



US00D435090S

United States Patent [19]
Stout, Jr.

[11] **Patent Number: Des. 435,090**
[45] **Date of Patent: ** Dec. 12, 2000**

[54] **GASKET**

[75] Inventor: **William K. Stout, Jr.**, Mason, Ohio

[73] Assignee: **Eastern Sheet Metal, Inc.**, Cincinnati, Ohio

[**] Term: **14 Years**

[21] Appl. No.: **29/105,207**

[22] Filed: **May 20, 1999**

[51] **LOC (7) Cl.** **23-01**

[52] **U.S. Cl.** **D23/269**

[58] **Field of Search** D23/259, 269,
D23/393; 277/602, 608, 625, 626; 285/95,
109, 336, 910, 918

1,570,974	1/1926	Stevens .	
2,544,108	3/1951	Richardson .	
2,930,635	3/1960	Woodling .	
3,955,834	5/1976	Ahlrot .	
4,007,941	2/1977	Stancati .	
4,050,703	9/1977	Turesson et al. .	
5,405,174	4/1995	Sondén et al. .	
5,531,460	7/1996	Stefansson et al. .	
5,599,600	2/1997	Rau	285/918
5,649,662	7/1997	Krichau et al. .	

FOREIGN PATENT DOCUMENTS

13987	1/1974	Sweden .
17788	4/1976	Sweden .
19819	4/1977	Sweden .
25473	4/1980	Sweden .
25610	4/1980	Sweden .
16059	7/1980	Sweden .
26995	12/1980	Sweden .

[56] **References Cited**

U.S. PATENT DOCUMENTS

D. 25,709	6/1896	Pratt .	
D. 234,847	4/1975	Hoffman .	
D. 273,702	5/1984	Widerby et al. .	
D. 360,018	7/1995	Sondén et al. .	
D. 360,019	7/1995	Sondén et al. .	
D. 360,020	7/1995	Sondén et al. .	
D. 360,021	7/1995	Sondén et al. .	
D. 361,829	8/1995	Sondén et al. .	
D. 362,299	9/1995	Sondén et al. .	
D. 362,300	9/1995	Sondén et al. .	
D. 363,115	10/1995	Lenmartsson .	
D. 367,316	2/1996	Sondén et al. .	
D. 368,304	3/1996	Morrison .	
D. 377,829	2/1997	Andresen	D23/393
D. 383,053	9/1997	Schrader et al. .	
D. 383,195	9/1997	Sondén et al. .	
D. 383,196	9/1997	Sondén et al. .	
D. 386,246	11/1997	Sondén et al. .	
D. 402,354	12/1998	Strong et al. .	
D. 407,802	4/1999	Hatfield et al. .	
1,565,918	12/1925	Fitzgerald	285/910

OTHER PUBLICATIONS

Ducts and Fittings Product Brochure, Lindab Ltd., Northampton, Great Britain (undated).

Primary Examiner—Alan P. Douglas
Assistant Examiner—Reid Hecker
Attorney, Agent, or Firm—Dinsmore & Shohl LLP

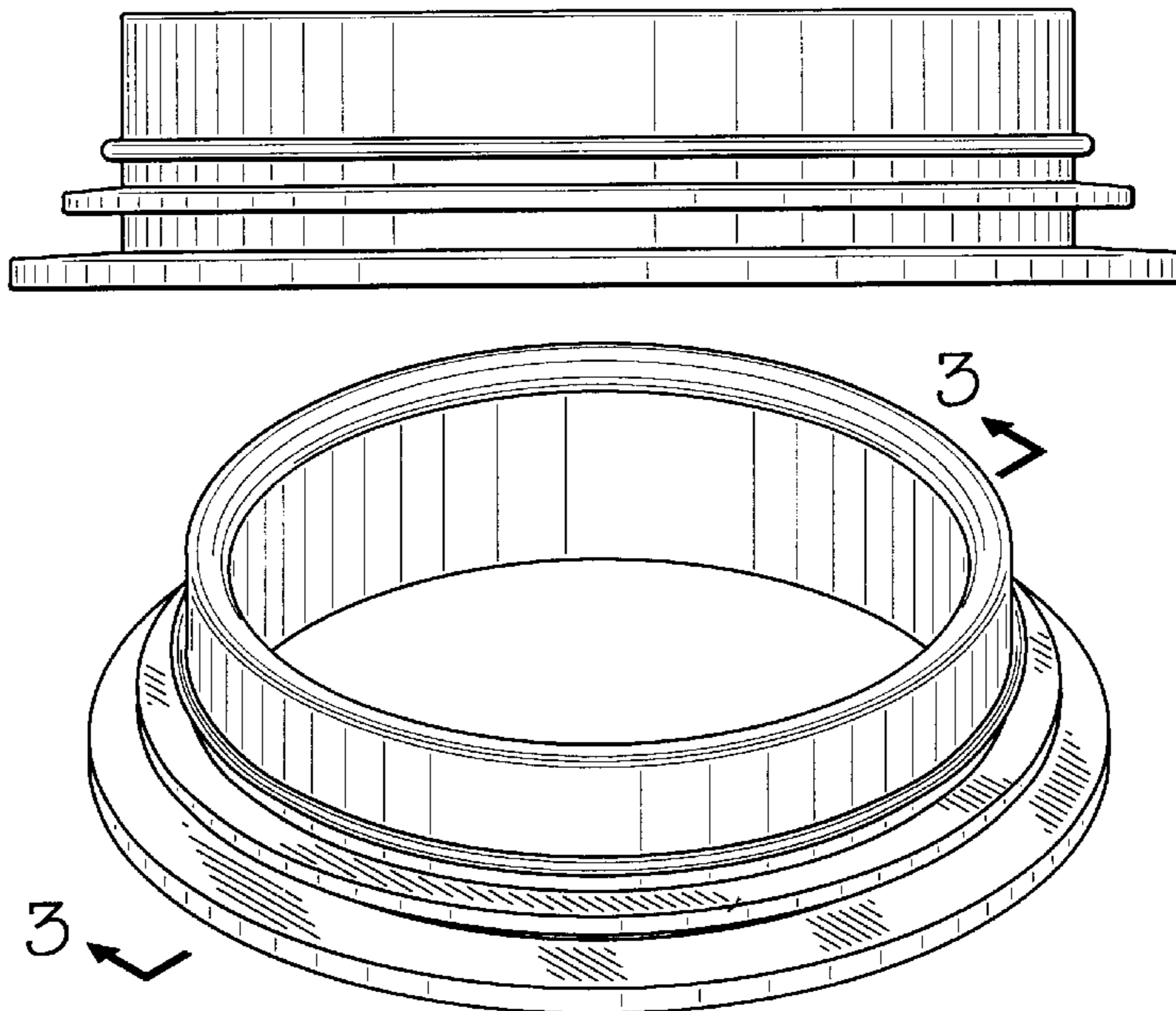
[57] **CLAIM**

I claim the ornamental design for a gasket, as shown and described.

DESCRIPTION

FIG. 1 is a front plan view of the gasket;
FIG. 2 is a front perspective view of the gasket;
FIG. 3 is a front cross sectional view of the gasket taken along line 3—3 of FIG. 2;
FIG. 4 is a top plan view of the gasket; and,
FIG. 5 is a bottom plan view of the gasket.

1 Claim, 2 Drawing Sheets



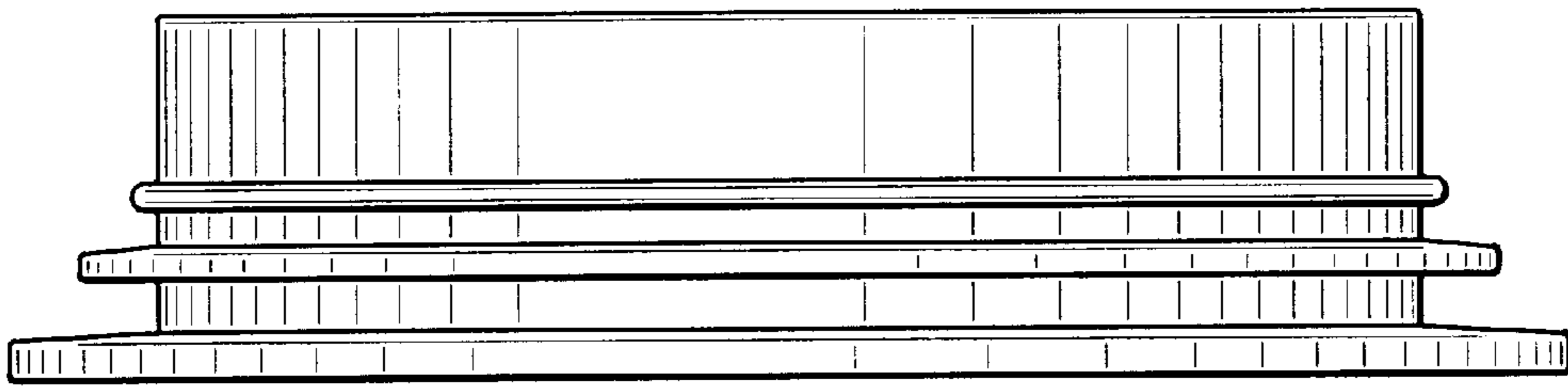


FIG. 1

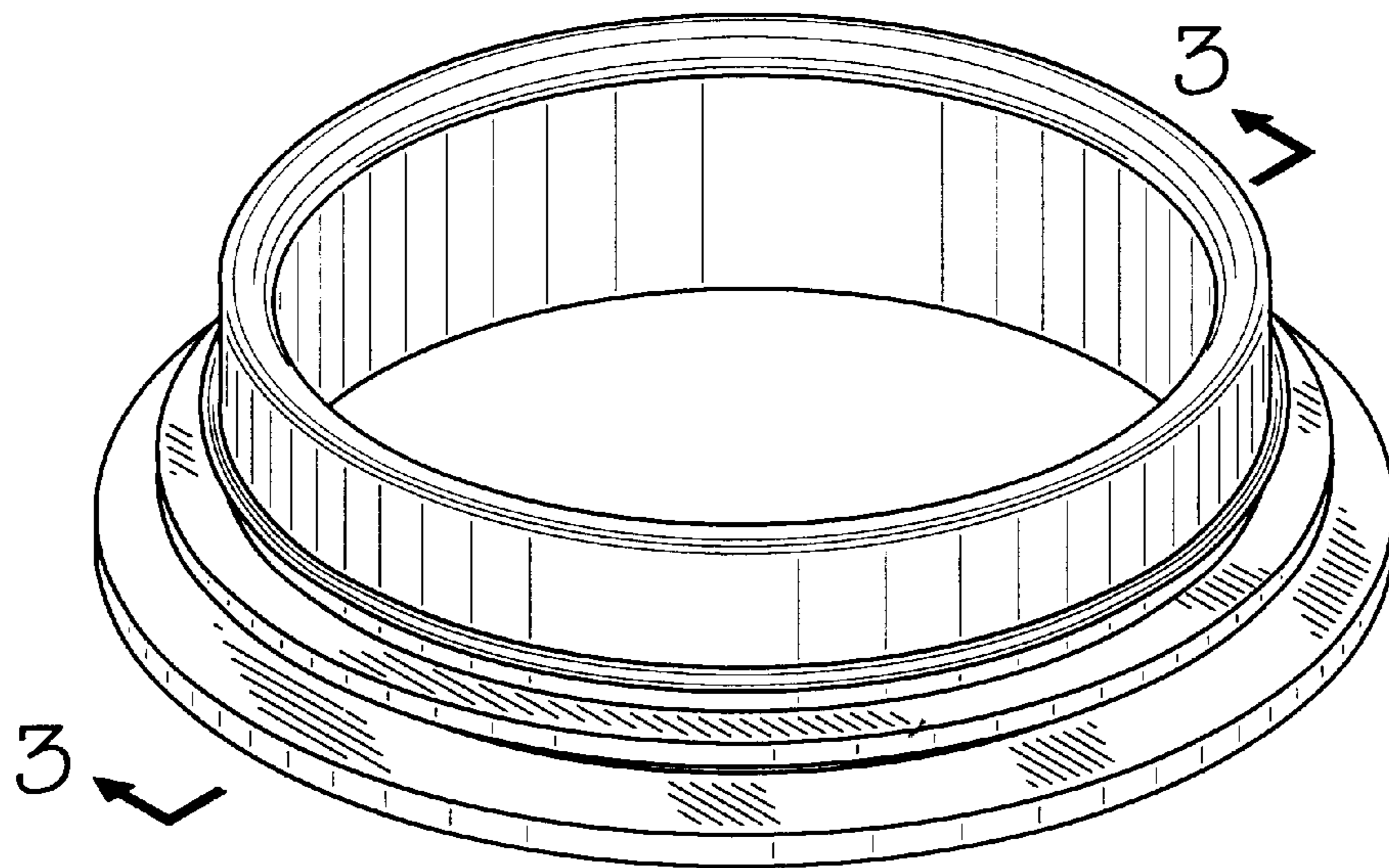


FIG. 2

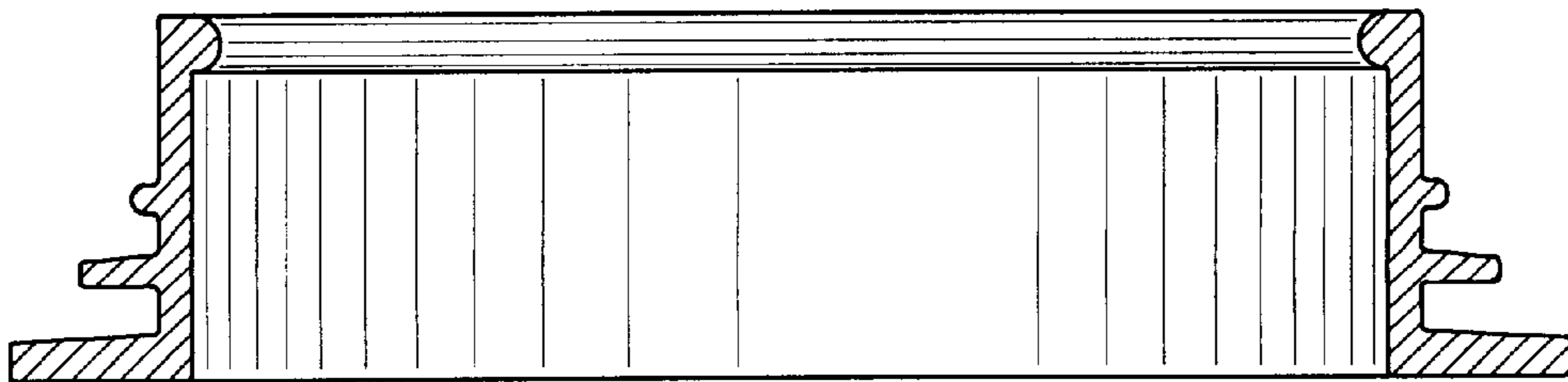


FIG. 3

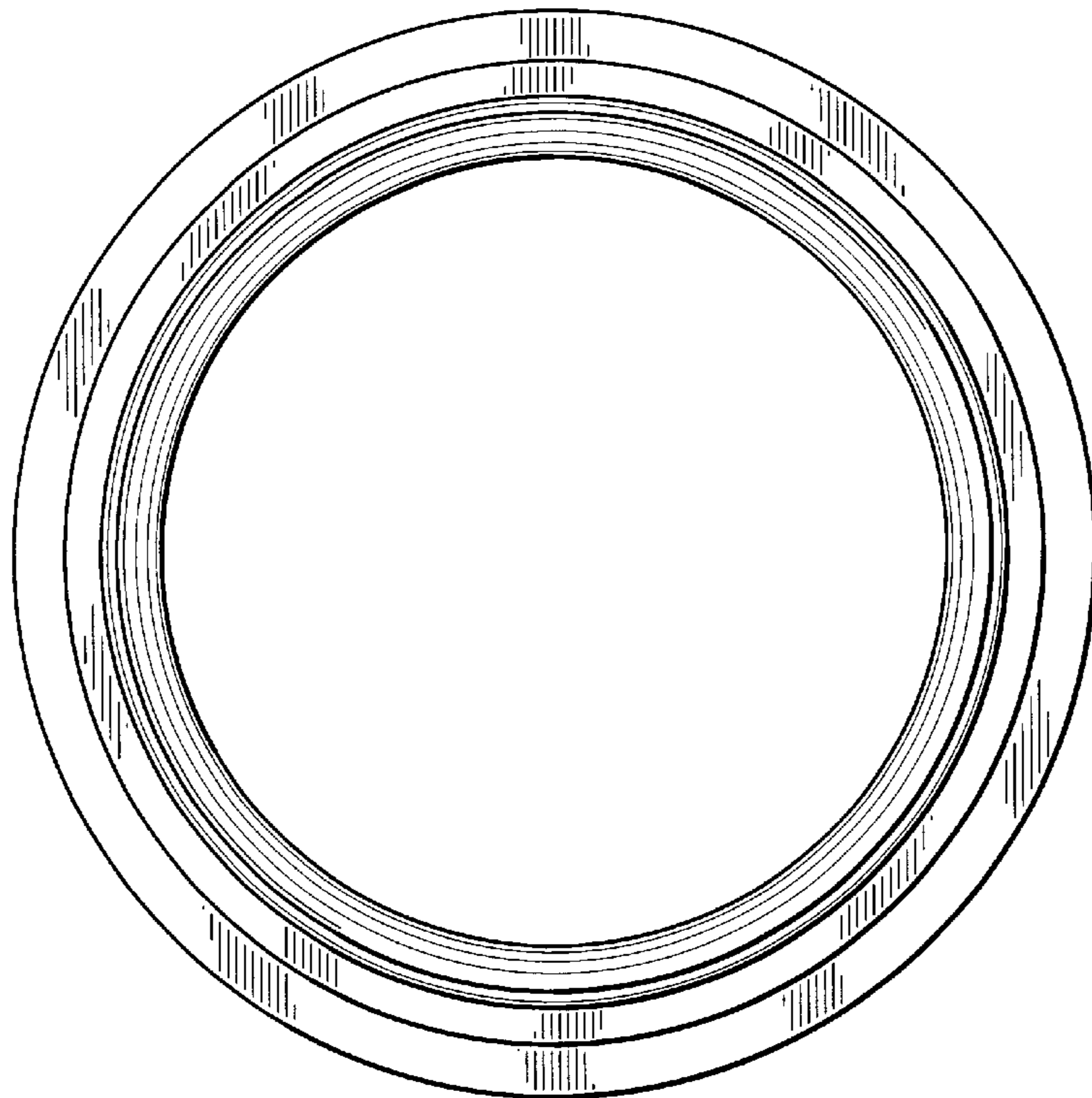


FIG. 4

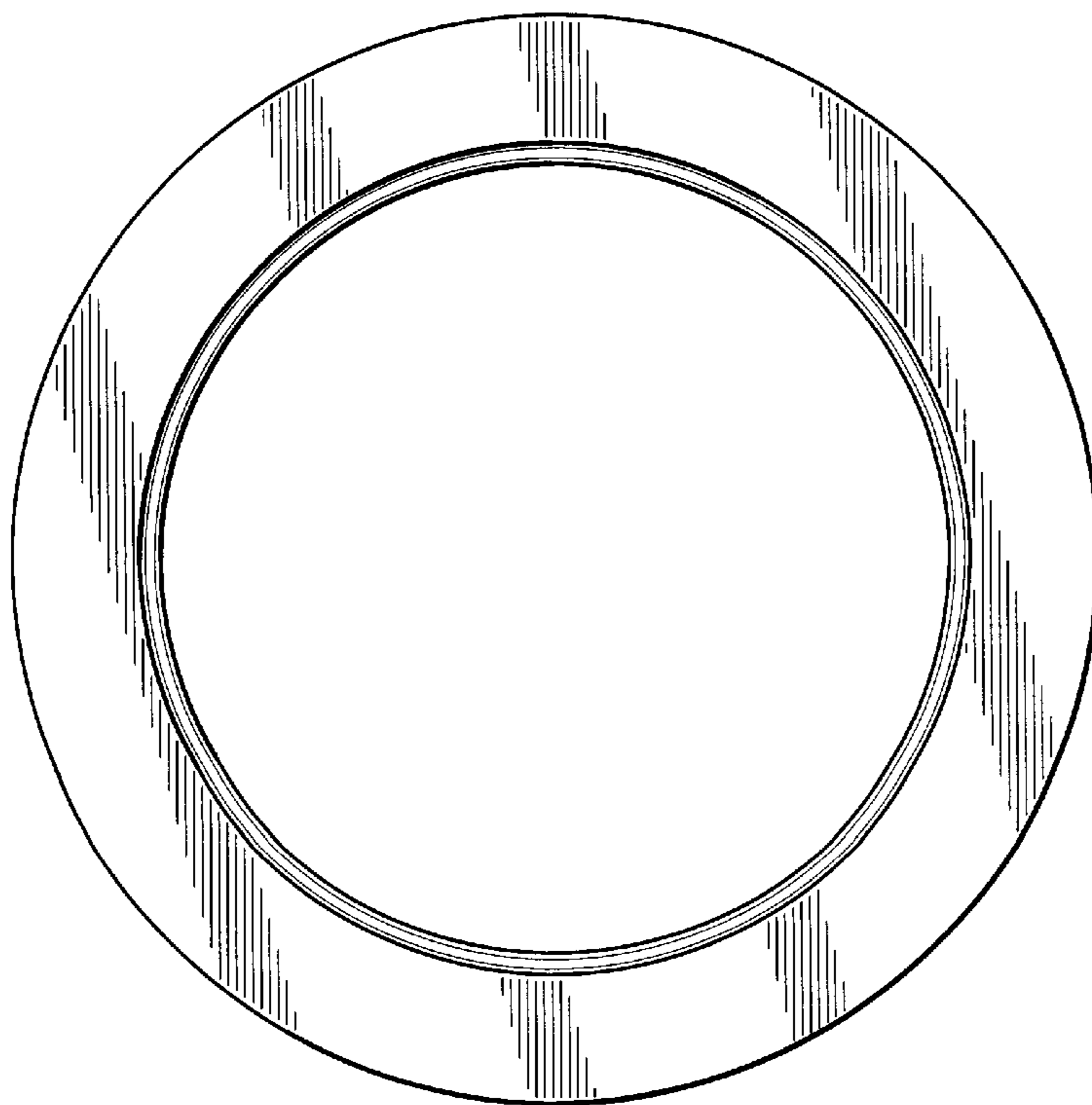


FIG. 5

UNITED STATES PATENT AND TRADEMARK OFFICE
CERTIFICATE OF CORRECTION

PATENT NO. : D 435,090

DATED : December 12, 2000

INVENTOR(S) : William K. Stout, Jr.

It is certified that error appears in the above-identified patent and that said Letters Patent is hereby corrected as shown below:

On the title page:

Foreign Patent Documents Item [30] "16059" should read --26059--

Signed and Sealed this
Fifteenth Day of May, 2001



Attest:

NICHOLAS P. GODICI

Attesting Officer

Acting Director of the United States Patent and Trademark Office

UNITED STATES PATENT AND TRADEMARK OFFICE
CERTIFICATE OF CORRECTION

PATENT NO. : Des. 435, 090
DATED : December 12, 2000
INVENTOR(S) : Willim K. Stout, Jr.

Page 1 of 1

It is certified that error appears in the above-identified patent and that said Letters Patent is hereby corrected as shown below:

On the Title Page:
Foreign Patent Documents Item [56] "16059" should read -- 26059 --

This certificate supercedes Certificate of Correction issued May 15, 2001

Signed and Sealed this

Twenty-fourth Day of July, 2001

Nicholas P. Godici

Attest:

Attesting Officer

NICHOLAS P. GODICI
Acting Director of the United States Patent and Trademark Office