



US00D435089S

# United States Patent [19]

Meda

[11] **Patent Number: Des. 435,089**

[45] **Date of Patent: \*\* Dec. 12, 2000**

[54] **FAUCET**

[75] **Inventor: Alberto Meda, Milan, Italy**

[73] **Assignee: American Standard Inc., Piscataway, N.J.**

[\*\*] **Term: 14 Years**

[21] **Appl. No.: 29/102,406**

[22] **Filed: Mar. 24, 1999**

### [30] Foreign Application Priority Data

Sep. 25, 1998 [IT] Italy ..... RE9800014

[51] **LOC (7) Cl. .... 23-01**

[52] **U.S. Cl. .... D23/241**

[58] **Field of Search ..... D23/238-257;  
D8/300-310; 4/675-678; 137/801**

### [56] References Cited

#### U.S. PATENT DOCUMENTS

- D. 157,018 1/1950 Young ..... D23/241
- D. 171,572 3/1954 Baker, Jr. .... D23/241
- D. 237,082 10/1975 Keller, III ..... D23/241

- D. 258,676 3/1981 Colani ..... D23/241
- D. 267,109 11/1982 Fabian ..... D23/241
- D. 347,264 5/1994 Gottwald ..... D23/238
- D. 359,796 6/1995 Formgren ..... D23/241
- D. 409,727 1/1999 Lobermeier ..... D23/238
- D. 421,290 2/2000 Meda ..... D23/241
- D. 426,289 6/2000 Levine ..... D23/242

*Primary Examiner*—Louis S. Zarfaz  
*Assistant Examiner*—Gregory Andoll

### [57] CLAIM

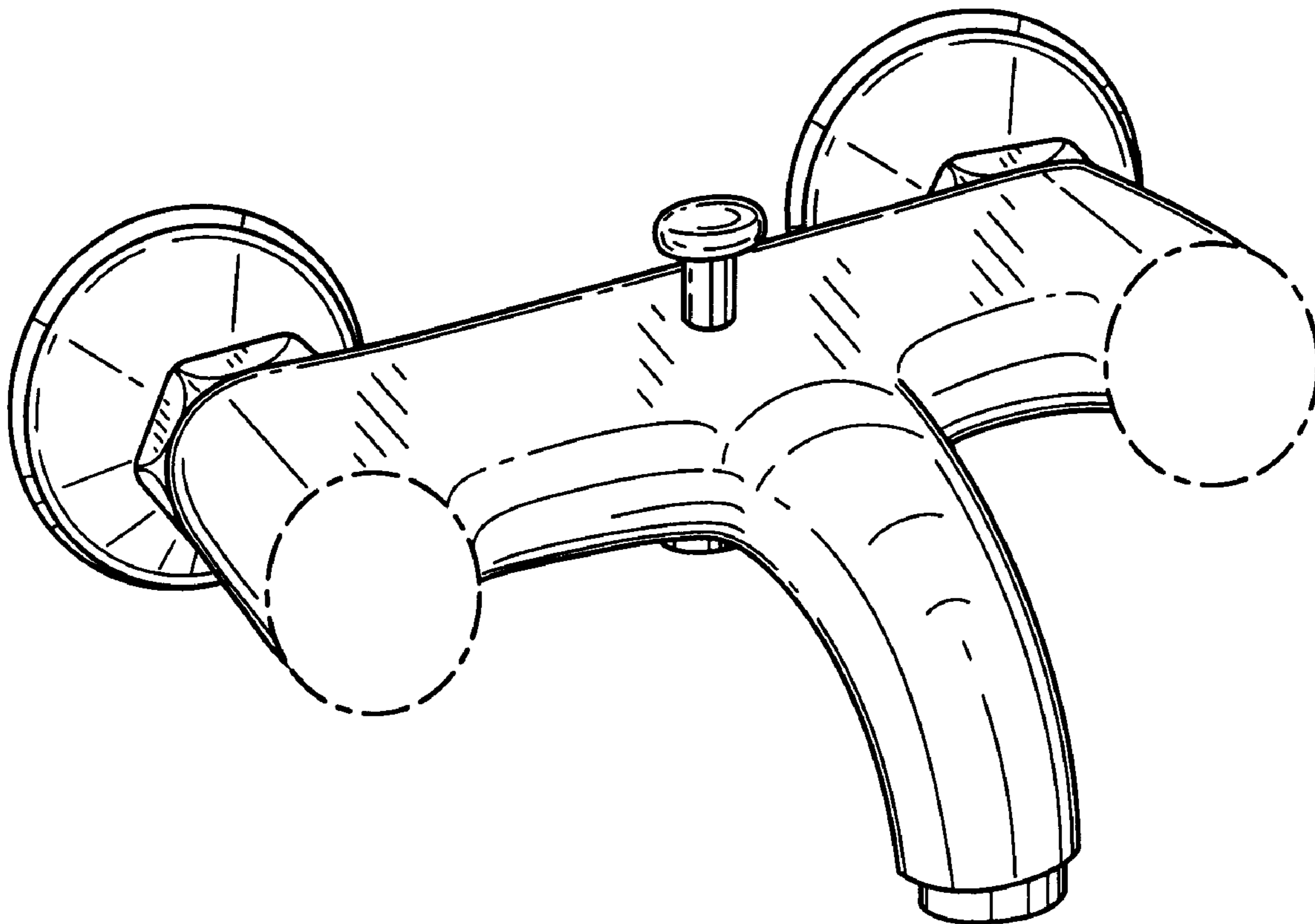
The ornamental design for a faucet, as shown and described.

### DESCRIPTION

FIG. 1 is a front, top and right side perspective view of a faucet showing my new design;  
FIG. 2 is a top plan view thereof;  
FIG. 3 is a bottom plan view thereof;  
FIG. 4 is a left side elevational view thereof, the right side view being a mirror image of the left side; and,  
FIG. 5 is a front view thereof.

The broken line showing is for illustrative purposes only and forms no part of the claimed design.

**1 Claim, 3 Drawing Sheets**



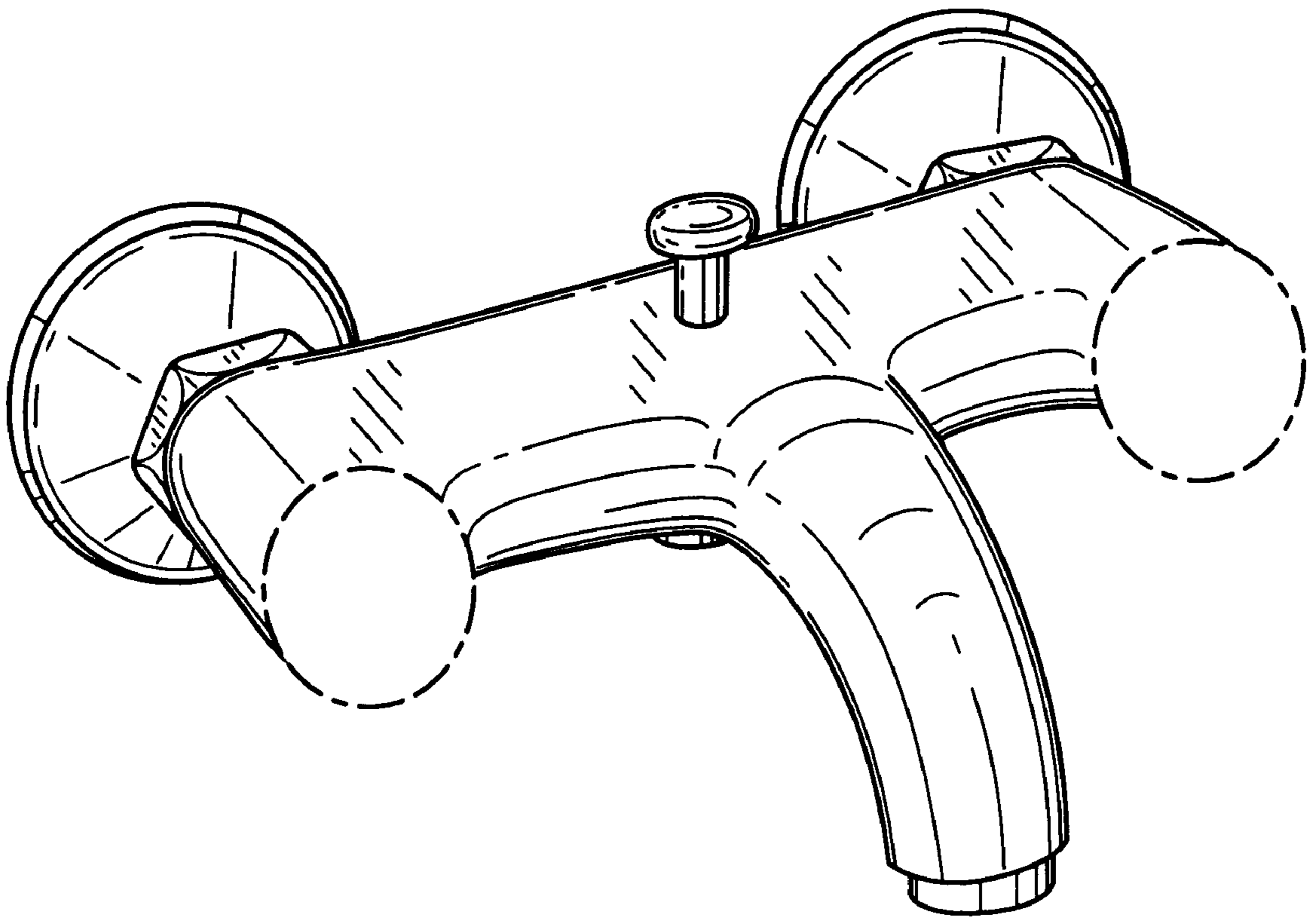


FIG. 1

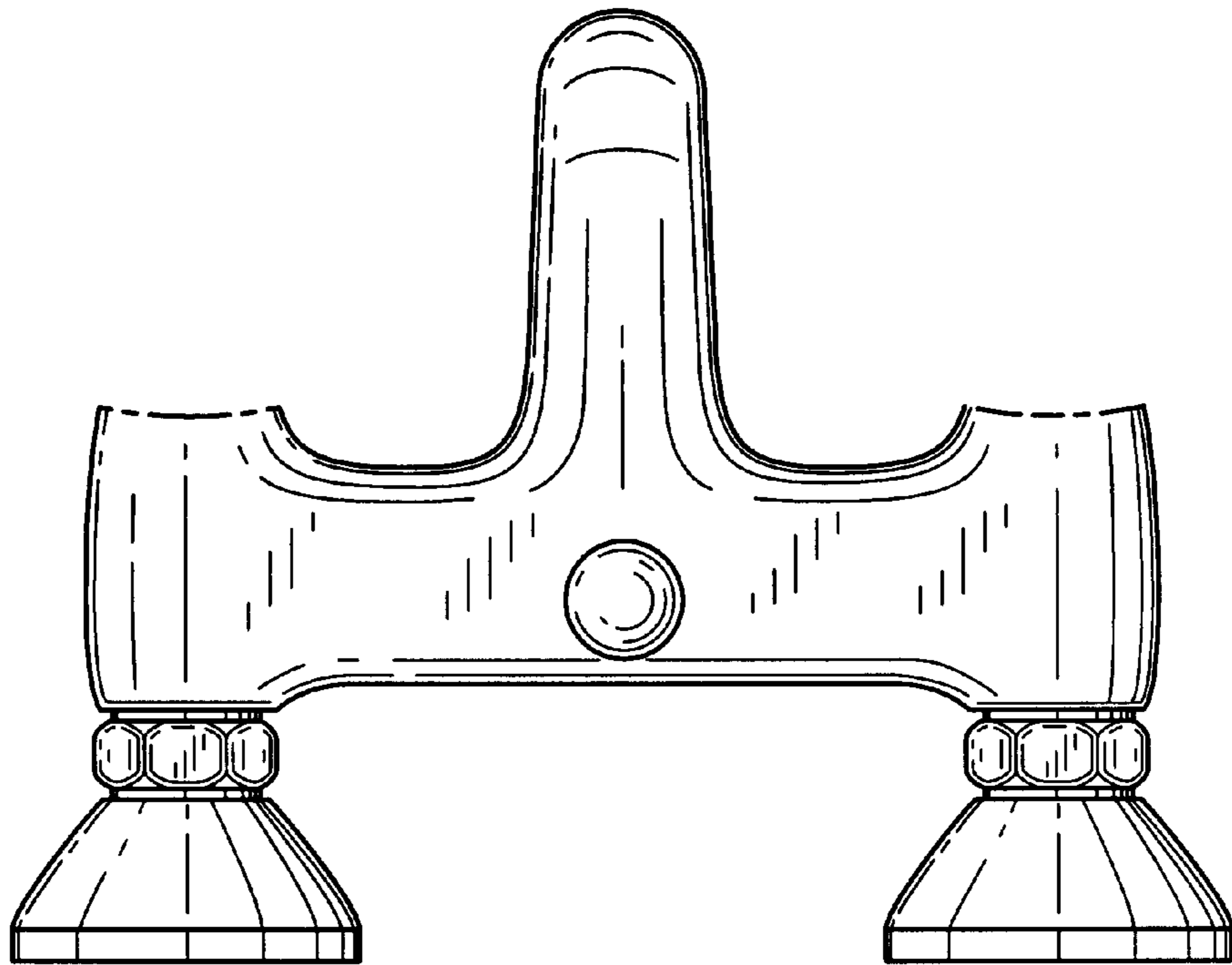


FIG. 2

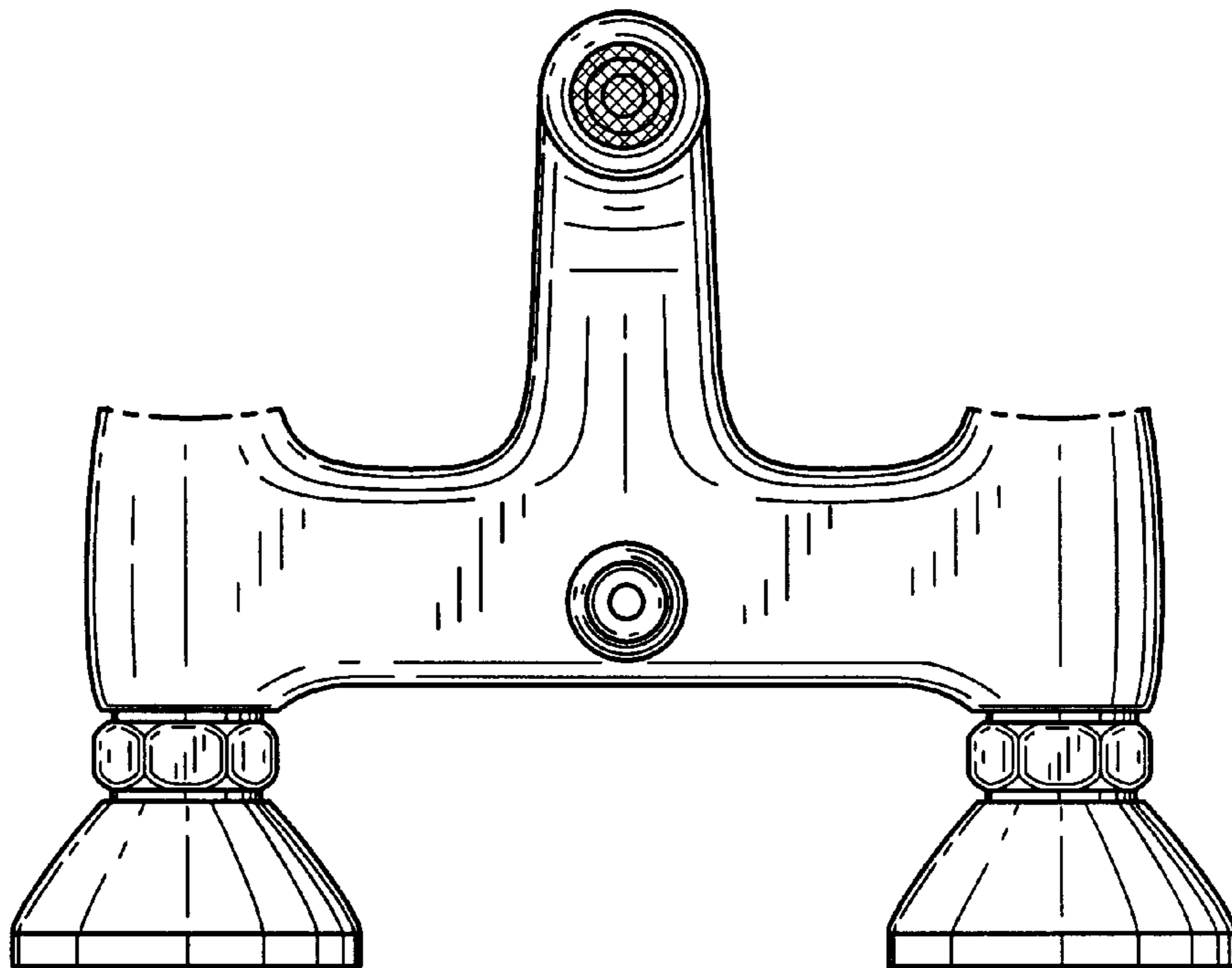


FIG. 3

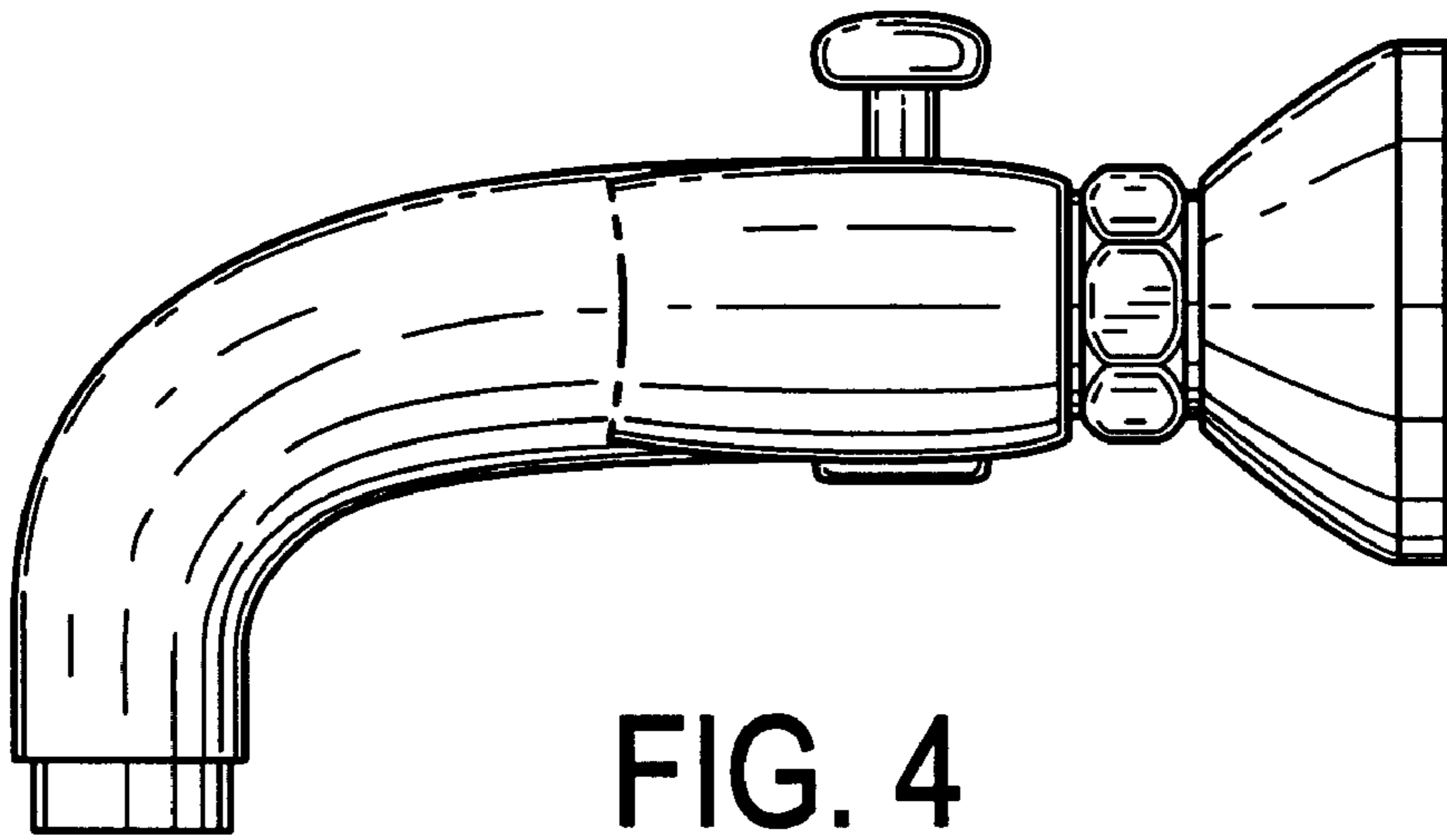


FIG. 4

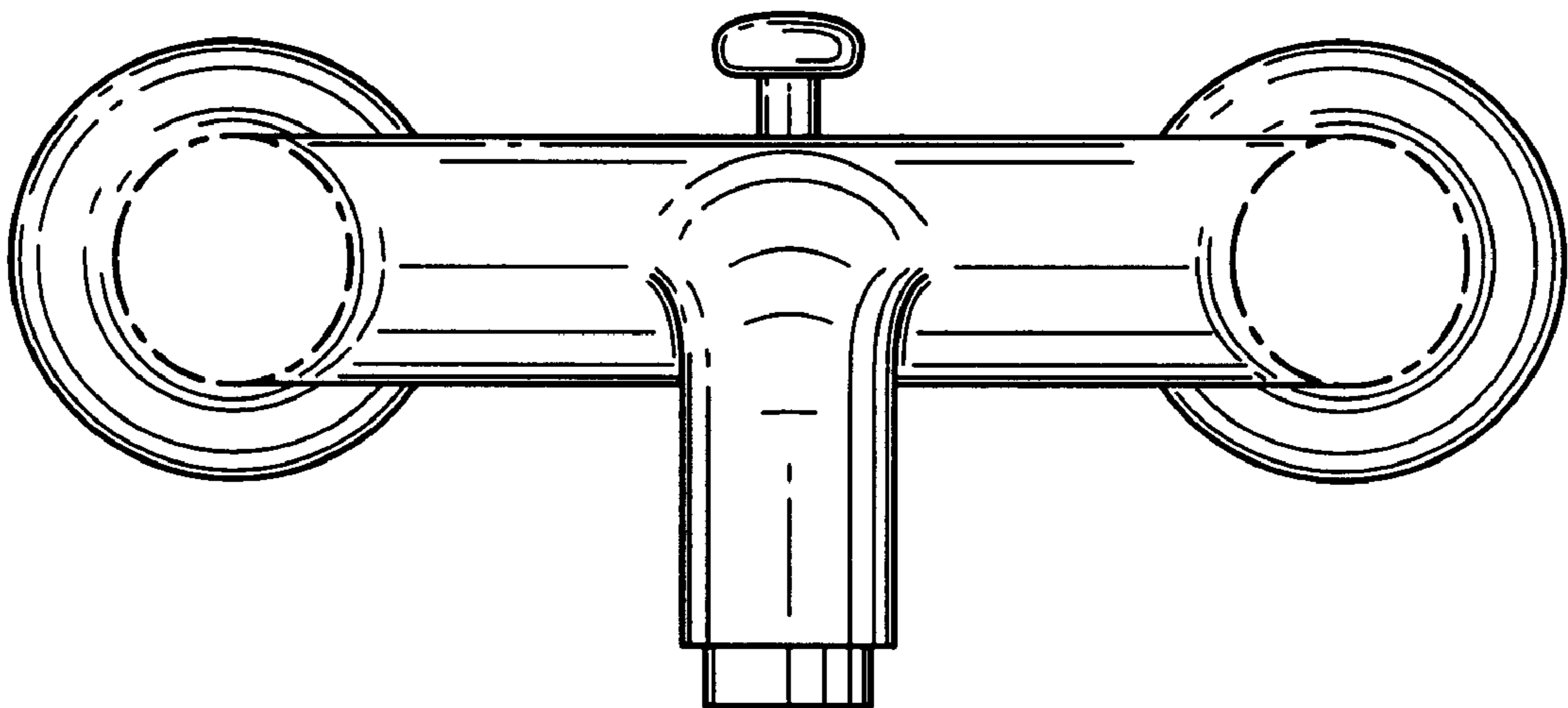


FIG. 5