



US00D435087S

# United States Patent [19]

[11] Patent Number: Des. 435,087

Beaver et al.

[45] Date of Patent: \*\* Dec. 12, 2000

[54] VALVE SEAL

[75] Inventors: **Larry Gene Beaver**, Lake Park, Ga.;  
**Mark T. MacLean-Blevins**,  
Westminster, Md.

[73] Assignee: **Griffin LLC**, Valdosta, Ga.

[\*\*] Term: **14 Years**

[21] Appl. No.: **29/111,584**

[22] Filed: **Sep. 30, 1999**

[51] **LOC (7) Cl.** ..... **23-01**

[52] **U.S. Cl.** ..... **D23/233**

[58] **Field of Search** ..... D23/233-237,  
D23/244-5; 137/884, 269

5,152,461	10/1992	Proctor .
5,213,265	5/1993	Englhard et al. .
5,223,168	6/1993	Holt .
5,290,470	3/1994	Dutcher .
5,320,288	6/1994	Ketcham, Jr. .
5,332,157	7/1994	Proctor .
5,370,275	12/1994	Mills et al. .
5,376,296	12/1994	Dutcher .
5,383,603	1/1995	Englhard et al. .
5,385,270	1/1995	Cataneo et al. .
5,398,846	3/1995	Corba et al. .
5,402,916	4/1995	Nottingham et al. .
5,433,350	7/1995	Graubart .
5,439,141	8/1995	Clark et al. .
5,467,900	11/1995	Maas et al. .
5,472,119	12/1995	Park et al. .
5,535,950	7/1996	Barriac et al. .
5,560,545	10/1996	Grogan et al. .
5,562,250	10/1996	O'Neill .
5,564,600	10/1996	Renault .
5,566,860	10/1996	Schiltz et al. .
5,567,247	10/1996	Hawes et al. .
5,586,695	12/1996	Labus et al. .
5,595,345	1/1997	Chura et al. .
5,605,578	2/1997	Hawes et al. .
5,626,259	5/1997	Maas et al. .

[56] **References Cited**

**U.S. PATENT DOCUMENTS**

D. 356,026	3/1995	Iaia et al. .
2,646,063	7/1953	Hayes .
3,104,813	9/1963	Baatrup .
3,104,825	9/1963	Hayes .
3,106,347	10/1963	Hayes .
3,181,797	5/1965	Hayes .
3,201,049	8/1965	Hayes .
3,381,899	5/1968	Forsman .
4,057,505	11/1977	Nakagawa et al. .
4,071,463	1/1978	Steinhauer .
4,113,645	9/1978	DeSimone .
4,116,851	9/1978	Rupe et al. .
4,355,739	10/1982	Vierkotter .
4,489,890	12/1984	Martin .
4,527,741	7/1985	Garneau .
4,570,856	2/1986	Groth et al. .
4,618,077	10/1986	Corsette .
4,747,523	5/1988	Dobbs .
4,789,495	12/1988	Cahall et al. .
4,801,046	1/1989	Miczka .
4,806,263	2/1989	Leathers et al. .
4,964,539	10/1990	Mueller .
5,009,342	4/1991	Lawrence et al. .
5,039,016	8/1991	Gunzel, Jr. et al. .
5,052,590	10/1991	Ratcliff .
5,086,803	2/1992	Nakajima ..... 137/884
5,100,059	3/1992	Englhard et al. .
5,143,261	9/1992	Drobish .

(List continued on next page.)

*Primary Examiner*—Robin V. Taylor  
*Attorney, Agent, or Firm*—Jones & Askew LLP

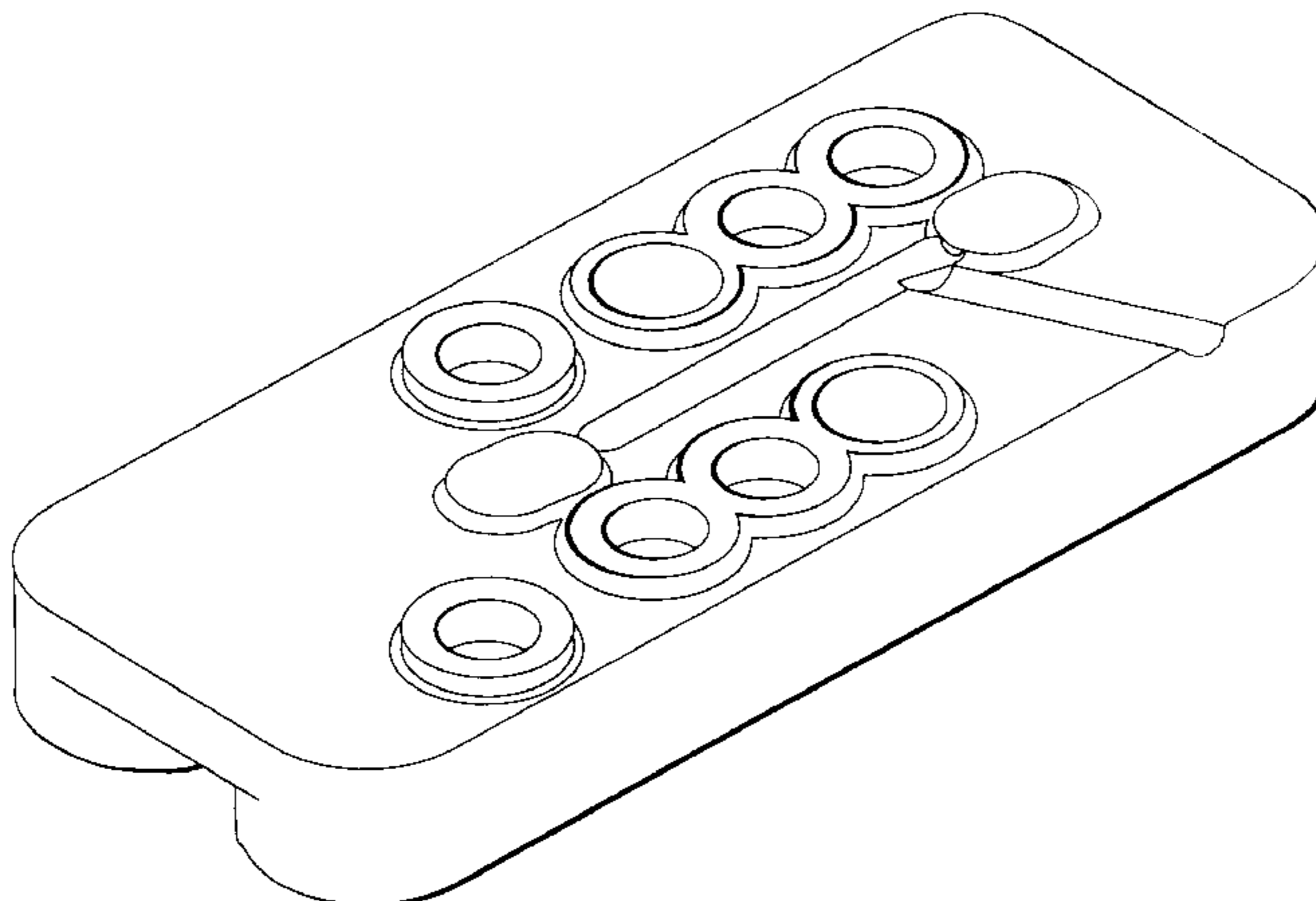
[57] **CLAIM**

The ornamental design for a valve seal, as shown.

**DESCRIPTION**

FIG. 1 is a perspective view of an embodiment of our new valve seal;  
FIG. 2 is a left side view of the valve seal shown in FIG. 1;  
FIG. 3 is an right side view of the valve seal shown in FIG. 1;  
FIG. 4 is an end view of the valve seal shown in FIG. 1;  
FIG. 5 is a top plan view of the valve seal shown in FIG. 1;  
and,  
FIG. 6 is a bottom plan view of the valve seal shown in FIG. 1.

**1 Claim, 2 Drawing Sheets**



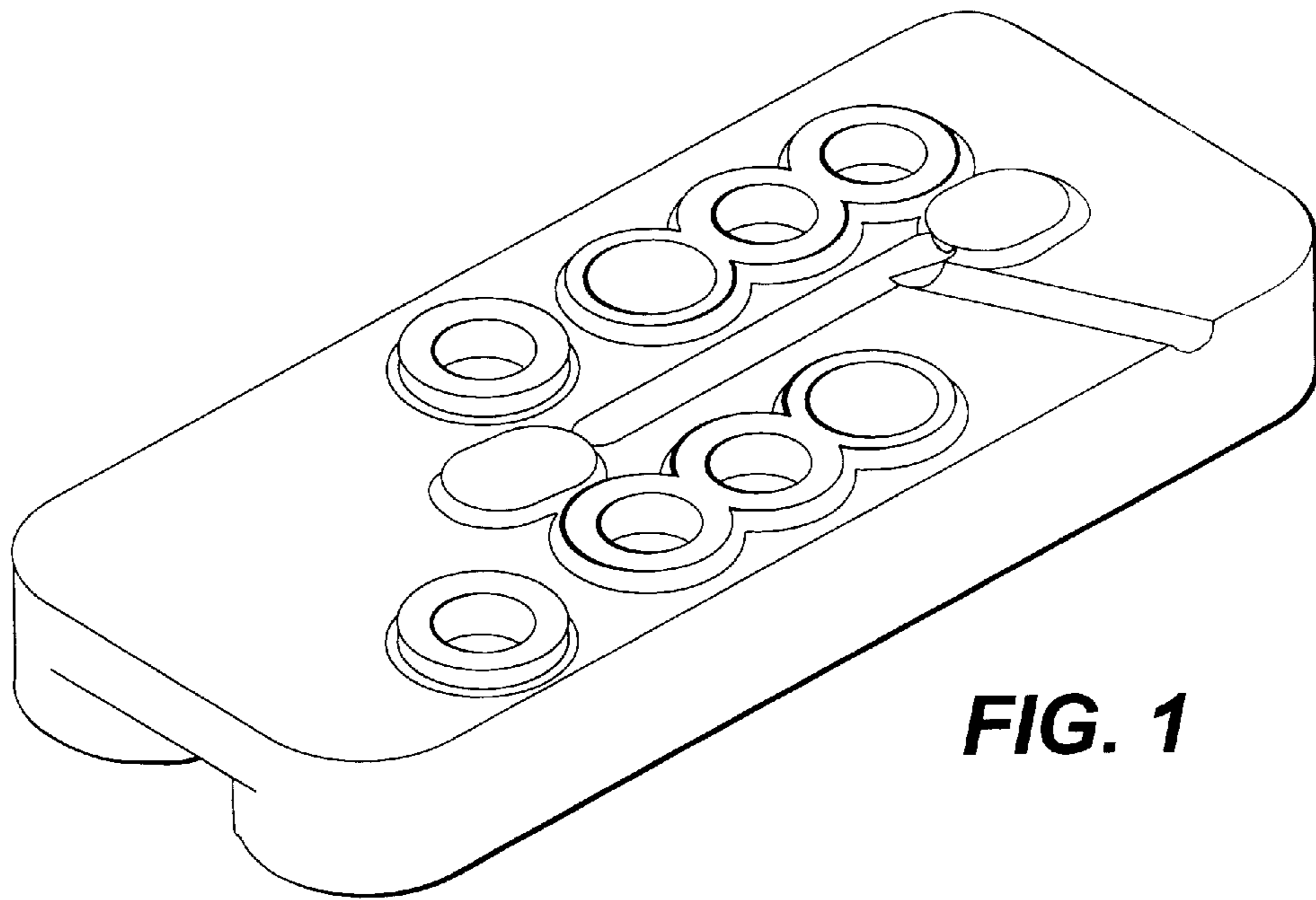
# Des. 435,087

Page 2

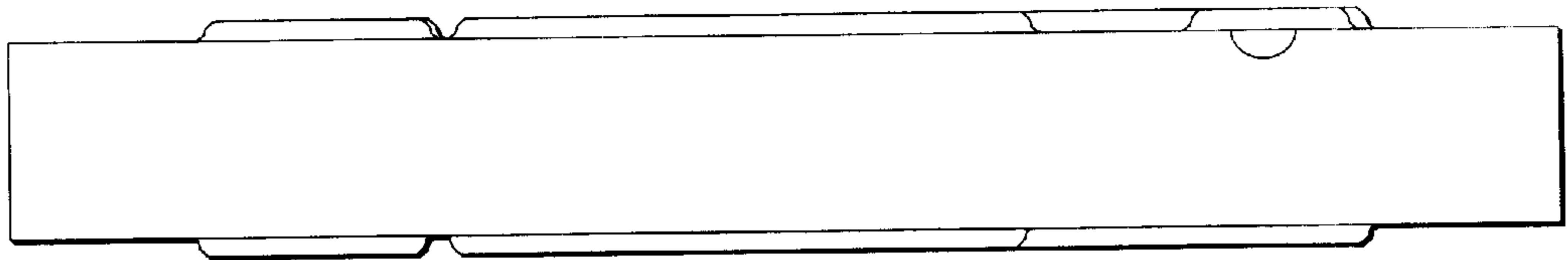
---

## U.S. PATENT DOCUMENTS

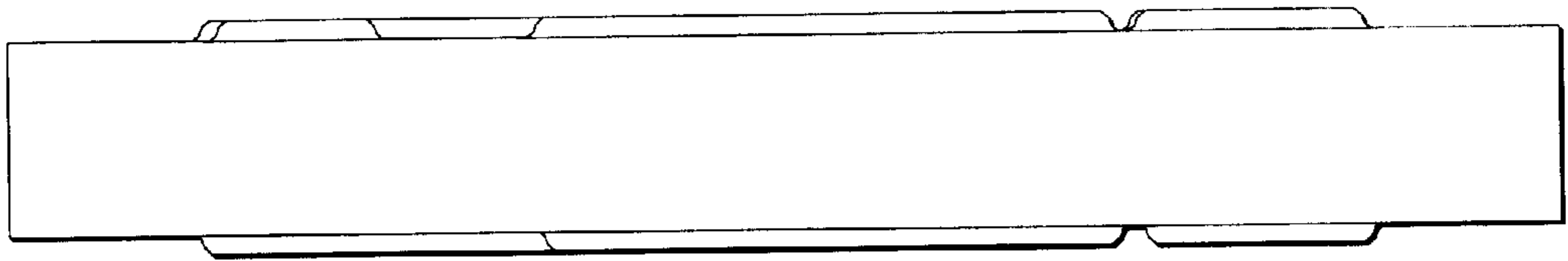
			5,735,422	4/1998	Binter .	
5,676,280	10/1997	Robinson .	5,848,607	12/1998	Bell et al. ....	137/884
5,676,282	10/1997	Satterfield .	5,944,056	8/1999	Miyazoe et al. ....	137/884
5,713,519	2/1998	Sandison et al. .	5,992,463	11/1999	Redemann et al. ....	137/884



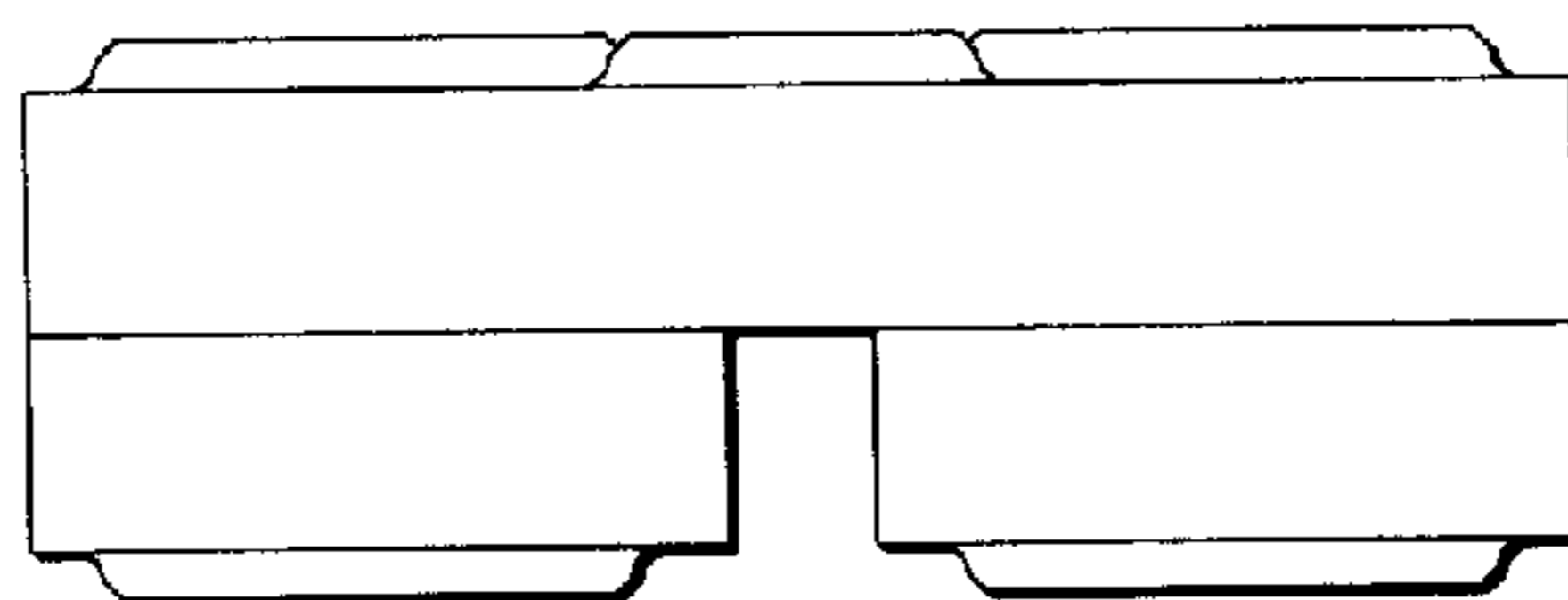
**FIG. 1**



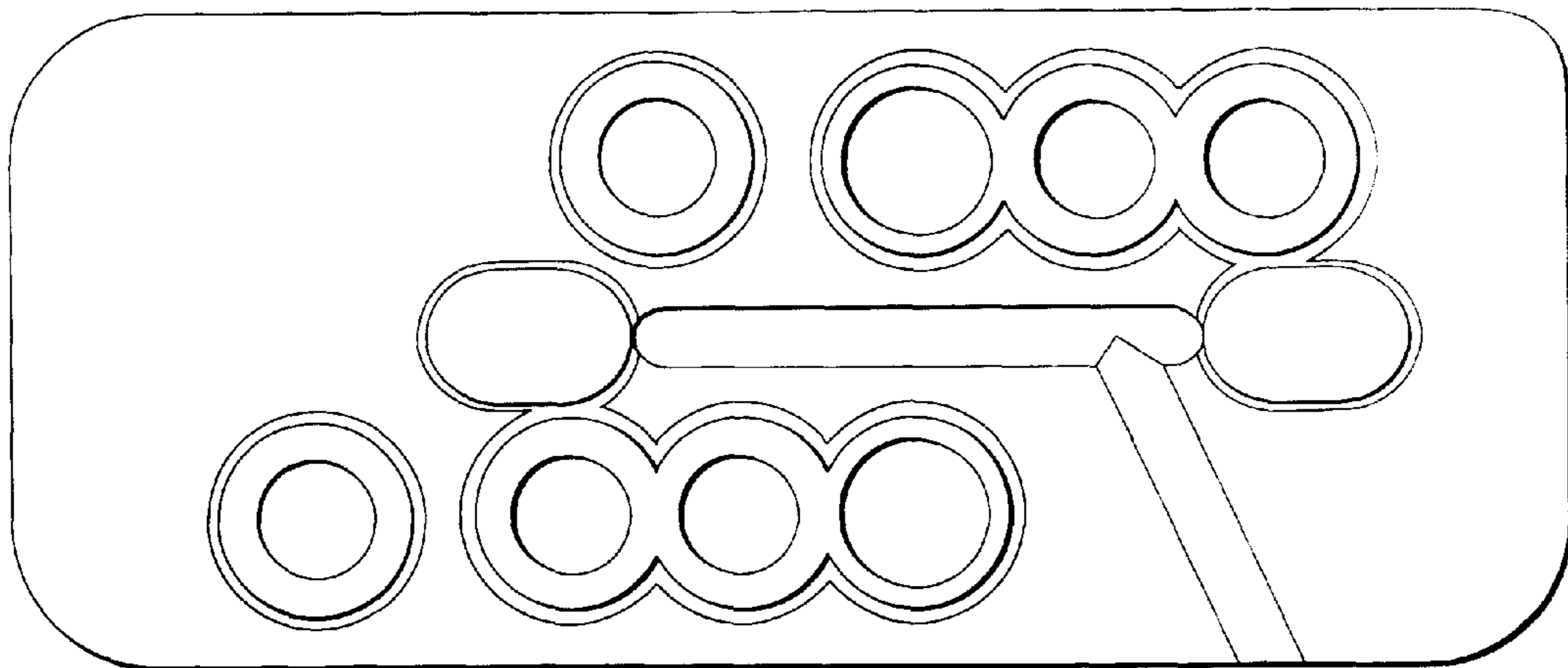
**FIG. 2**



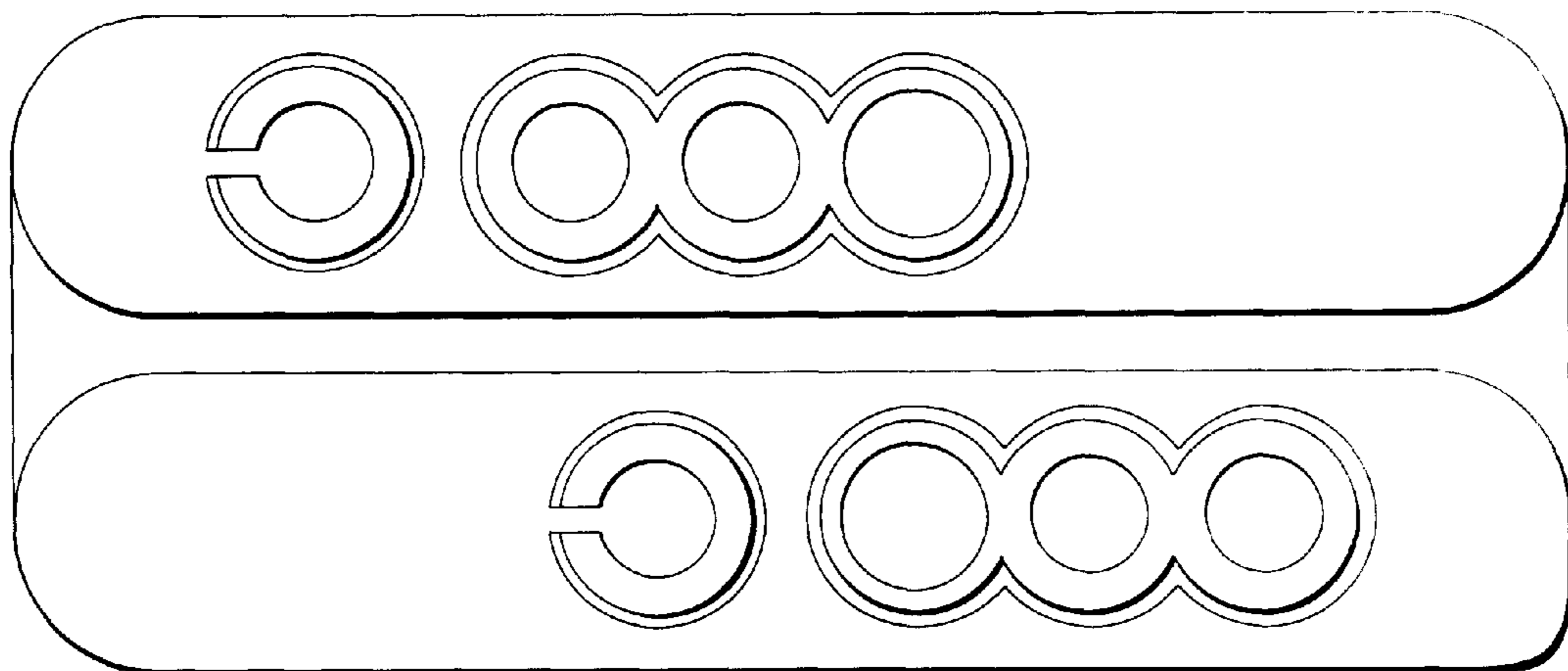
**FIG. 3**



**FIG. 4**



**FIG. 5**



**FIG. 6**