



US00D435086S

United States Patent [19]

Loper

[11] **Patent Number: Des. 435,086**

[45] **Date of Patent: ** Dec. 12, 2000**

[54] **INTERCHANGEABLE CUSTOMIZABLE SHOWER SYSTEM**

[76] Inventor: **Scott R. Loper**, 9908 Saw Mill Rd., Charlotte, N.C. 28278

[**] Term: **14 Years**

[21] Appl. No.: **29/103,477**

[22] Filed: **Apr. 15, 1999**

1,354,838	10/1920	Perkins	4/601
1,572,275	2/1926	Ewing	4/601
3,971,074	7/1976	Yxfeldt	4/601
5,148,556	9/1992	Bottoms et al.	4/601
5,692,252	12/1997	Zwezdaryk	4/601

Related U.S. Application Data

[63] Continuation-in-part of application No. 29/078,441, Oct. 24, 1997, Pat. No. Des. 416,605.

[51] **LOC (7) Cl.** **23-01**

[52] **U.S. Cl.** **D23/228; D23/283**

[58] **Field of Search** D23/213, 228-230, D23/223, 226, 283, 303, 304; 4/596, 601; 239/394, 459-461

References Cited

U.S. PATENT DOCUMENTS

D. 416,605 11/1999 Loper D23/228

Primary Examiner—Robin V. Taylor
Attorney, Agent, or Firm—Dougherty & Associates

[57] CLAIM

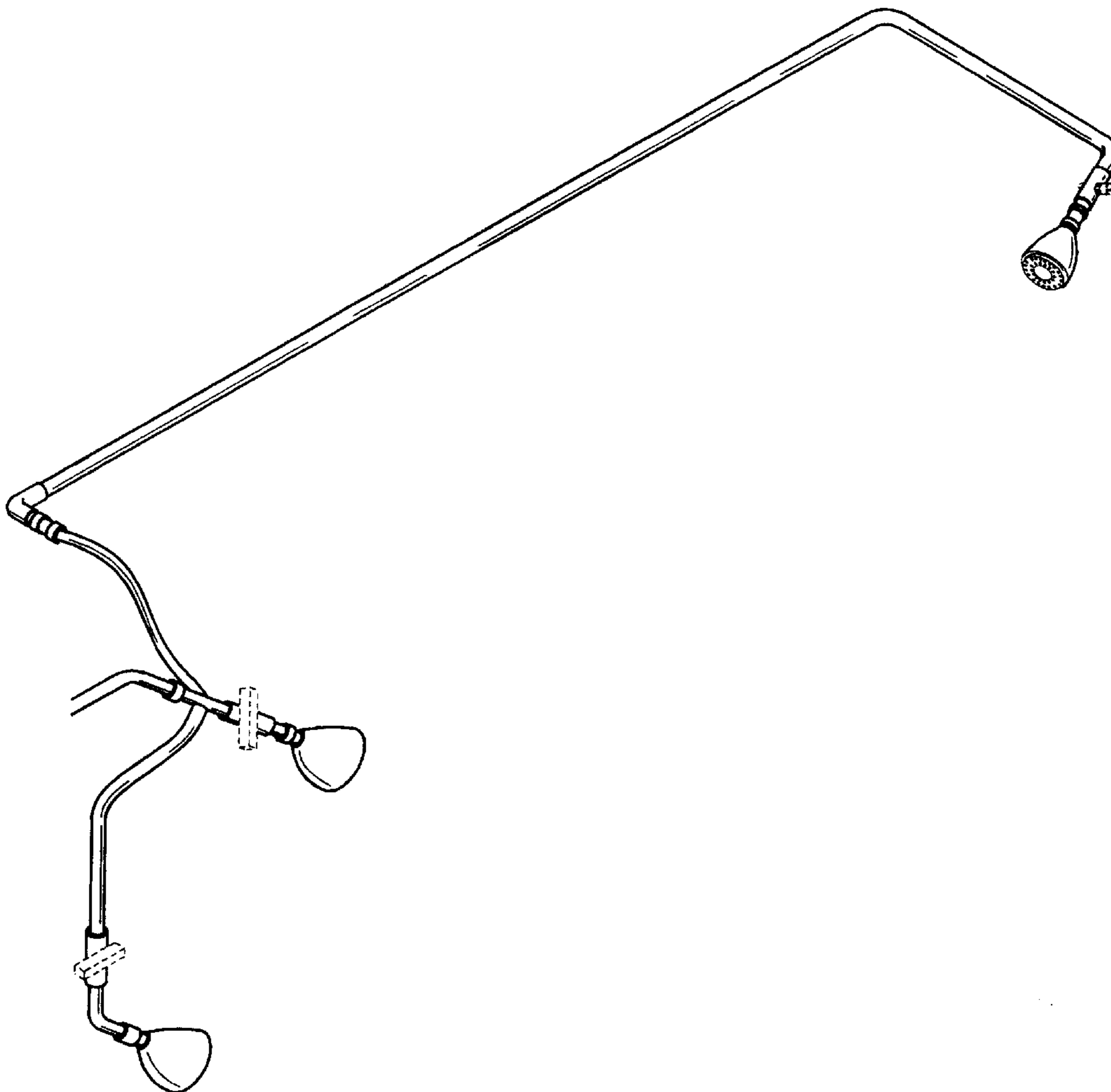
The ornamental design for an interchangeable customizable shower system, as shown and described.

DESCRIPTION

FIG. 1 is an isometric view of an interchangeable customizable shower system having two shower heads connected by a rigid hollow frame to a water source, and further connected to a remote third shower head.

The broken line showing of valve handles are for illustrative purposes only and form no part of the claimed design.

1 Claim, 1 Drawing Sheet



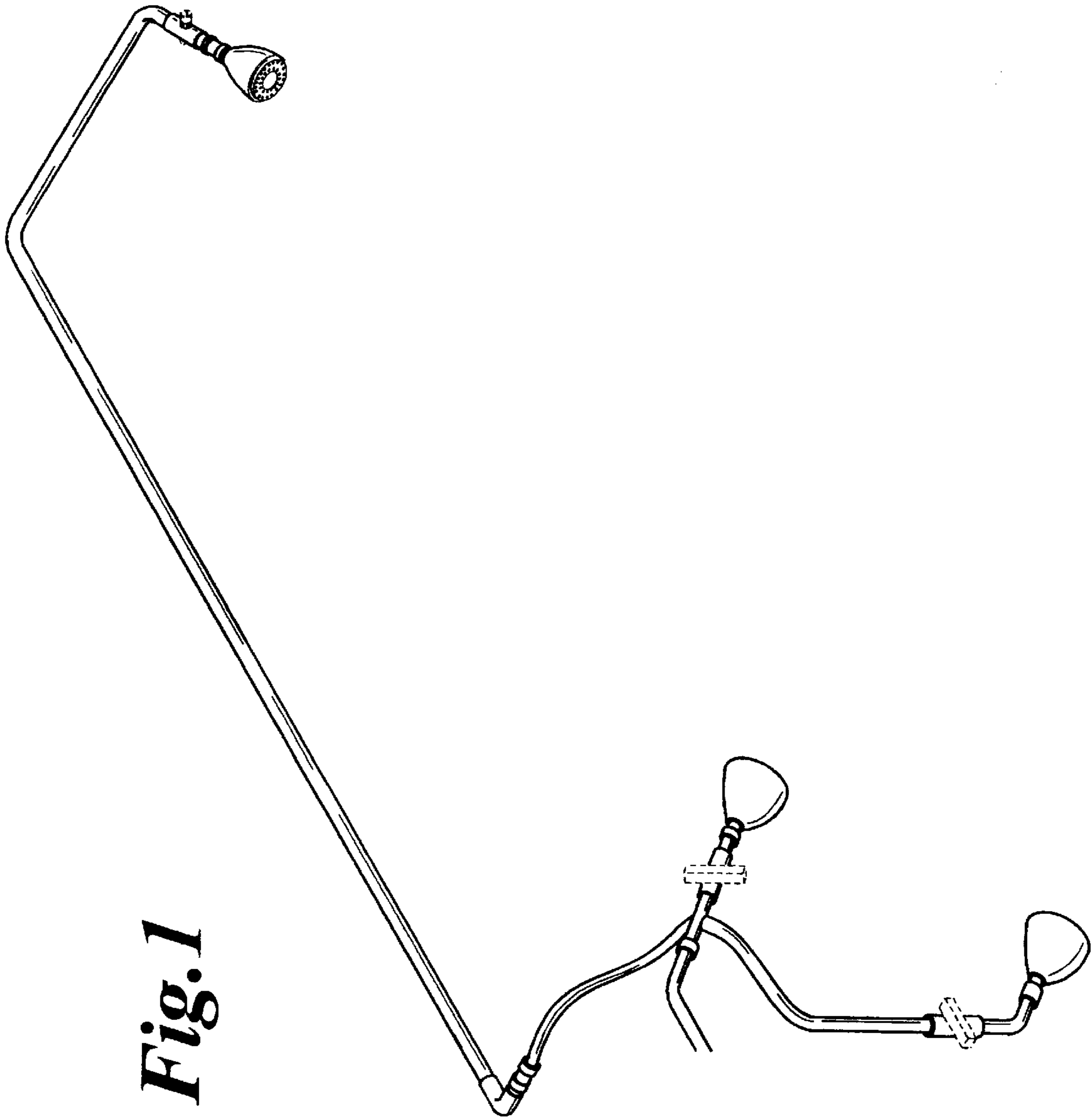


Fig. 1