



US00D435072S

United States Patent [19]
Jaeckel

[11] **Patent Number: Des. 435,072**

[45] **Date of Patent: ** Dec. 12, 2000**

[54] **GROOVED PUTTER HEAD**

[76] Inventor: **W. Jake Jaeckel**, 3445 Beekman Pl.,
Sarasota, Fla. 34235

[**] Term: **14 Years**

[21] Appl. No.: **29/101,286**

[22] Filed: **Feb. 26, 1999**

[51] **LOC (7) Cl.** **21-02**

[52] **U.S. Cl.** **D21/738**

[58] **Field of Search** D21/736-746;
473/250-256, 324, 329, 330, 331

[56] **References Cited**

U.S. PATENT DOCUMENTS

D. 218,108	7/1970	Wegener, Jr.	D21/738
D. 357,043	4/1995	Turner	D21/742
5,643,100	7/1997	Zabytko et al.	473/250

Primary Examiner—Mitchell Siegel
Attorney, Agent, or Firm—Roth & Goldman

[57] **CLAIM**

The ornamental design for a grooved putter head, as shown.

DESCRIPTION

FIG. 1 is a perspective view of a grooved putter head showing my new design, the broken line showing of the fragmented shaft is for illustrative purposes only and forms no part of the claimed design.

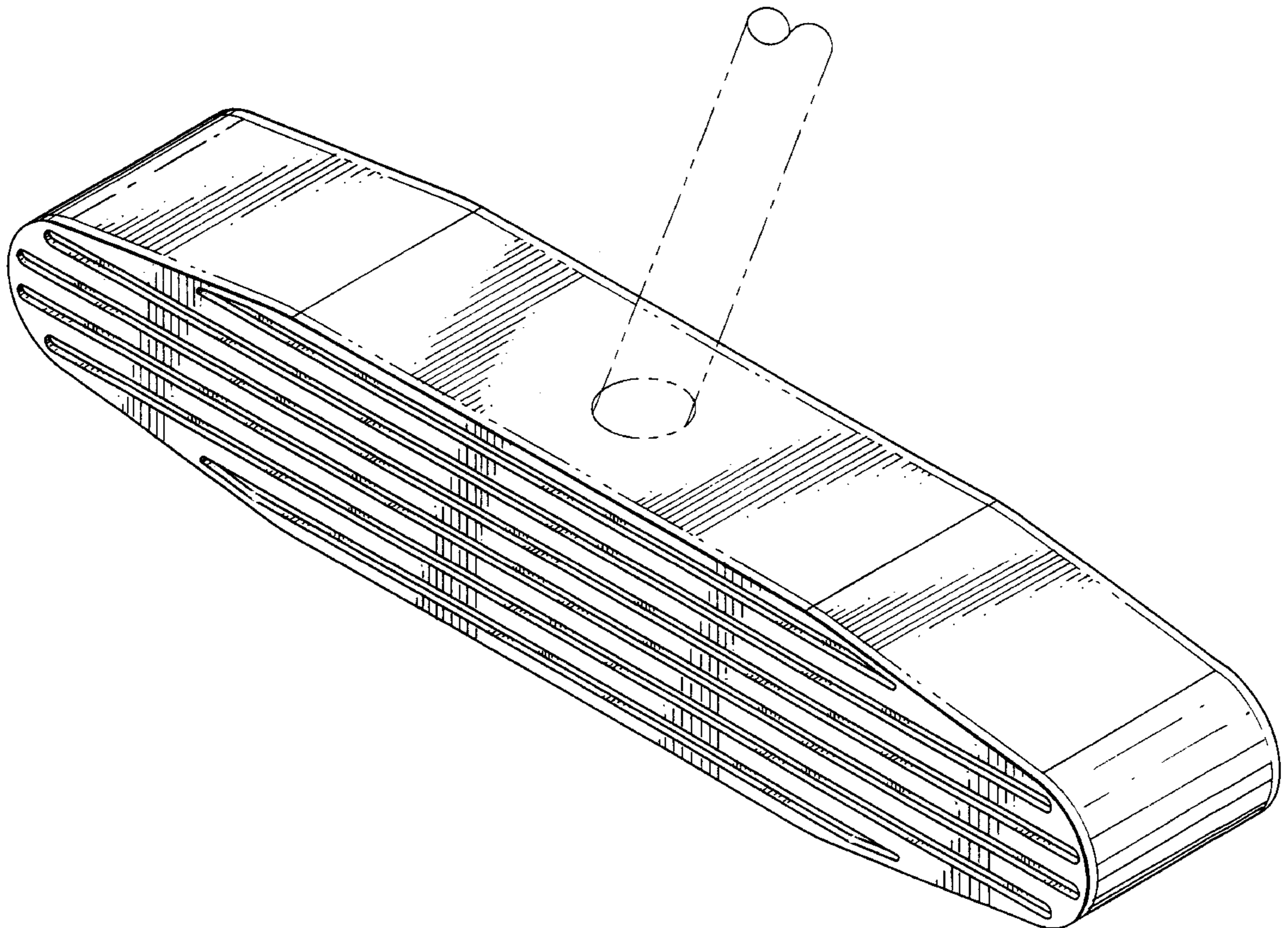
FIG. 2 is a front elevation view of the putter head, the rear elevation view being a mirror image;

FIG. 3 is a right side elevation view thereof, the left side elevation being a mirror image;

FIG. 4 is a bottom plan view thereof; and,

FIG. 5 is an enlarged fragmented cross section taken on line 5—5 of FIG. 2.

1 Claim, 2 Drawing Sheets



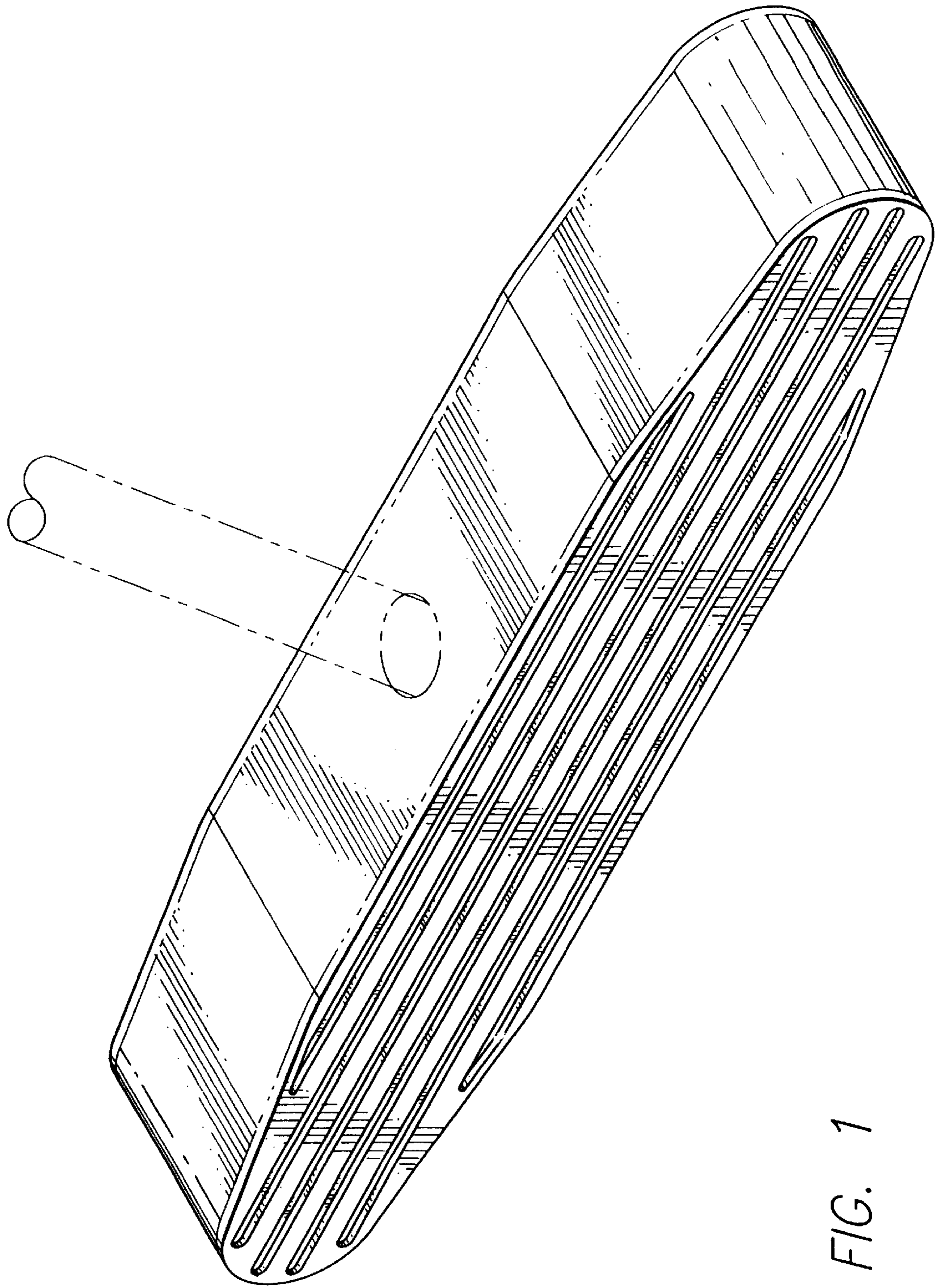


FIG. 1

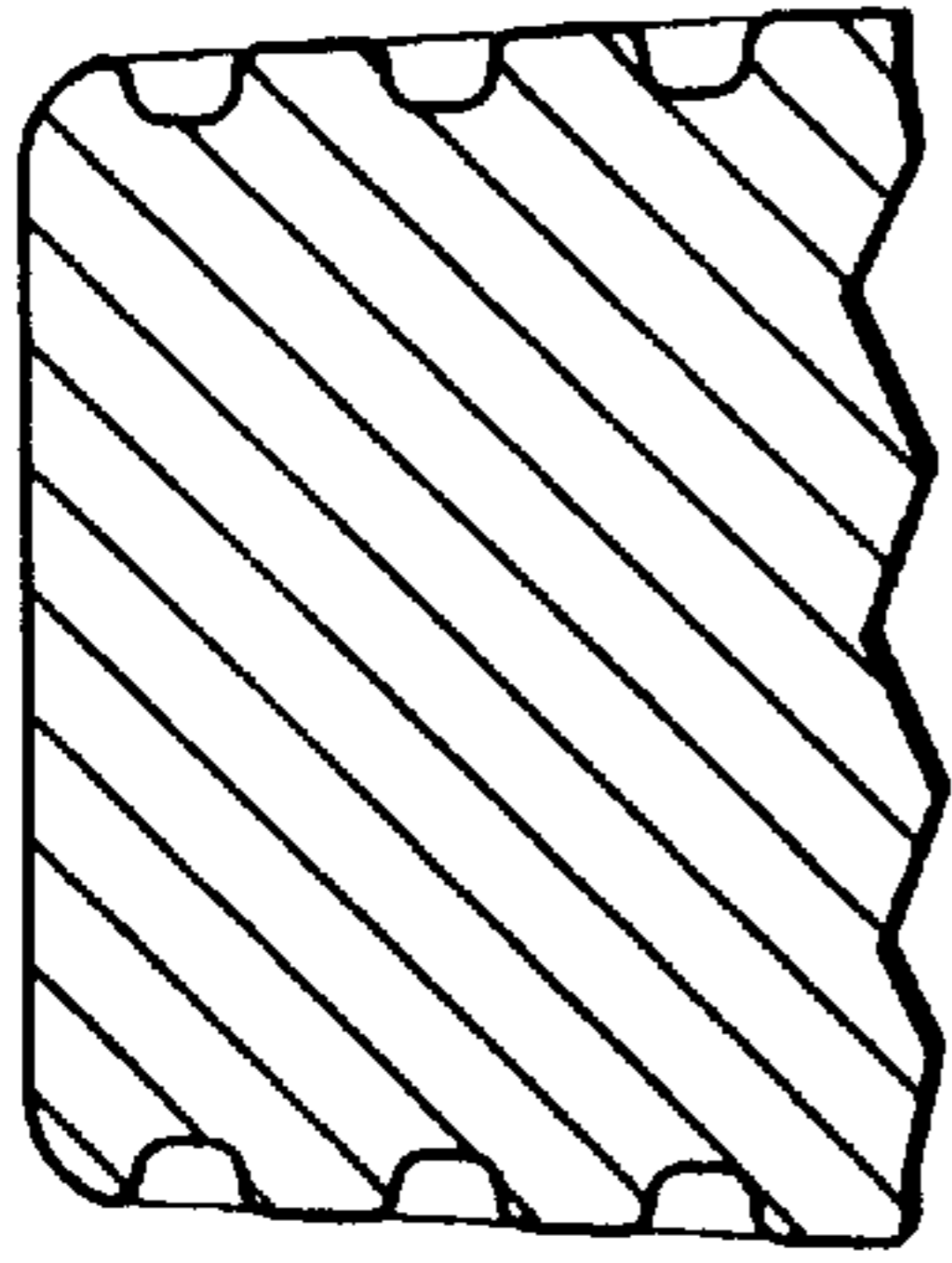


FIG. 5

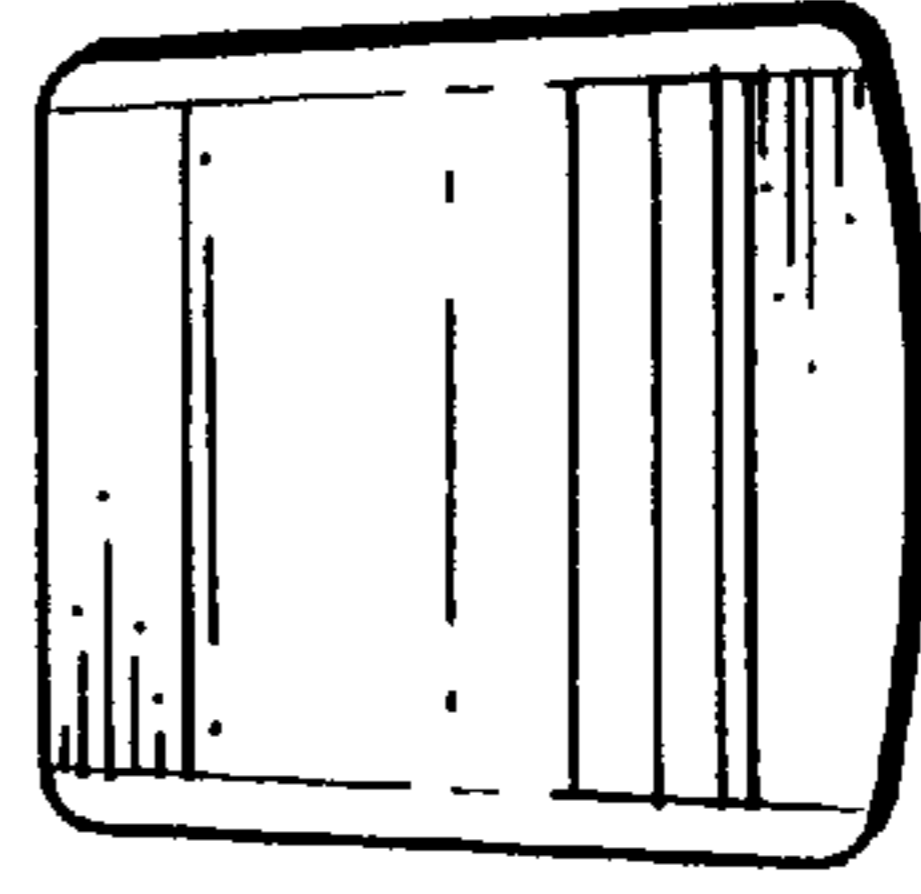


FIG. 3

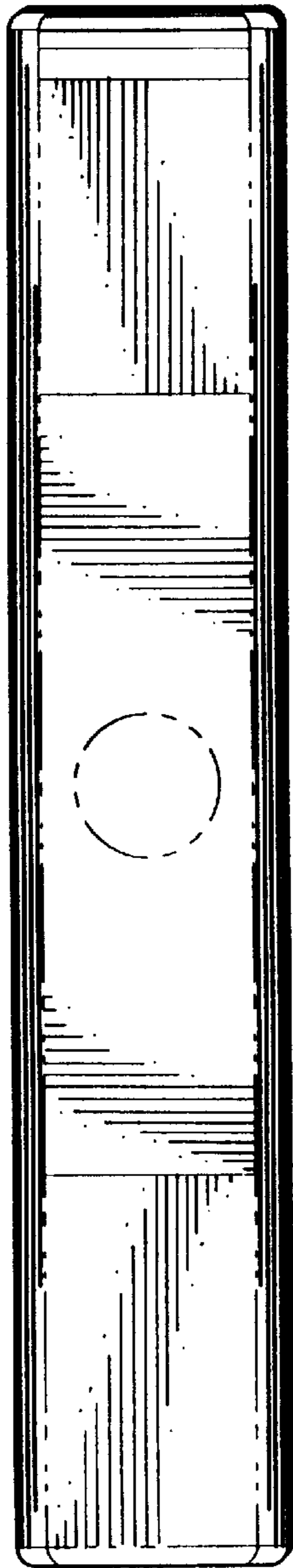


FIG. 4

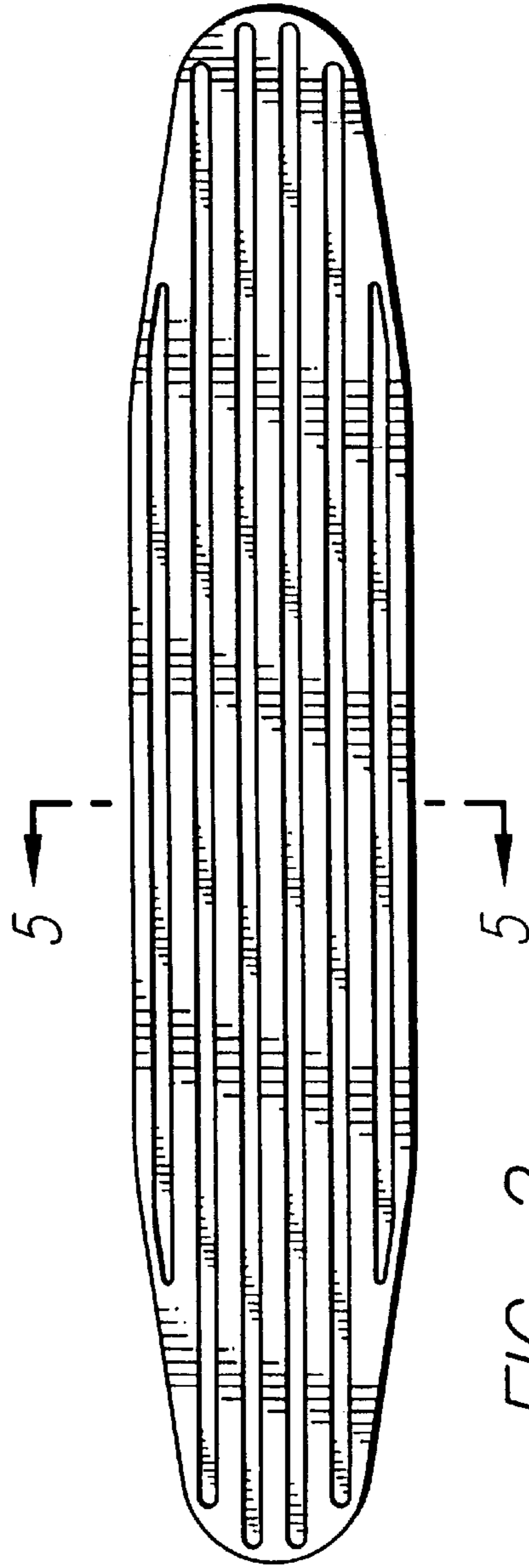


FIG. 2