



US00D435068S

# United States Patent [19]

[11] Patent Number: **Des. 435,068**

Muraki et al.

[45] Date of Patent: **\*\* Dec. 12, 2000**

[54] **GAME MACHINE**

[75] Inventors: **Hiroyuki Muraki; Yoshinobu Kitami,**  
both of Kobe, Japan

[73] Assignee: **Konami Co., Ltd.,** Tokyo, Japan

[\*\*] Term: **14 Years**

[21] Appl. No.: **29/119,005**

[22] Filed: **Feb. 22, 2000**

### [30] Foreign Application Priority Data

Aug. 31, 1999 [JP] Japan ..... 11-23406

[51] **LOC (7) Cl.** ..... **21-01**

[52] **U.S. Cl.** ..... **D21/325**

[58] **Field of Search** ..... D21/324-333,  
D21/344, 350, 385; 463/1, 9, 14, 15, 30-35,  
46-50; 273/148 B, 237, 239, 259, 283;  
446/417; 472/62

### [56] References Cited

#### U.S. PATENT DOCUMENTS

D. 325,938 5/1992 Stuhr ..... D21/344  
D. 411,258 6/1999 Isetani et al. .... D21/328

D. 421,774 3/2000 Toriyama ..... D21/325  
4,142,722 3/1979 Romano et al. .... 463/52  
4,275,442 6/1981 Underwood et al. .... 463/9  
4,850,591 7/1989 Takezawa et al. .... 463/3  
5,299,810 4/1994 Pierce et al. .... 463/2  
5,342,057 8/1994 Sorkoram ..... 273/239  
5,411,271 5/1995 Mirndo ..... 463/9  
5,584,763 12/1996 Kelly et al. .... 463/16  
5,611,731 3/1997 Bouton et al. .... 273/148 B

*Primary Examiner*—Prabhakar Deshmukh  
*Attorney, Agent, or Firm*—Jordan and Hamburg LLP

### [57] CLAIM

The ornamental design for a game machine, as shown and described.

### DESCRIPTION

FIG. 1 is a perspective view of game machine;  
FIG. 2 is a front view thereof;  
FIG. 3 is a rear view thereof;  
FIG. 4 is a right side view thereof;  
FIG. 5 is a left side view thereof;  
FIG. 6 is a top view thereof; and,  
FIG. 7 is a bottom view thereof.

**1 Claim, 6 Drawing Sheets**

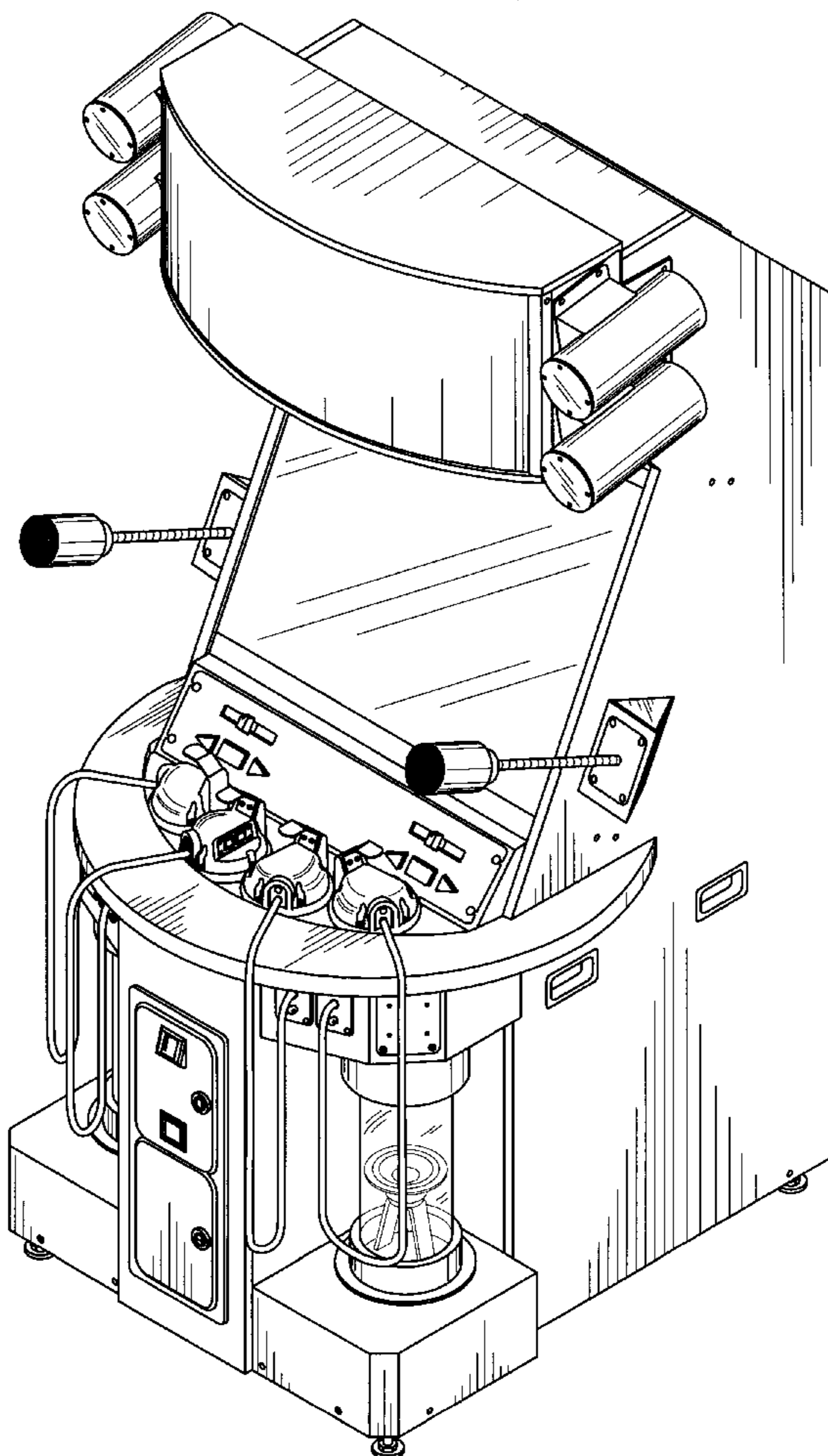


FIG. 1

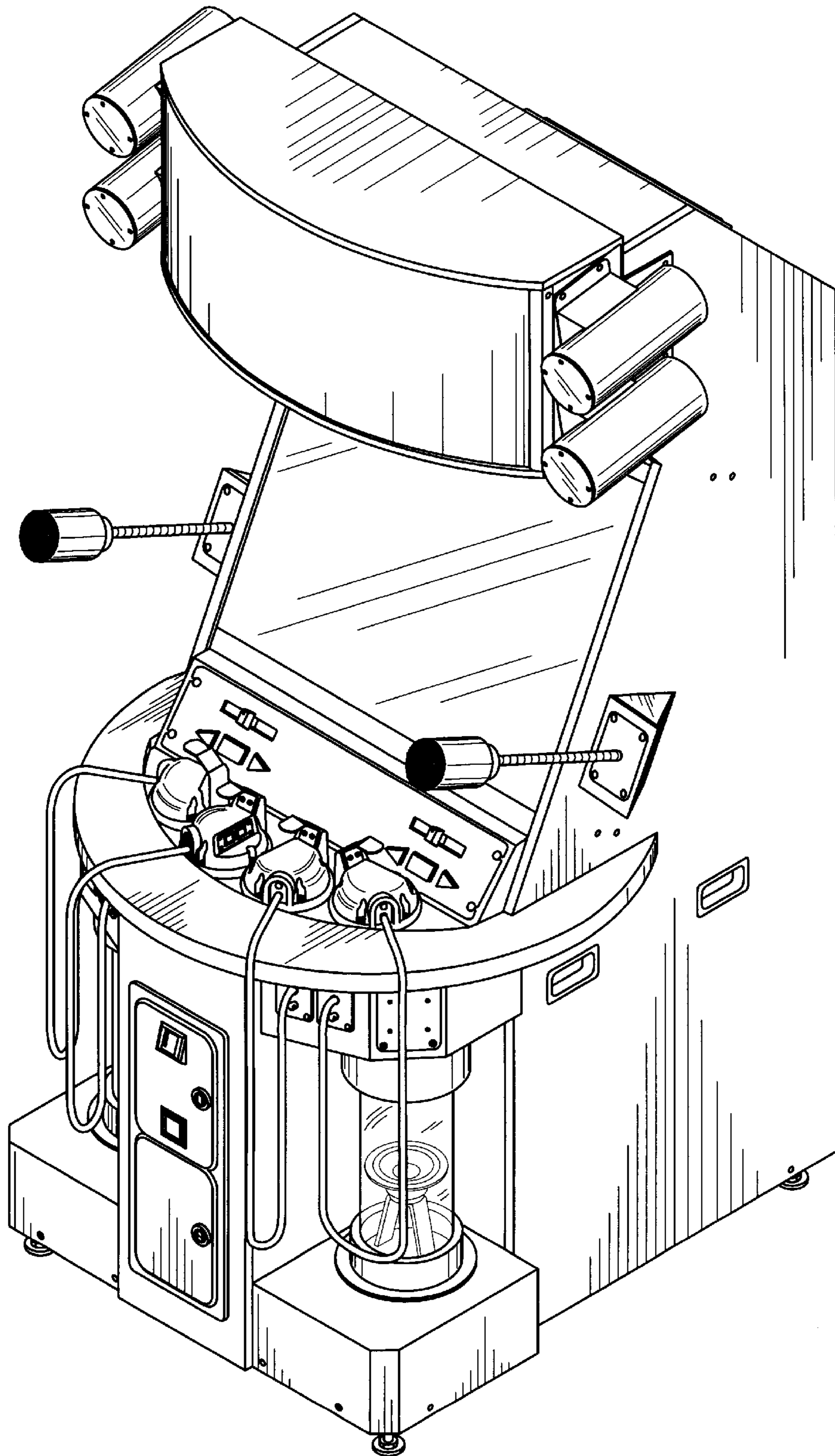


FIG. 2

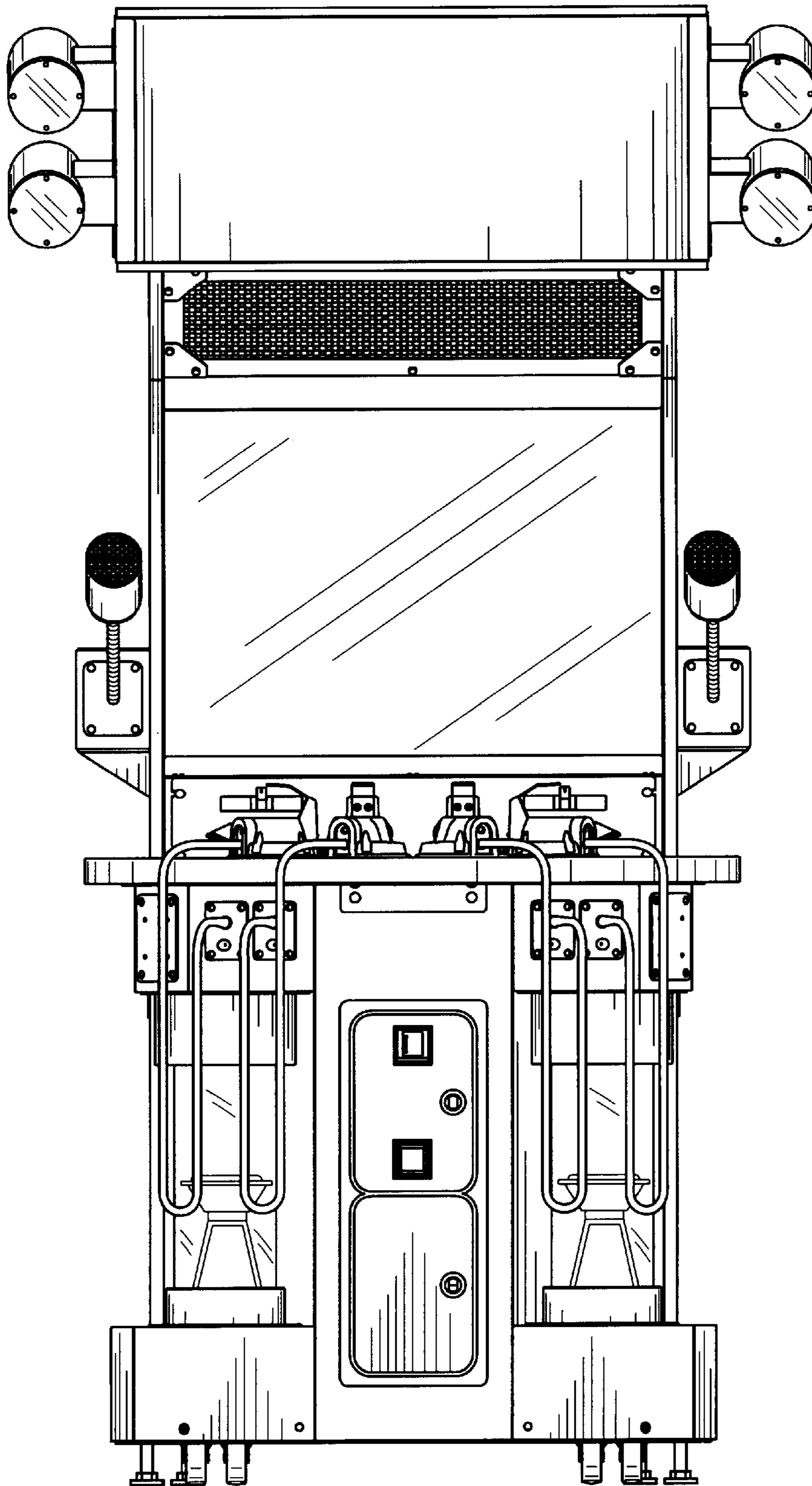


FIG. 3

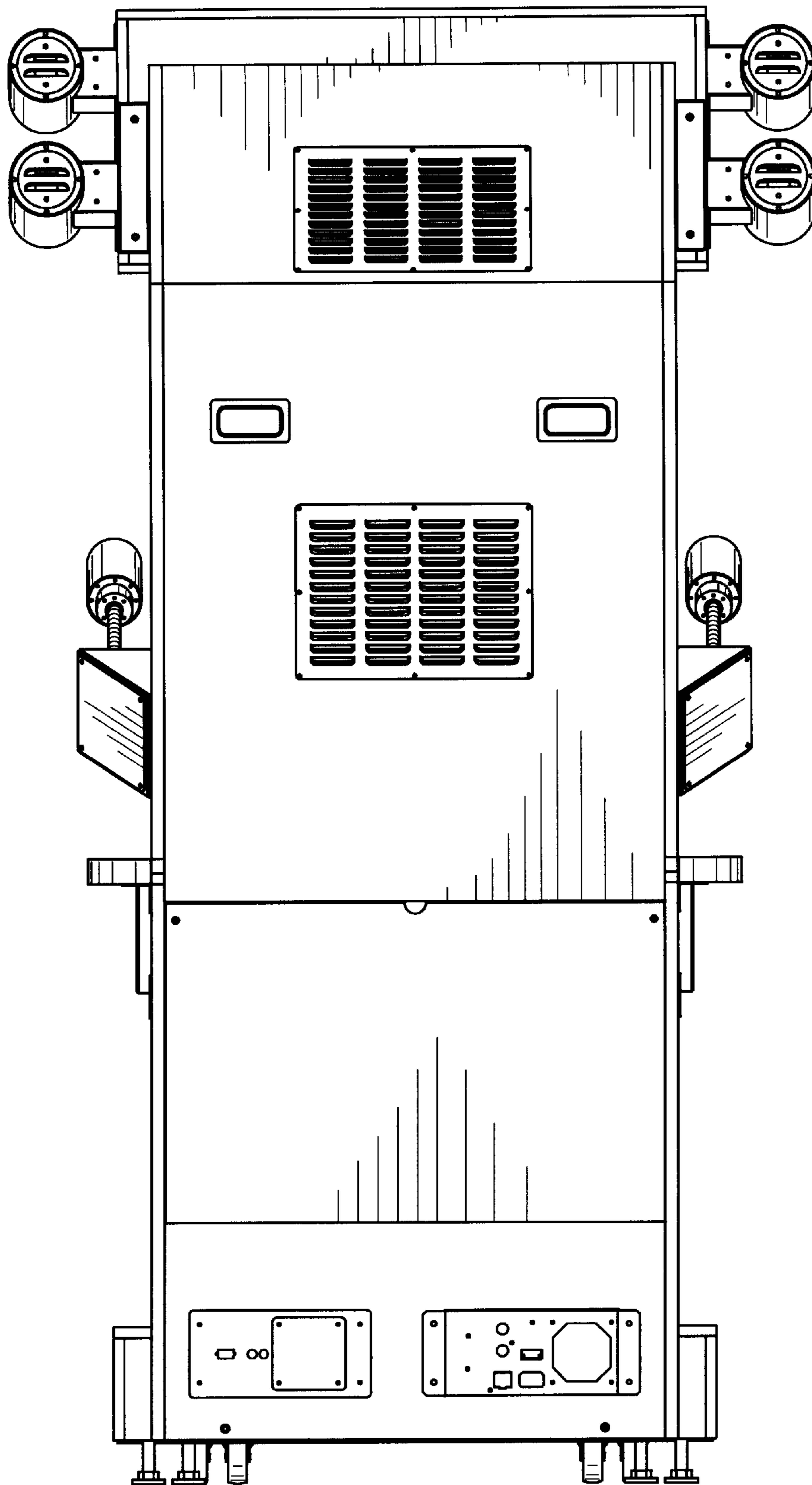




FIG. 4

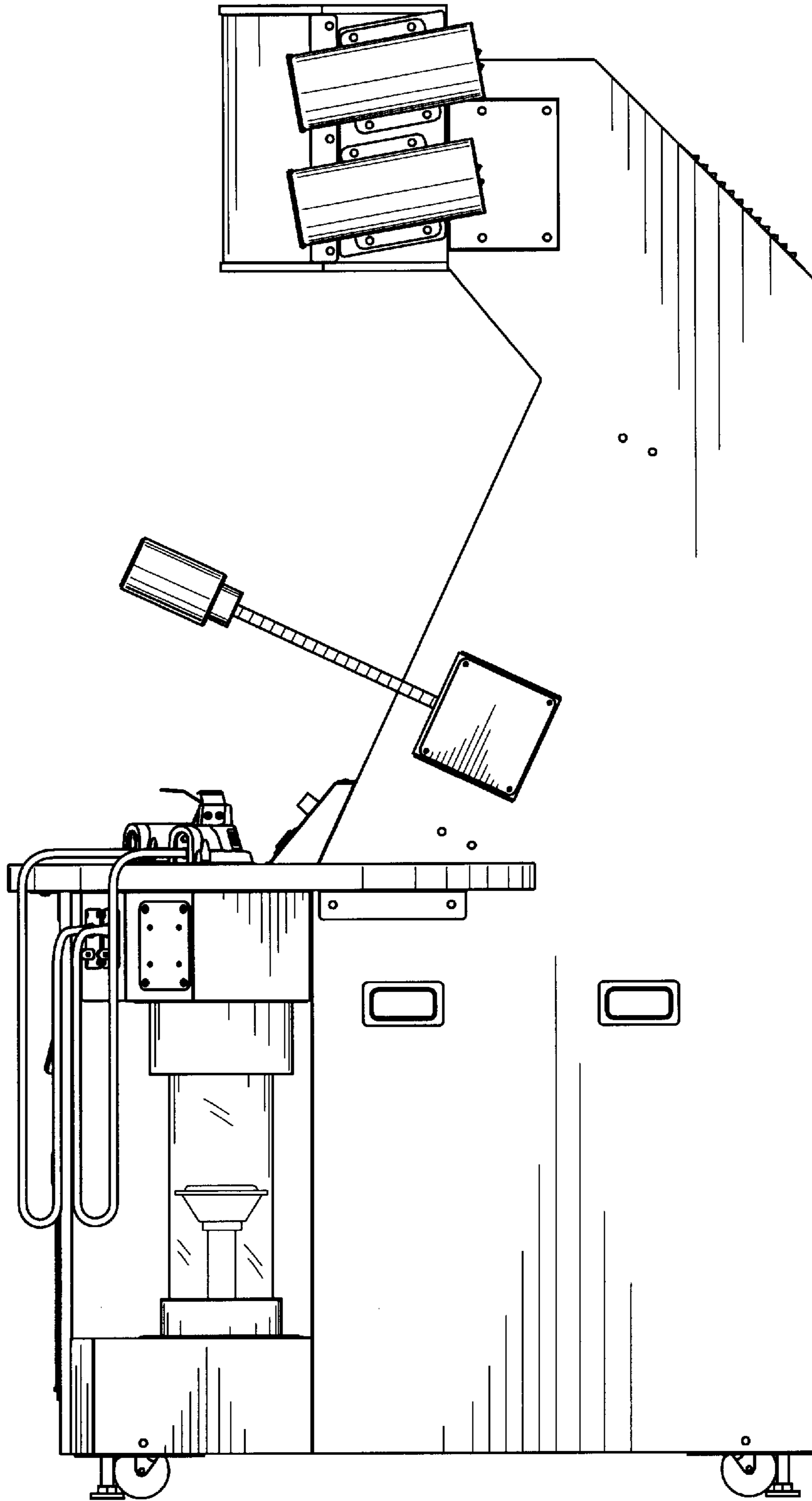


FIG. 5

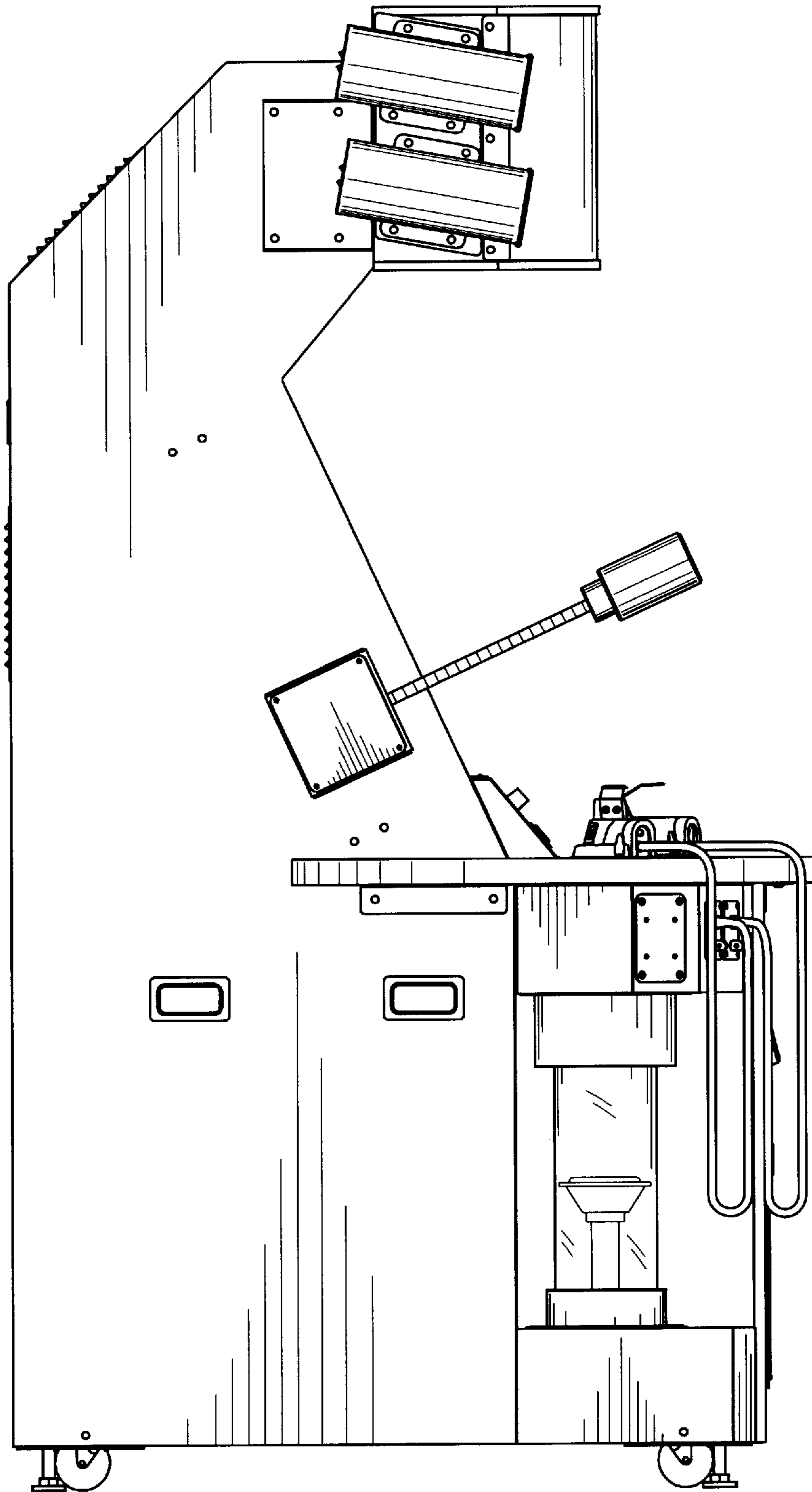


FIG. 6

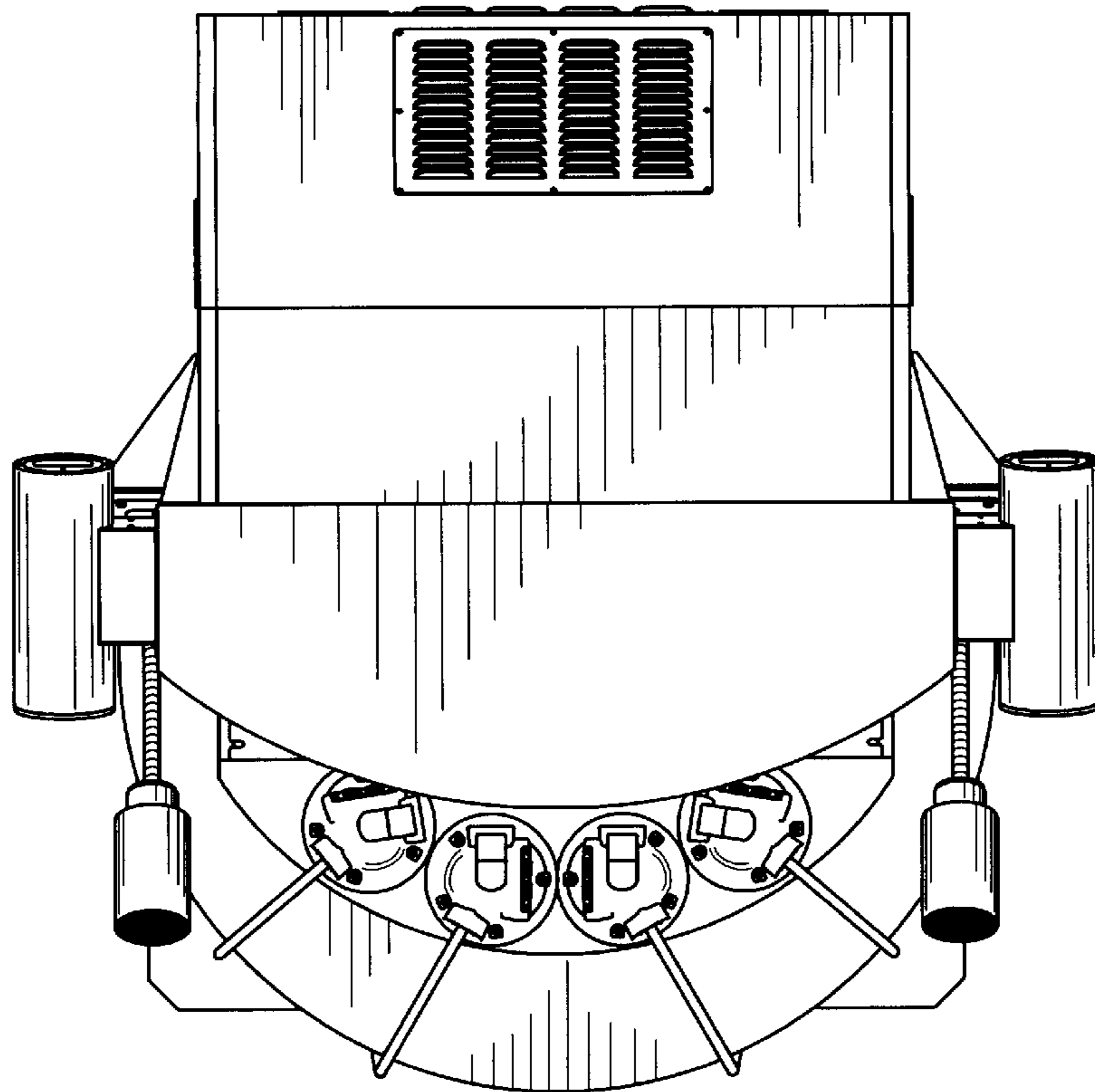


FIG. 7

