



US00D435067S

United States Patent [19]
Shih

[11] **Patent Number: Des. 435,067**

[45] **Date of Patent: ** Dec. 12, 2000**

[54] **DYNAMIC DISPLAY ORNAMENT**

D. 380,325 7/1997 Kempf D6/553

[76] Inventor: **Hsueh-Ming Shih**, No. 7, Alley 11,
Lane 58, Fu-Hsing Rd., Hsi-Chin Chen,
Taipei Hsien, Taiwan

Primary Examiner—Marcus A. Jackson
Attorney, Agent, or Firm—Bacon & Thomas, PLLC

[**] Term: **14 Years**

[57] **CLAIM**

The ornamental design for dynamic display ornament, as shown and described.

[21] Appl. No.: **29/122,111**

[22] Filed: **Apr. 20, 2000**

DESCRIPTION

[51] **LOC (7) Cl.** **19-08**

[52] **U.S. Cl.** **D20/10; D6/553**

[58] **Field of Search** D20/10, 40, 42;
D6/449, 466, 470, 471, 475, 476, 512,
553, 567; 211/50, 55

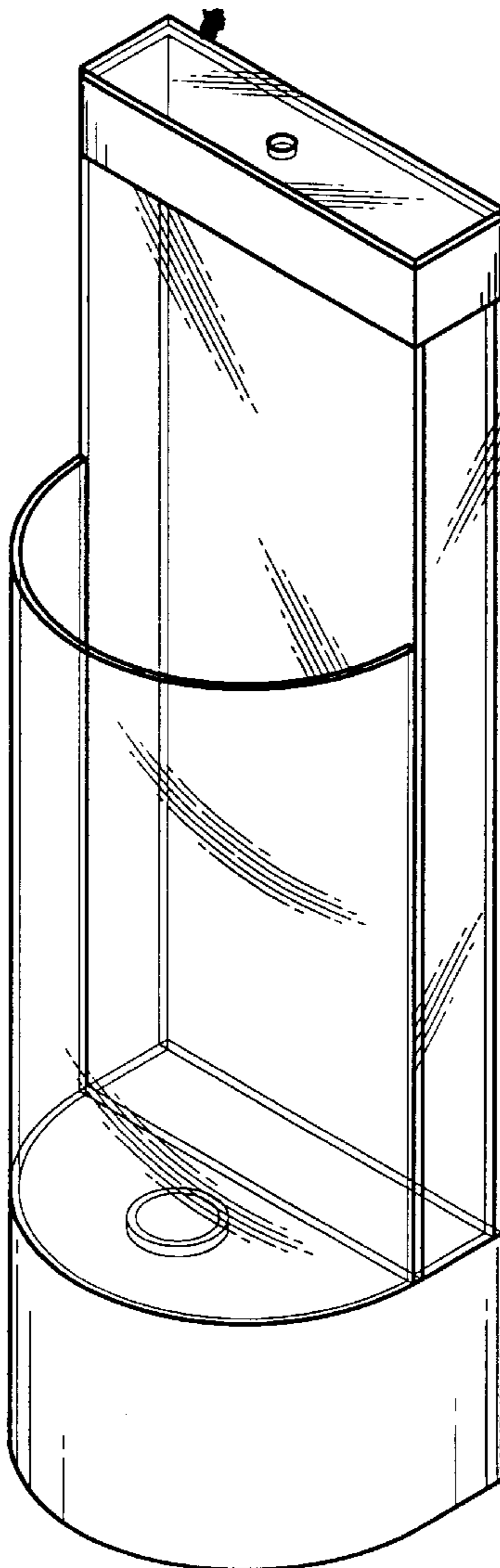
FIG. 1 is a perspective view of dynamic display ornament showing our new design thereof;
FIG. 2 is a right side elevational view thereof;
FIG. 3 is a top plan view thereof;
FIG. 4 is a front side elevational view thereof;
FIG. 5 is a bottom plan view thereof;
FIG. 6 is a left side elevational view thereof; and,
FIG. 7 is a rear side elevational view thereof.

[56] **References Cited**

U.S. PATENT DOCUMENTS

D. 321,446 11/1991 Liptak D6/553

1 Claim, 6 Drawing Sheets



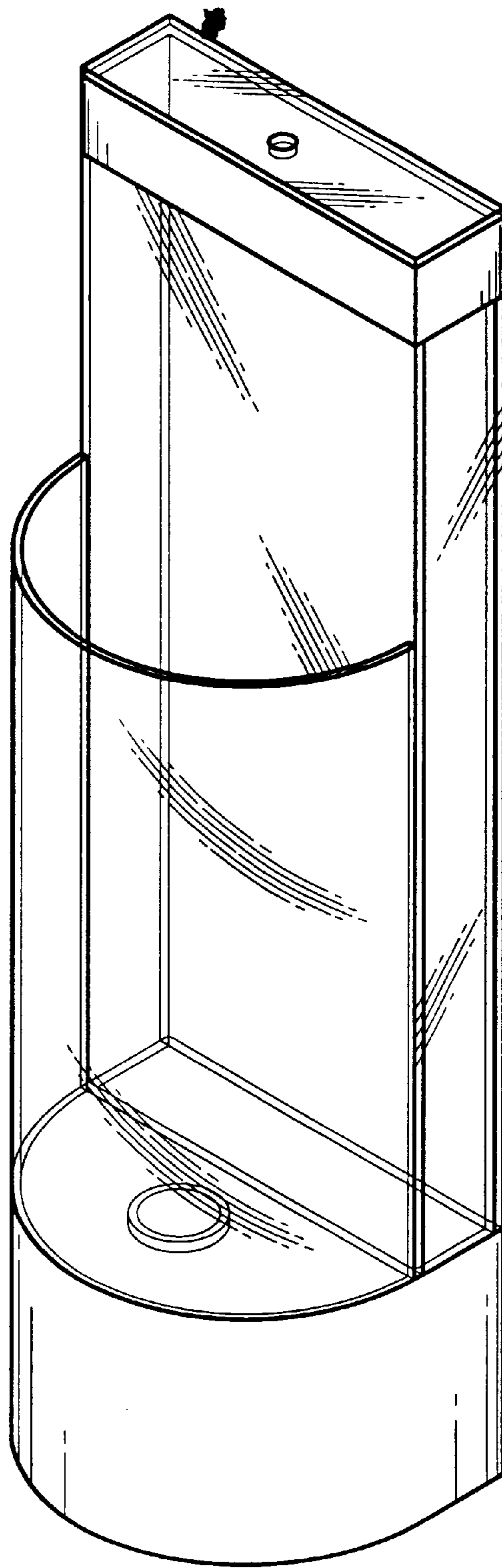


Fig. 1

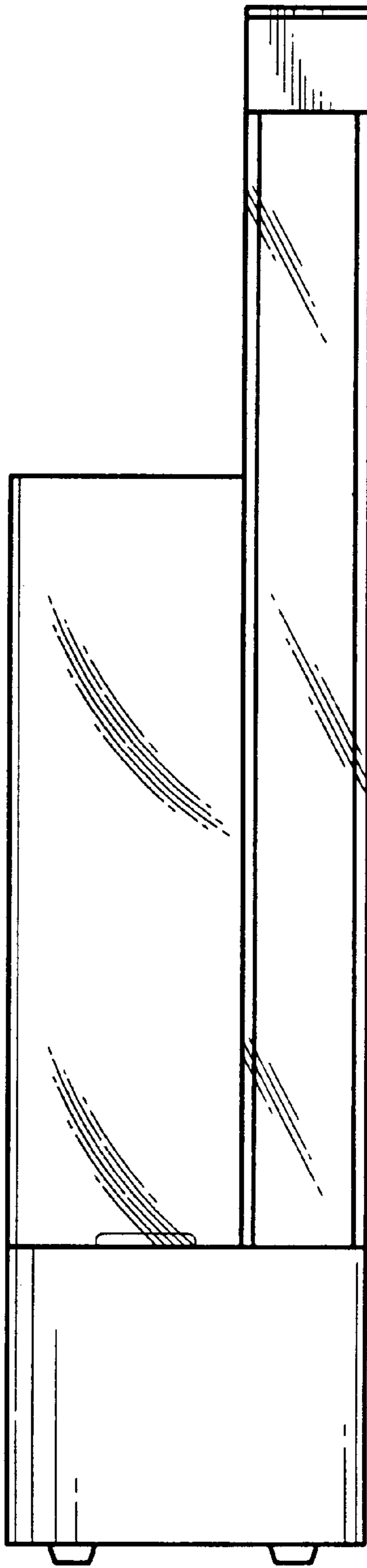


Fig. 2

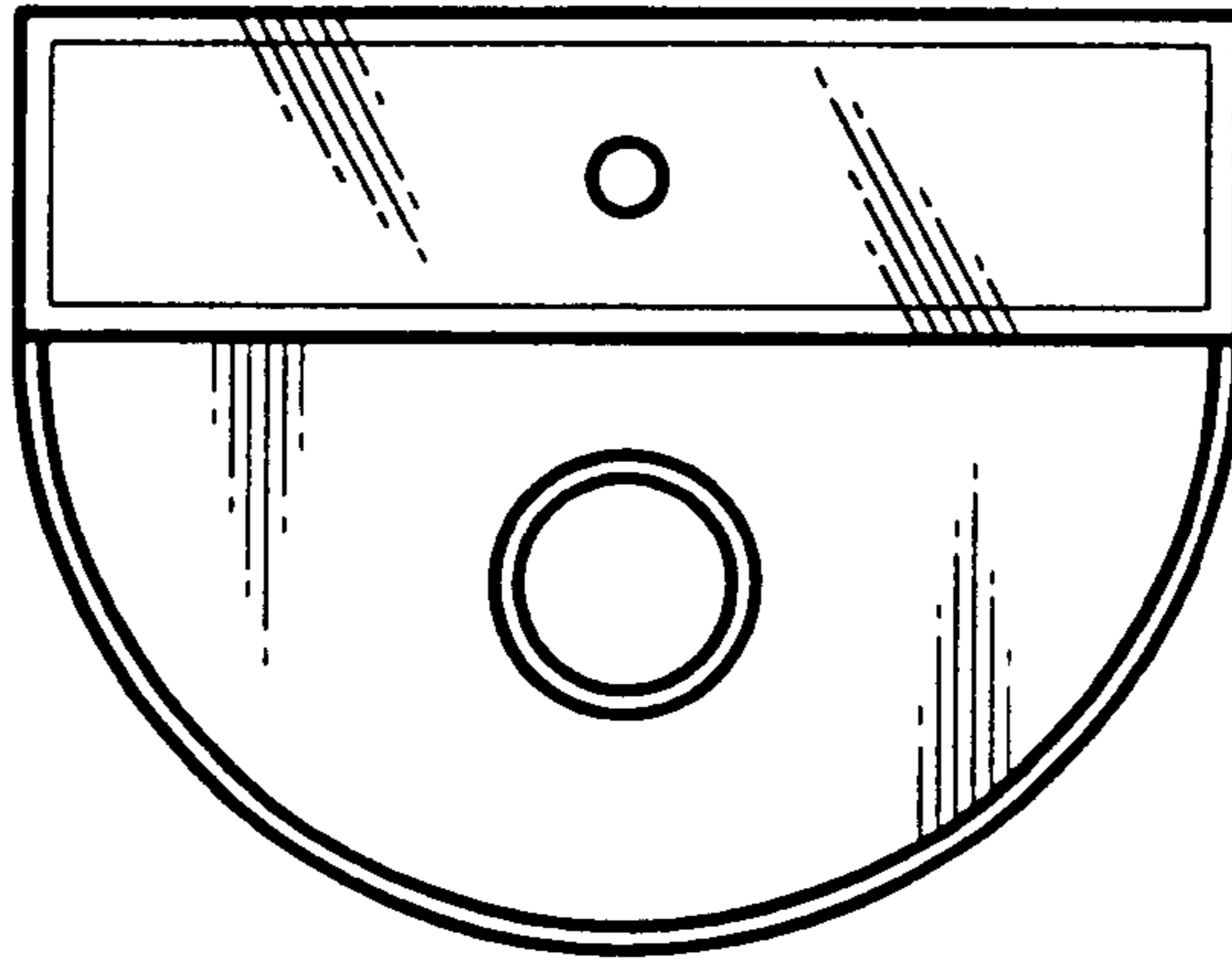


Fig. 3

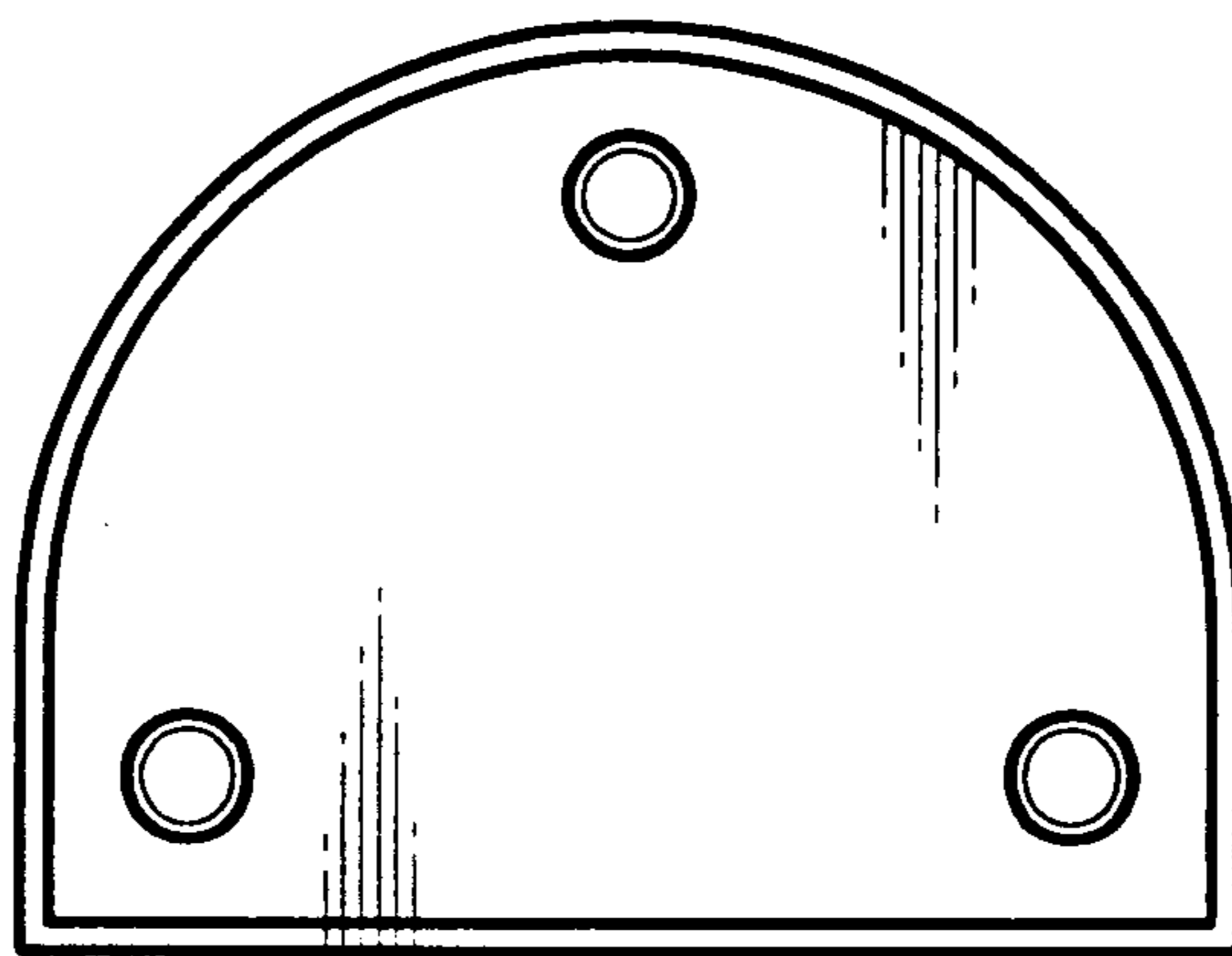


Fig. 5

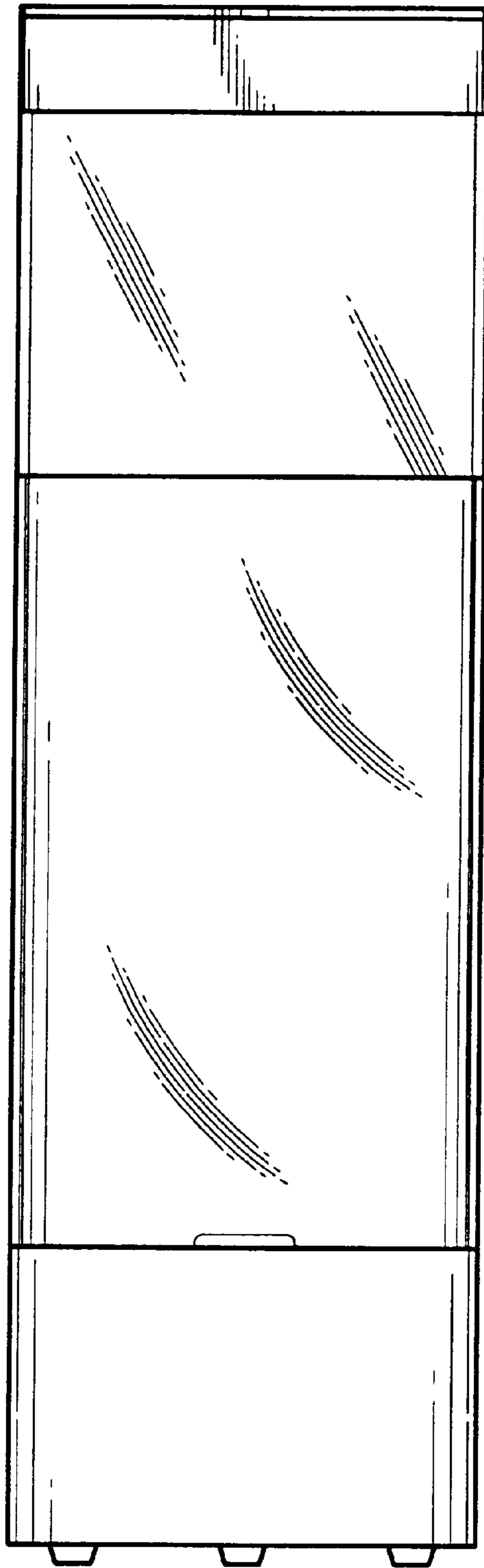


Fig. 4

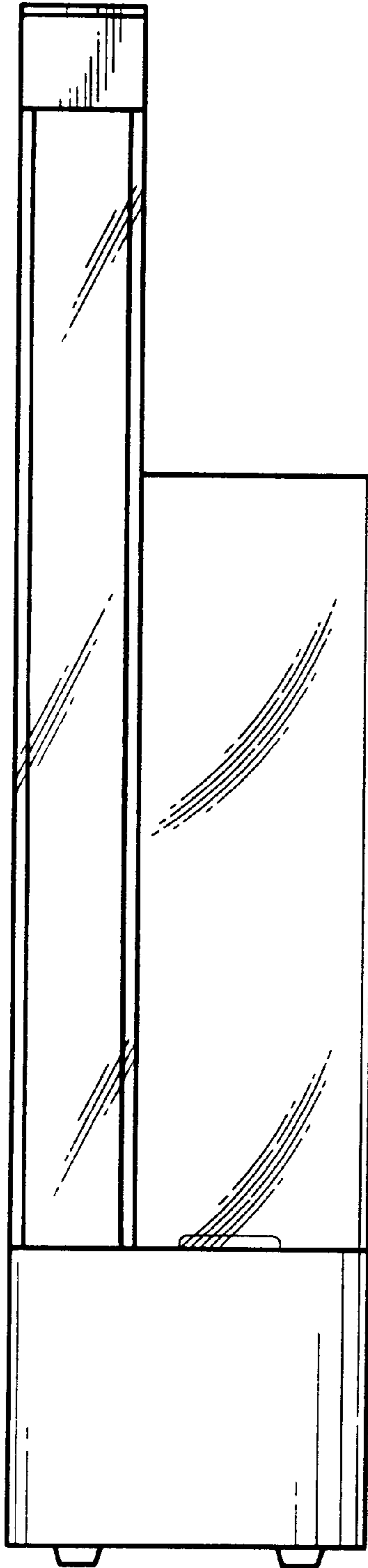


Fig. 6

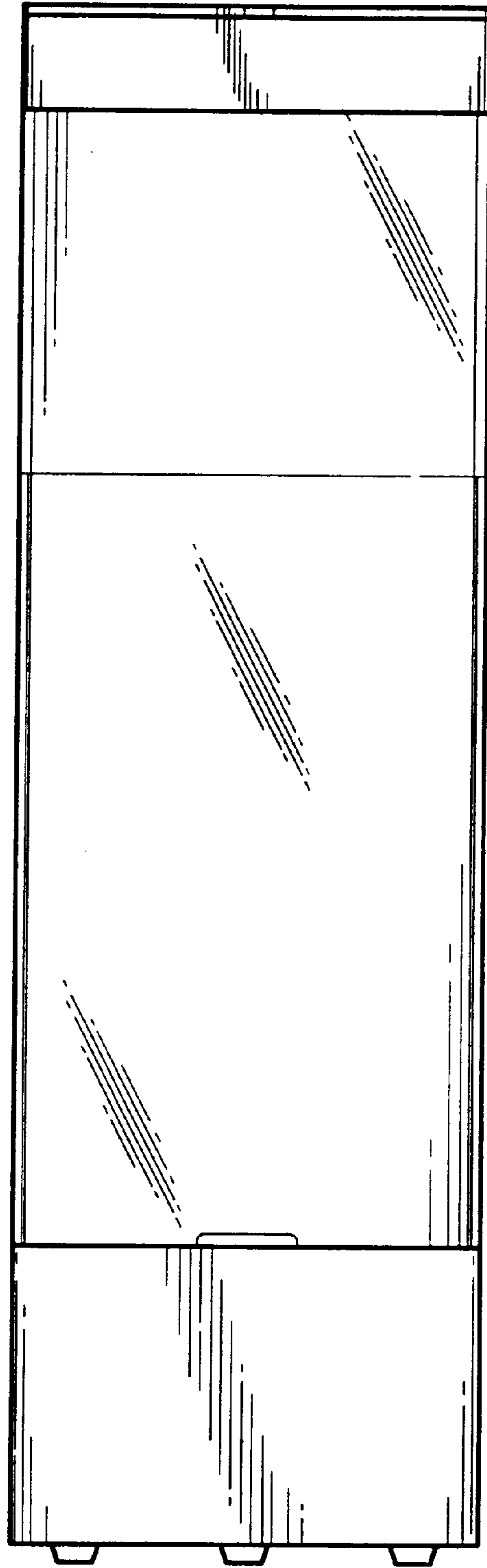


Fig. 7