



US00D435063S

United States Patent [19]

[11] Patent Number: **Des. 435,063**

Gerstein et al.

[45] Date of Patent: **** Dec. 12, 2000**

[54] **COMBINED FRONT, TOP AND TOP RIGHT SIDE OF A PRINTER**

[75] Inventors: **Steven P. Gerstein; Thomas E. Pangburn**, both of Lexington, Ky.

[73] Assignee: **Lexmark International, Inc.**, Lexington, Ky.

[**] Term: **14 Years**

[21] Appl. No.: **29/116,948**

[22] Filed: **Jan. 13, 2000**

[51] **LOC (7) Cl.** **18-02**

[52] **U.S. Cl.** **D18/56; D18/55**

[58] **Field of Search** **D18/50, 54-55, D18/36-39, 4.1-4.6, 56; 400/613, 613.1-613.4, 691-694, 691.1-691.4; D14/462**

[56] **References Cited**

U.S. PATENT DOCUMENTS

D. 328,095	7/1992	Sugihara et al.	D18/39
D. 331,595	12/1992	Ishida	D18/38
D. 335,302	5/1993	Quedenfeld	D18/56
D. 339,152	9/1993	Hirose et al.	D18/39
D. 339,370	9/1993	Sugihara et al.	D18/39
D. 354,304	1/1995	Ishibashi et al.	D18/36
D. 358,412	5/1995	Momose et al.	D18/39
D. 362,457	9/1995	Shimizu	D18/39
D. 370,690	6/1996	Pangburn et al.	D18/56

D. 375,974	11/1996	Kogoh et al.	D18/53
D. 377,369	1/1997	Kogoh et al.	D18/53
D. 382,584	8/1997	Takada	D18/55
D. 390,256	2/1998	Shibata	D18/39
D. 399,250	10/1998	Kawai	D18/55
D. 405,821	2/1999	Ishikawa	D18/54
D. 407,741	4/1999	Kusanagi	D18/55
D. 413,352	8/1999	Bishop et al.	D18/55
D. 413,921	9/1999	Gassett et al.	D18/56
D. 421,043	2/2000	Shibata et al.	D18/39
D. 429,277	8/2000	Bishop et al.	D18/50

Primary Examiner—Cathy Anne MacCormac
Attorney, Agent, or Firm—John A. Brady

[57] **CLAIM**

The ornamental design for a combined front, top and top of right side of a printer, as shown and described.

DESCRIPTION

FIG. 1 is a top, right side perspective view of a combined front, top and top of right side of a printer, showing our new design, the broken lines showing the lower right side of a printer and a collator on the left side of the printer are for illustrative purposes only and form no part of the claimed design;

FIG. 2 is a top plan view thereof;

FIG. 3 is a front elevational view thereof; and,

FIG. 4 is a right side elevational view thereof.

The lower right side, left side, bottom and rear are not being claimed.

1 Claim, 4 Drawing Sheets

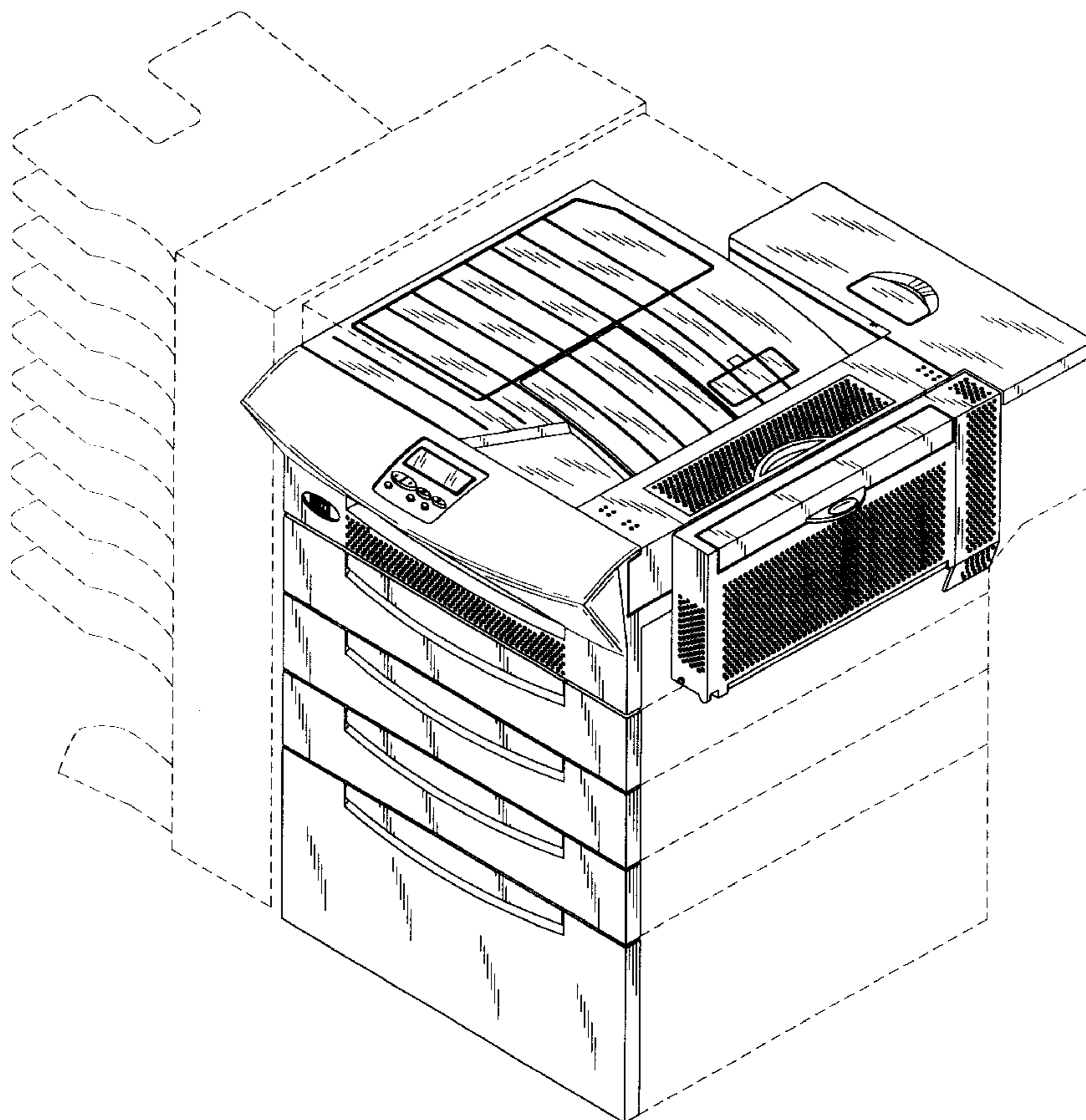


FIG. 1

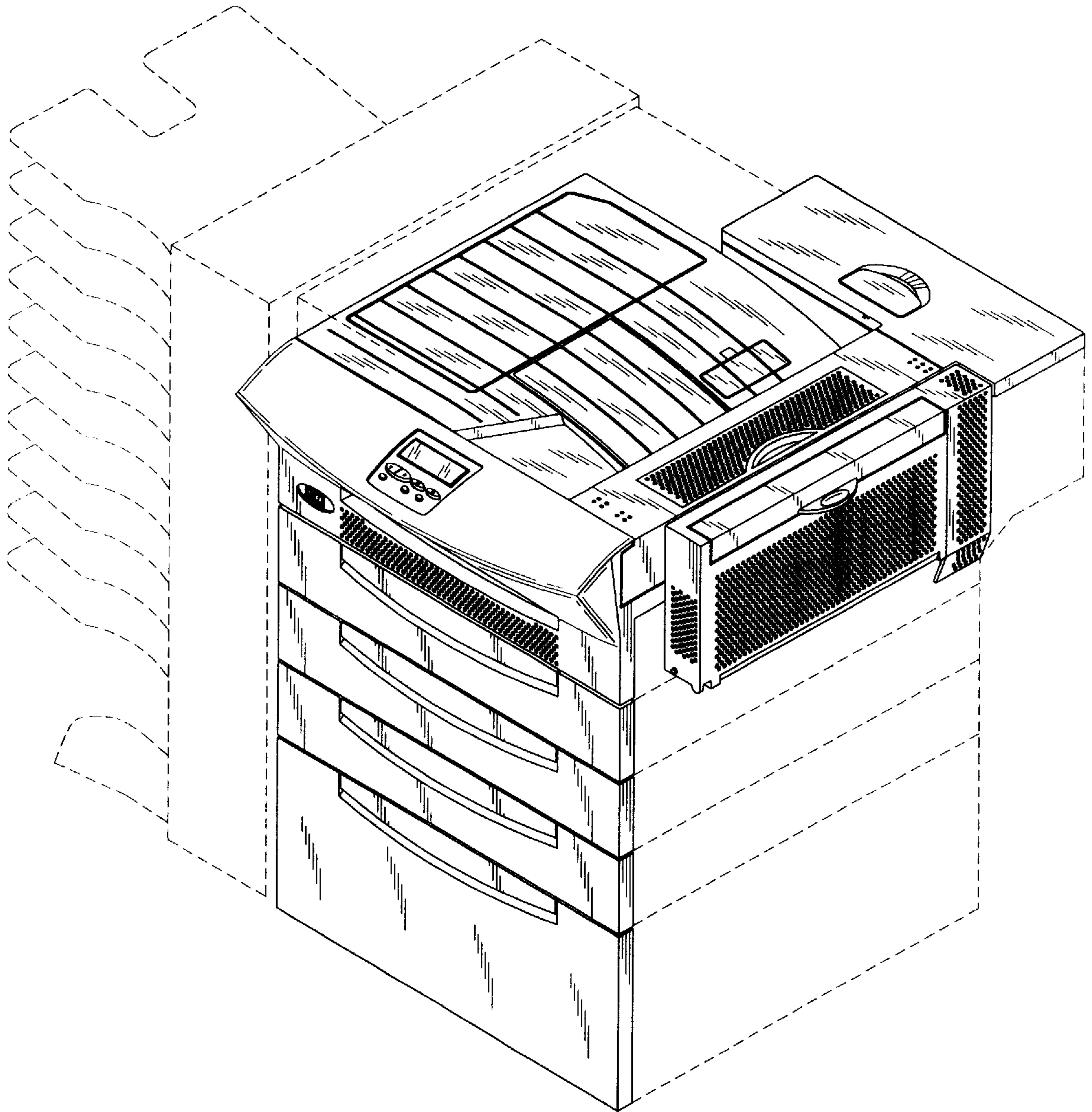


FIG. 2

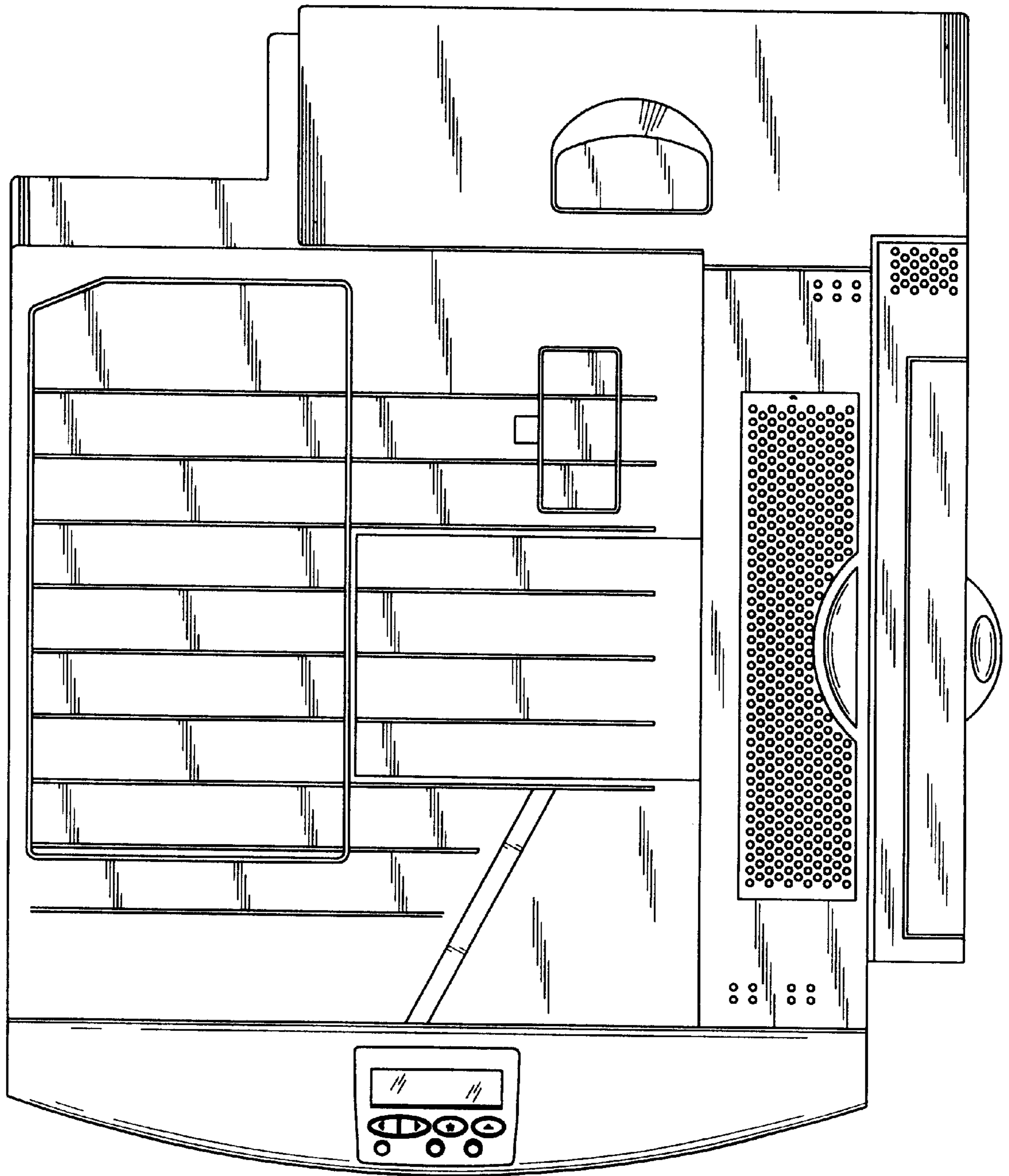


FIG. 3

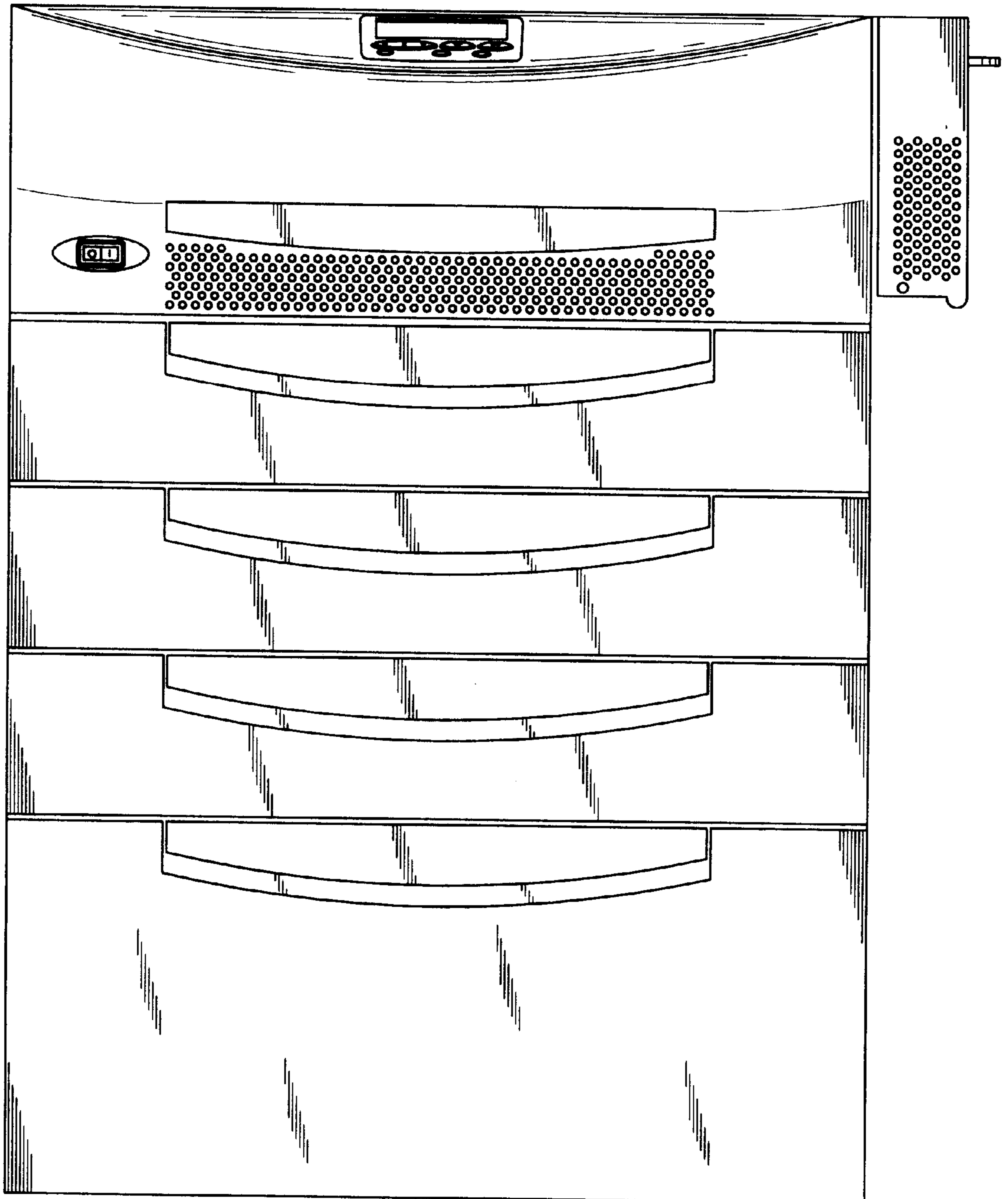


FIG. 4

