



US00D435057S

United States Patent [19]
Chen

[11] **Patent Number: Des. 435,057**

[45] **Date of Patent: ** Dec. 12, 2000**

[54] **DIVING GOGGLES**

[75] Inventor: **River Chen**, Hsinchu Hsien, Taiwan

[73] Assignee: **River Leisure Enterprise Co, Ltd**,
Chutung Chen, Taiwan

[**] Term: **14 Years**

[21] Appl. No.: **29/105,435**

[22] Filed: **May 25, 1999**

[51] **LOC (7) Cl.** **16-06**

[52] **U.S. Cl.** **D16/303; D16/311**

[58] **Field of Search** D16/101, 300,
D16/303, 311; D29/103-104, 109-110;
D24/110.2; 351/41, 44, 158; 2/428, 430,
432

[56] **References Cited**

U.S. PATENT DOCUMENTS

D. 395,666	6/1998	Yashiro	D16/303
D. 413,913	9/1999	Yashiro	D16/303
D. 413,914	9/1999	Tsubooka	D16/303
5,459,882	10/1995	Yamamoto	2/428

Primary Examiner—Raphael Barkai
Attorney, Agent, or Firm—Bucknam and Archer

[57] **CLAIM**

The ornamental design of diving goggles, as shown and described.

DESCRIPTION

FIG. 1 is a front perspective view of the diving goggles of the present invention;

FIG. 2 is a front elevational view of the diving goggles of the present invention;

FIG. 3 is a rear elevational view of the diving goggles of the present invention;

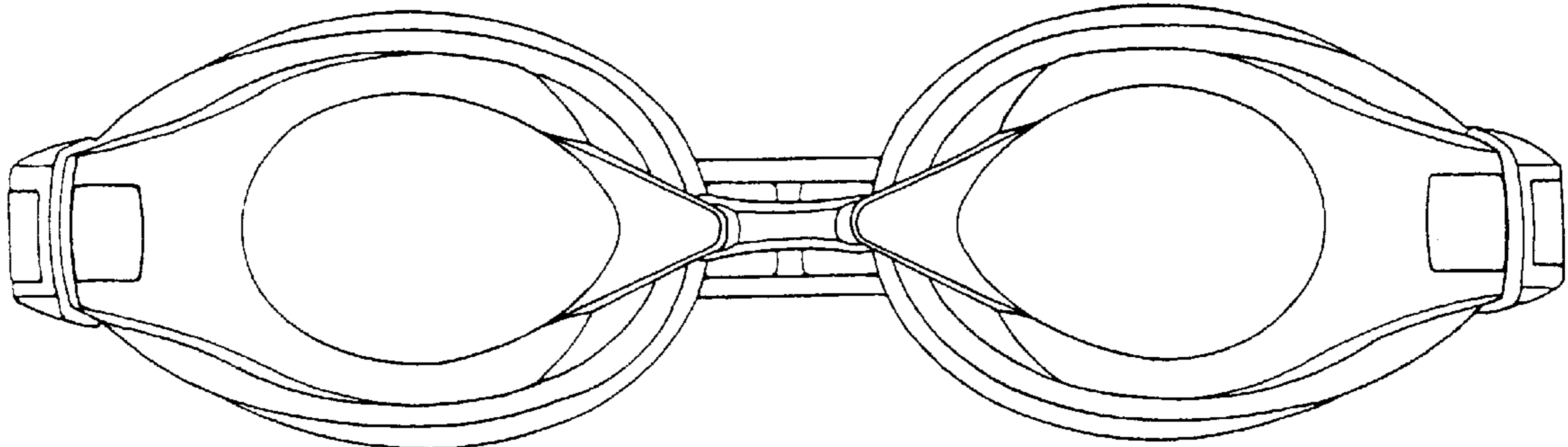
FIG. 4 is a left side elevational view of the diving goggles of the present invention;

FIG. 5 is a right side elevational view of the diving goggles of the present invention;

FIG. 6 is a top plan view of the diving goggles of the present invention; and,

FIG. 7 is a bottom plan view of the diving goggles of the present invention.

1 Claim, 5 Drawing Sheets



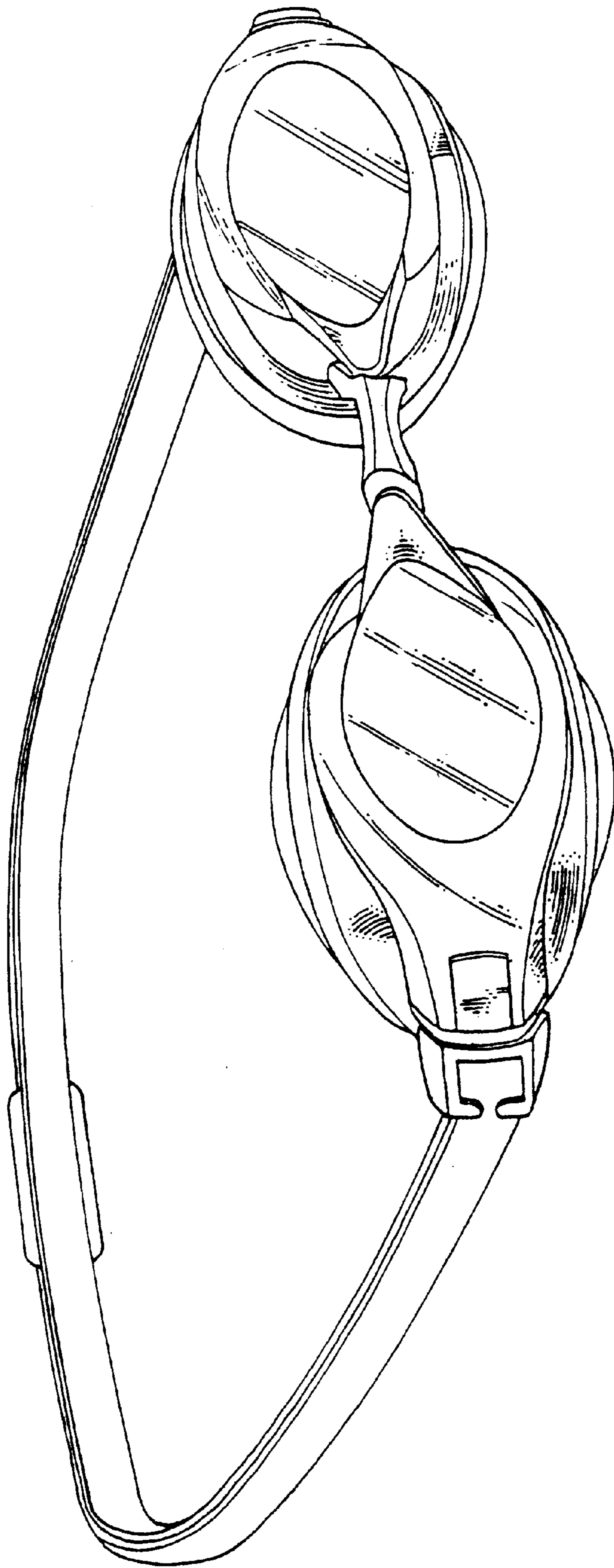


FIG. 1

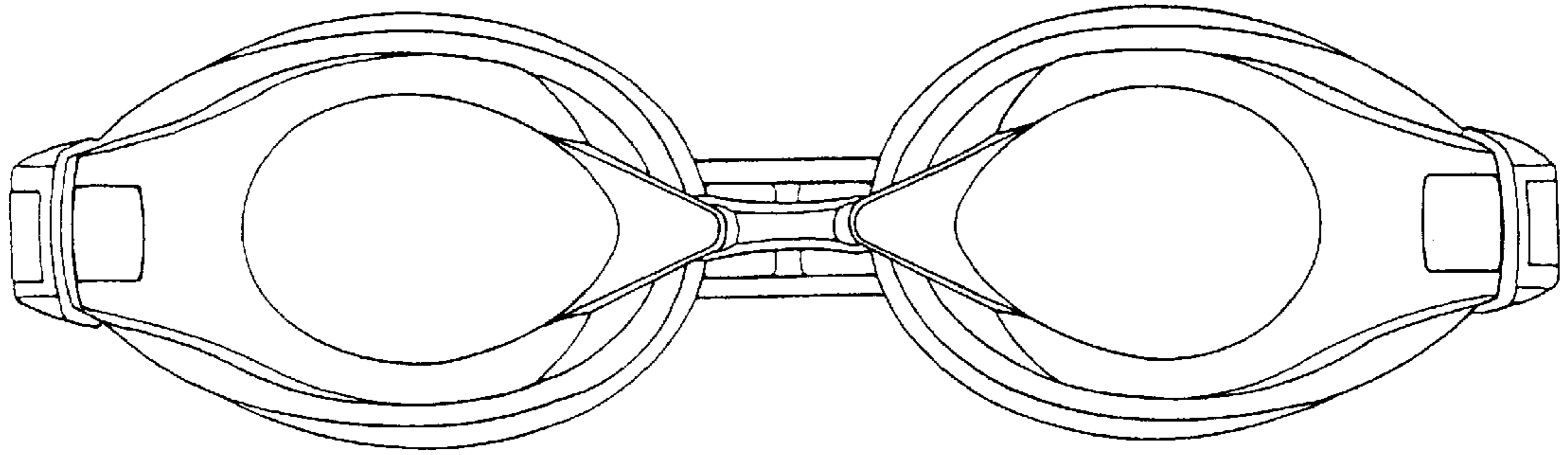


FIG. 2

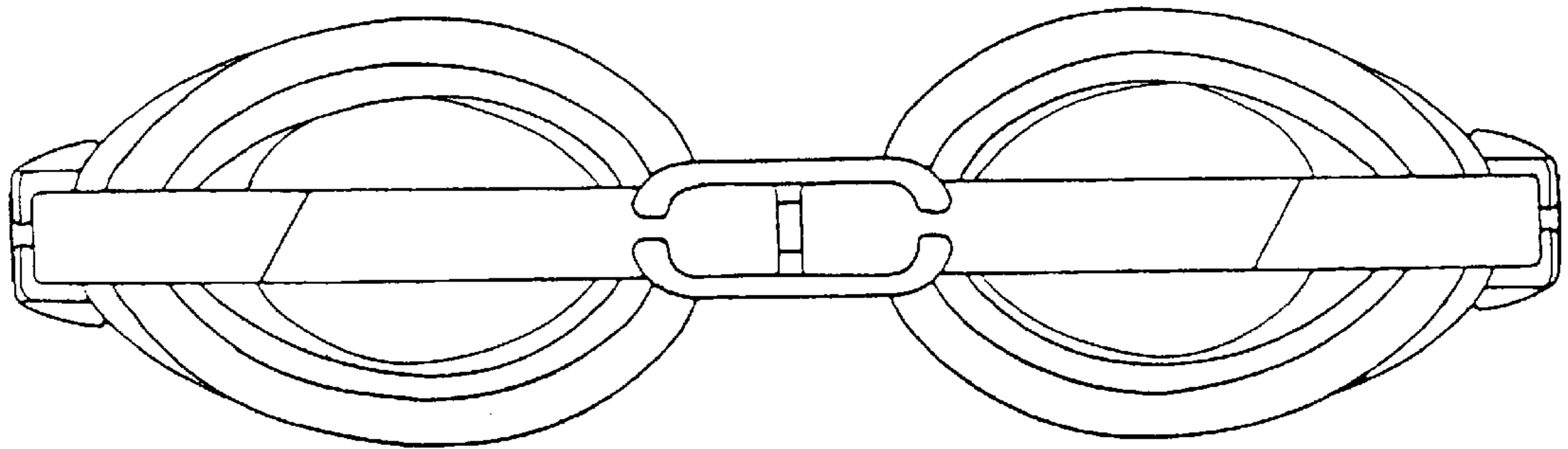


FIG. 3

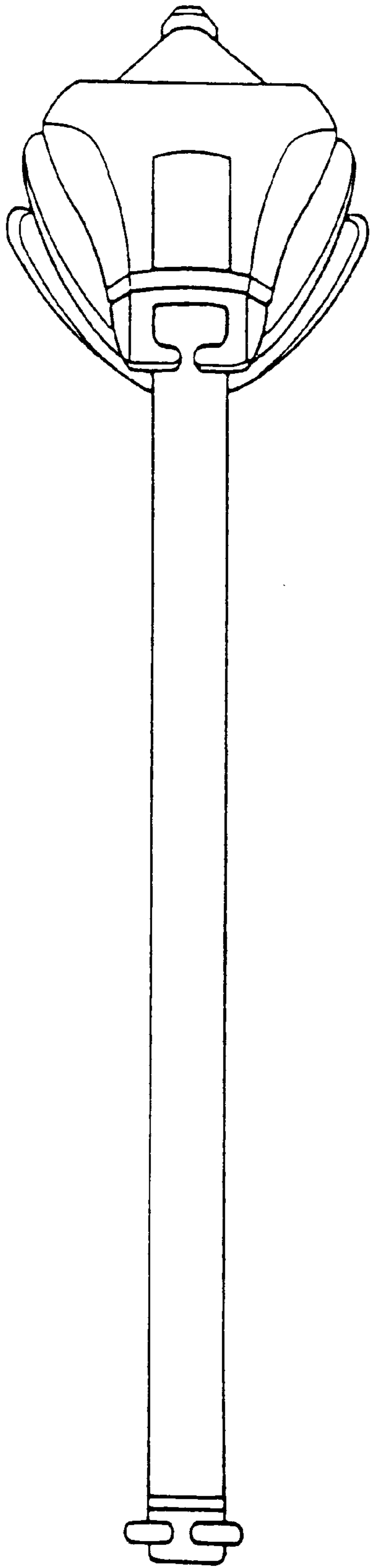


FIG. 4

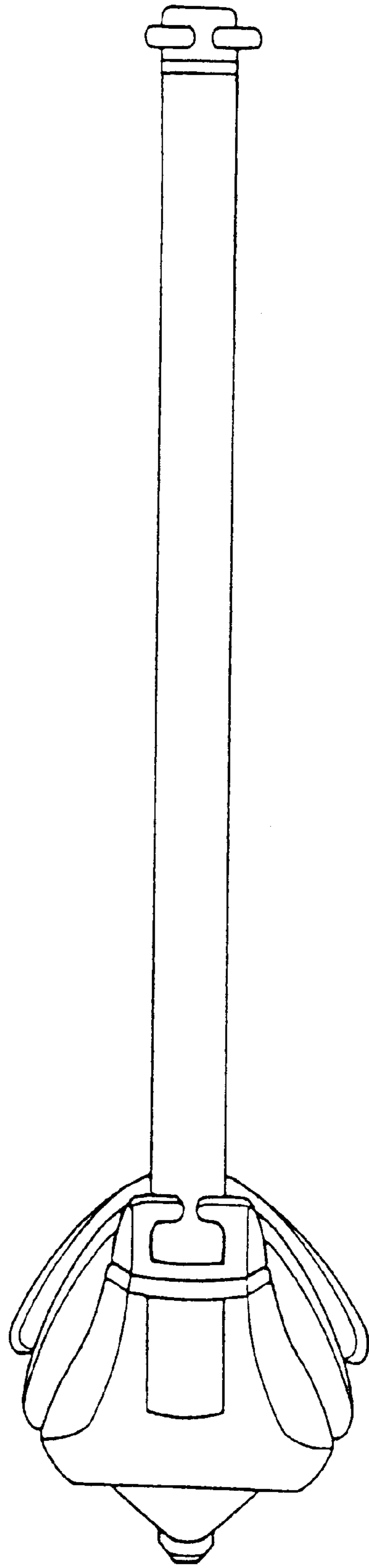


FIG. 5

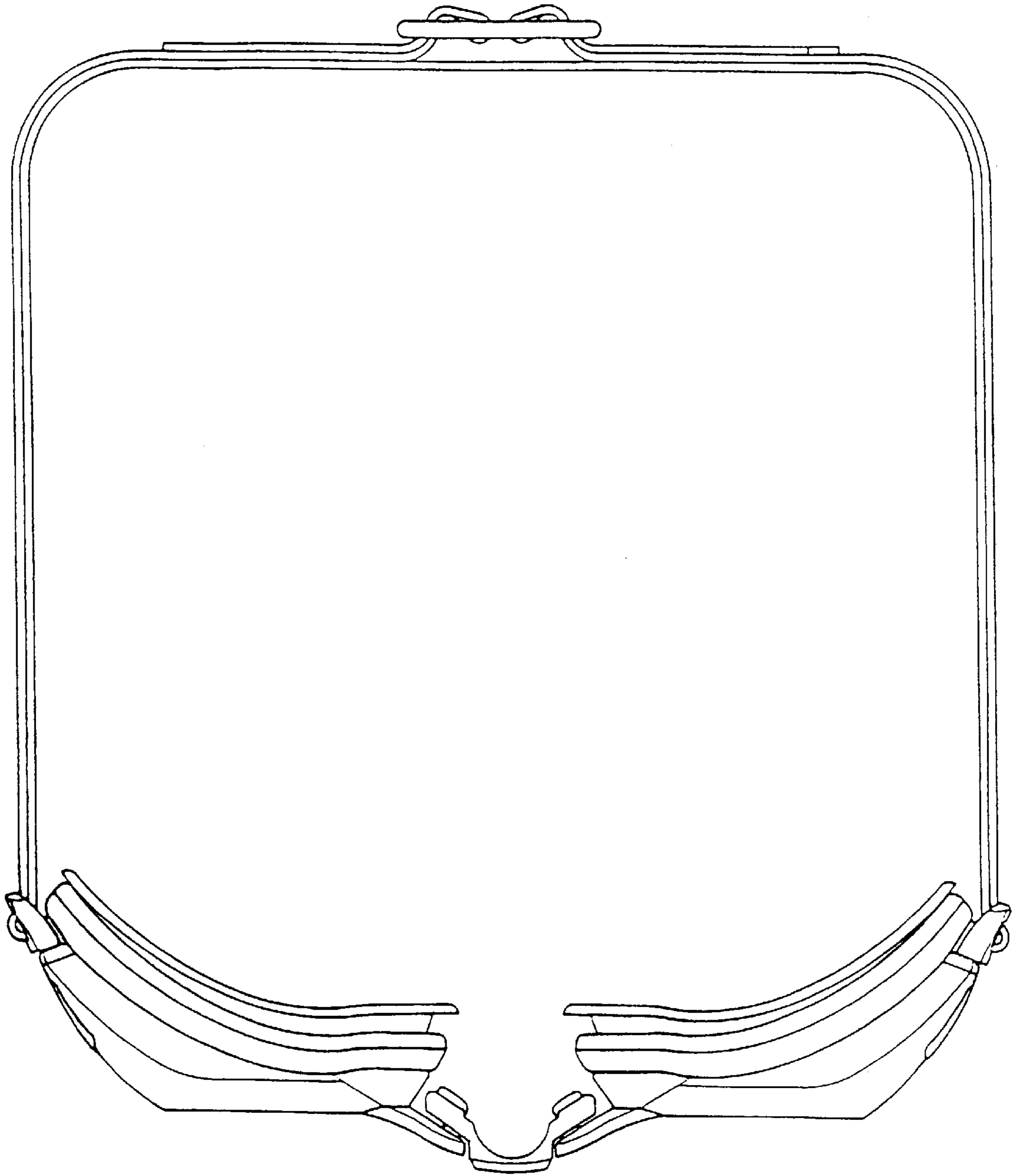


FIG. 6

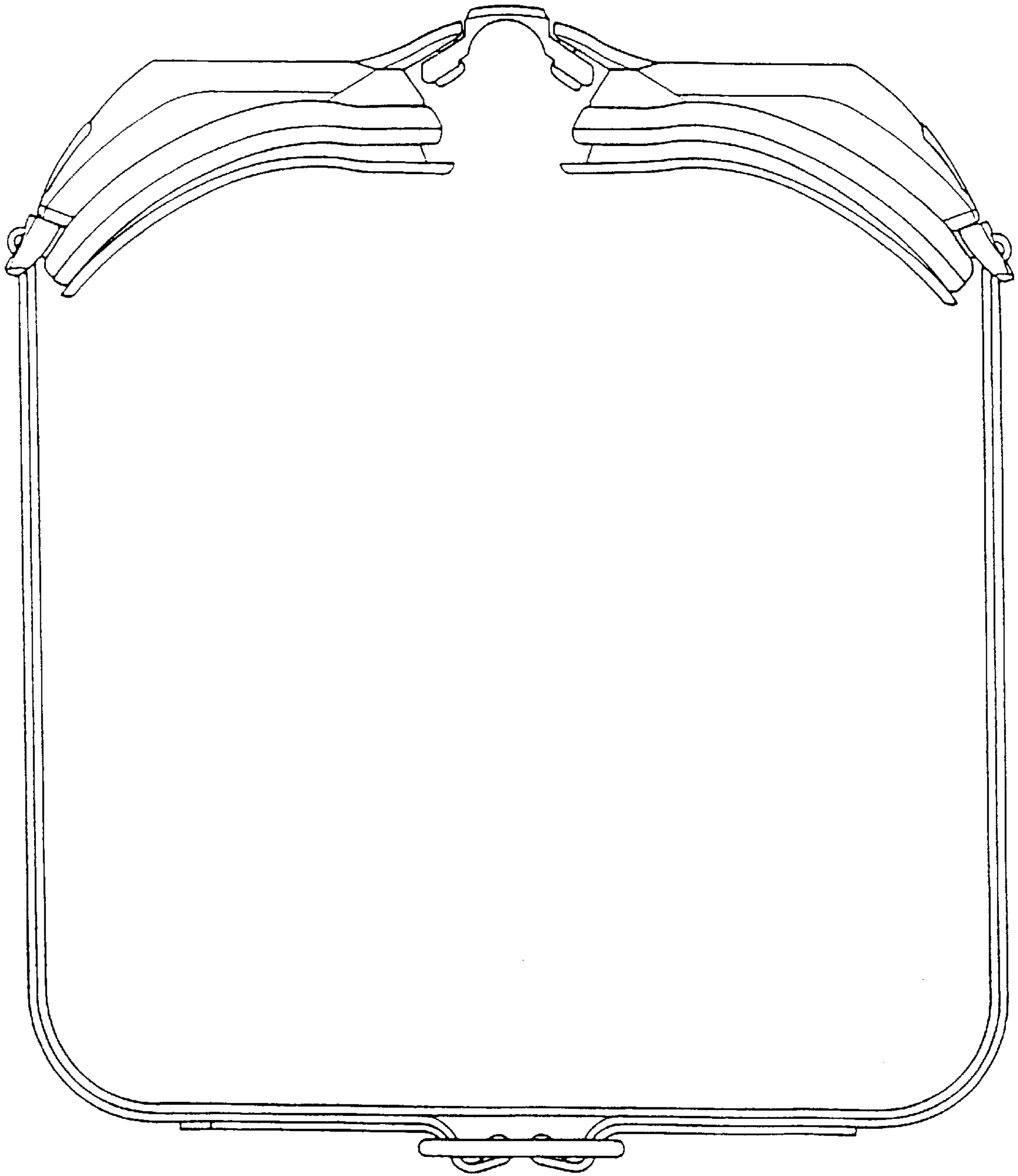


FIG. 7