



US00D435056S

United States Patent [19]

Harata

[11] Patent Number: Des. 435,056

[45] Date of Patent: ** Dec. 12, 2000

[54] **COMBINED VIDEO TAPE RECORDER AND CAMERA**

5,499,052 3/1996 Nakanishi et al. .

OTHER PUBLICATIONS

[75] Inventor: Tomohiro Harata, Tokyo, Japan

Catalog "78", p. 5, Sony (Nov. 1994).

[73] Assignee: Sony Corporation, Japan

Catalog "84", pp. 9 & 10, Sony (Nov. 1996).

[**] Term: 14 Years

Catalog "Inside No. 8", p. 96, Sony (Spring/Summer 1998).

Catalog "Style", p. 159, Sony (Fall/Winter 1998).

[21] Appl. No.: 29/106,800

Primary Examiner—Adir Aronovich

Attorney, Agent, or Firm—Rader, Fishman&Grauer

[22] Filed: Jun. 18, 1999

[57] CLAIM

[51] LOC (7) Cl. 16-01

The ornamental design for a combined video tape recorder and camera, as shown and described.

[52] U.S. Cl. D16/202

[58] Field of Search D16/200-208;
348/373-376; 352/242, 243; 358/906; 396/535-541

DESCRIPTION

[56] References Cited

U.S. PATENT DOCUMENTS

D. 385,568	10/1997	Harata	D16/202
D. 400,900	11/1998	Harata	D16/202
D. 407,424	3/1999	Nakamura	D16/202
D. 414,792	10/1999	Harata	D16/202
D. 416,928	11/1999	Sumita	D16/202
D. 417,230	11/1999	Sumita	D16/202

FIG. 1 is a perspective view of a combined video tape recorder and camera showing my new design;
FIG. 2 is a top plan view thereof;
FIG. 3 is a bottom plan view thereof;
FIG. 4 is a left side elevational view thereof;
FIG. 5 is a right side elevational view thereof;
FIG. 6 is a front elevational view thereof; and,
FIG. 7 is a rear elevational view thereof.

1 Claim, 4 Drawing Sheets

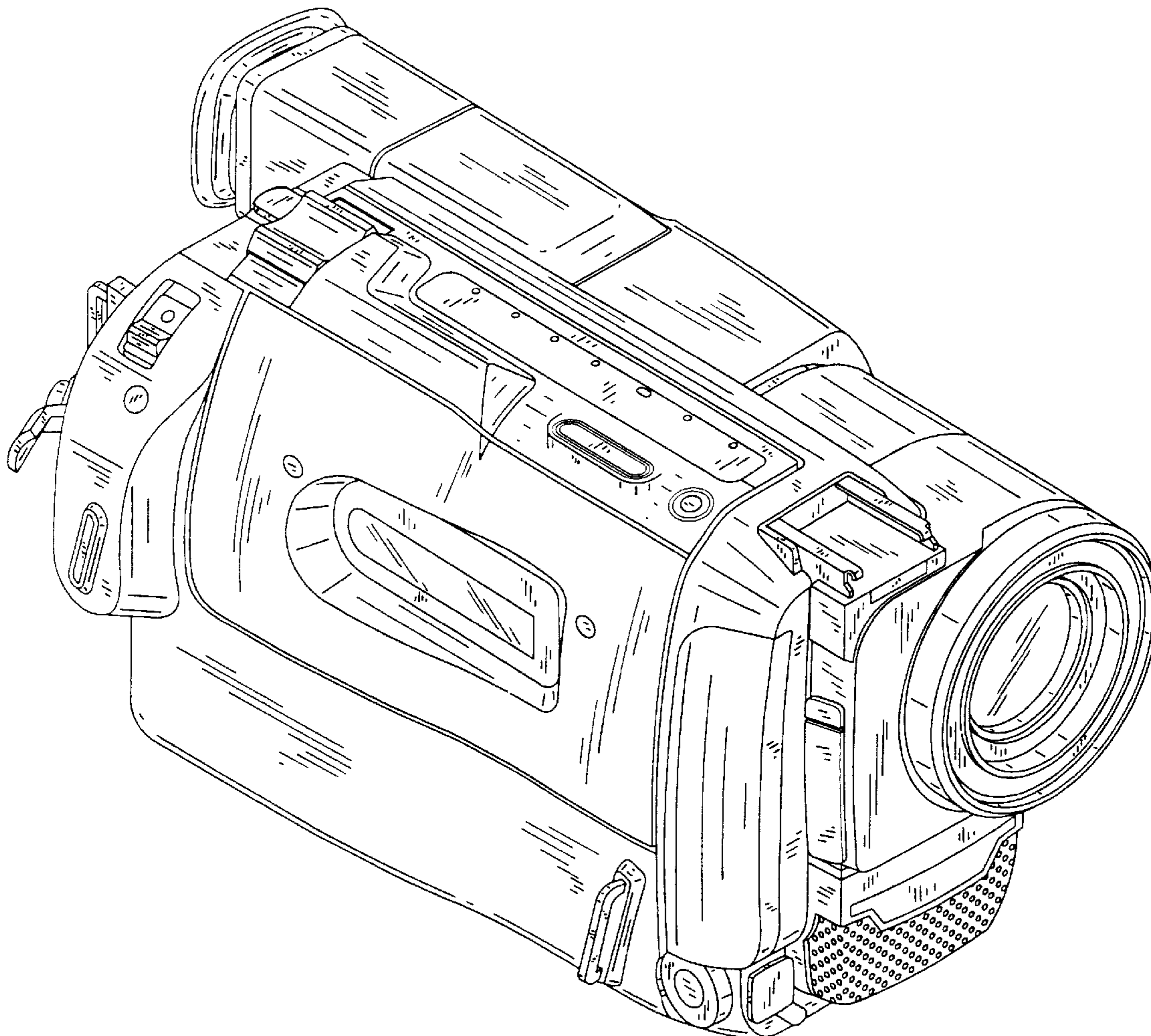


FIG. 1

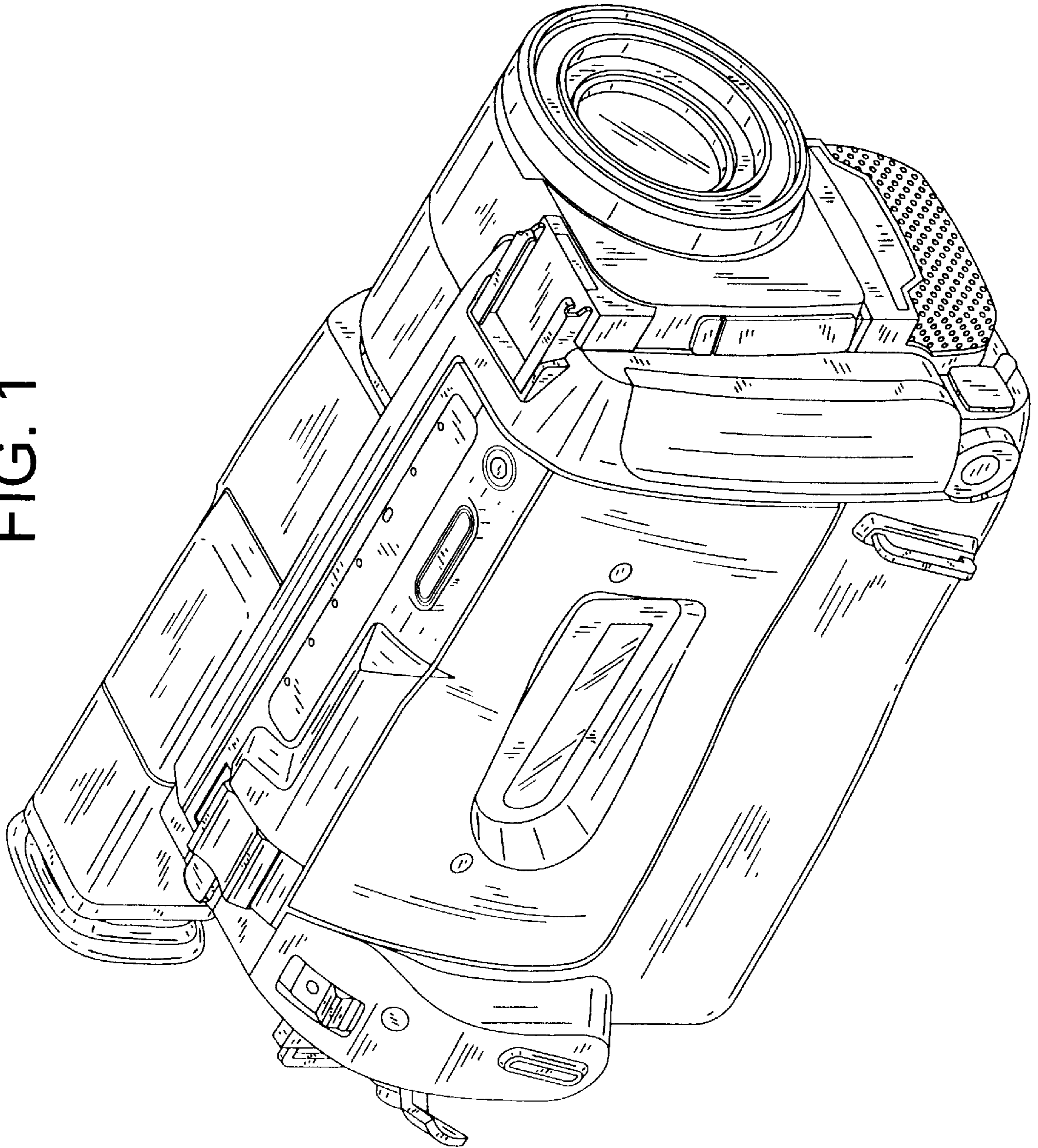


FIG. 3

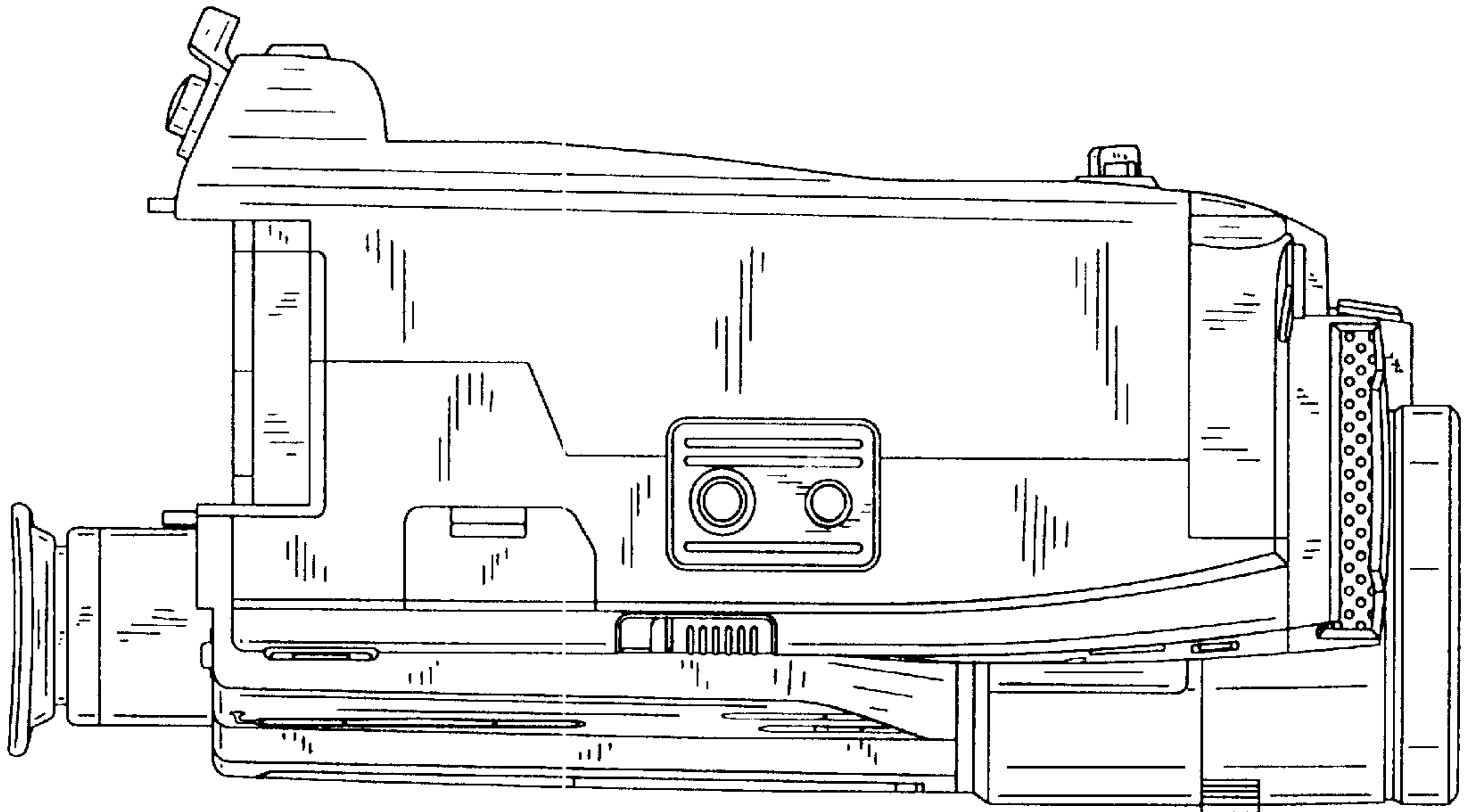


FIG. 2

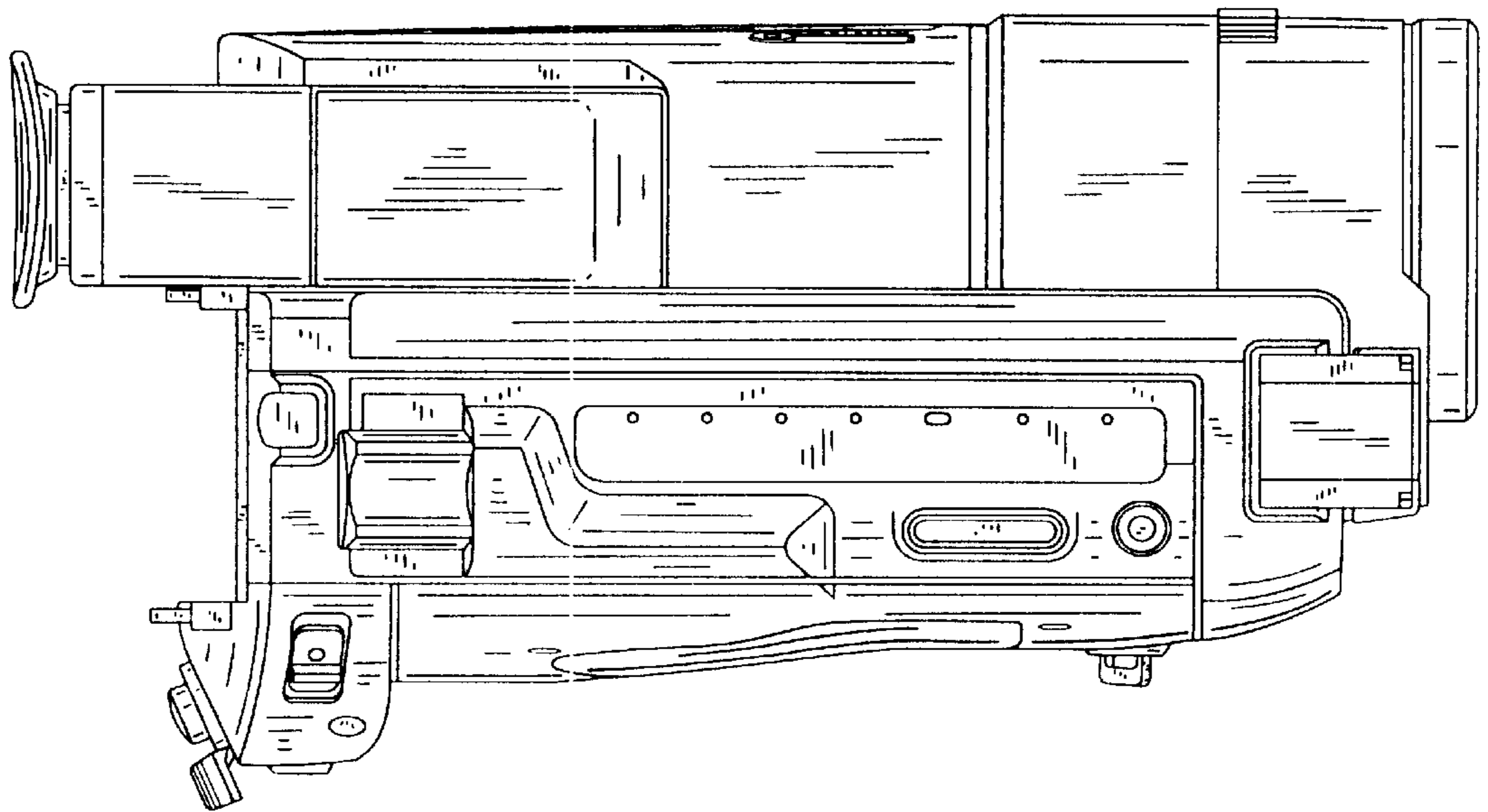


FIG. 4

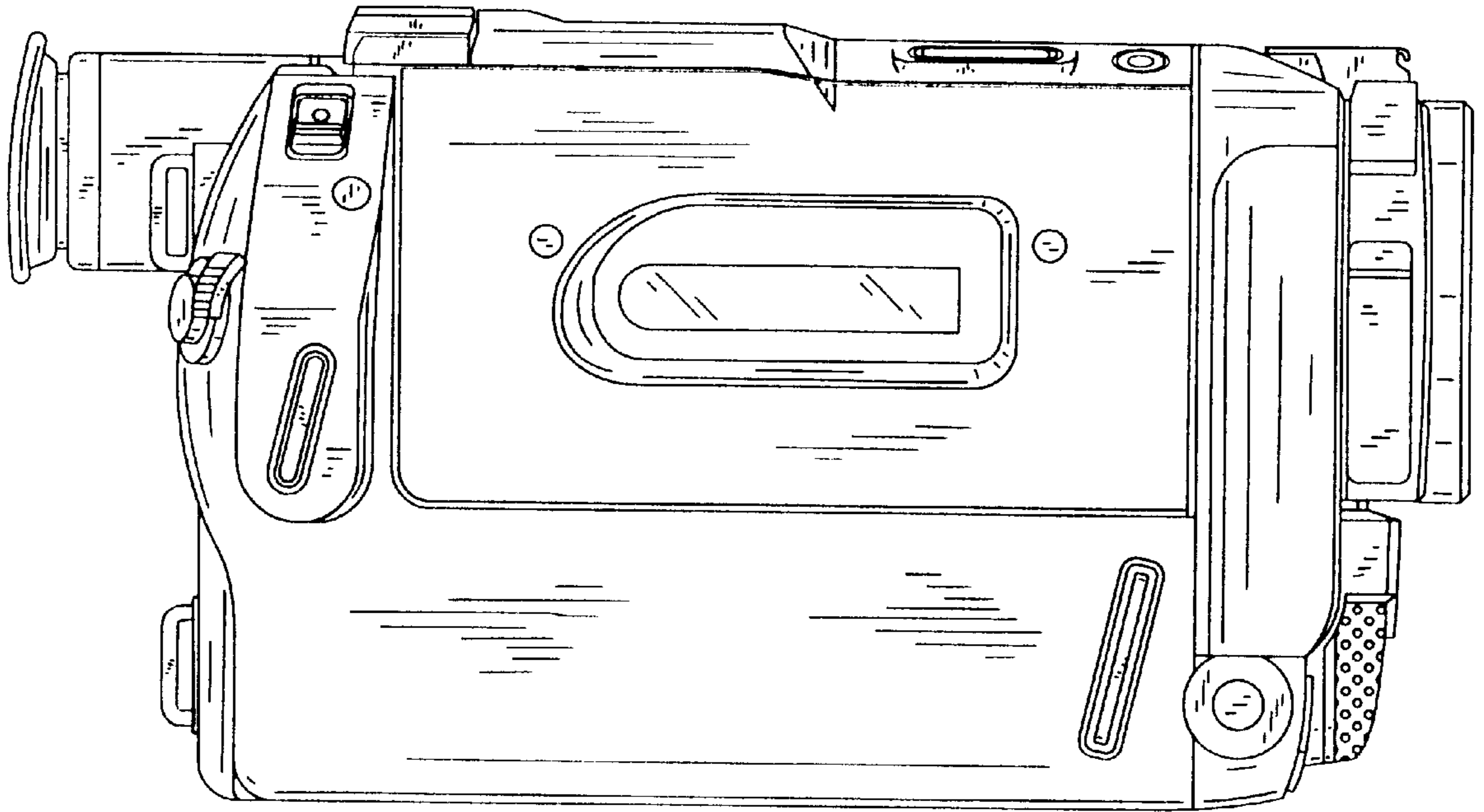


FIG. 5

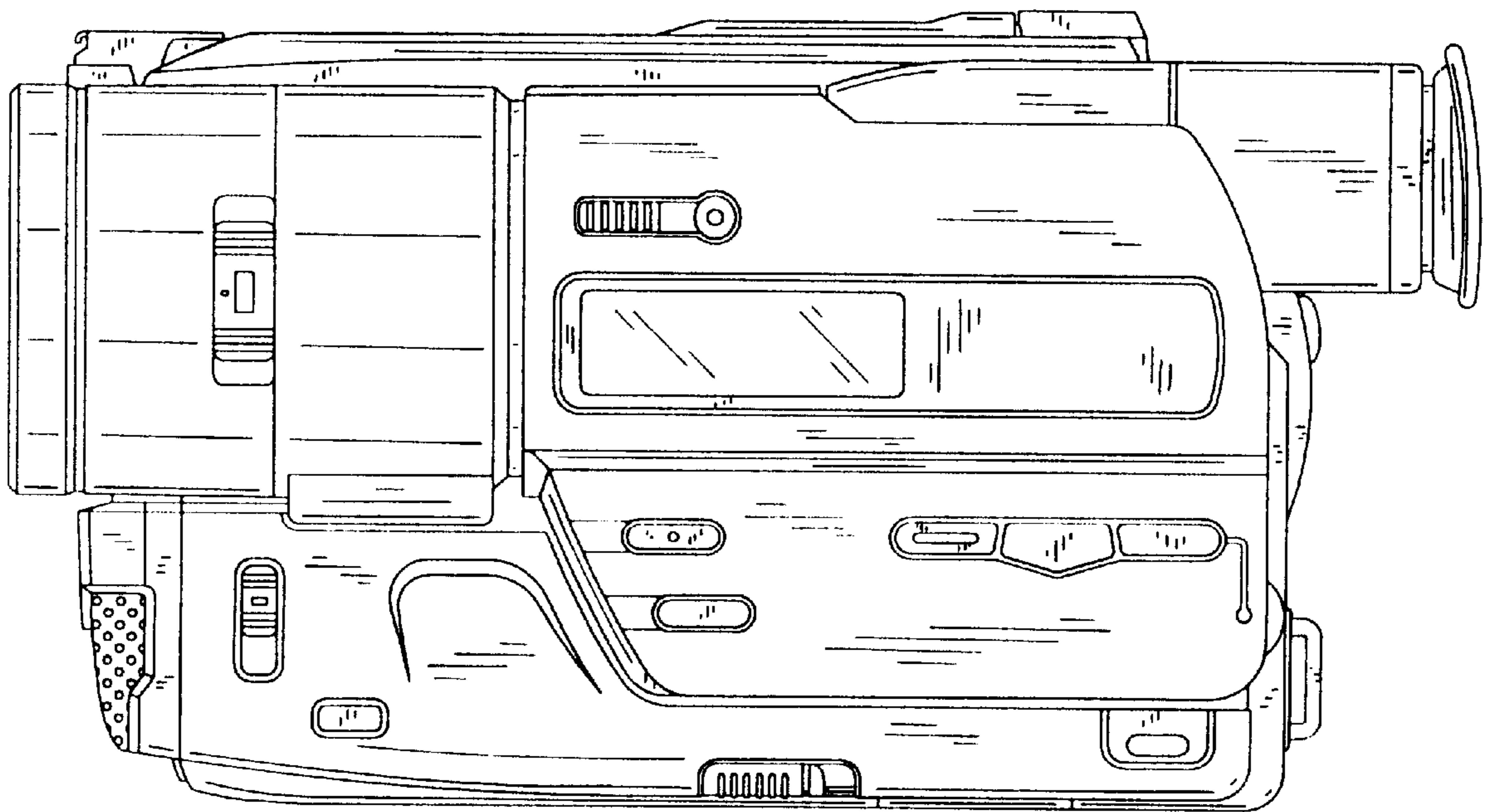


FIG. 7

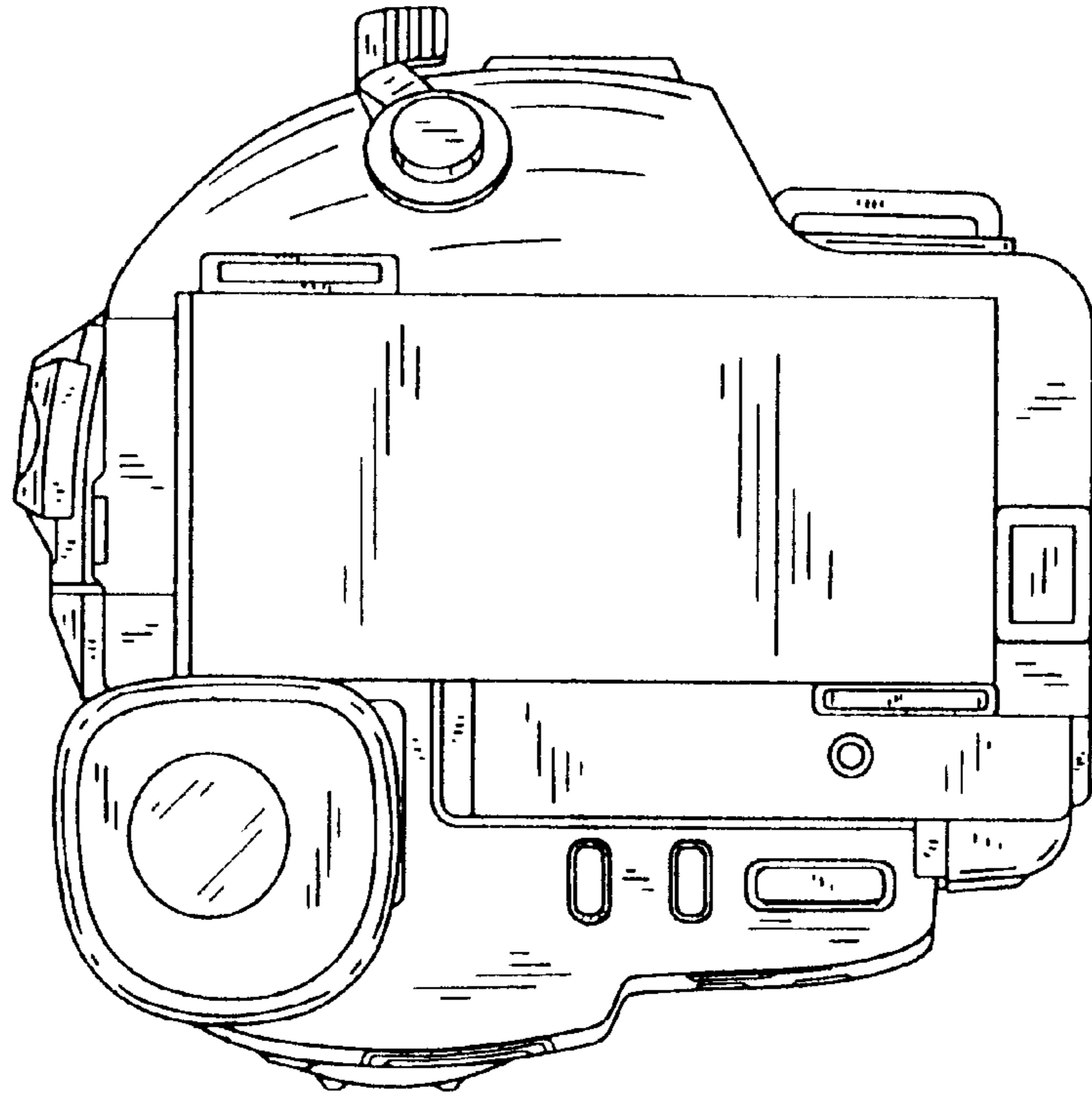


FIG. 6

