



US00D435055S

**United States Patent** [19]  
**Puigcerver et al.**

[11] **Patent Number: Des. 435,055**  
[45] **Date of Patent: \*\* Dec. 12, 2000**

[54] **BUSHING COVER WITH SIGHT WINDOW**

[76] Inventors: **Luis Orlando Puigcerver**, 123 Merry Hill Dr., Raleigh, N.C. 27606; **David Edwin Bowling**, 612 Angier Rd., Fuquay-Varina, N.C. 27526; **Robert Wayne Hobson**, 2919 SW. Brighton Way, Palm City, Fla. 34990

[\*\*] Term: **14 Years**

[21] Appl. No.: **29/107,280**

[22] Filed: **Jun. 30, 1999**

[51] **LOC (7) Cl. .... 15-09**

[52] **U.S. Cl. .... D15/143**

[58] **Field of Search ..... D15/143; 384/271-282**

[56] **References Cited**

**U.S. PATENT DOCUMENTS**

5,094,548 3/1992 Danly, Sr. .... 384/279 R X  
5,159,272 10/1992 Rao et al. .... 384/279 X

*Primary Examiner*—Antoine Duval Davis  
*Attorney, Agent, or Firm*—Myers Bigel Sibley & Sajovec

[57] **CLAIM**

The ornamental design for a bushing cover with sight window, as shown and described.

**DESCRIPTION**

FIG. 1 is a front perspective view of a bushing cover with sight window according to a first embodiment showing our new design with an electrical bushing being shown in dashed lines for illustrative purposes;  
FIG. 2 is a front elevational view of the bushing cover with sight window of FIG. 1;  
FIG. 3 is a rear elevational view of the bushing cover with sight window of FIG. 1;  
FIG. 4 is a right side elevational view of the bushing cover with sight window of FIG. 1;  
FIG. 5 is a left side elevational view of the bushing cover with sight window of FIG. 1;  
FIG. 6 is a top plan view of the bushing cover with sight window of FIG. 1;

FIG. 7 is a bottom plan view of the bushing cover with sight window of FIG. 1;

FIG. 8 is a front elevational view of a bushing cover with sight window according to a second embodiment, the remaining views of the bushing cover with sight window according to the second embodiment being the same as shown in FIGS. 3-7;

FIG. 9 is a front perspective view of a bushing cover with sight window according to a third embodiment showing our new design with an electrical bushing being shown in dashed lines for illustrative purposes, a front elevational view of the bushing cover with sight window according to the third embodiment being the same as shown in FIG. 2;

FIG. 10 is a rear elevational view of the bushing cover with sight window of FIG. 9;

FIG. 11 is a right side elevational view of the bushing cover with sight window of FIG. 9;

FIG. 12 is a left side elevational view of the bushing cover with sight window of FIG. 9;

FIG. 13 is a top plan view of the bushing cover with sight window of FIG. 9;

FIG. 14 is a bottom plan view of the bushing cover with sight window of FIG. 9;

FIG. 15 is a front perspective view of a bushing cover with sight window according to a fourth embodiment showing our new design with an electrical bushing being shown in dashed lines for illustrative purposes;

FIG. 16 is a front elevational view of the bushing cover with sight window of FIG. 15;

FIG. 17 is a rear elevational view of the bushing cover with sight window of FIG. 15;

FIG. 18 is a right side elevational view of the bushing cover with sight window of FIG. 15;

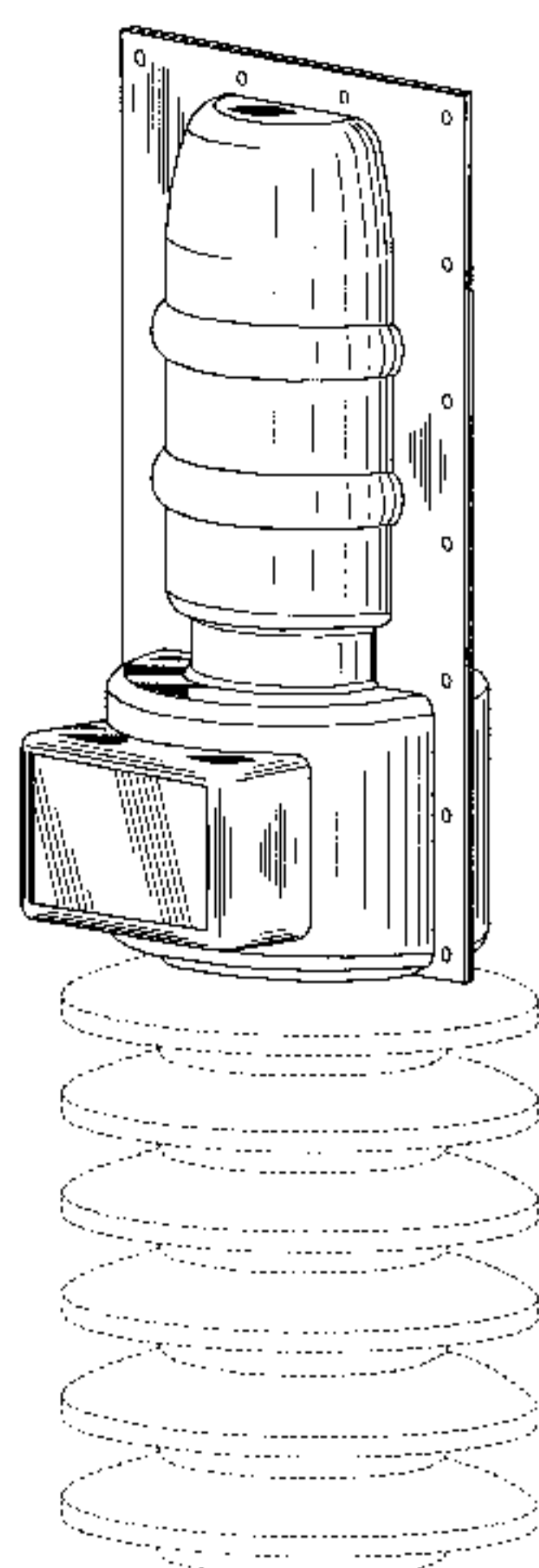
FIG. 19 is a left side elevational view of the bushing cover with sight window of FIG. 15;

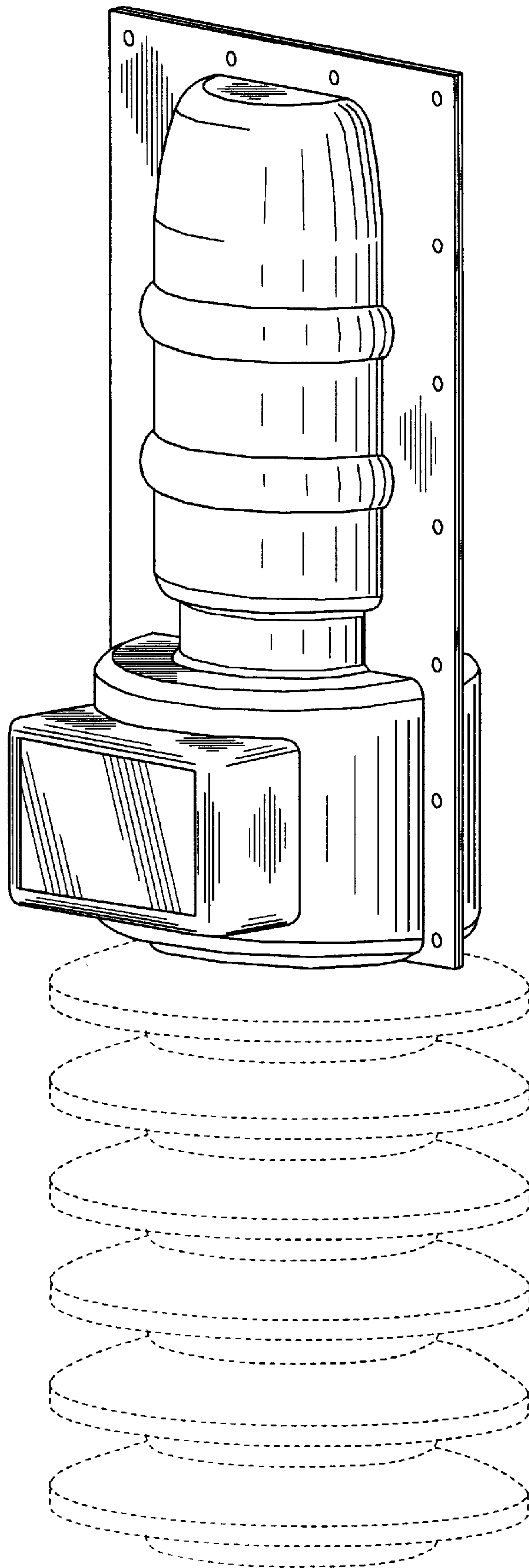
FIG. 20 is a top plan view of the bushing cover with sight window of FIG. 15; and,

FIG. 21 is a bottom plan view of the bushing cover with sight window of FIG. 15.

The dashed lines in the drawings are provided to illustrate the environment of the claimed invention and do not form a part of the claimed invention.

**1 Claim, 21 Drawing Sheets**





*FIG. 1.*

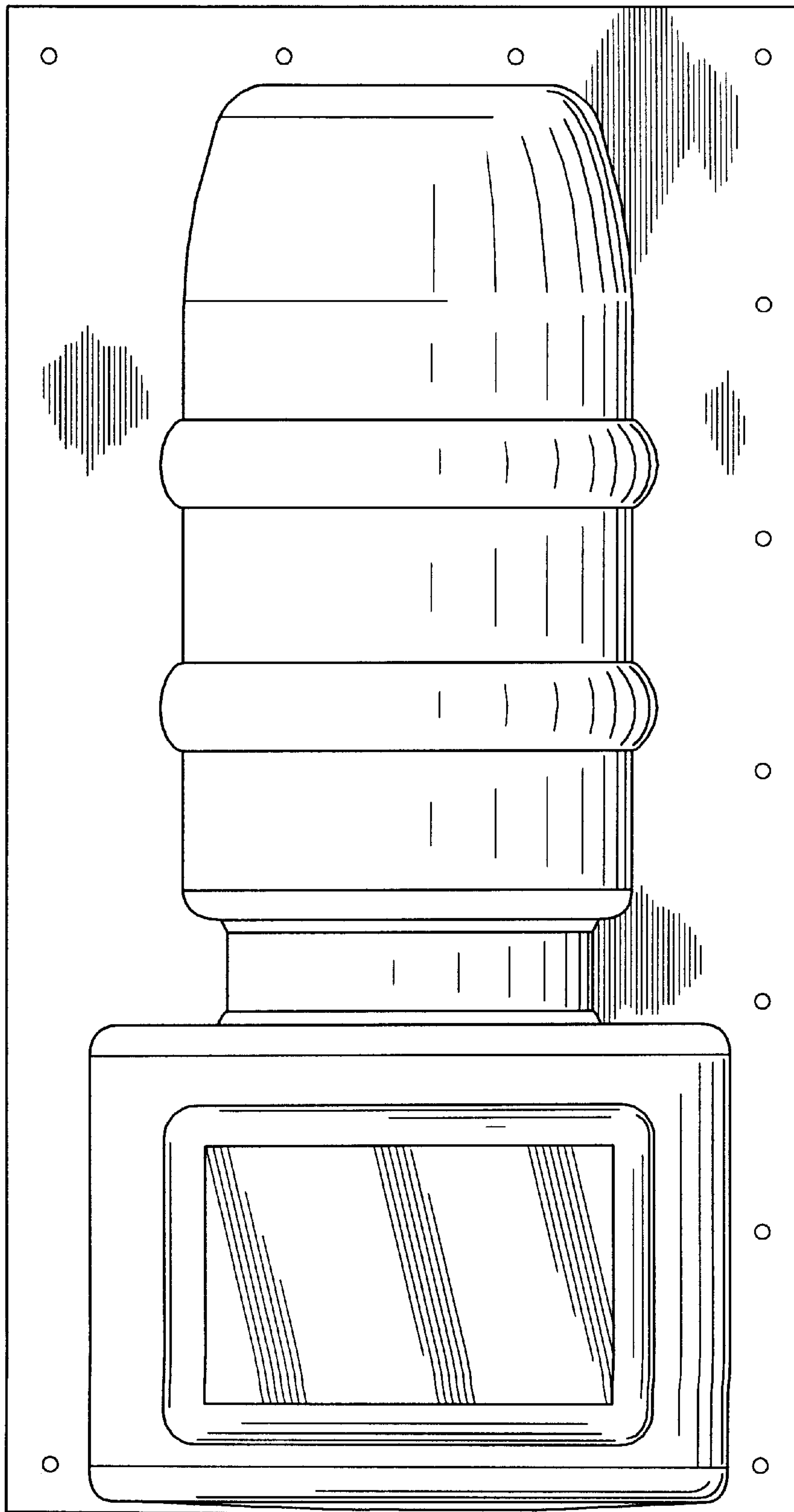


FIG. 2.

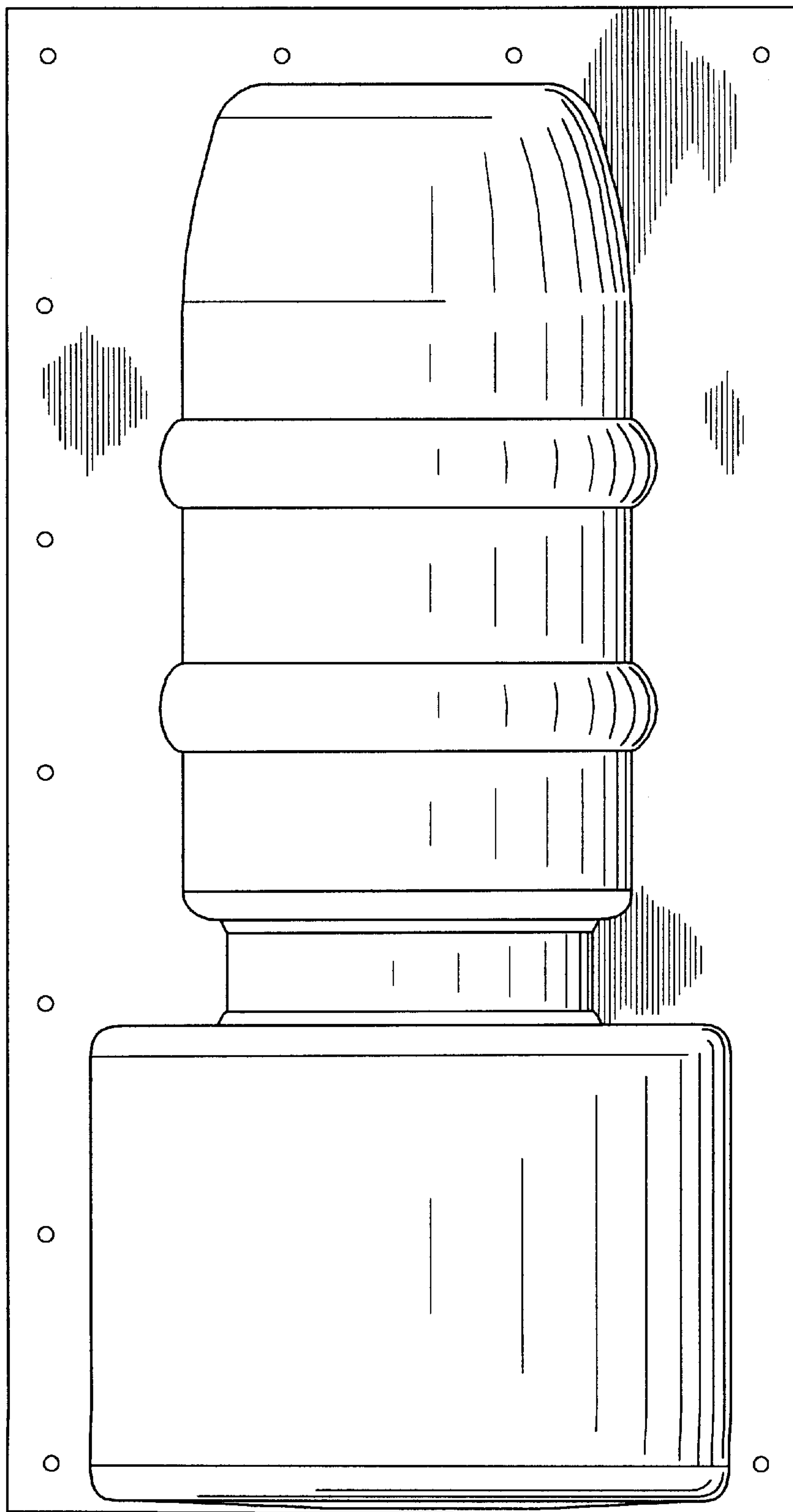


FIG. 3.

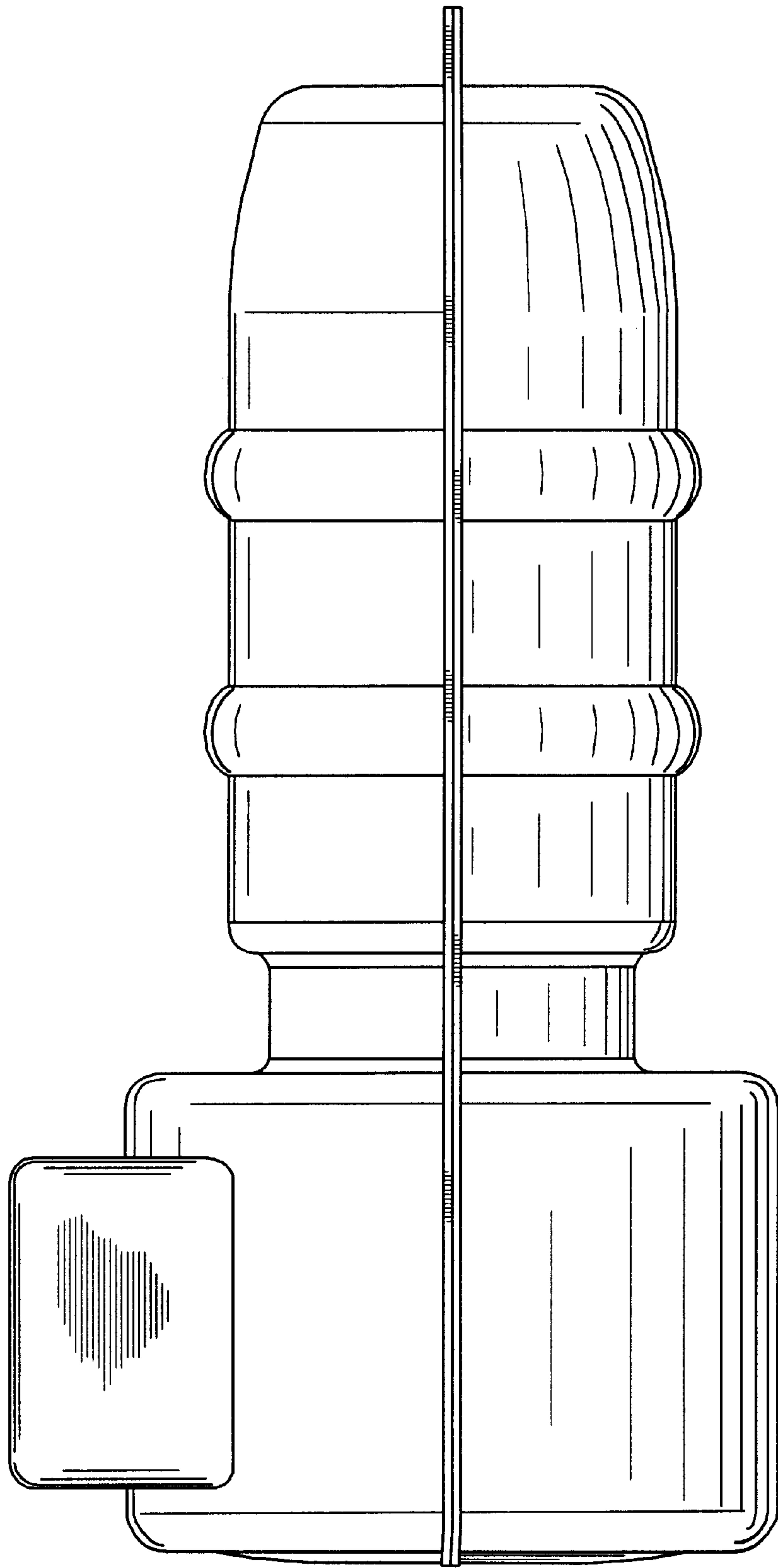


FIG. 4.

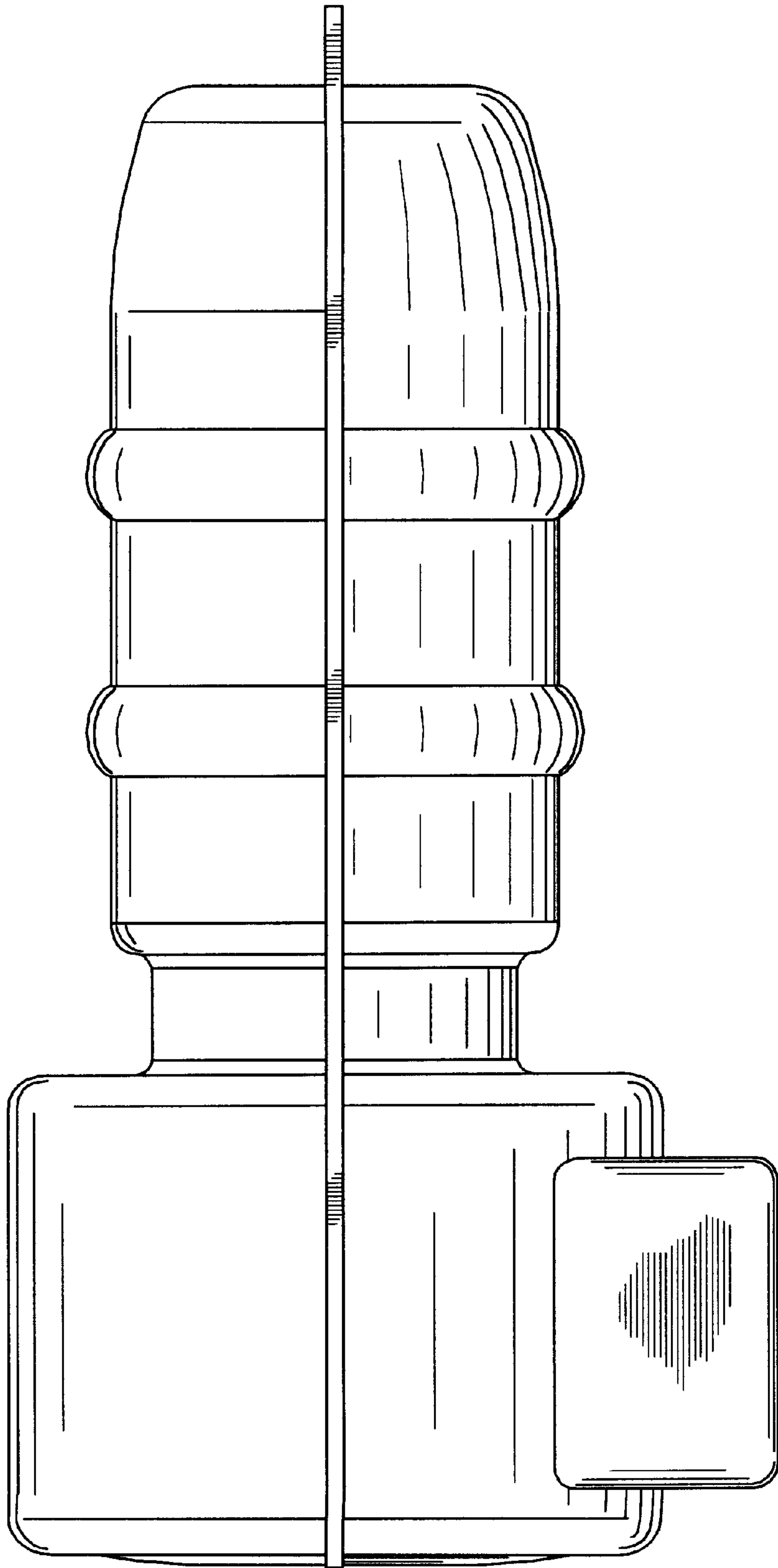
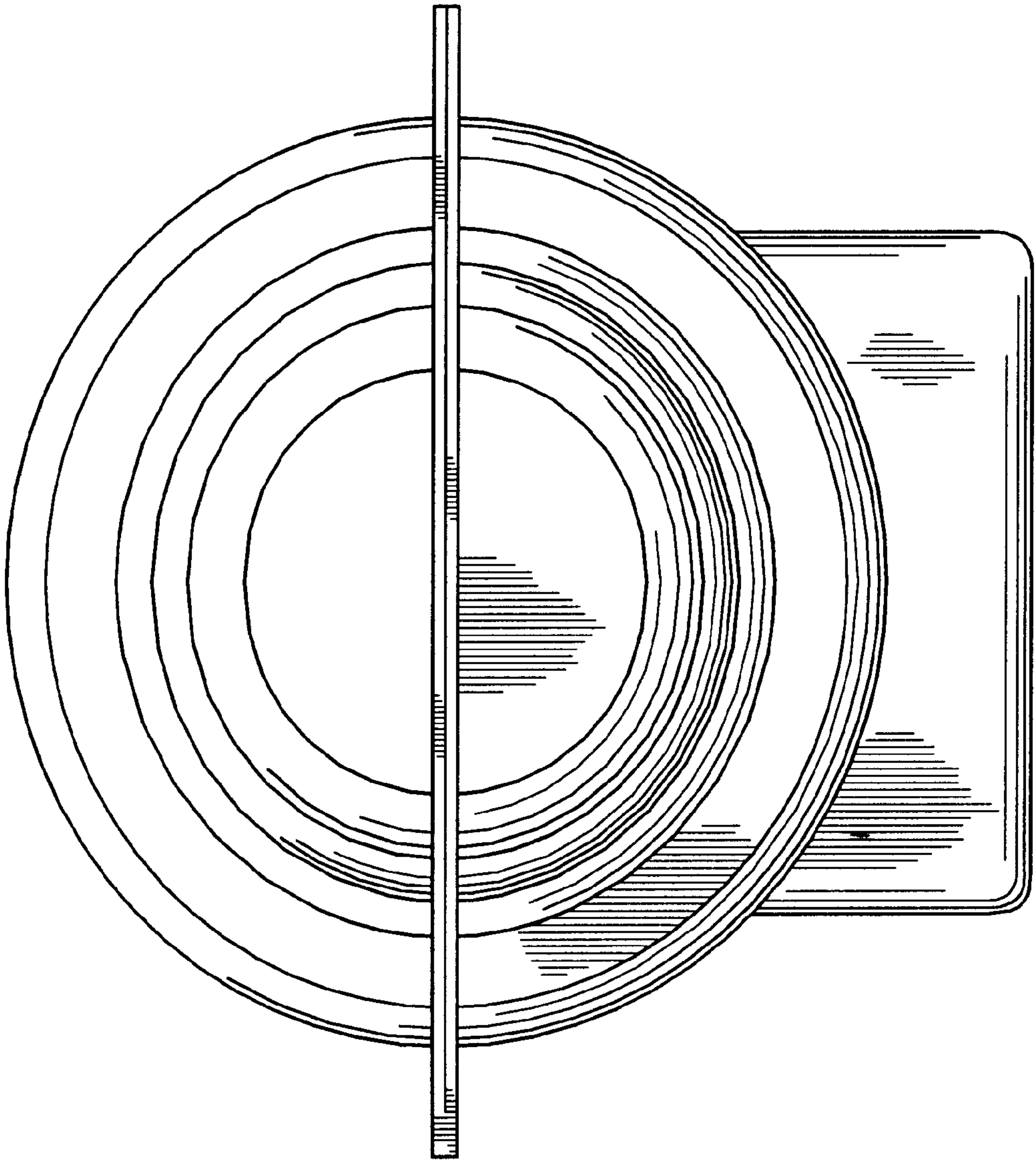
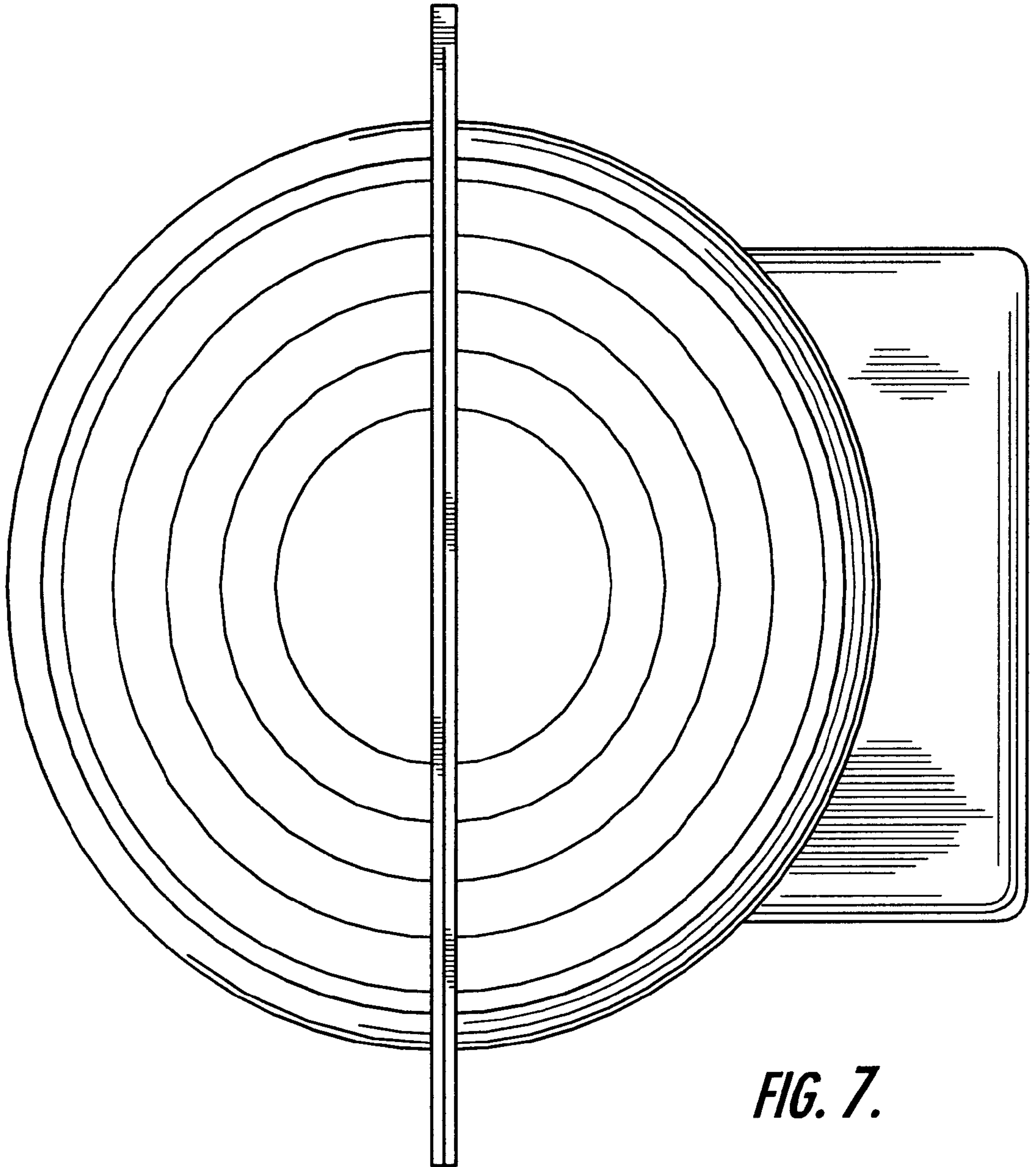


FIG. 5.





**FIG. 6.**



**FIG. 7.**



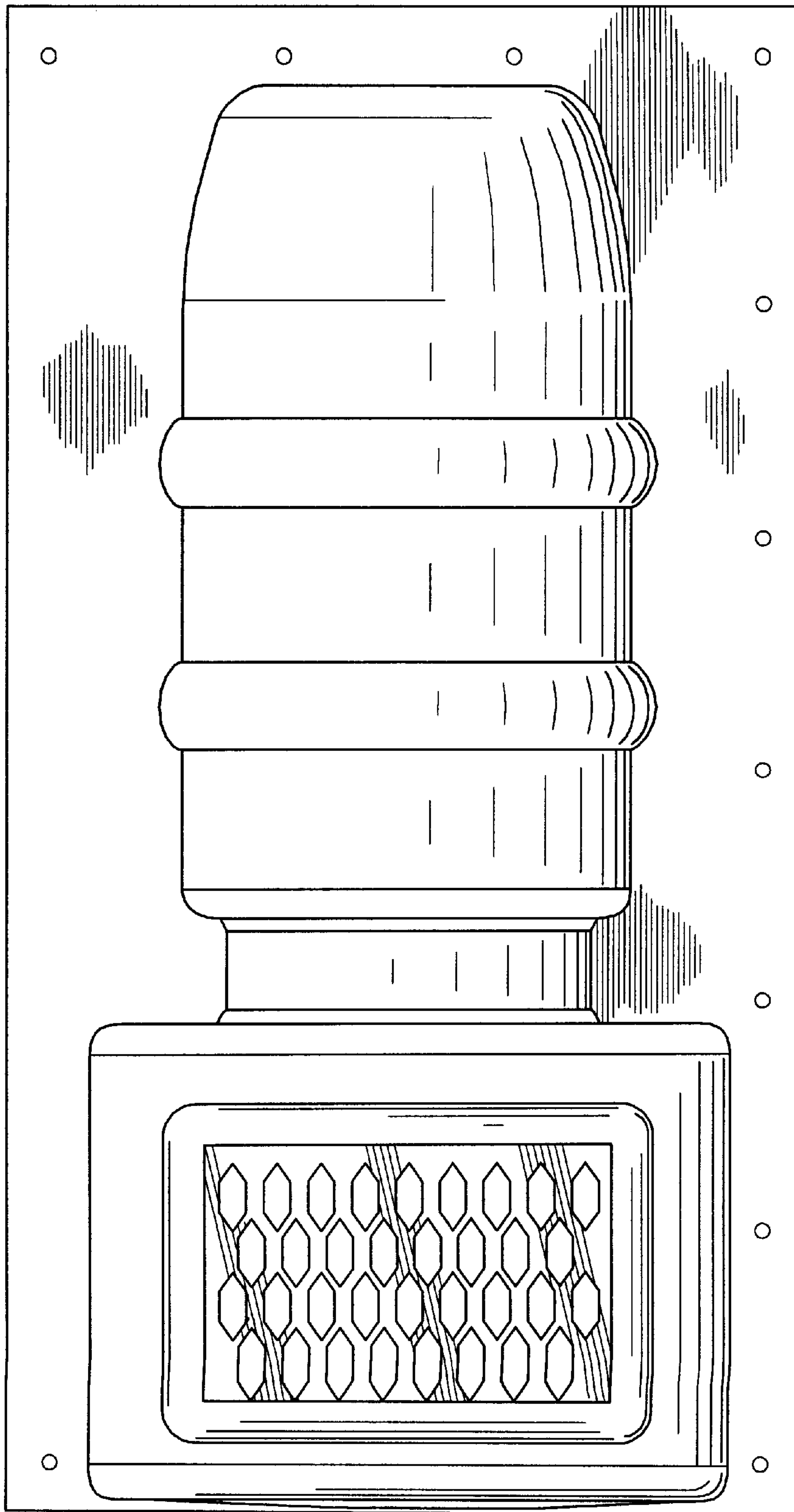
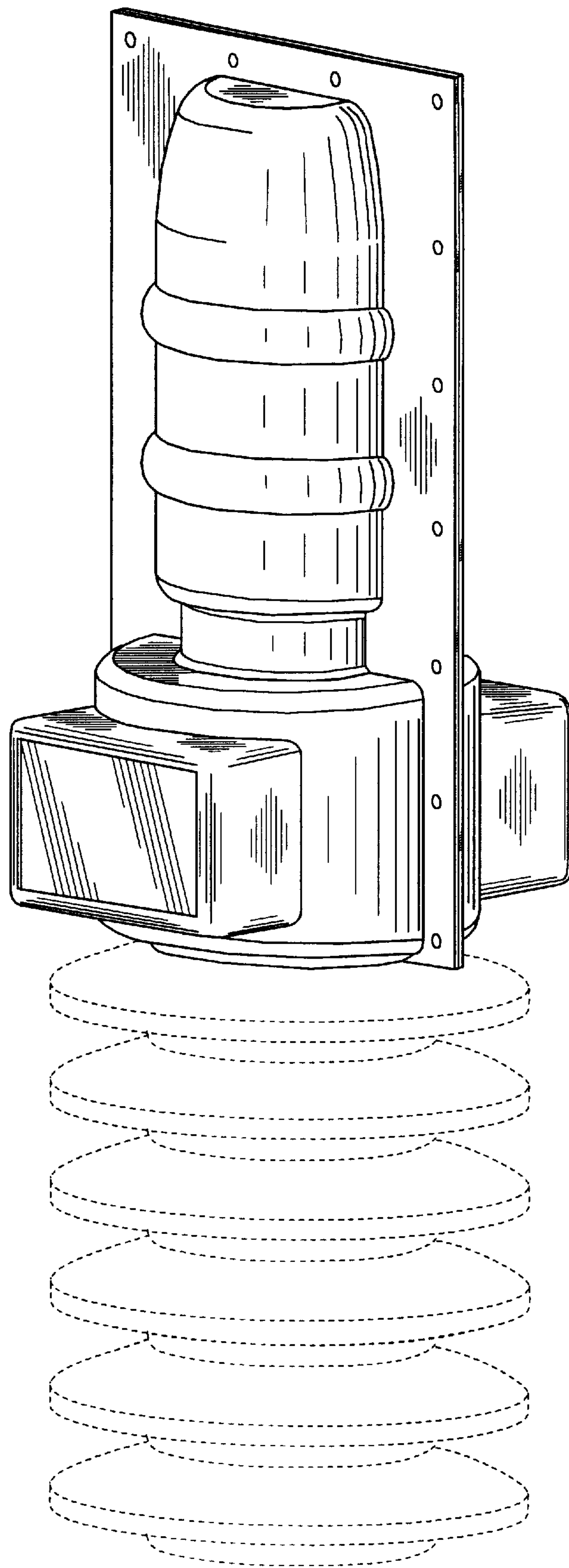


FIG. 8.



*FIG. 9.*

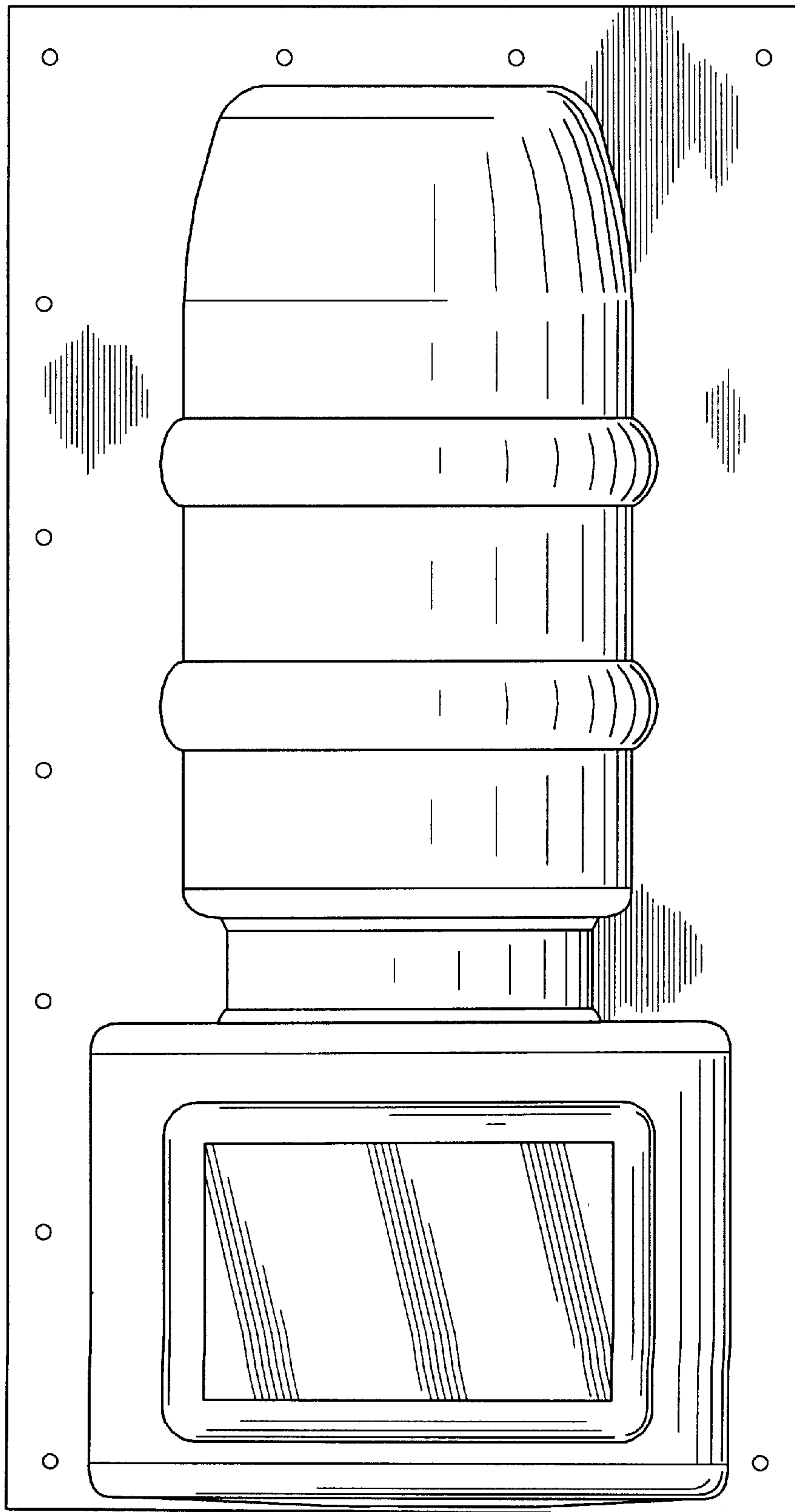
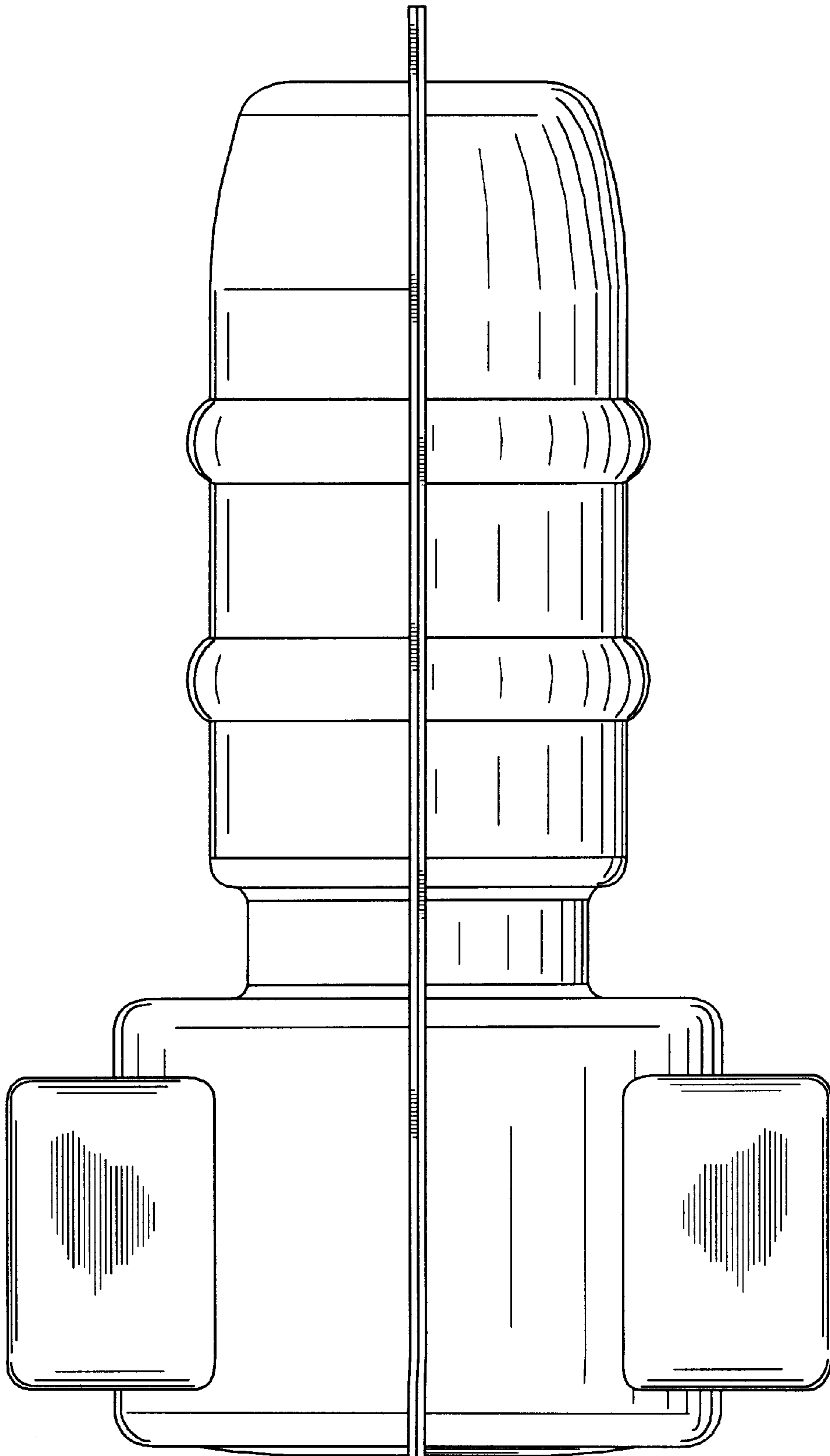
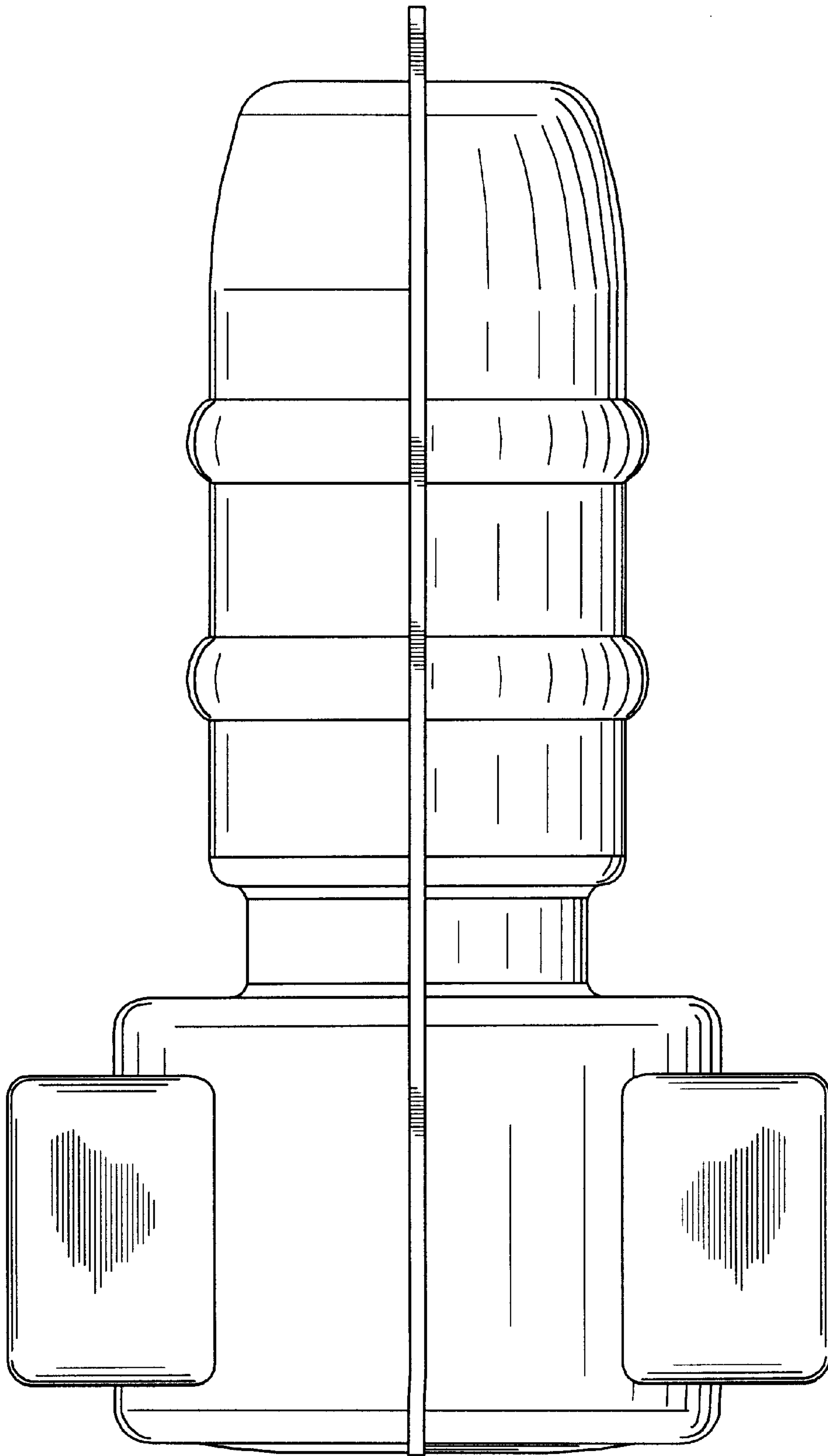


FIG. 10.

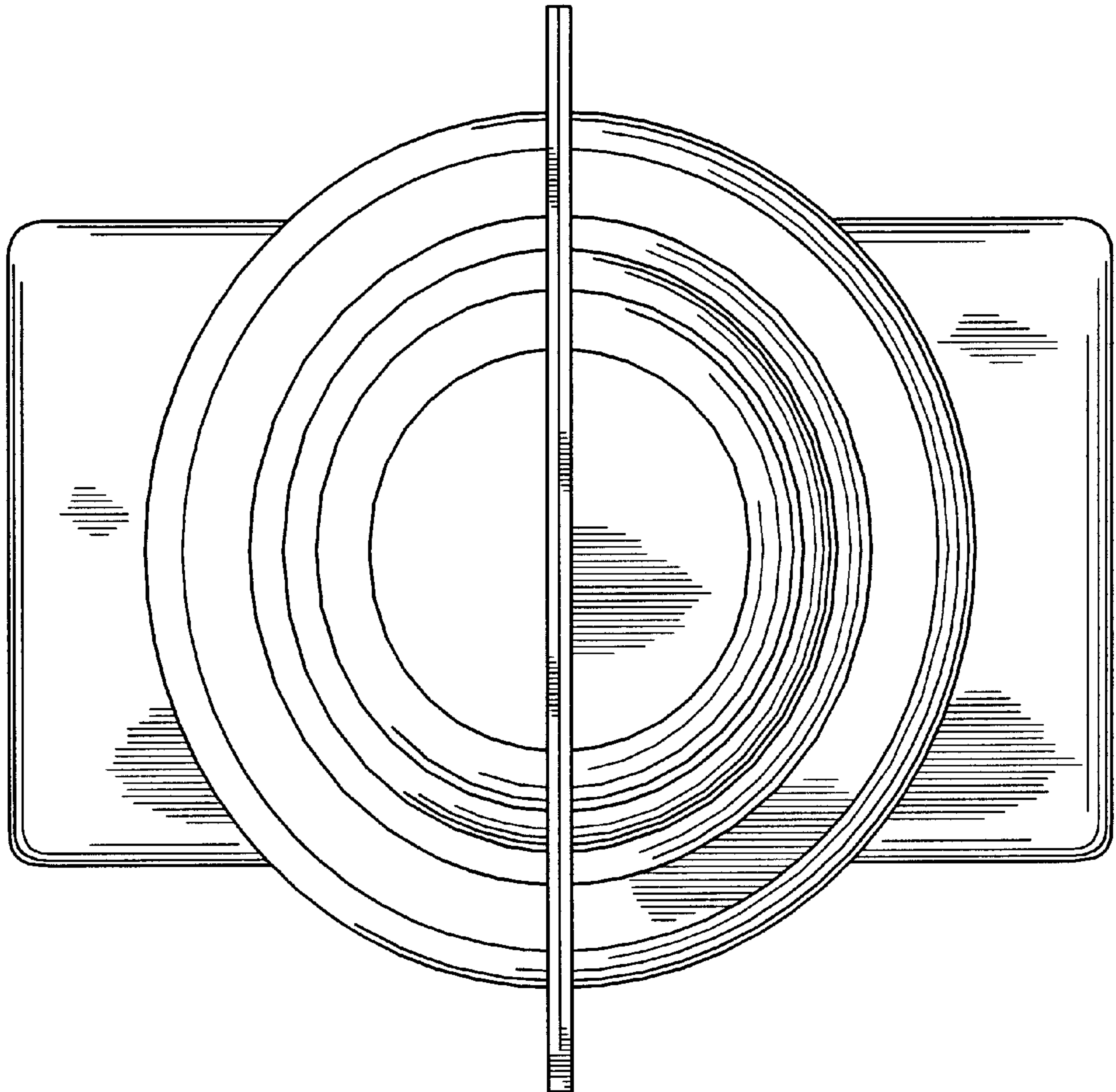


*FIG. 11.*

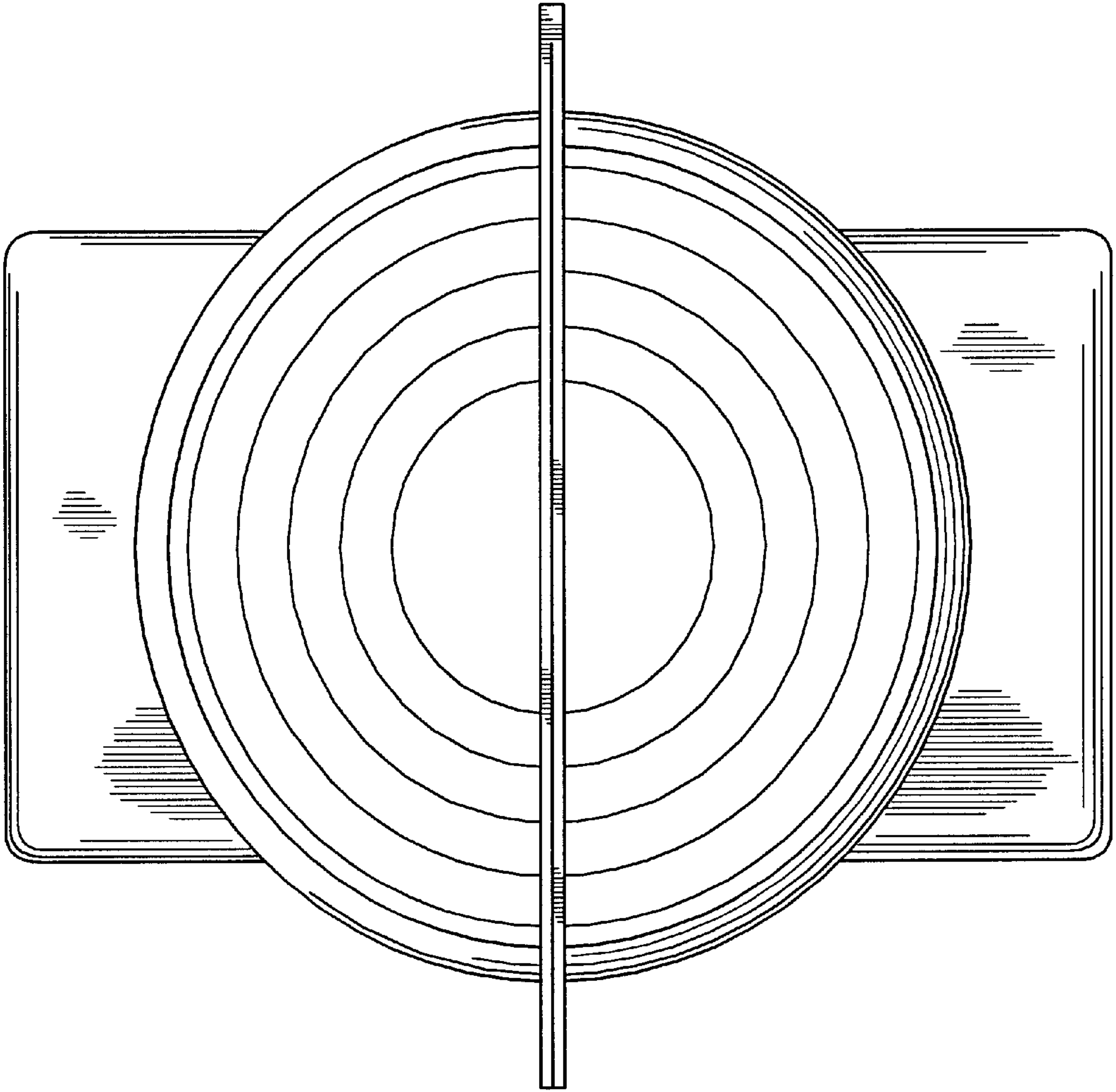


*FIG. 12.*

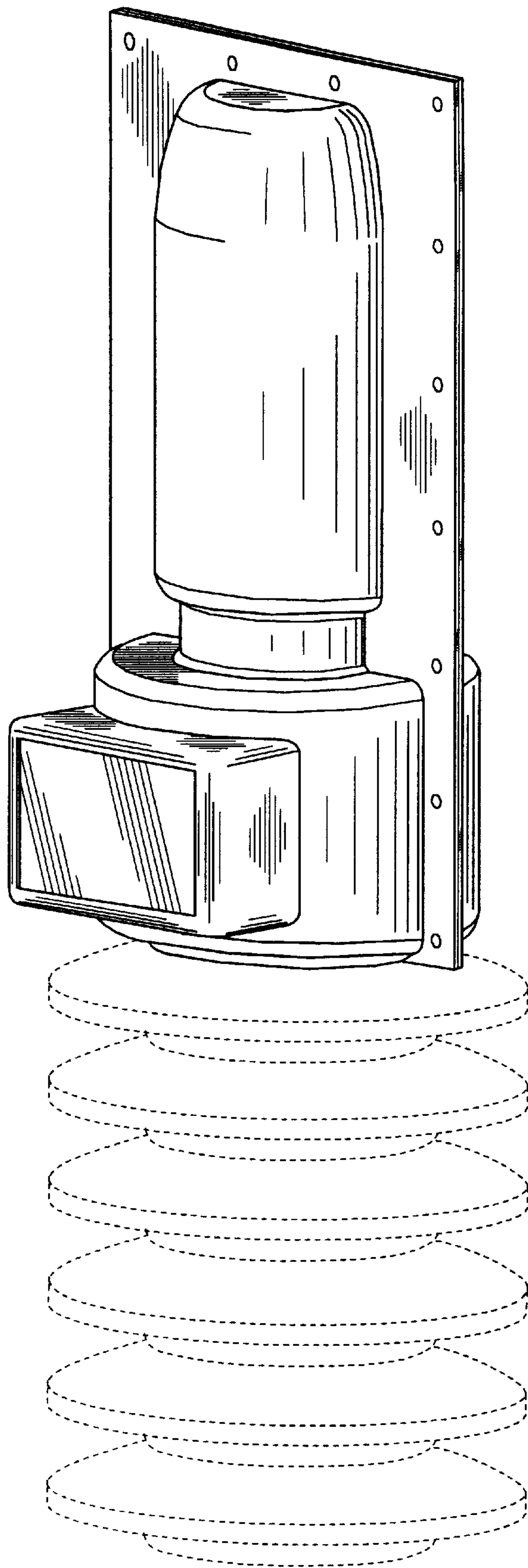




*FIG. 13.*



*FIG. 14.*



*FIG. 15.*

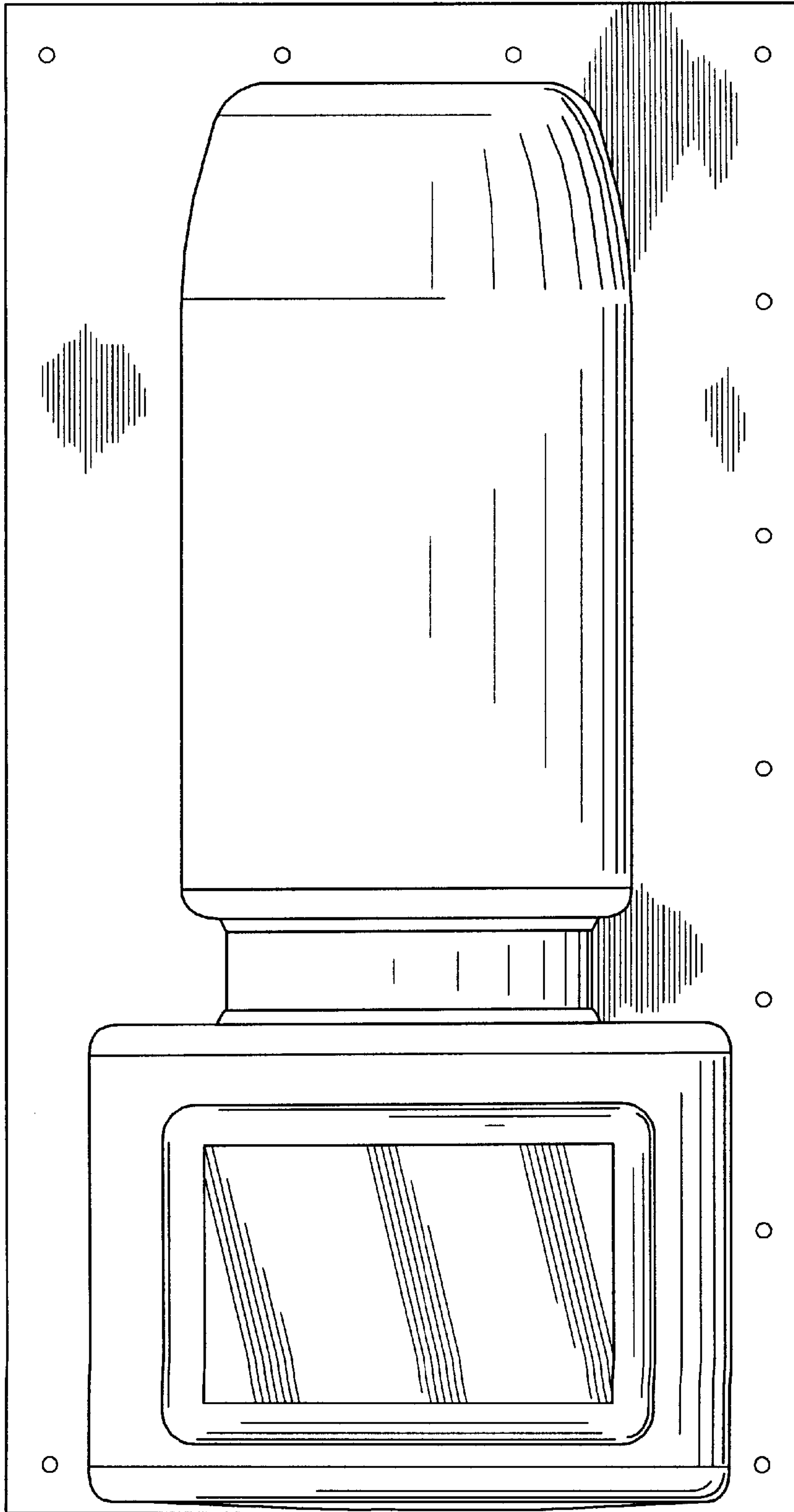
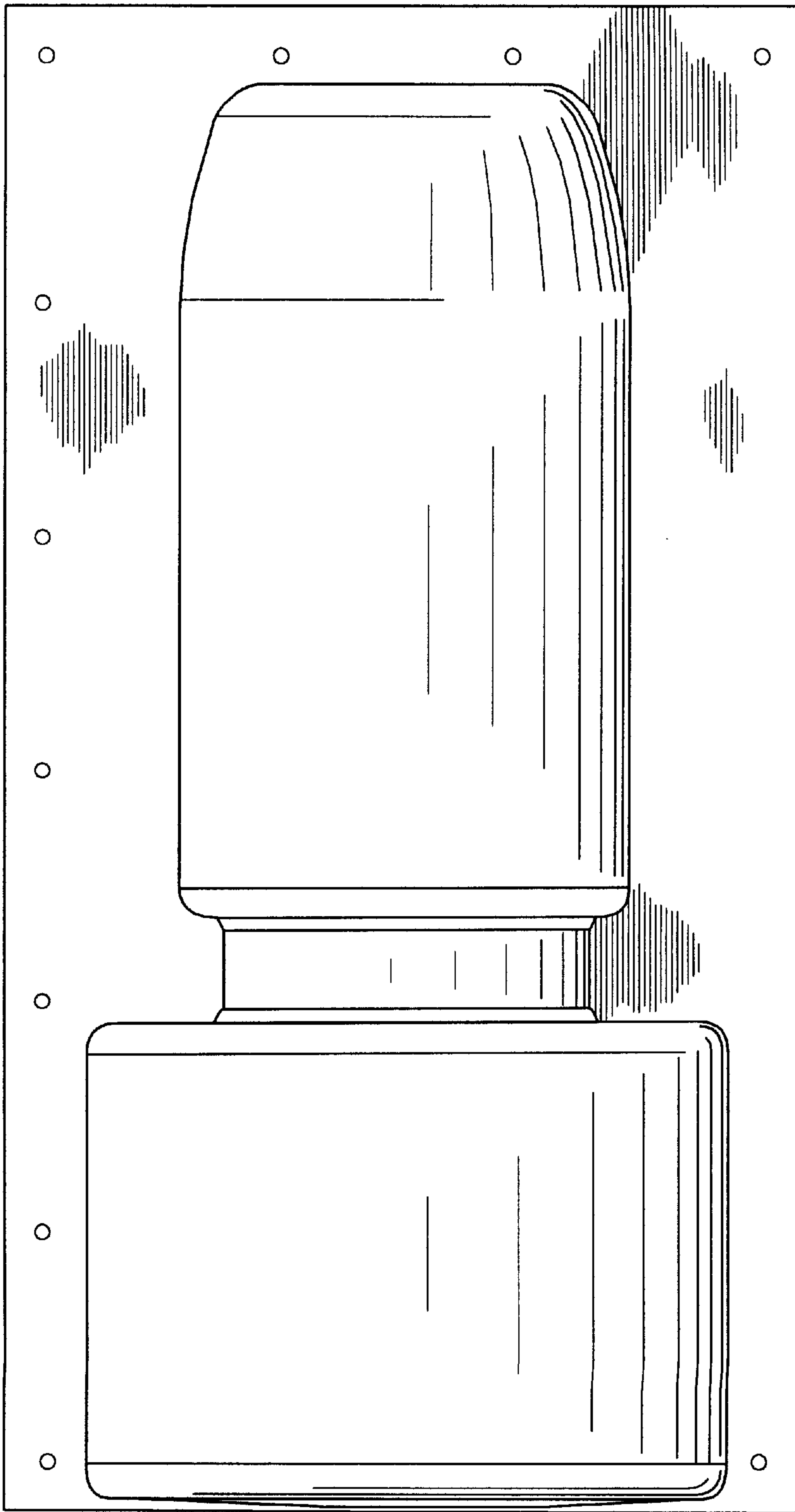
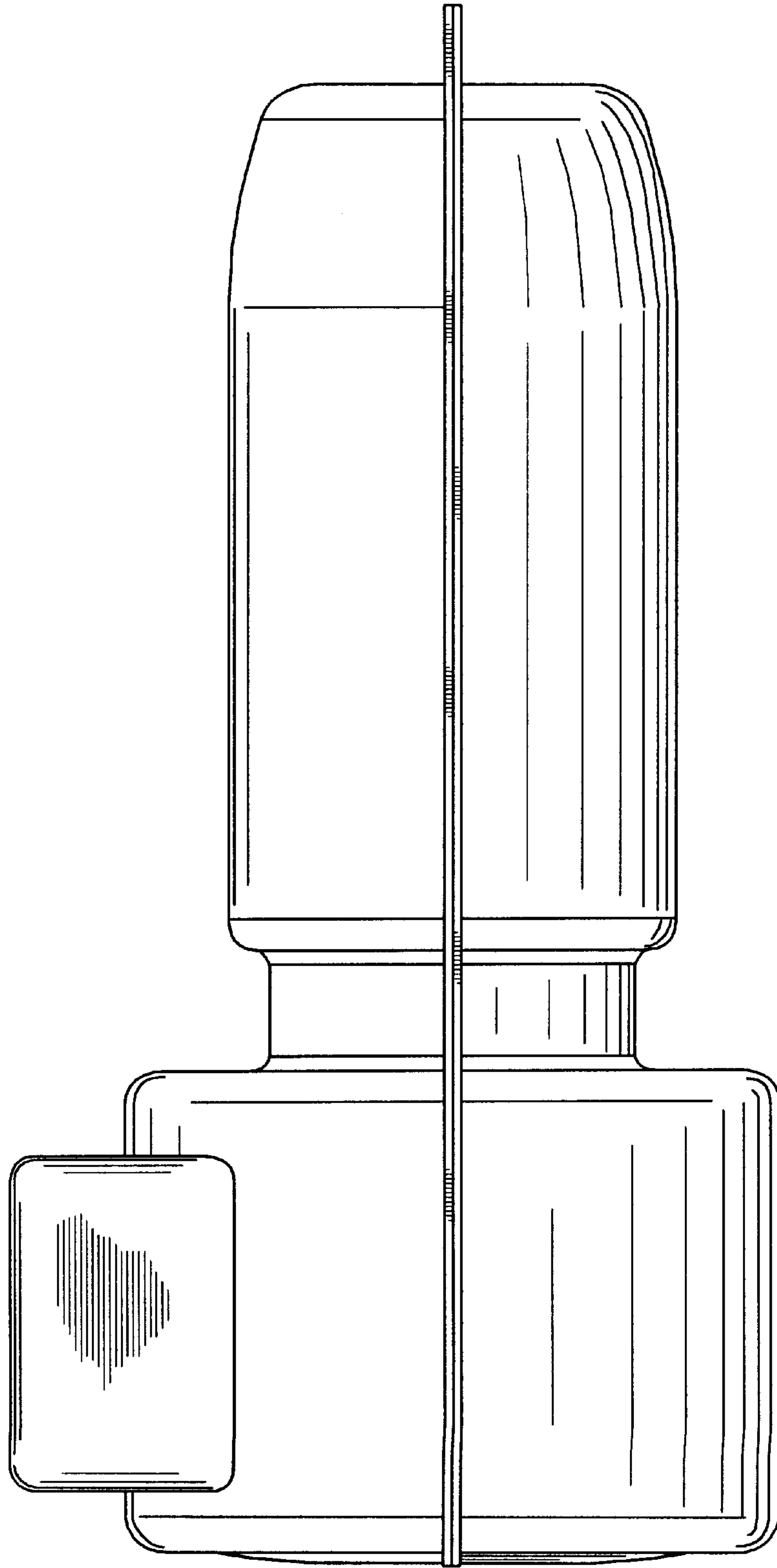


FIG. 16.

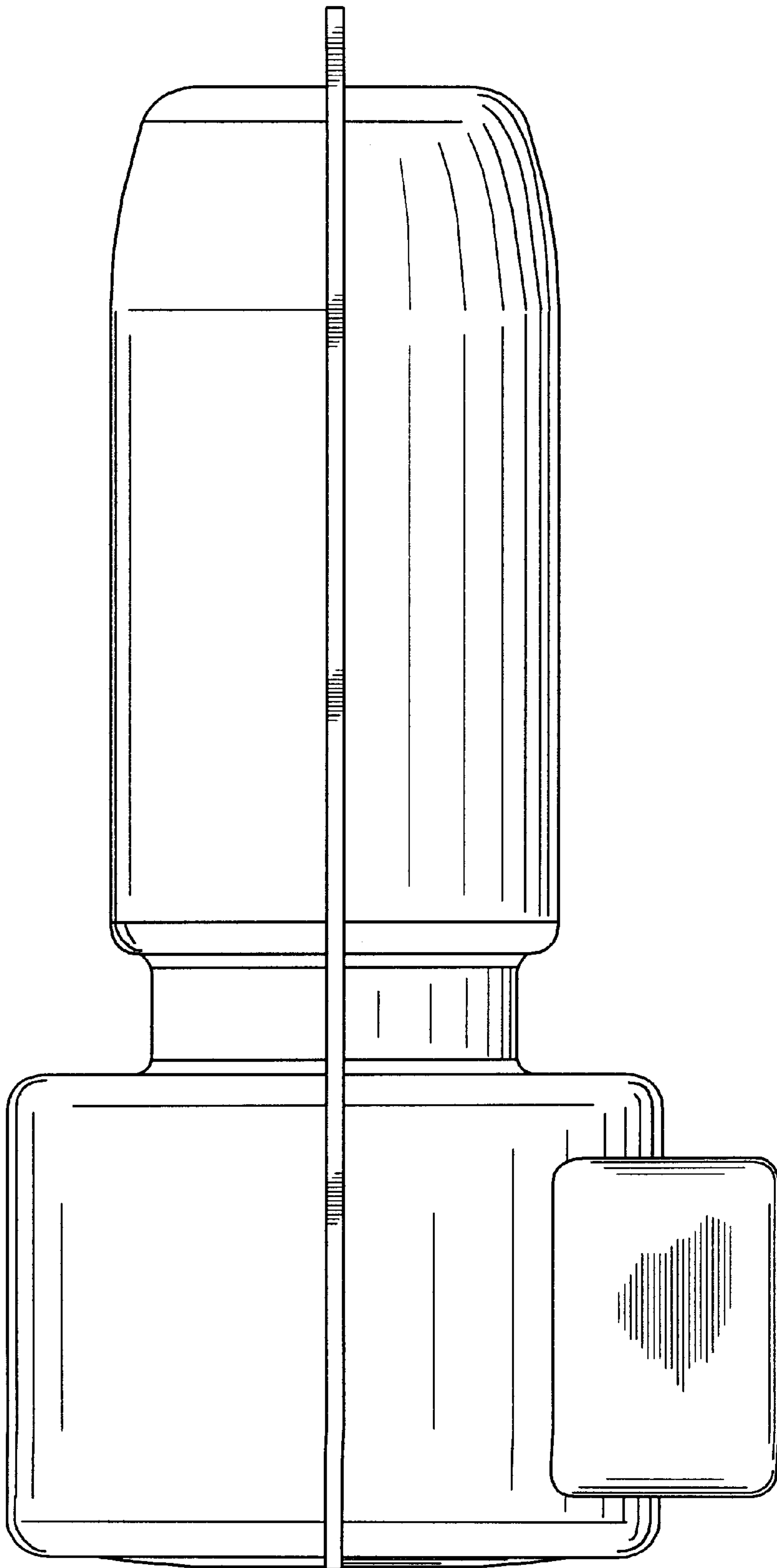


*FIG. 17.*

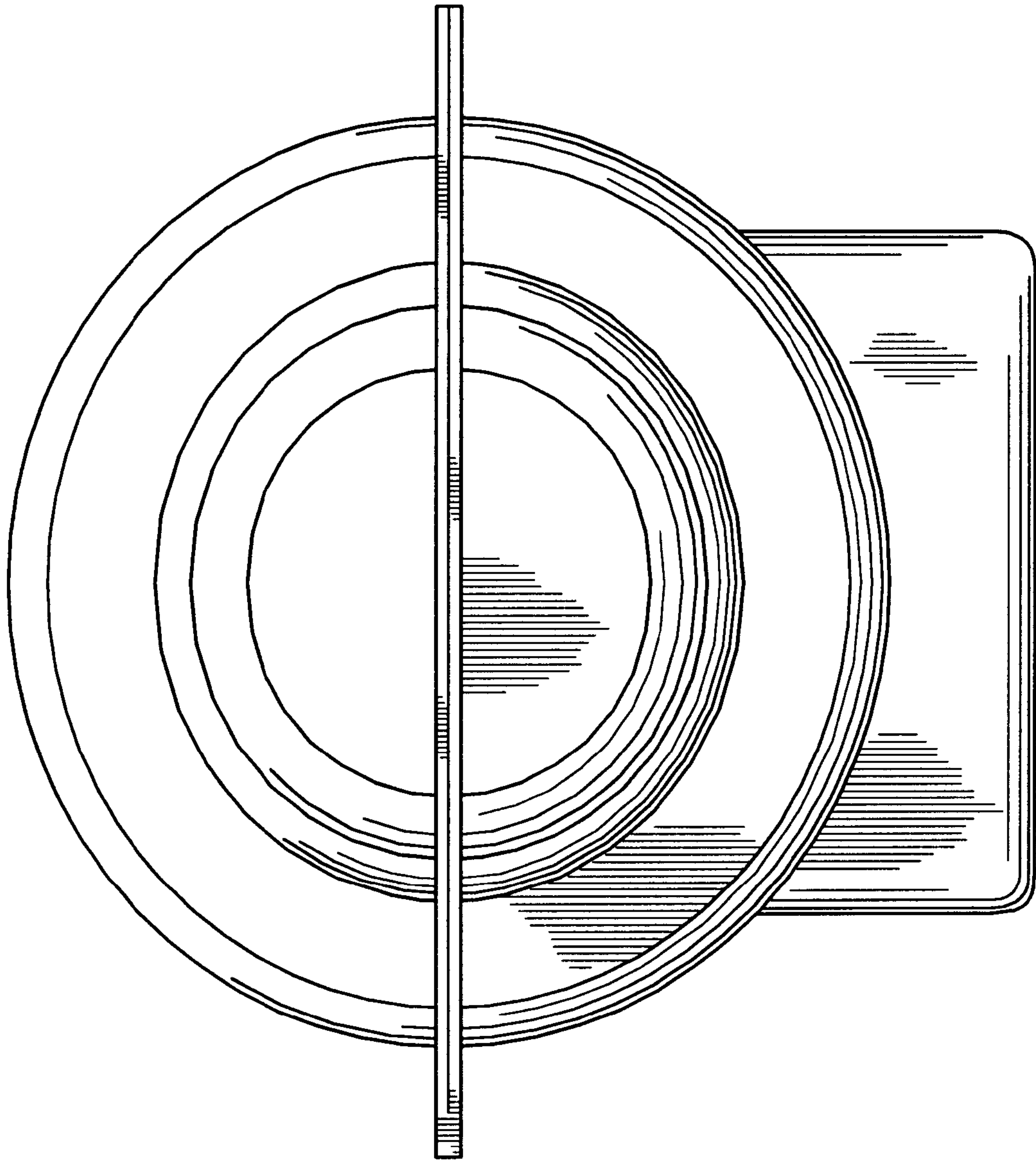




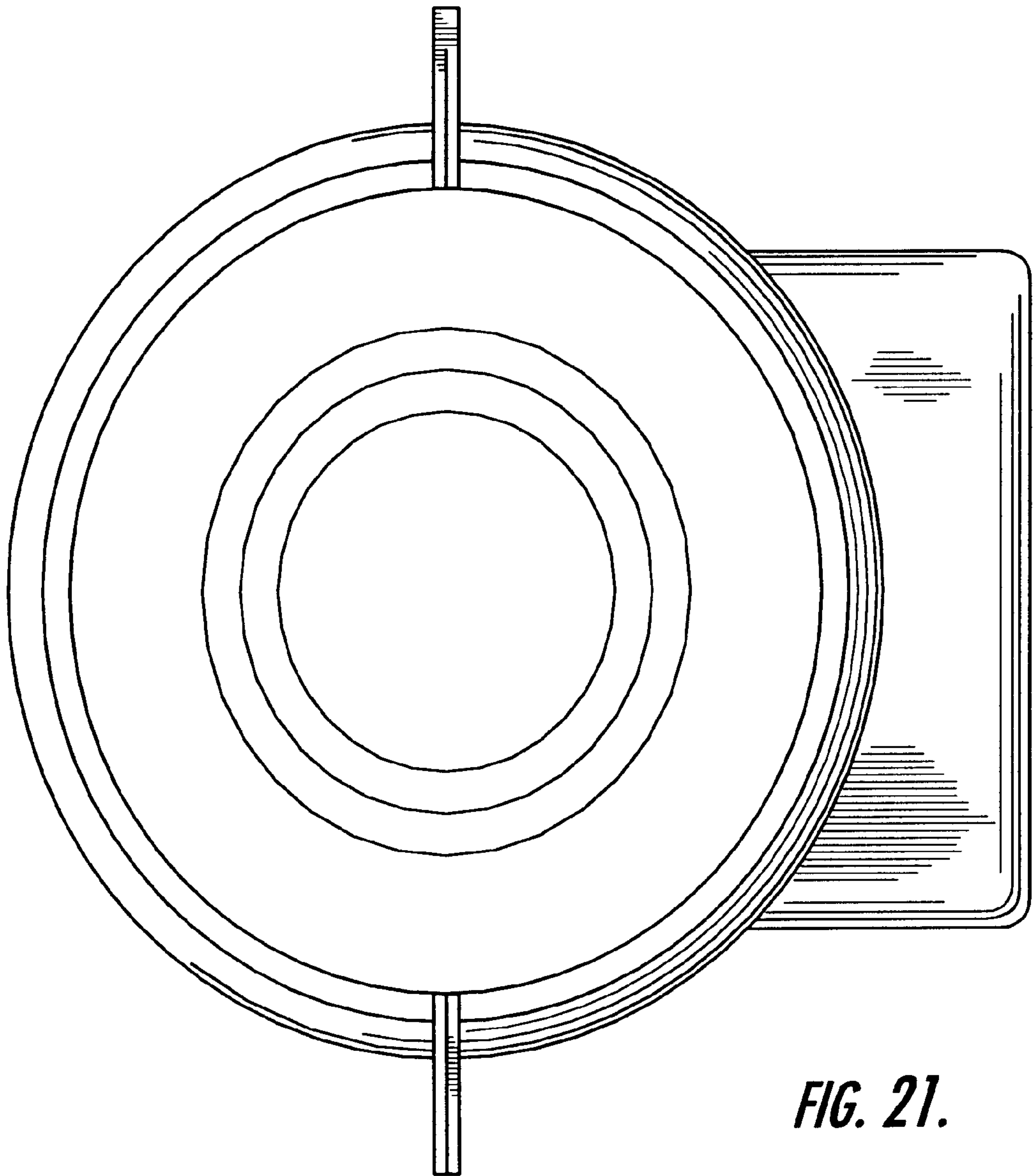
*FIG. 18.*



*FIG. 19.*



**FIG. 20.**



**FIG. 21.**