



US00D435054S

# United States Patent [19]

[11] Patent Number: Des. 435,054

Heikkila et al.

[45] Date of Patent: \*\* Dec. 12, 2000

[54] FRAME AND A STRUCTURE OF SUPPORTING AN APPARATUS THAT FABRICATES A WORKSHEET MOVABLY MOUNTED THERETO

[75] Inventors: Ilkka Heikkila, Deinze; Gilbert Remue, Aalter; Frank Heyerick, Deinze, all of Belgium; Johannes Ulrich, Furstenfeldbruck, Germany

[73] Assignee: Lillbacka Jetair Oy, Kauhava, Finland

[\*\*] Term: 14 Years

[21] Appl. No.: 29/108,197

[22] Filed: Jul. 23, 1999

[51] LOC (7) Cl. .... 15-09

[52] U.S. Cl. .... D15/141

[58] Field of Search ..... D15/141; 219/121.67, 219/121.75, 121.82, 121.83

### [56] References Cited

#### U.S. PATENT DOCUMENTS

6,031,202 2/2000 Arakawa et al. .... 219/121.68

Primary Examiner—Antoine Duval Davis  
Attorney, Agent, or Firm—Louis Woo

### [57] CLAIM

The ornamental design for a frame and a structure of supporting an apparatus that fabricates a worksheet movably mounted thereto, as shown and described.

### DESCRIPTION

FIG. 1 is a perspective view that shows the frame and the structure for supporting a worksheet fabrication apparatus that is mounted to the underside of the cross beam of the frame;

FIG. 2 is another perspective view of the frame and support structure of the instant invention;

FIG. 3 is yet another perspective view that provides an upward view of how the structure for supporting a worksheet fabricating apparatus is mounted to the underside of the cross beam of the frame structure;

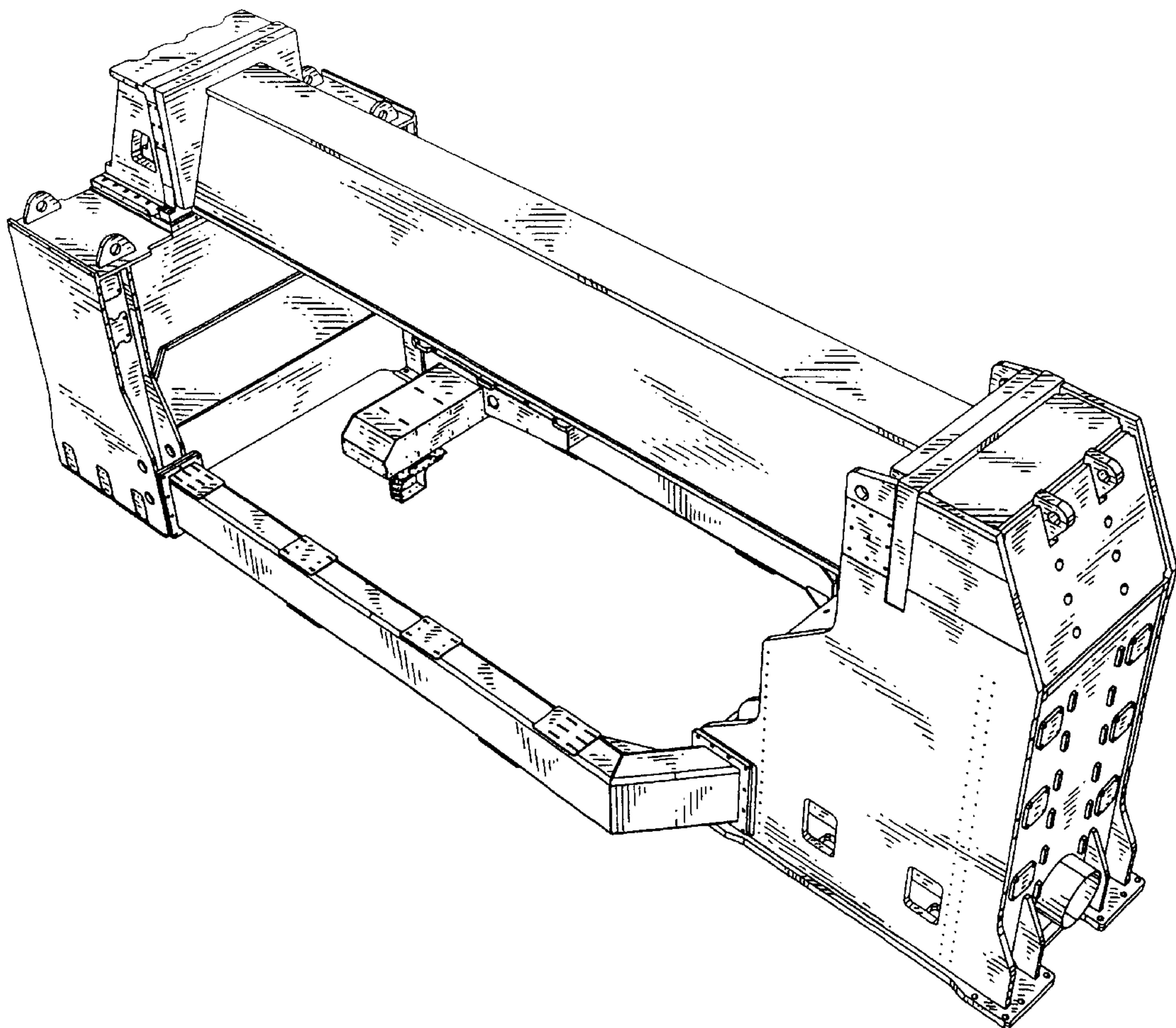
FIG. 4 is a side view of the frame and support structure of the instant invention, with the frame and the support structures being shown as separate components in relative relationship to each other;

FIG. 5 is another side view of the frame and support structure of the instant invention;

FIG. 6 is a top view of the frame and support structure of the instant invention; and,

FIG. 7 is a bottom view of the frame and support structure of the instant invention.

1 Claim, 7 Drawing Sheets



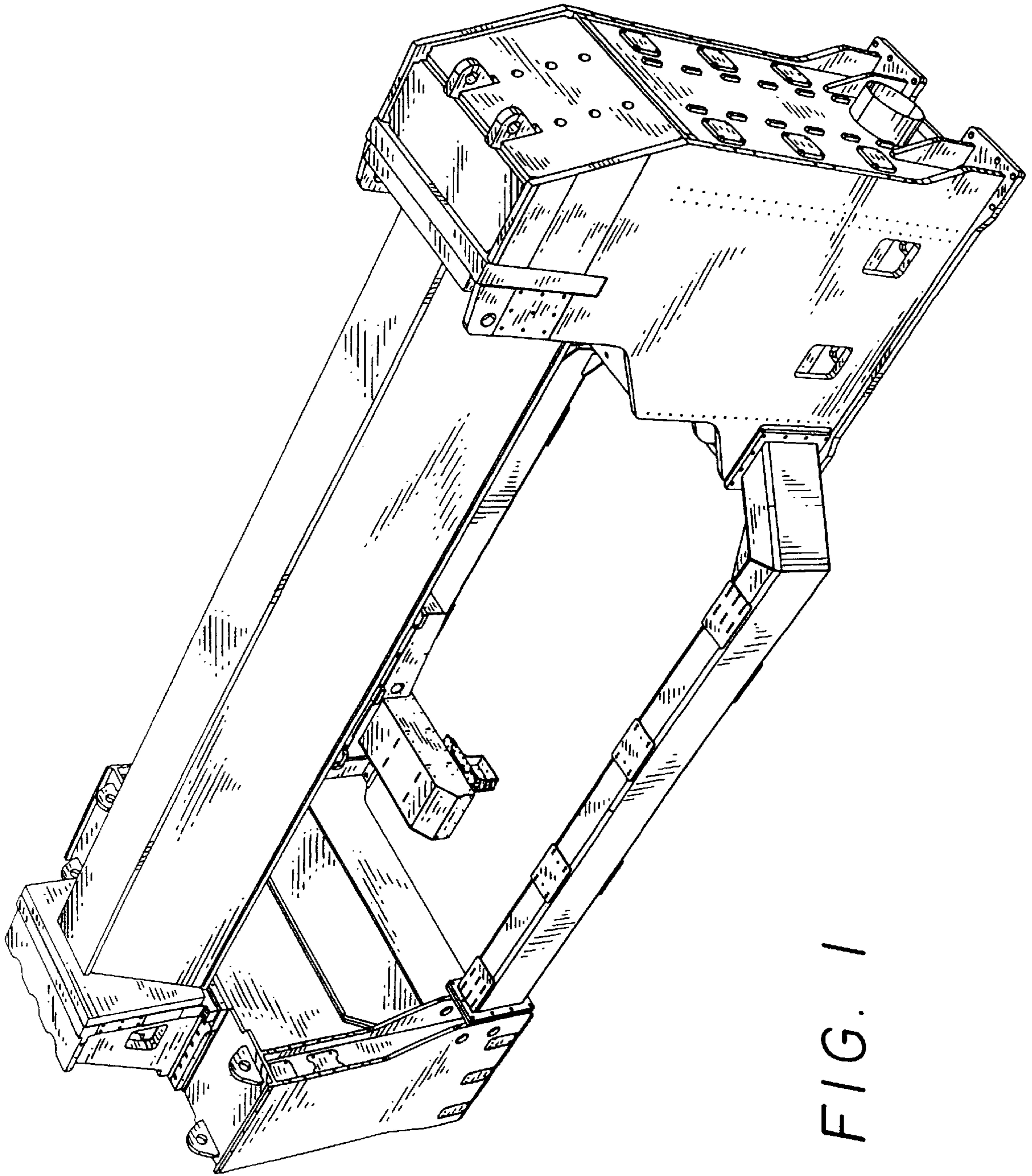


FIG. 1



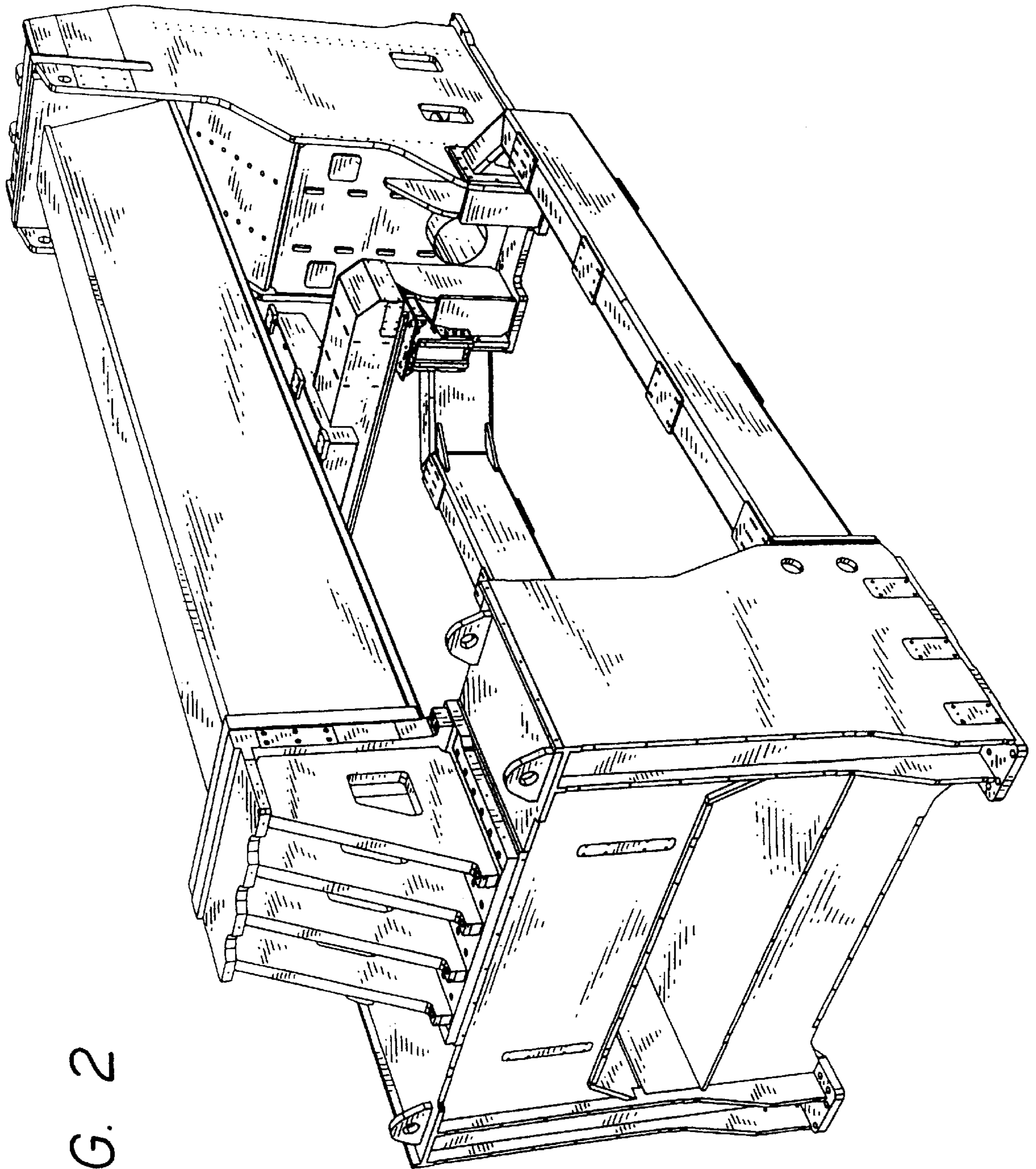
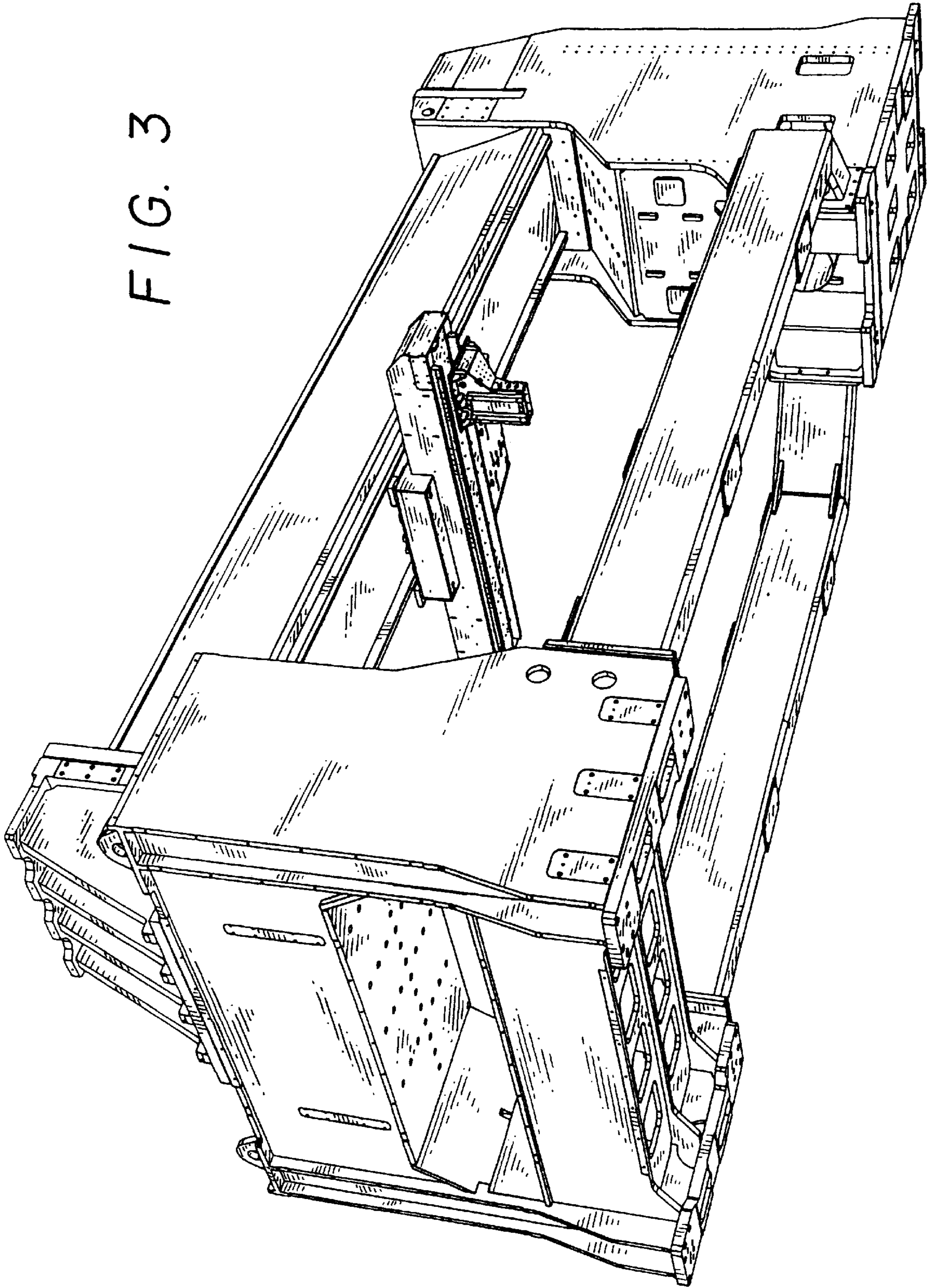


FIG. 2

FIG. 3



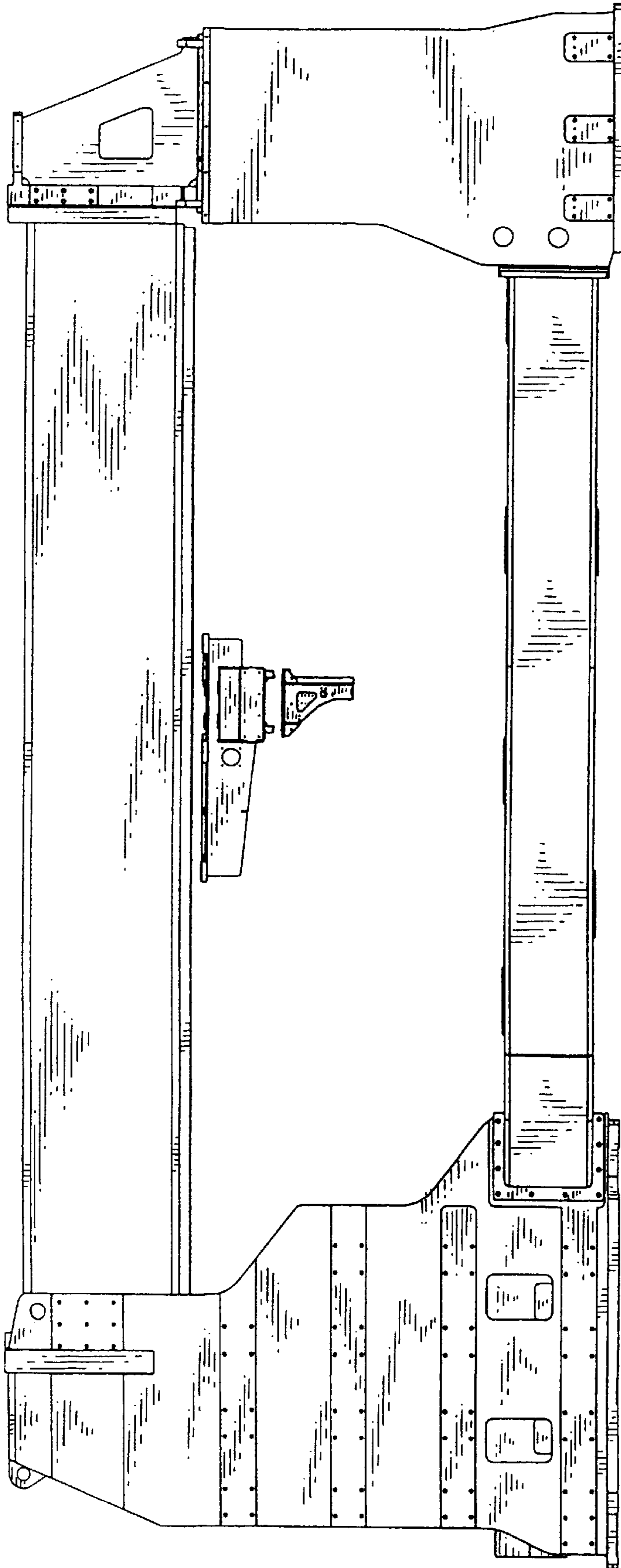


FIG. 4

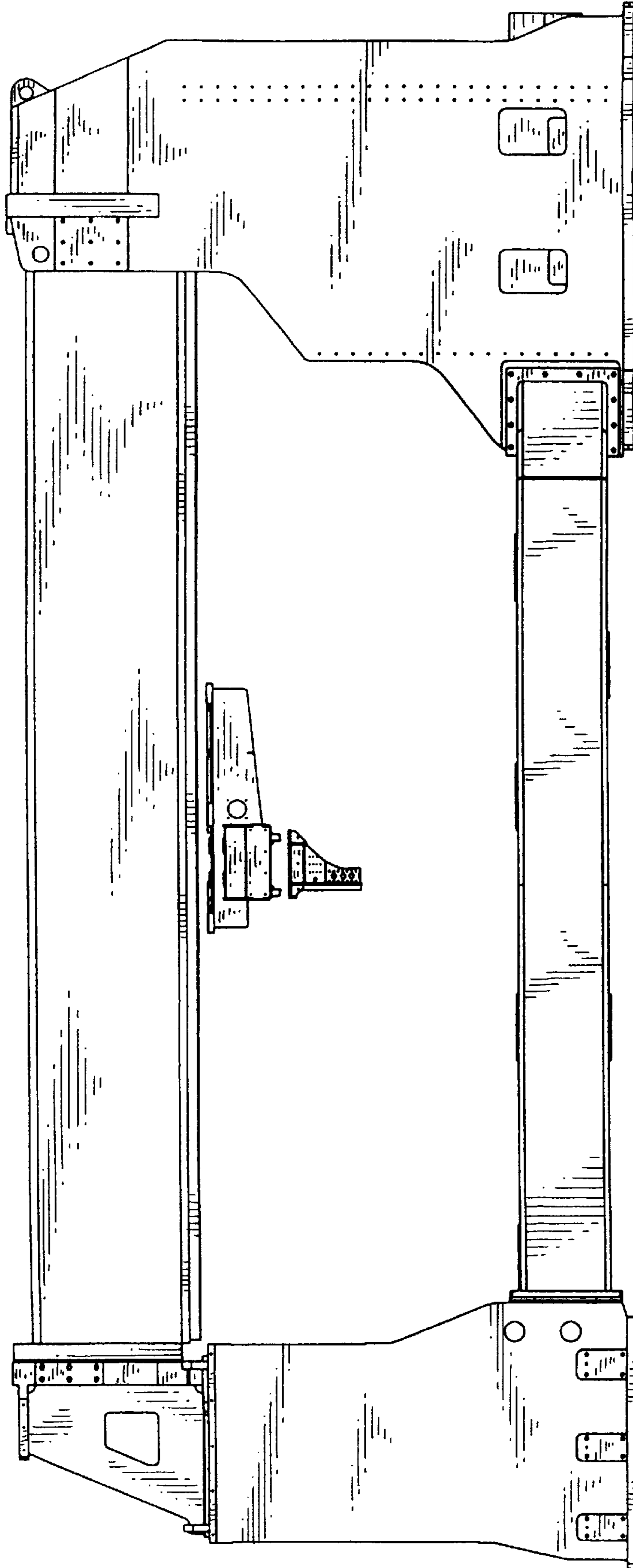


FIG. 5



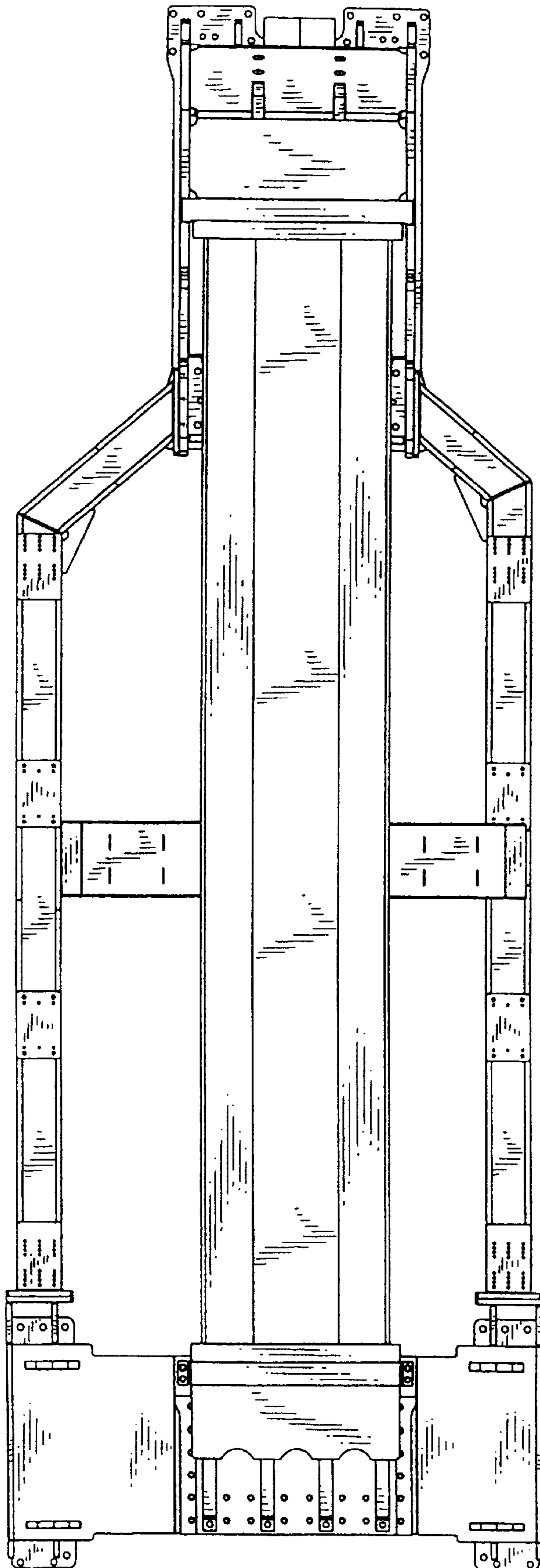


FIG. 6

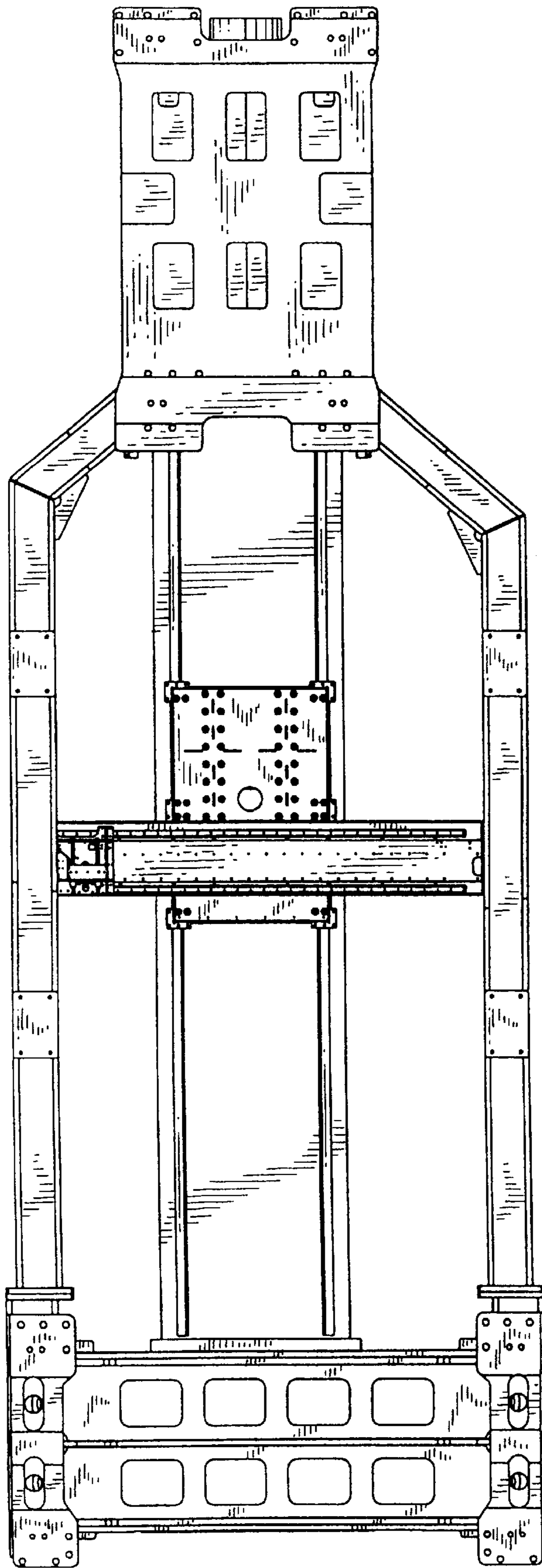


FIG. 7