



US00D435052S

United States Patent [19] Kuroki

[11] Patent Number: **Des. 435,052**

[45] Date of Patent: **** Dec. 12, 2000**

[54] SEWING MACHINE

4,099,474 7/1978 Hamlett et al. 112/258

[75] Inventor: **Nobufusa Kuroki**, Tokyo, Japan

OTHER PUBLICATIONS

[73] Assignee: **Janome Sewing Machine Company Limited**, Tokyo, Japan

W. Bell & Co. 1986 Catalog, p. 404. Brother Lightweight Sewing Machine, #4.

[**] Term: **14 Years**

Primary Examiner—Sandra L. Morris
Attorney, Agent, or Firm—Jacobson, Price, Holman & Stern, PLLC

[21] Appl. No.: **29/121,502**

[22] Filed: **Apr. 10, 2000**

[57] CLAIM

[30] Foreign Application Priority Data

The ornamental design for a sewing machine, as shown and described.

Nov. 15, 1999 [JP] Japan 11-31579

DESCRIPTION

[51] **LOC (7) Cl.** **15-06**

FIG. 1 is a front view showing my new design for a sewing machine;

[52] **U.S. Cl.** **D15/70**

FIG. 2 is a rear view thereof;

[58] **Field of Search** D15/66-72; 112/217.1-217.4, 112/256-261

FIG. 3 is a top plan view thereof;

FIG. 4 is a bottom view thereof;

FIG. 5 is a left side view thereof;

FIG. 6 is a right side view thereof; and,

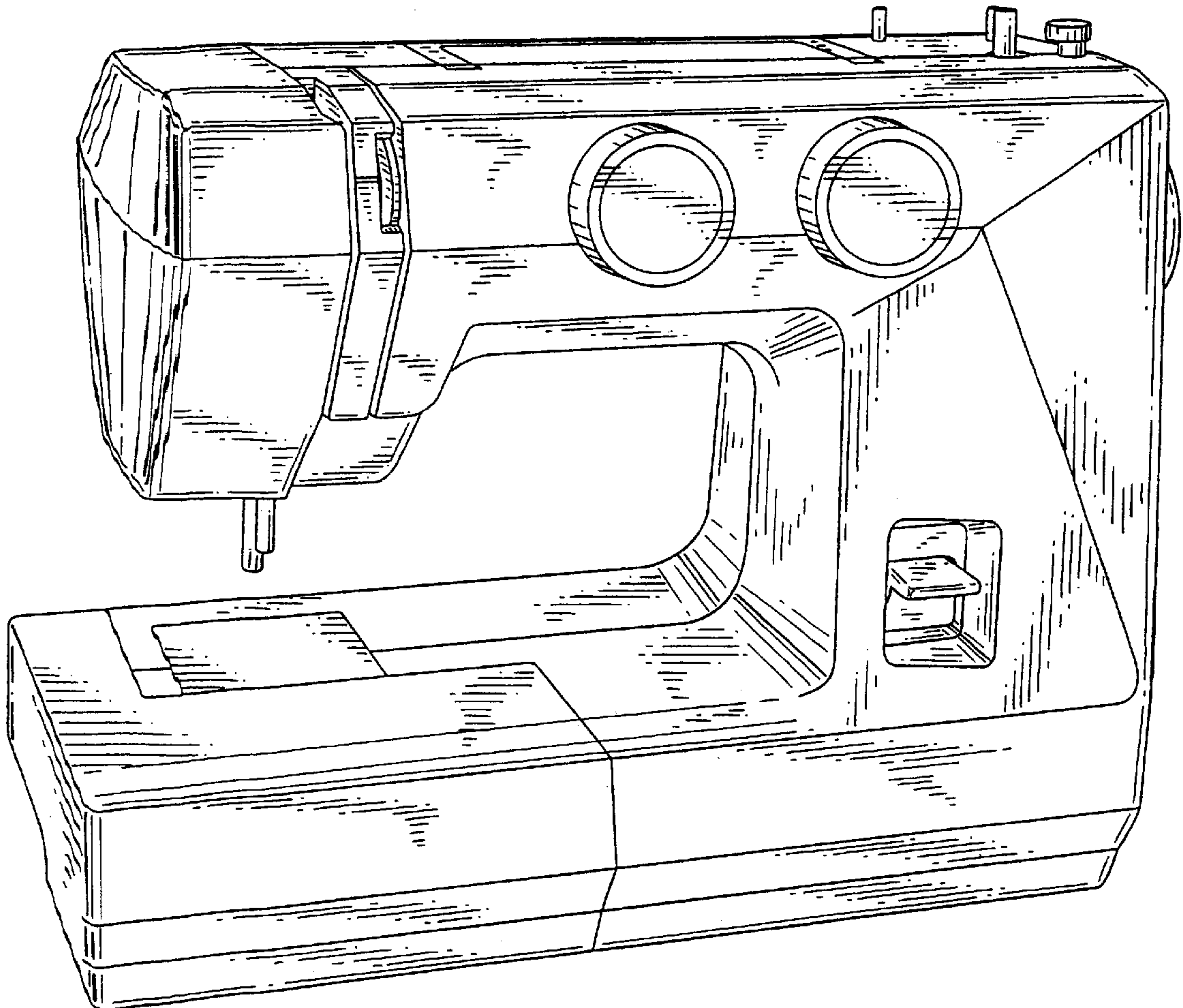
FIG. 7 is a perspective view thereof.

[56] References Cited

U.S. PATENT DOCUMENTS

- D. 247,901 5/1978 Fresard D15/70
- D. 260,995 9/1981 Fresard D15/70
- D. 337,772 7/1993 Kuroki D15/70

1 Claim, 7 Drawing Sheets



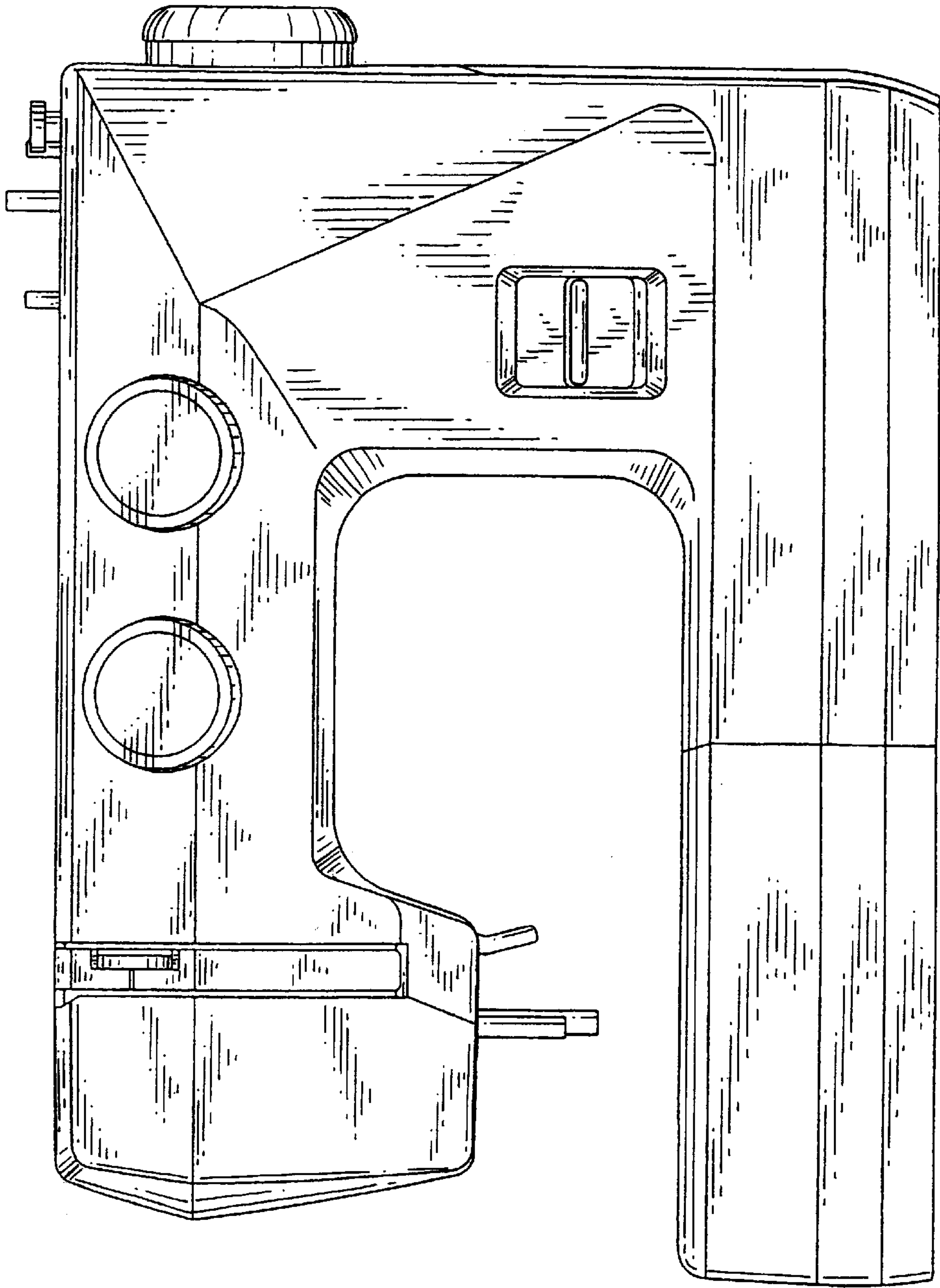


FIG. 1

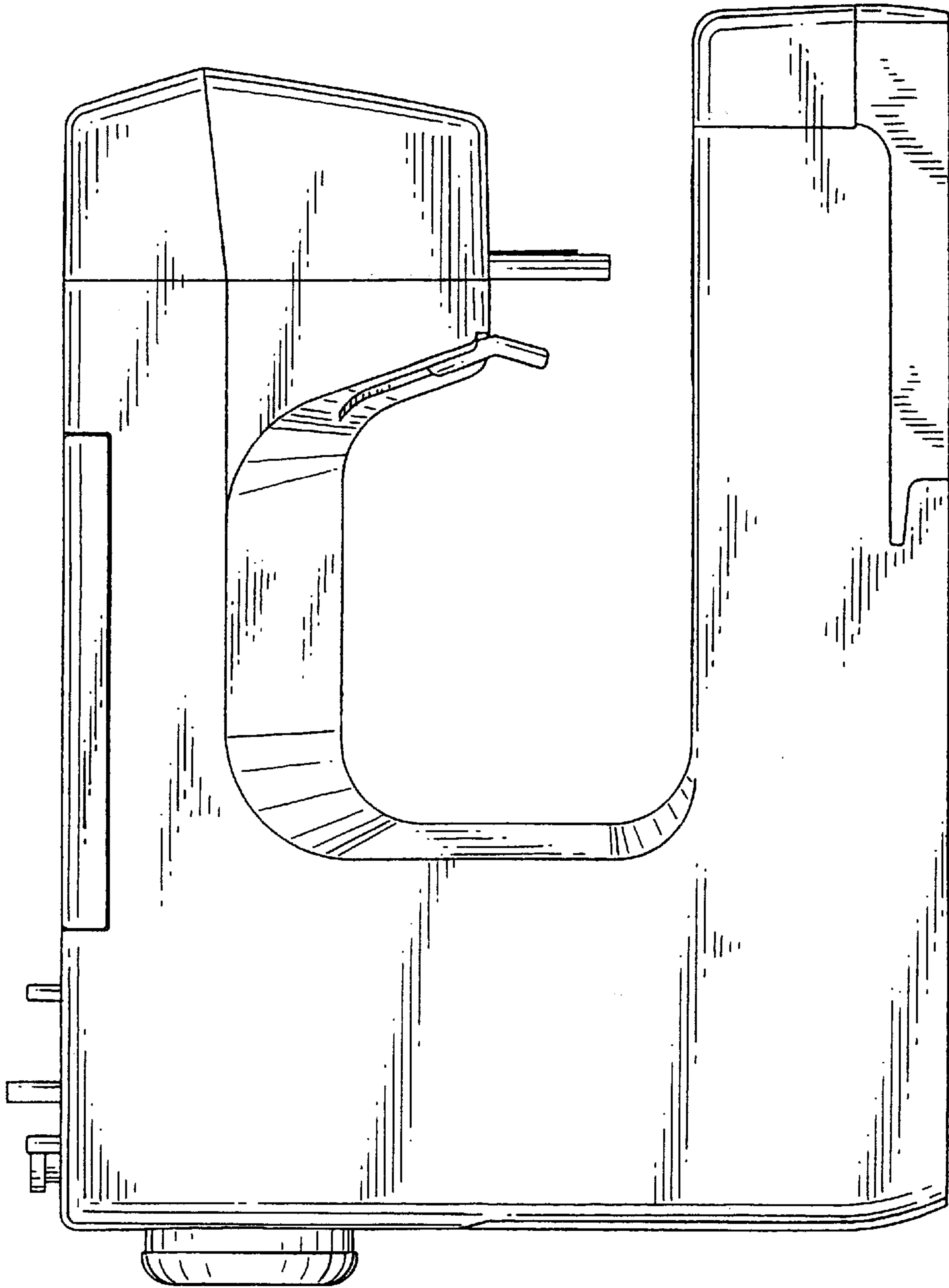


FIG. 2

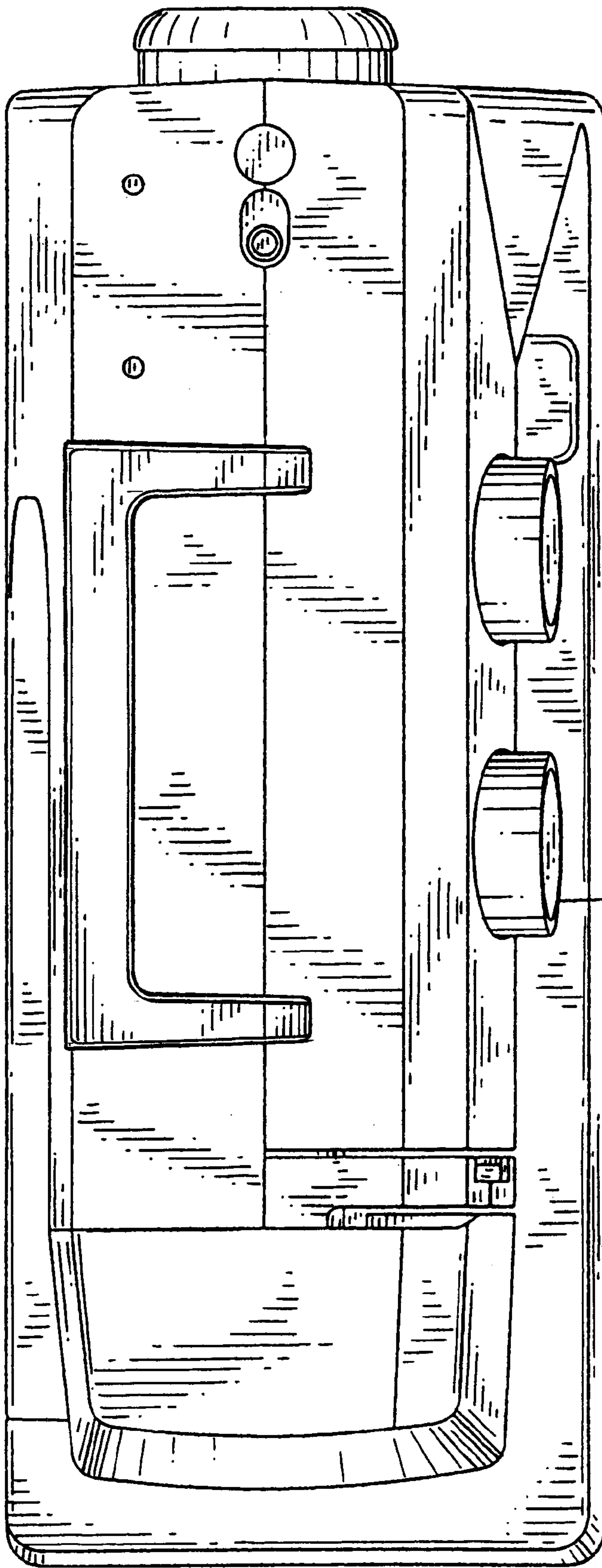


FIG. 3

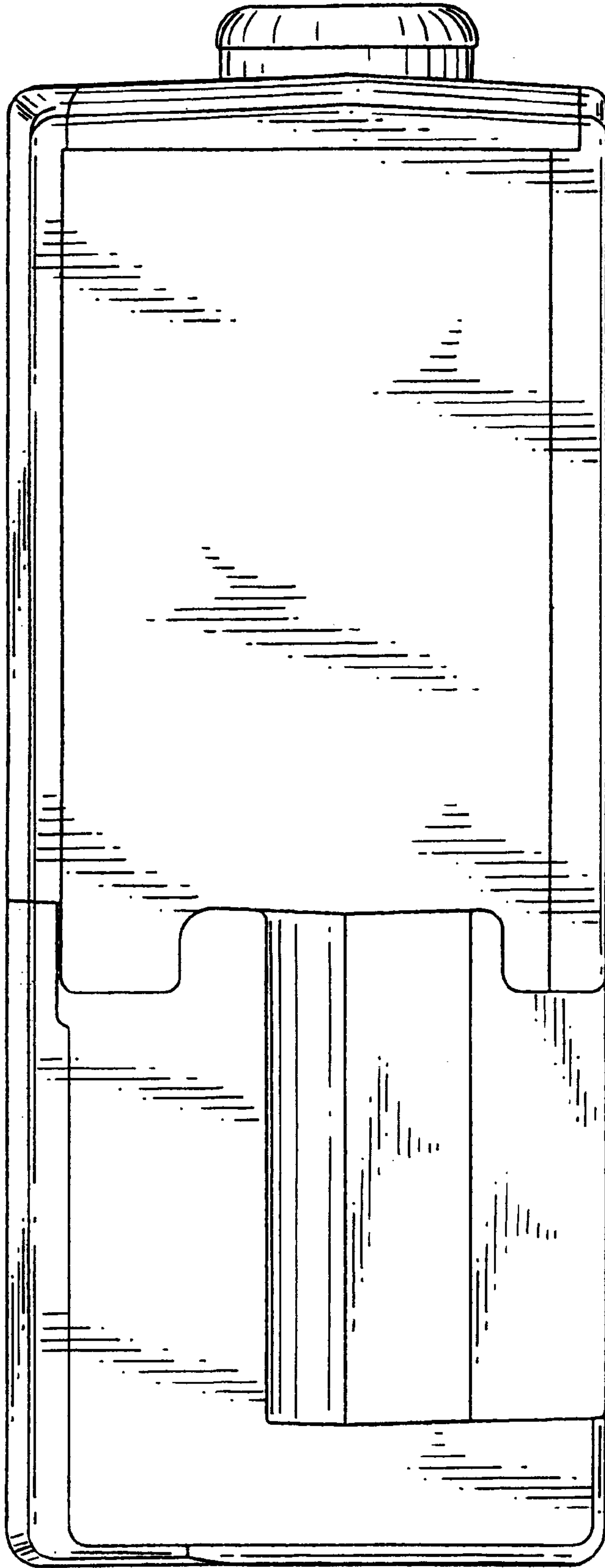


FIG. 4

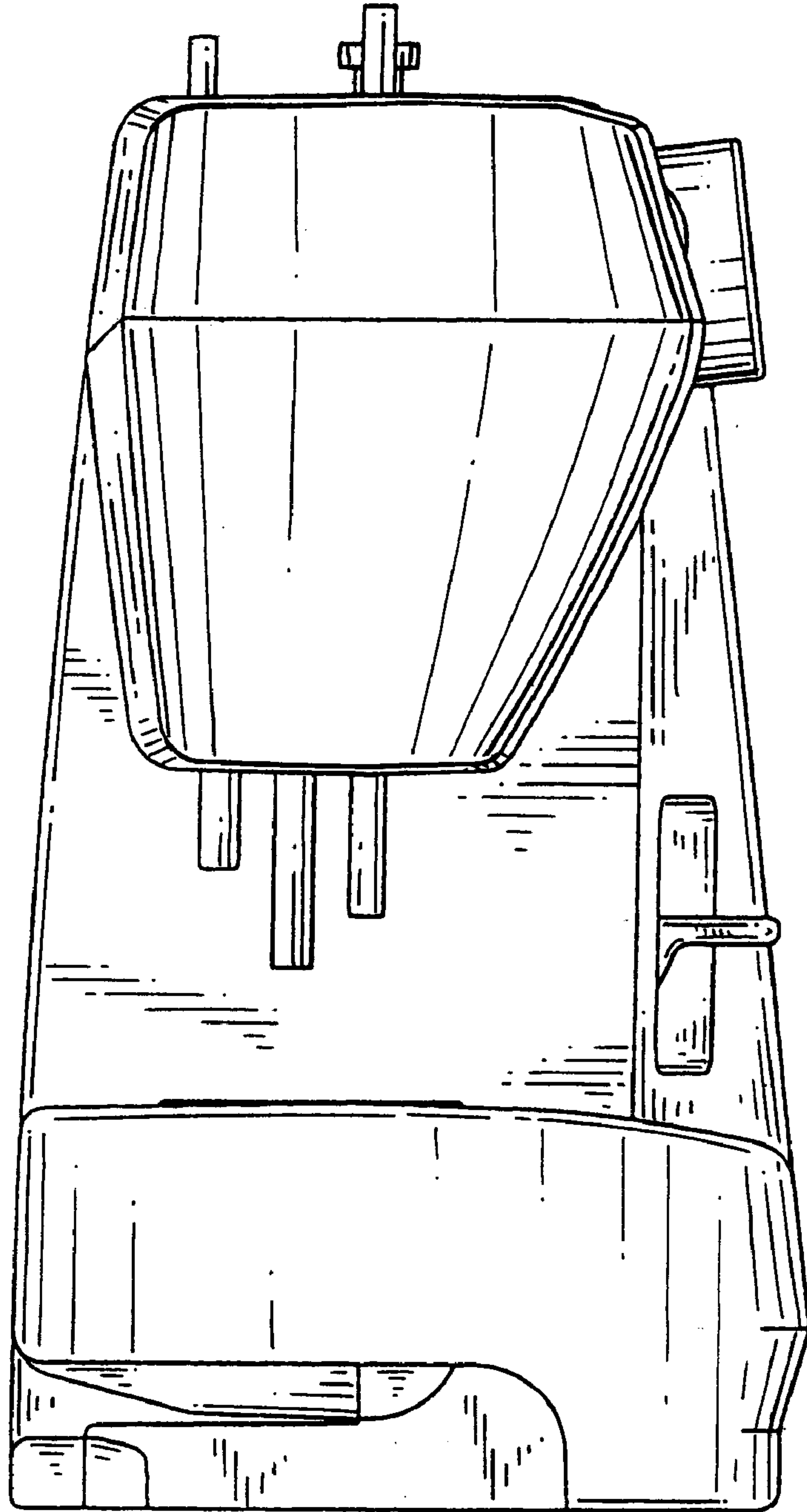


FIG. 5

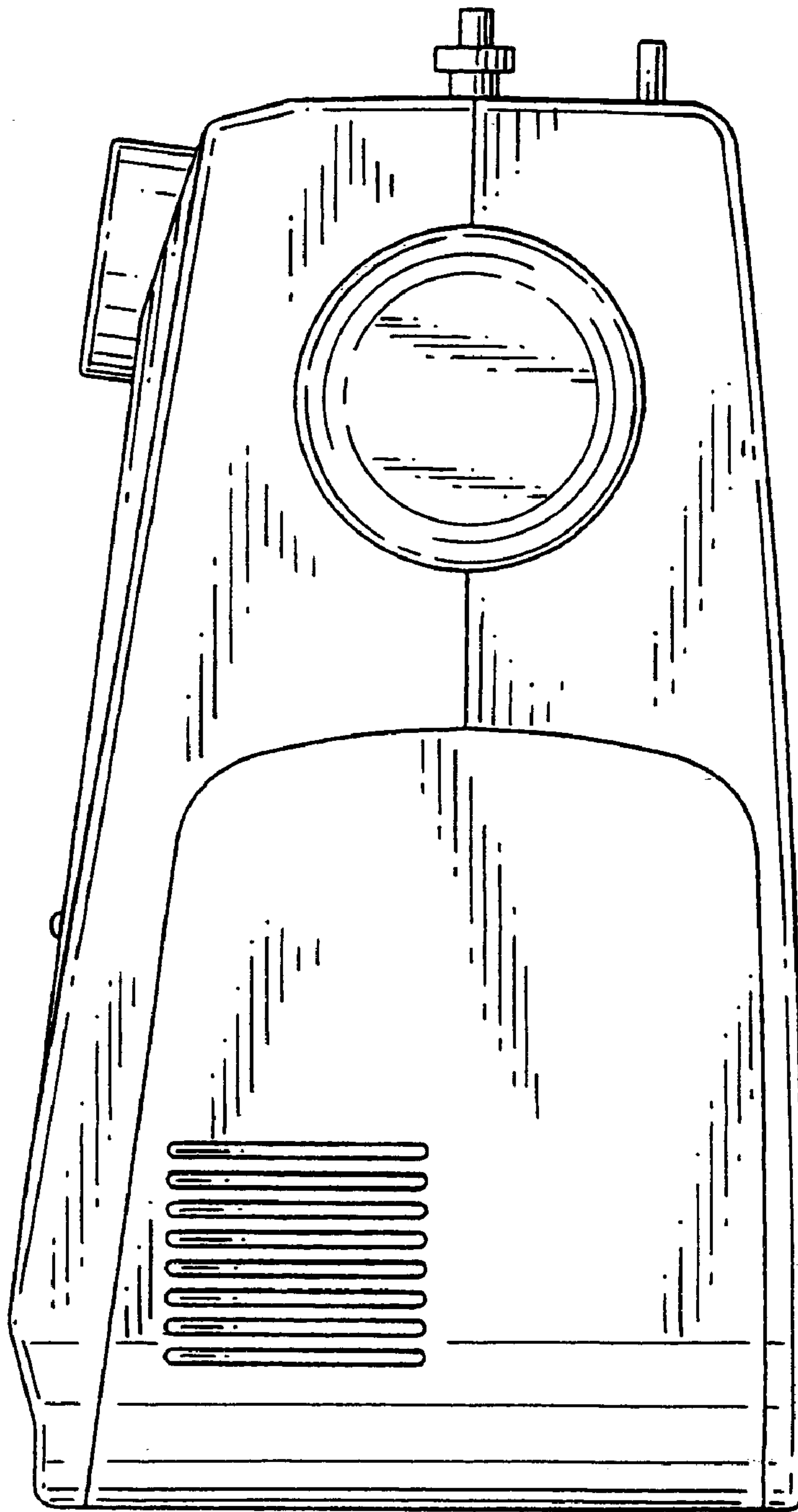


FIG. 6

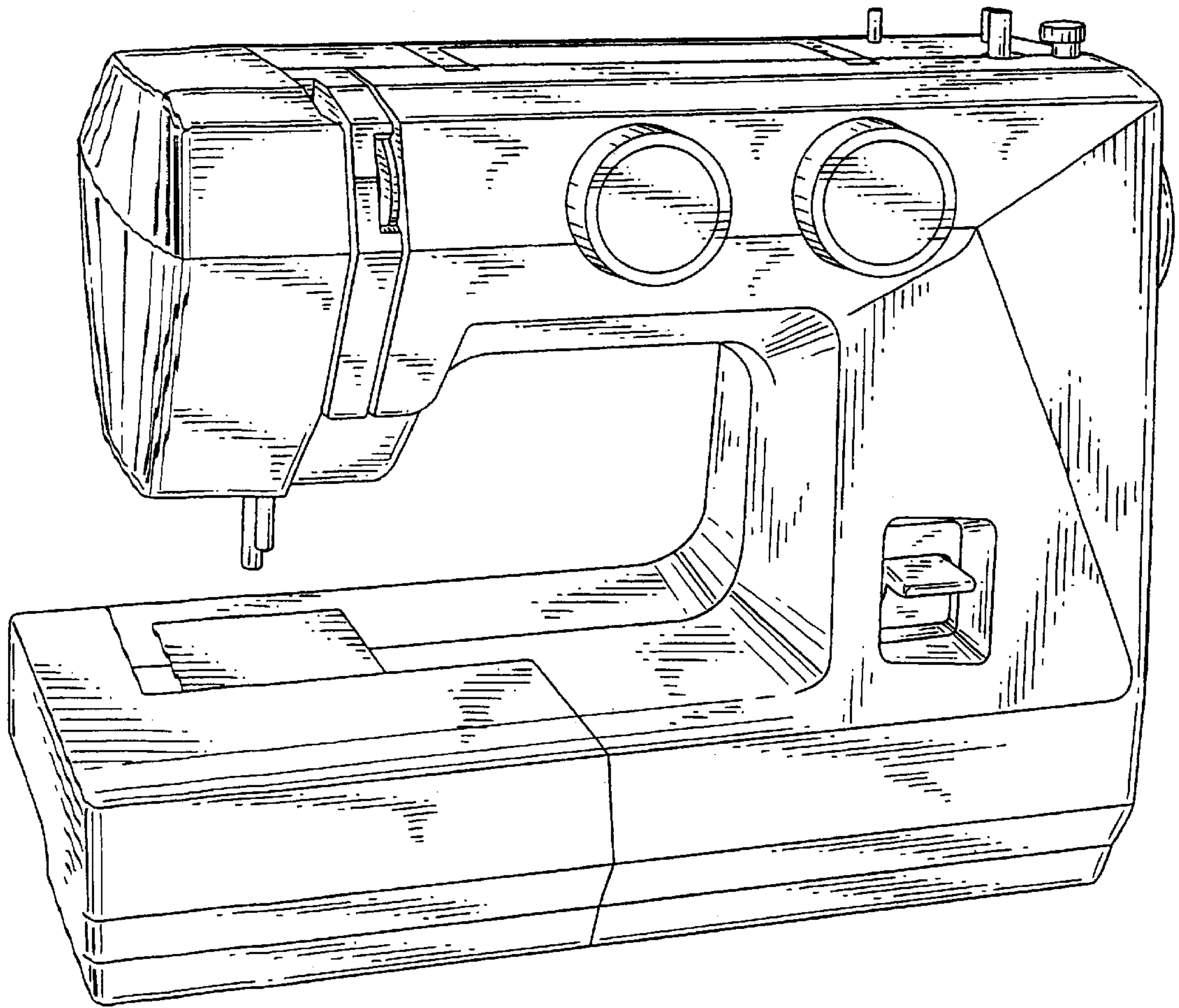


FIG. 7