



US00D435050S

# United States Patent [19]

Wise et al.

[11] Patent Number: **Des. 435,050**

[45] Date of Patent: **\*\* Dec. 12, 2000**

[54] **RECIPROCATING COMPRESSOR**

[75] Inventors: **Brian David Wise; Mohammad Abdallah**, both of Charlotte, N.C.

[73] Assignee: **Ingersoll-Rand Company**, Woodcliff Lake, N.J.

[\*\*] Term: **14 Years**

[21] Appl. No.: **29/101,089**

[22] Filed: **Feb. 25, 1999**

[51] **LOC (7) Cl.** ..... **15-02**

[52] **U.S. Cl.** ..... **D15/9**

[58] **Field of Search** ..... D15/7-9; 417/228-229, 417/435, 321, 410-411, 415, 265, 38, 40, 360, 405; 92/82

[56] **References Cited**

**U.S. PATENT DOCUMENTS**

D. 49,910 11/1916 Steedman ..... D15/9

D. 159,173	6/1950	Theis .....	D15/7
D. 392,649	3/1998	Plummer et al. ....	D15/7
D. 395,899	7/1998	Plummer et al. ....	D15/7
D. 419,162	1/2000	Wise et al. ....	D15/9
5,809,866	9/1998	Brascher et al. ....	92/82

*Primary Examiner*—Ralf Siefert

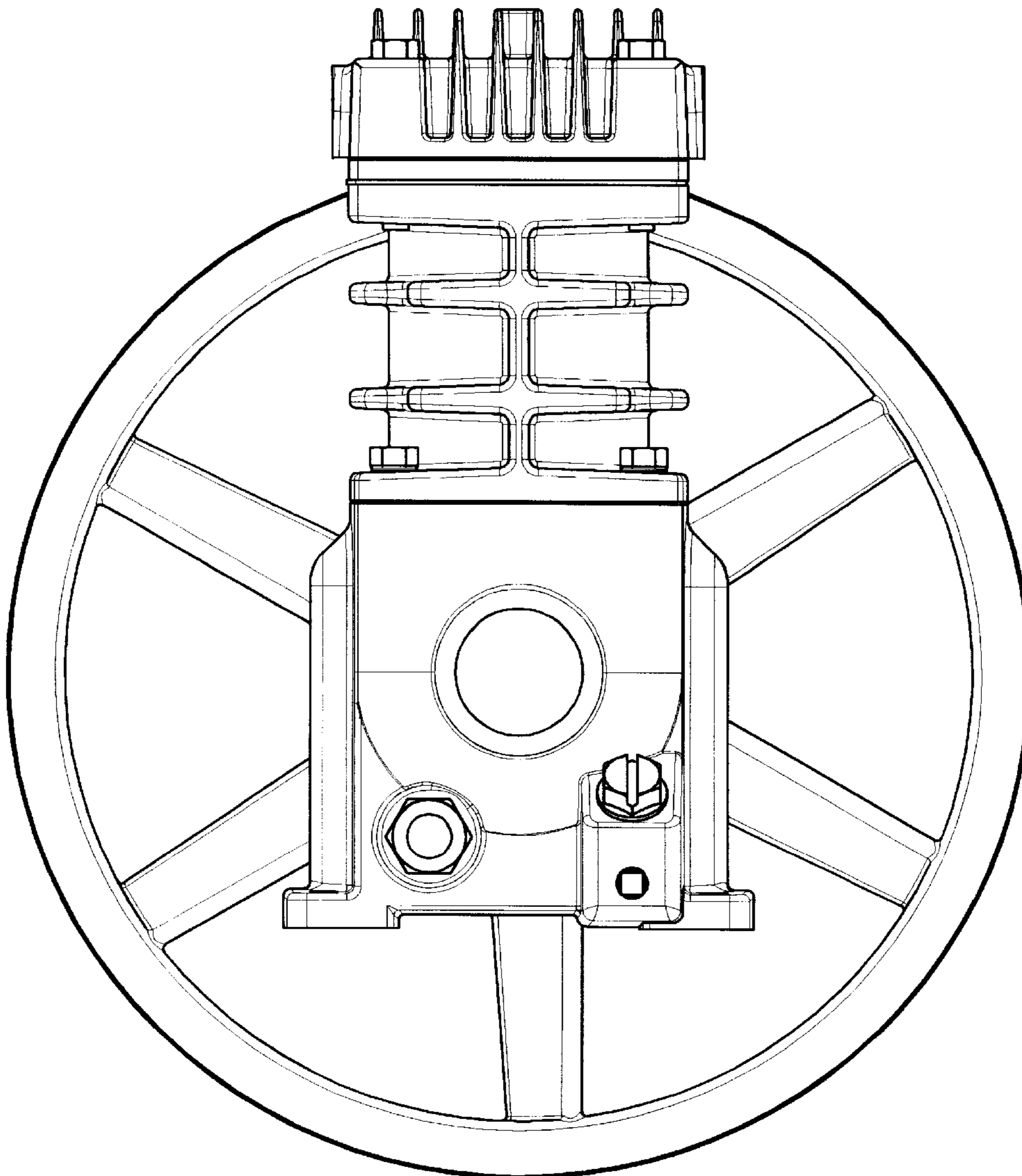
[57] **CLAIM**

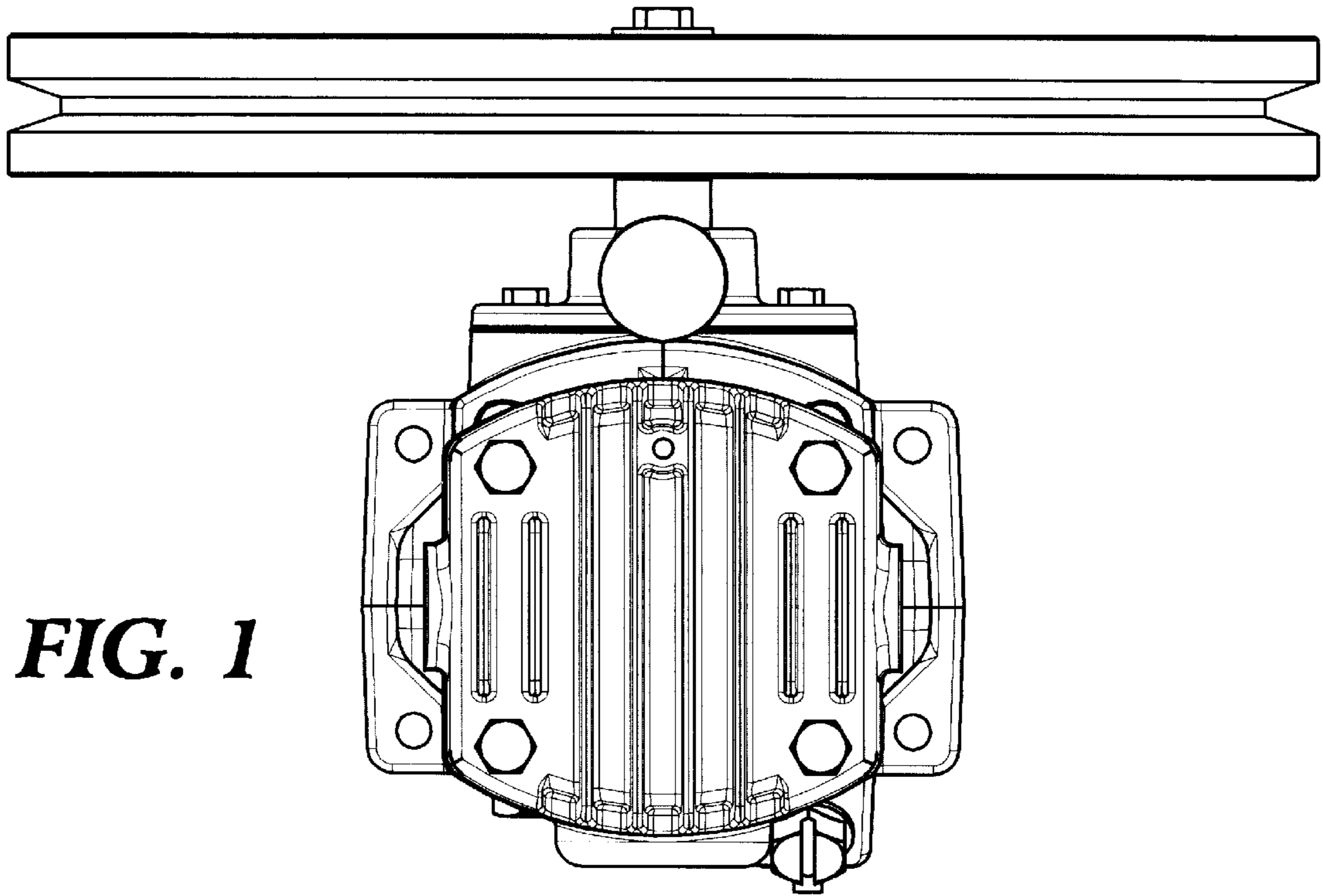
The ornamental design for a reciprocating compressor, as shown and described.

**DESCRIPTION**

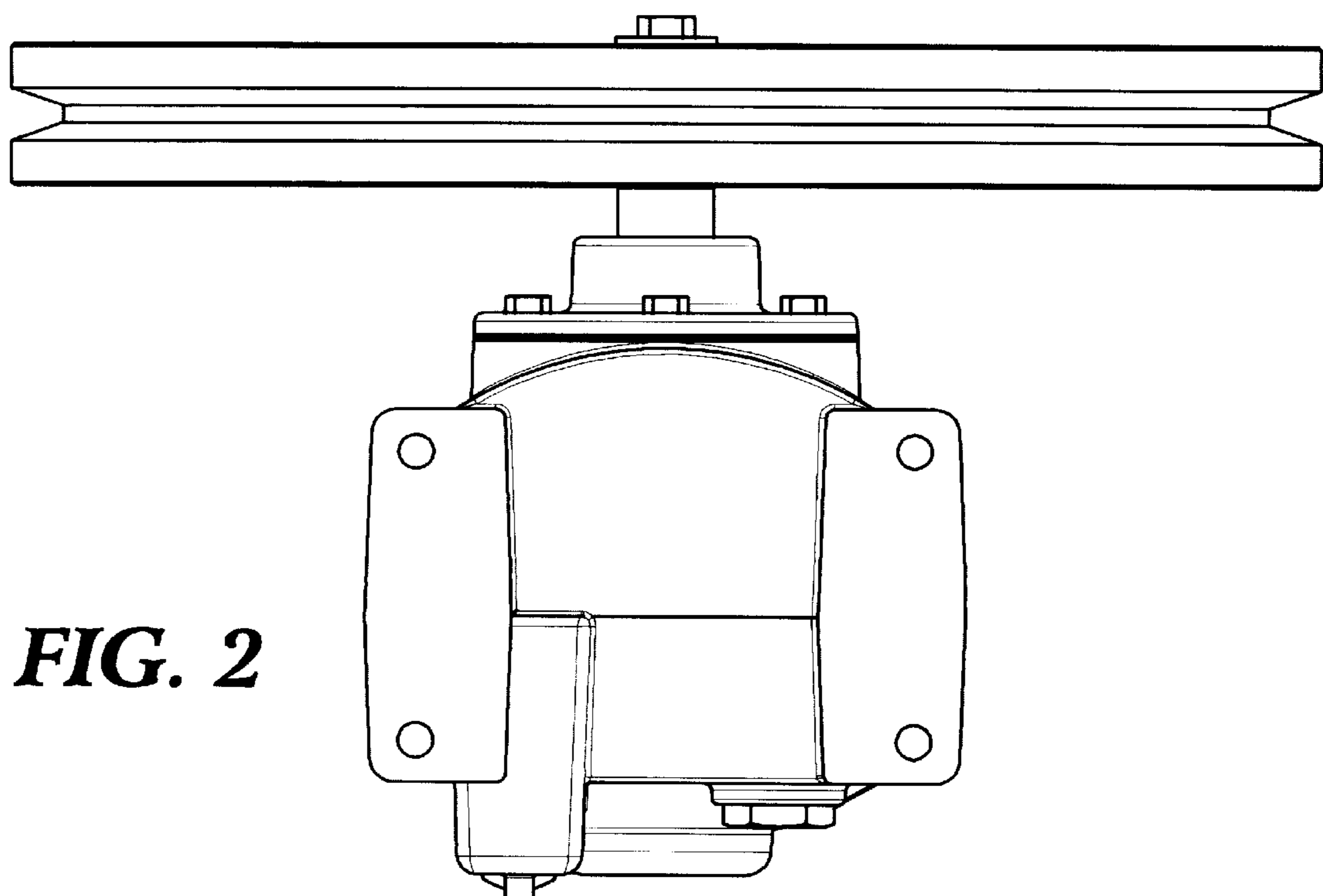
FIG. 1 is a top plan view of a reciprocating compressor showing our new design; FIG. 2 is a bottom plan view thereof; FIG. 3 is a right elevation view thereof; FIG. 4 is a left elevation view thereof; FIG. 5 is a front elevation view thereof; and, FIG. 6 is a rear elevation view thereof.

**1 Claim, 5 Drawing Sheets**

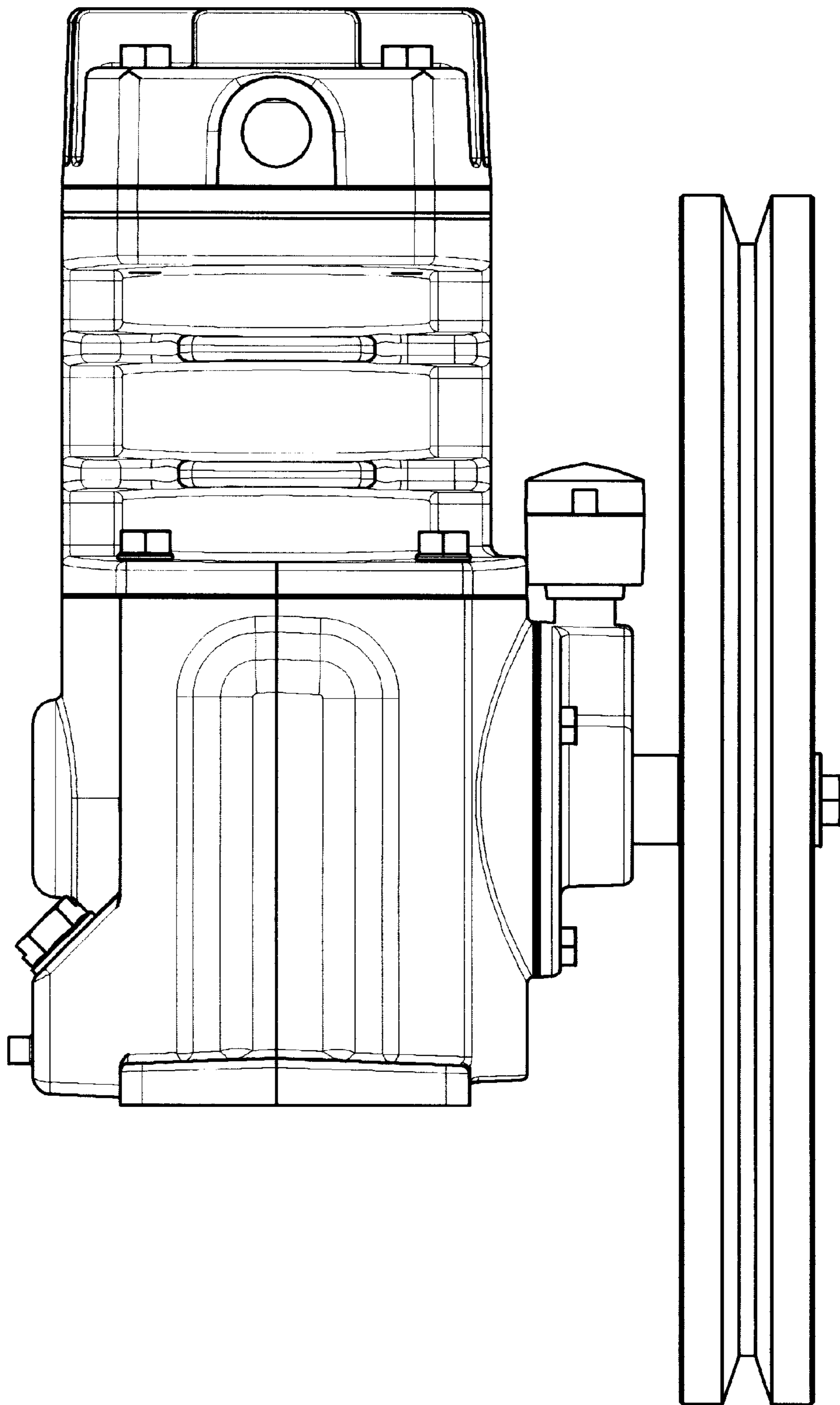




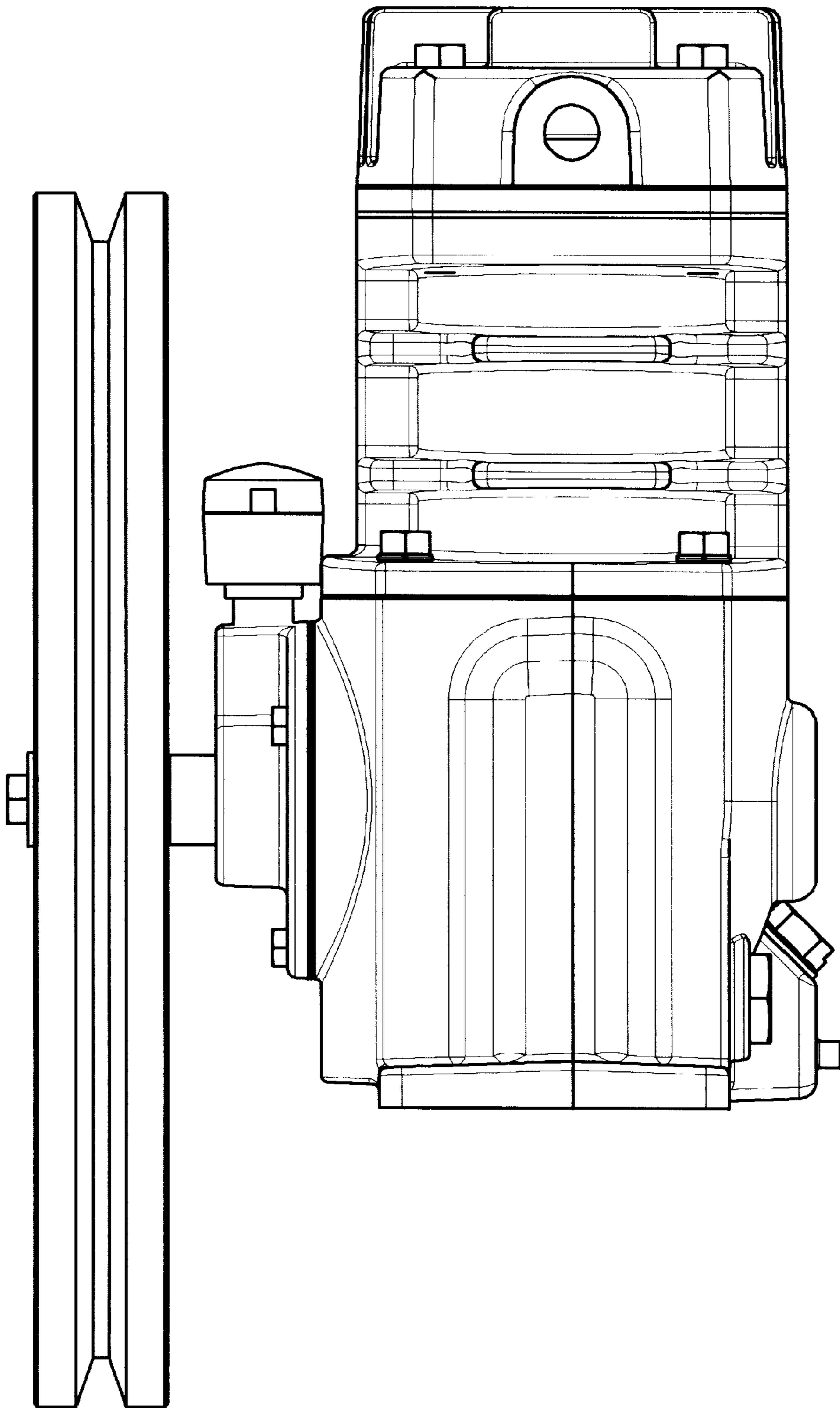
**FIG. 1**



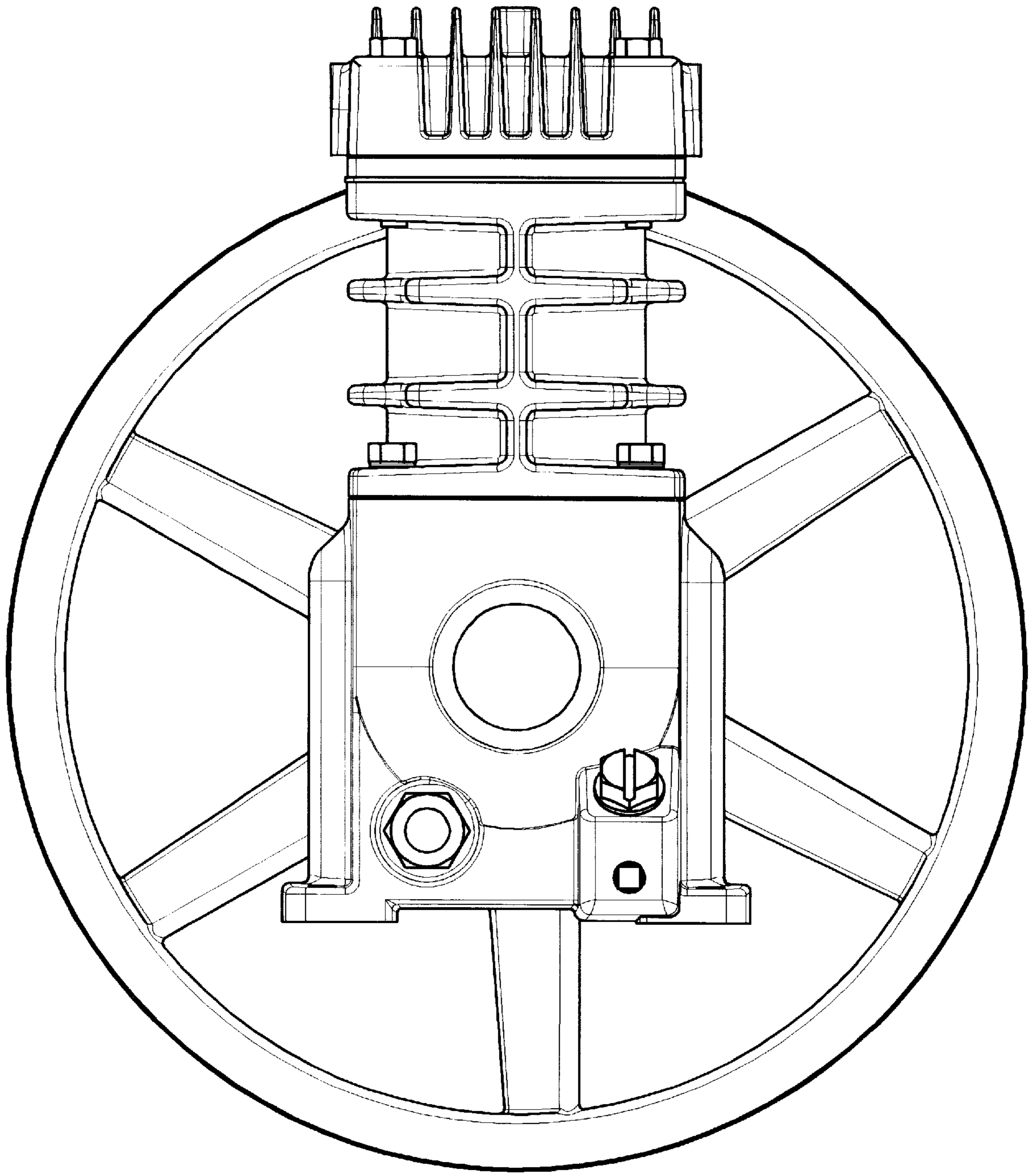
**FIG. 2**



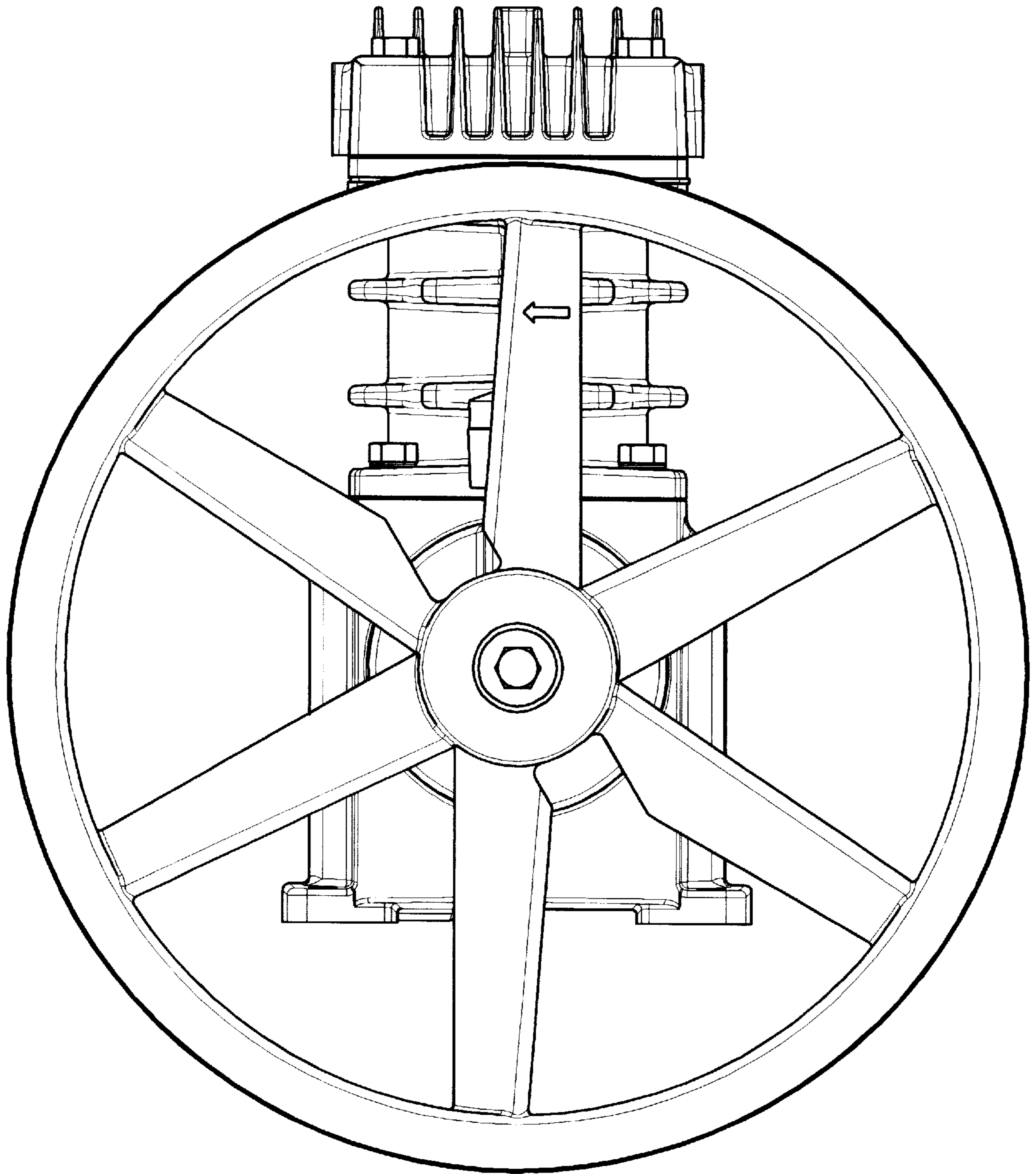
**FIG. 3**



**FIG. 4**



**FIG. 5**



**FIG. 6**