



US00D435049S

# United States Patent [19] Tsai

[11] Patent Number: **Des. 435,049**

[45] Date of Patent: **\*\* Dec. 12, 2000**

[54] **PORTABLE PUMP**

D. 395,317 6/1998 Karlsson et al. .... D15/7  
D. 420,011 2/2000 Tsai ..... D15/7

[76] Inventor: **Cheng-Chang Tsai**, PO Box 82-144,  
Taipei, Taiwan

*Primary Examiner*—Ralf Seifert  
*Attorney, Agent, or Firm*—A & J

[\*\*] Term: **14 Years**

[57] **CLAIM**

[21] Appl. No.: **29/117,496**

The ornamental design for a portable pump, as shown and described.

[22] Filed: **Jan. 28, 2000**

[51] **LOC (7) Cl.** ..... **15-02**

[52] **U.S. Cl.** ..... **D15/7**

[58] **Field of Search** ..... D15/7-9; 417/68,  
417/69, 360, 410.1, 413.1, 423.3, 417,  
40, 88, 234, 264; 415/206

### DESCRIPTION

FIG. 1 is a perspective view of a portable pump showing my new design.

FIG. 2 is a front side elevation view thereof;

FIG. 3 is a rear side elevation view thereof;

FIG. 4 is a left side elevation view thereof;

FIG. 5 is a right side elevation view thereof;

FIG. 6 is a top plan view thereof; and,

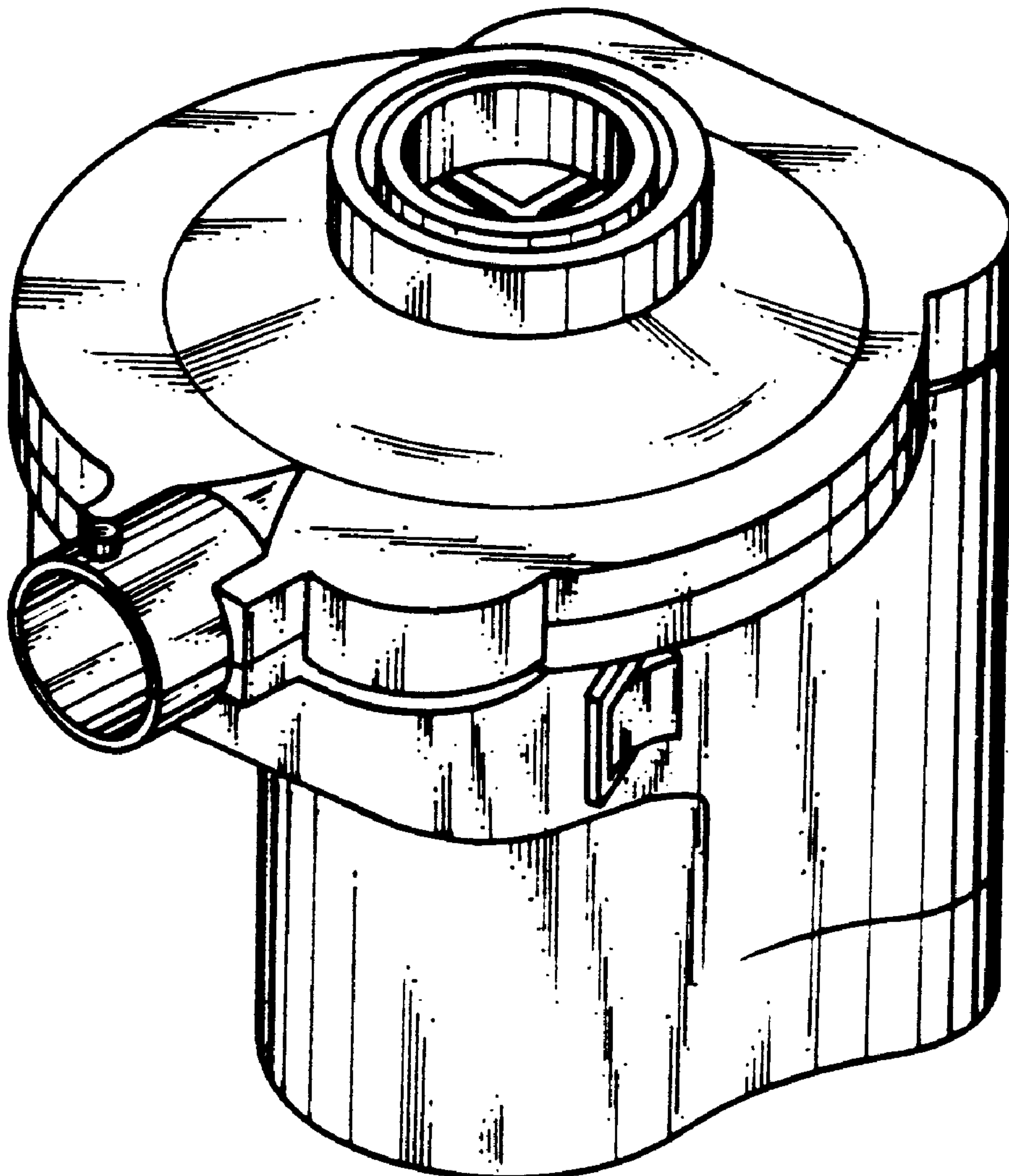
FIG. 7 is a bottom plan view thereof.

### [56] **References Cited**

#### U.S. PATENT DOCUMENTS

D. 237,001 9/1975 Stroberg ..... D15/7  
D. 299,143 12/1988 Hazlehurst ..... D15/7  
D. 352,947 11/1994 Colin et al. .... D15/7

**1 Claim, 4 Drawing Sheets**



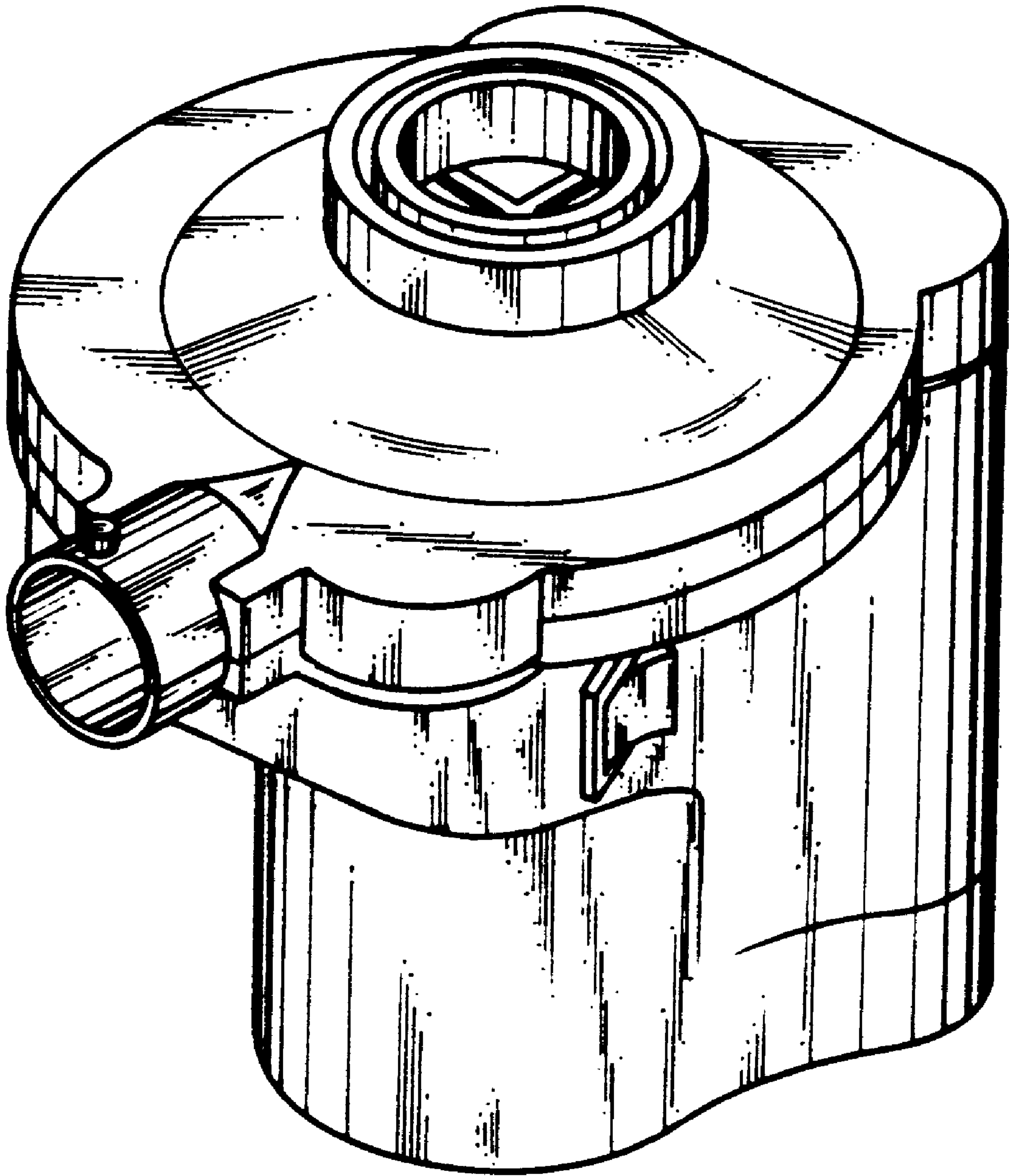


FIG. 1

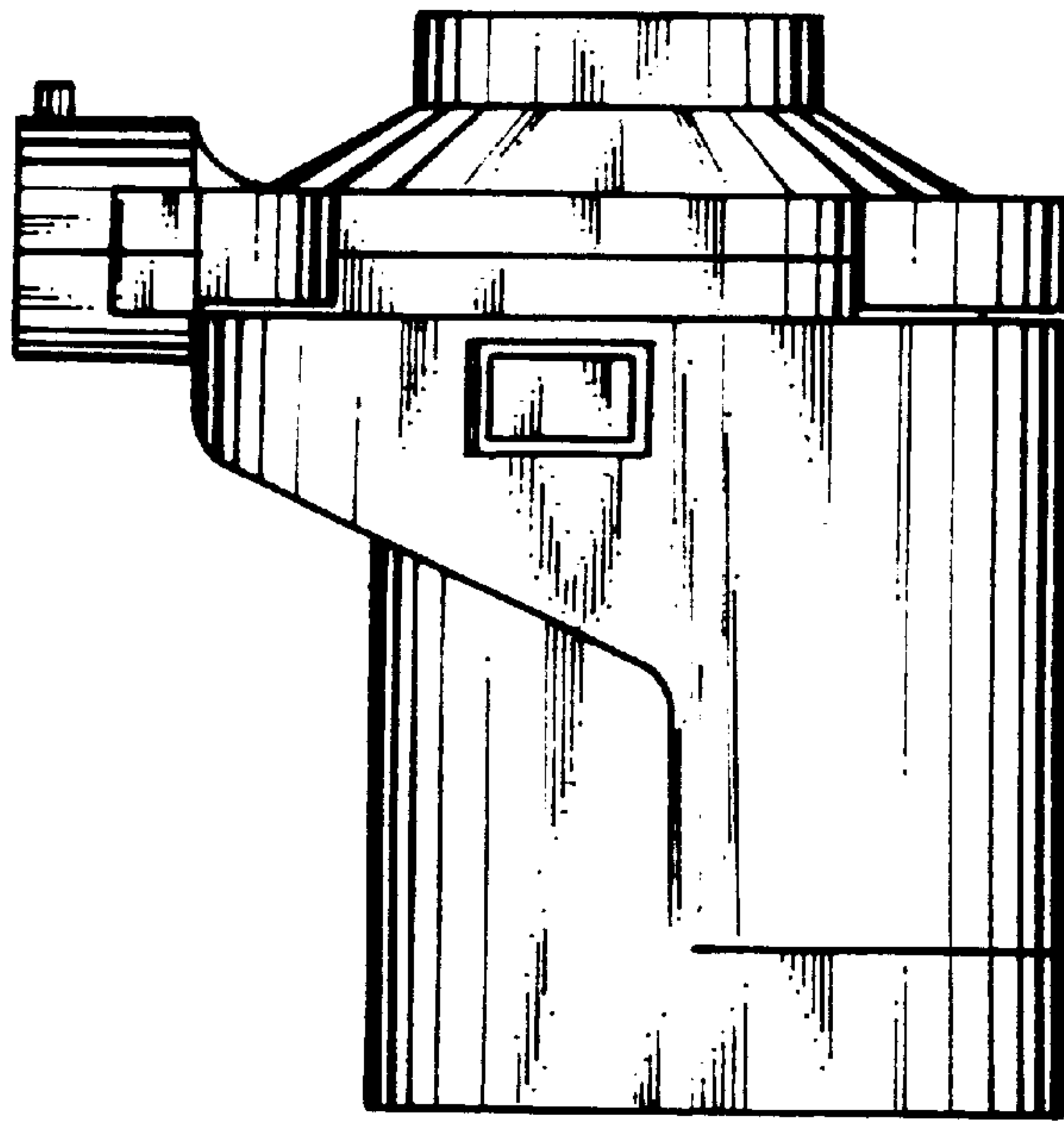


FIG. 2

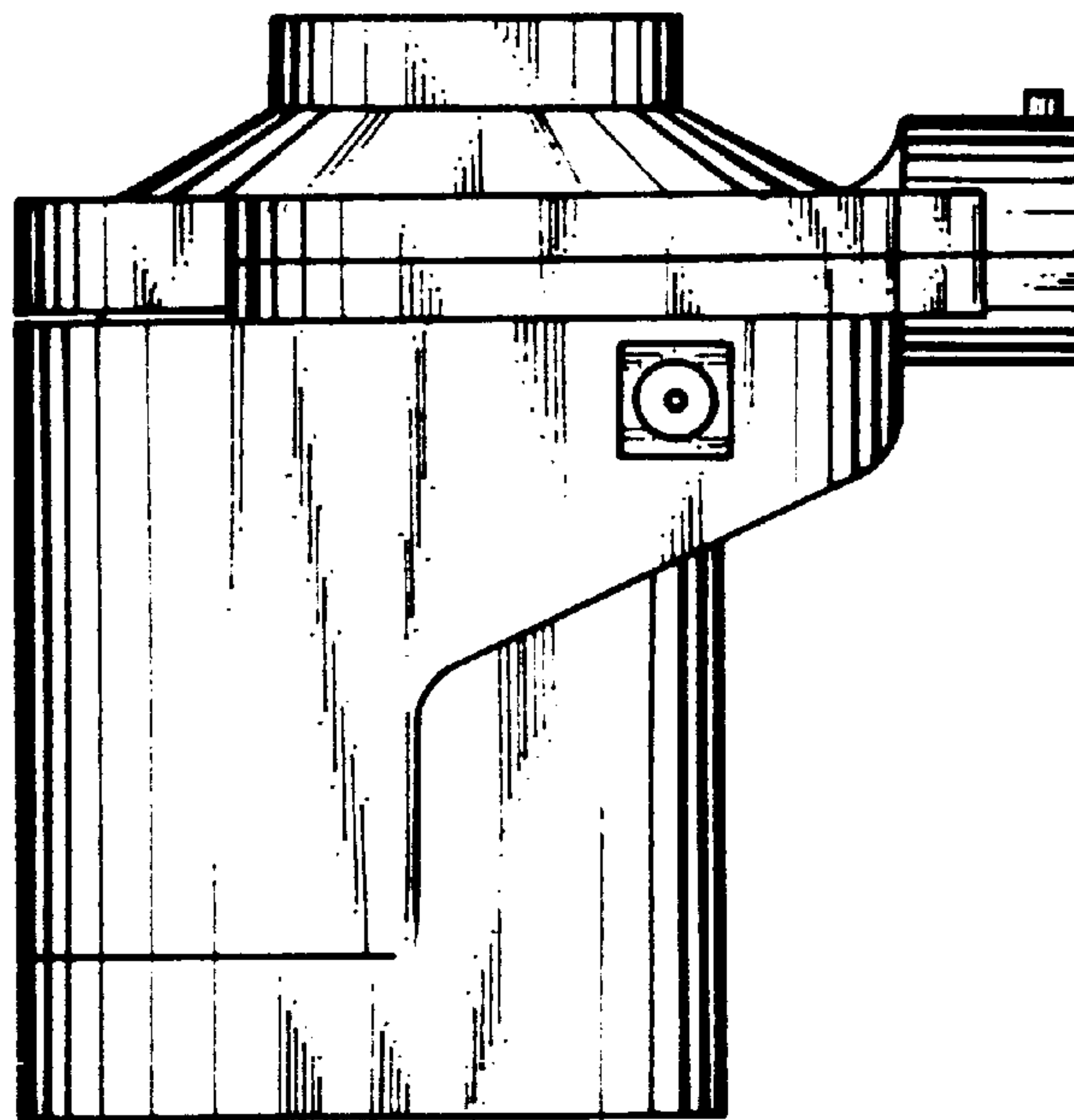


FIG. 3

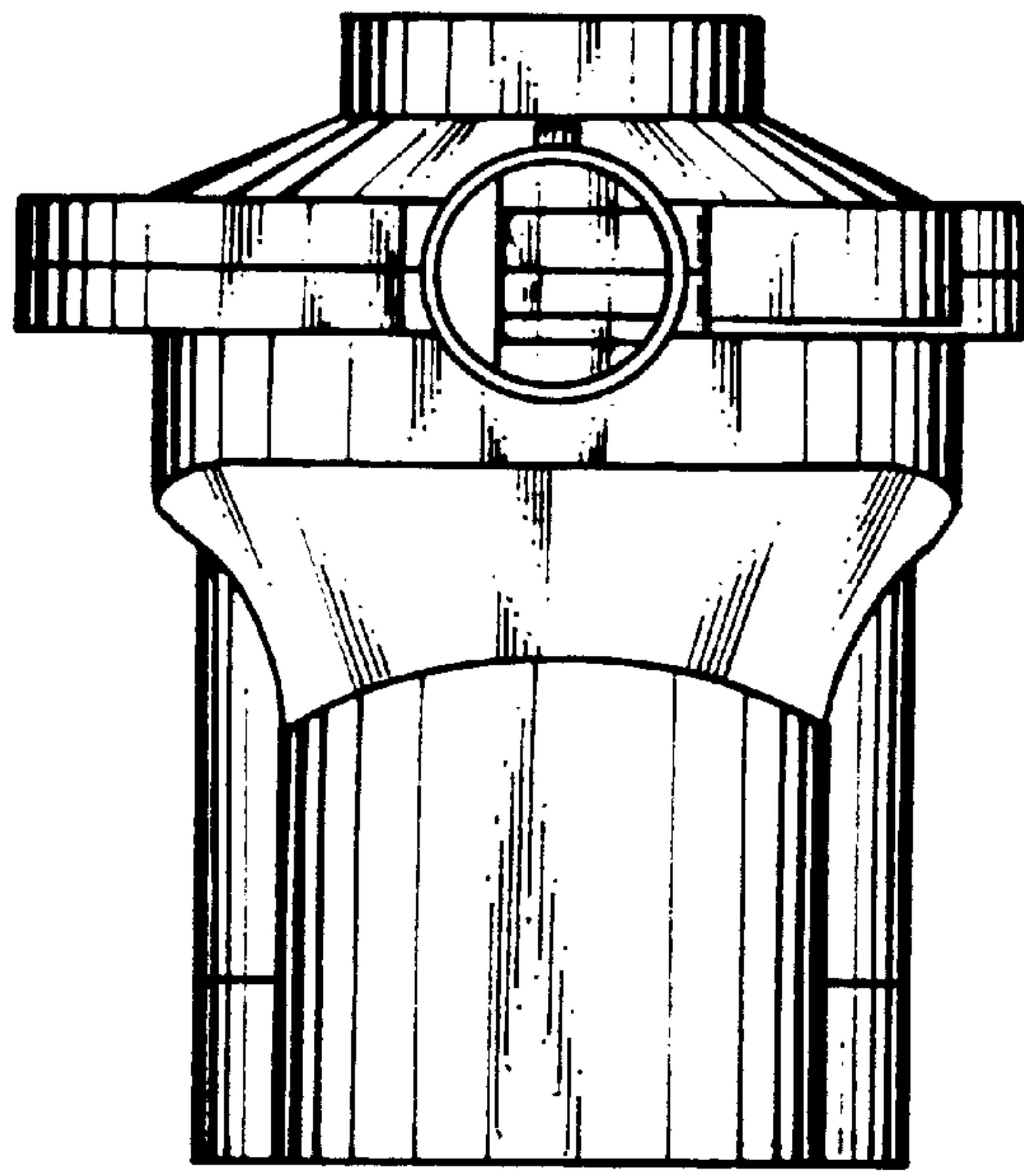


FIG. 4

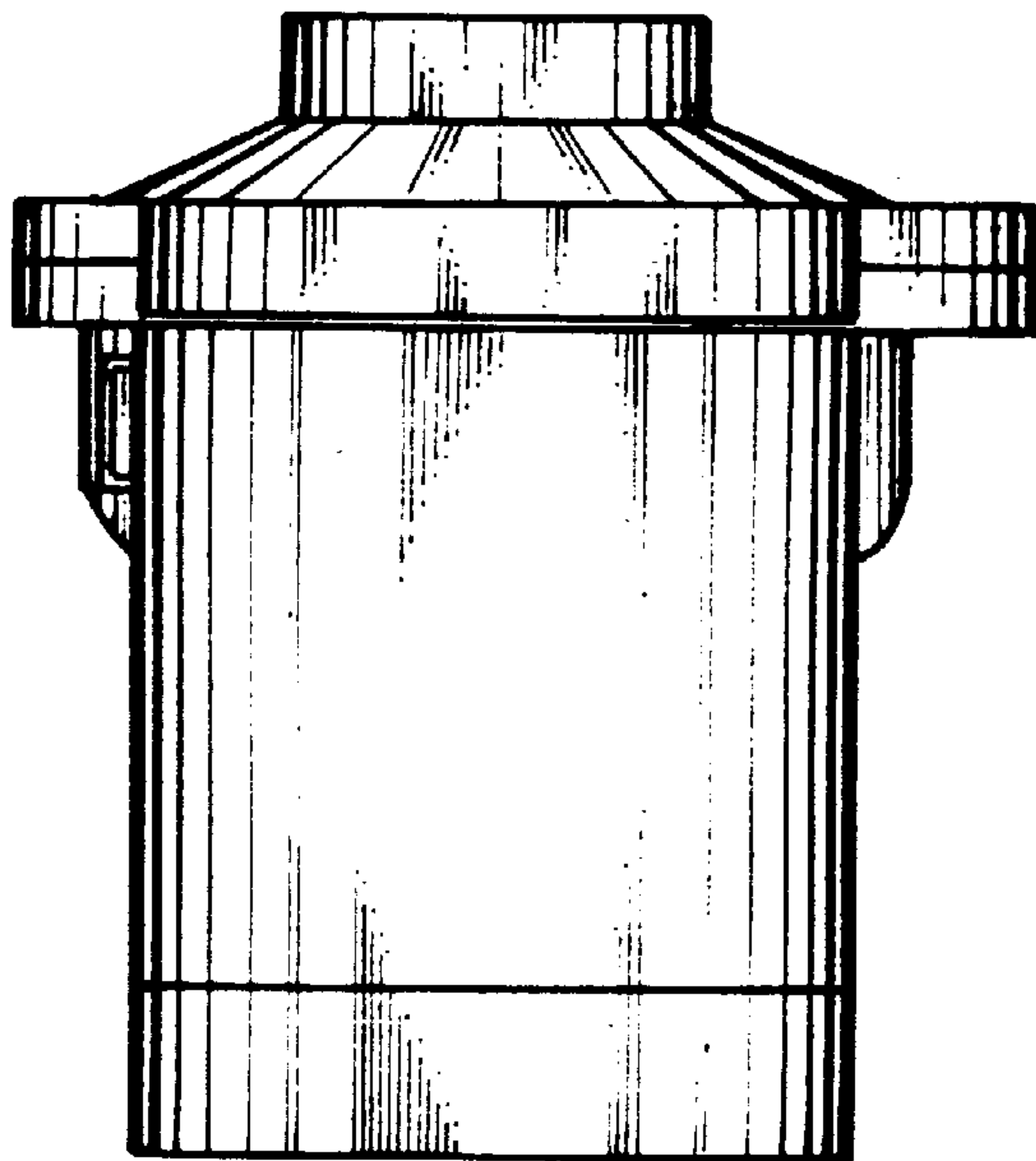


FIG. 5

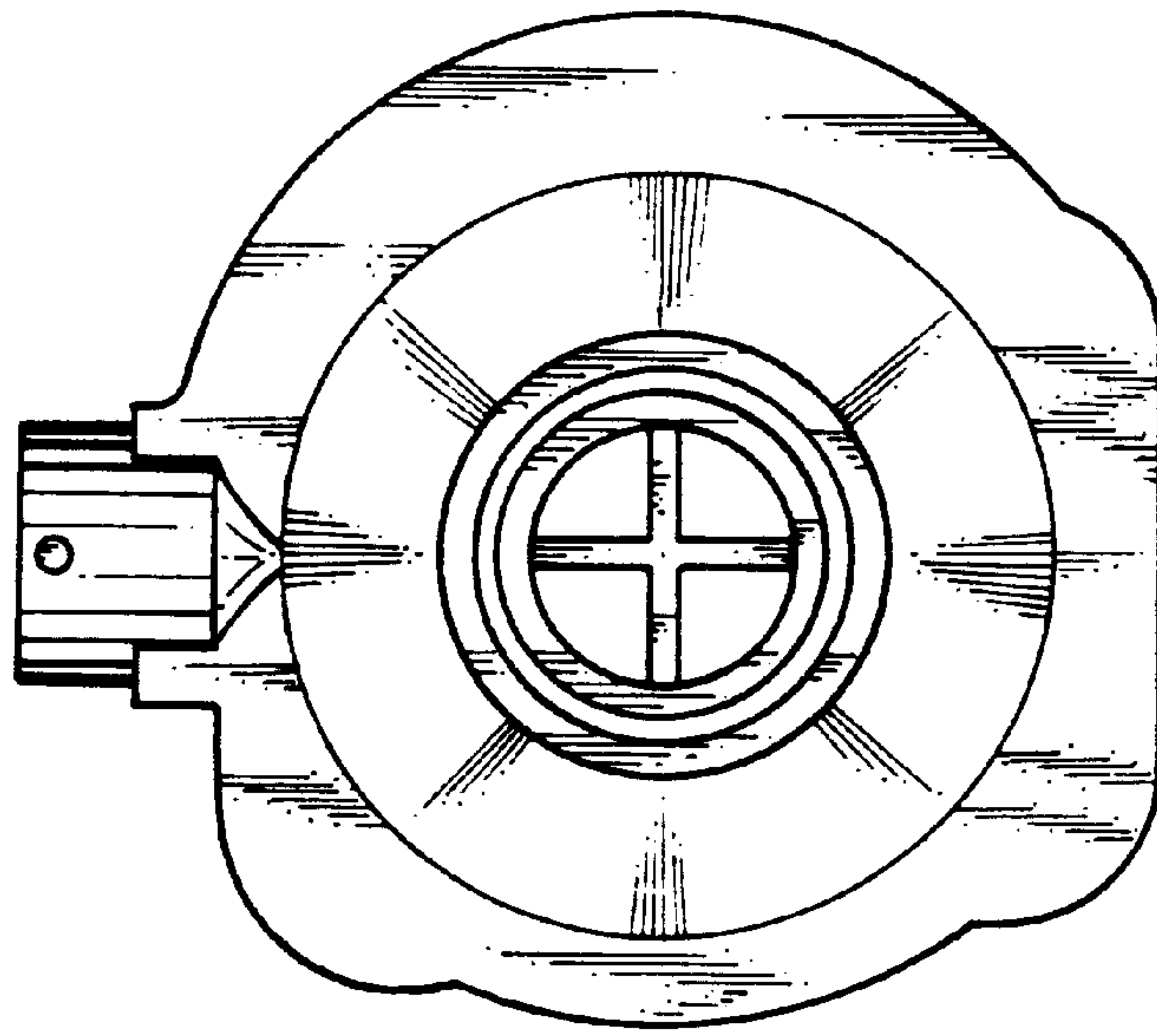


FIG. 6

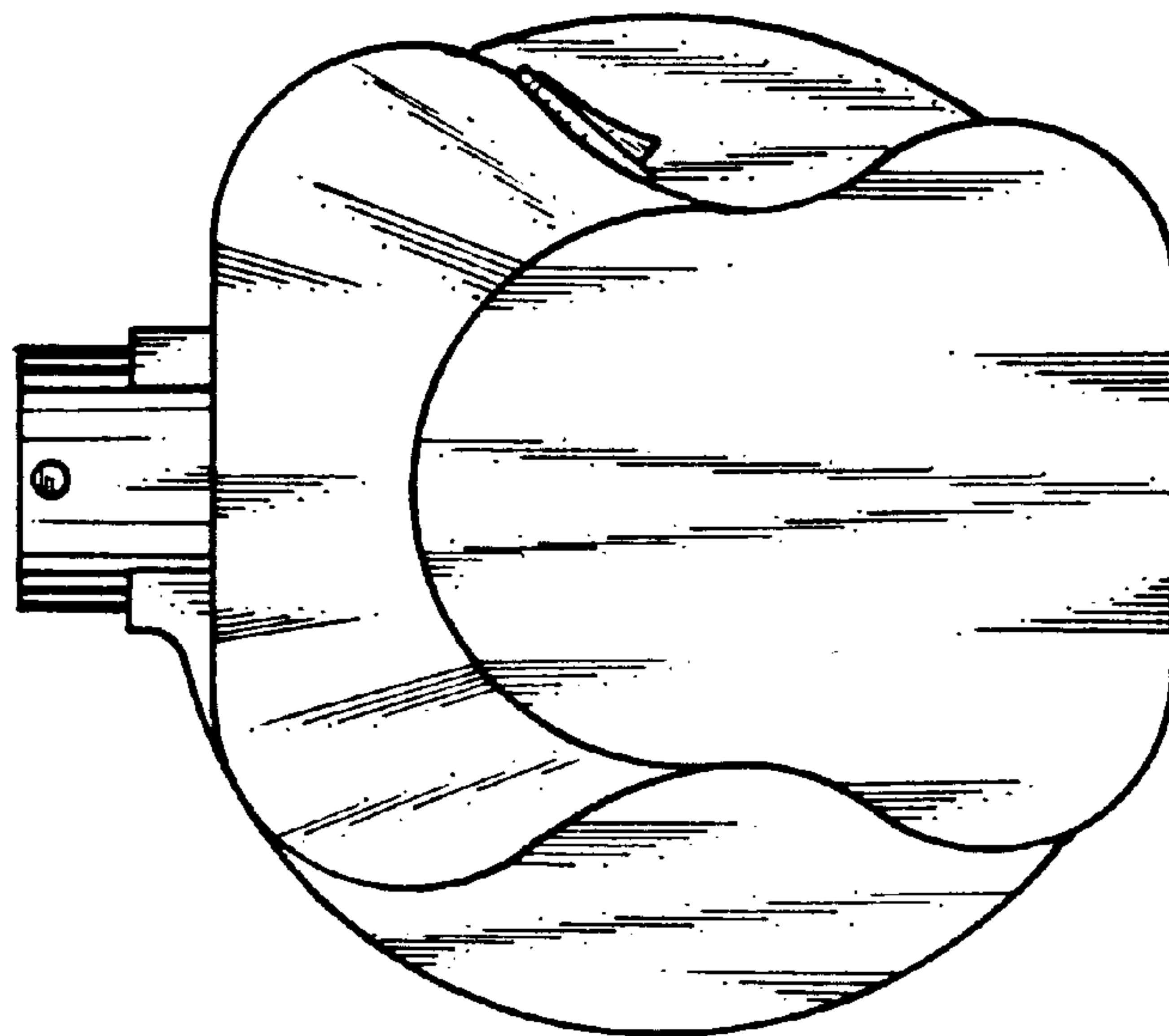


FIG. 7