



US00D435048S

# United States Patent [19]

Breaser et al.

[11] Patent Number: Des. 435,048

[45] Date of Patent: \*\* Dec. 12, 2000

[54] AIRLESS SPRAY PUMP

D. 377,799 2/1997 Kruzel et al. .... D15/7  
D. 384,676 10/1997 Cyphers et al. .... D15/7  
4,768,932 9/1988 Gerberth, Jr. .... 417/522

[75] Inventors: **David L. Breaser**, Excelsior; **Glen W. Davidson**, Roseville; **Ben G. Rogowski**, Minneapolis; **Thomas A. Tedham**, Eden Prairie, all of Minn.

*Primary Examiner*—Ralf Seifert  
*Attorney, Agent, or Firm*—Douglas B Farrow

[73] Assignee: **Graco Minnesota Inc**, Minneapolis, Minn.

[57] CLAIM

[\*\*] Term: **14 Years**

The ornamental design for the airless spray pump, as shown and described.

[21] Appl. No.: **29/111,553**

### DESCRIPTION

[22] Filed: **Sep. 30, 1999**

FIG. 1 is a front perspective view of the airless spray pump; FIG. 2 is a left side elevation view thereof; FIG. 3 is a front elevation view thereof; FIG. 4 is a right side elevation view thereof; FIG. 5 is a rear elevation view thereof; FIG. 6 is a top elevation view thereof; and, FIG. 7 is a bottom elevation view thereof.

[51] LOC (7) Cl. .... **15-02**

[52] U.S. Cl. .... **D15/7**

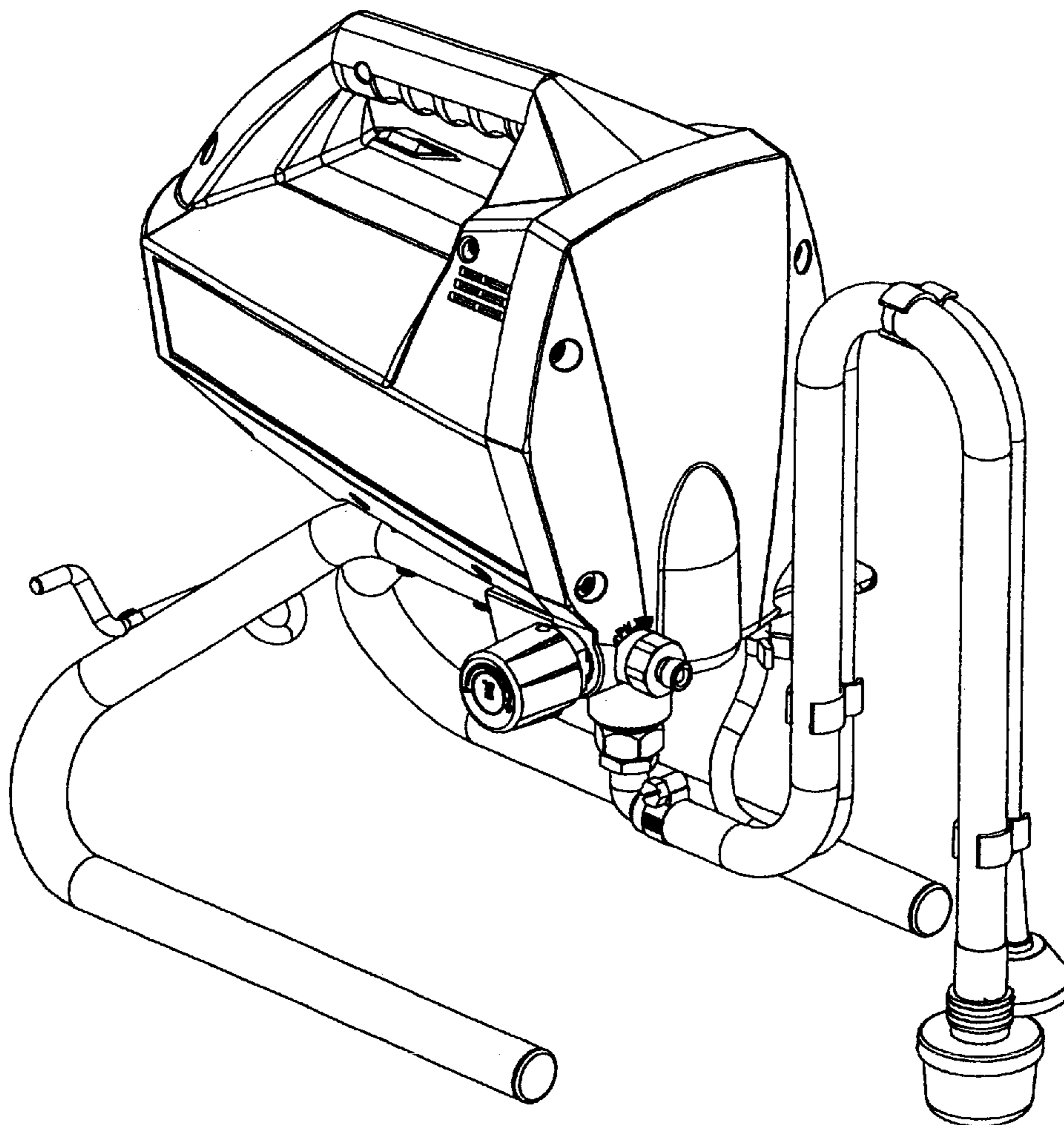
[58] Field of Search ..... D15/7; D23/224-225, D23/213; 417/552, 305, 383, 234; D32/15, 24, 21; D13/213, 224.5

[56] **References Cited**

#### U.S. PATENT DOCUMENTS

D. 262,114 12/1981 Rowlands ..... D15/7

**1 Claim, 4 Drawing Sheets**



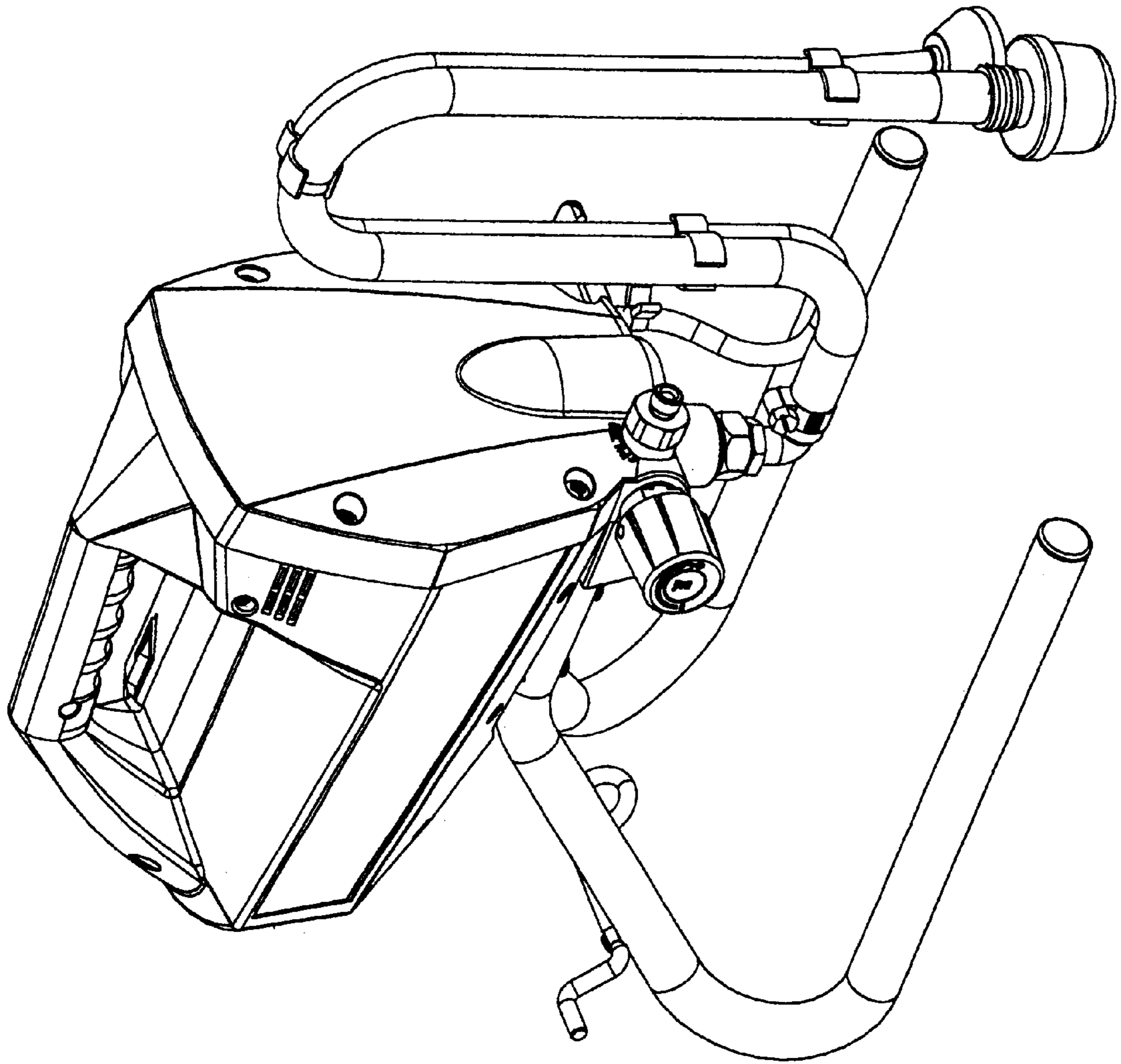


Fig 1

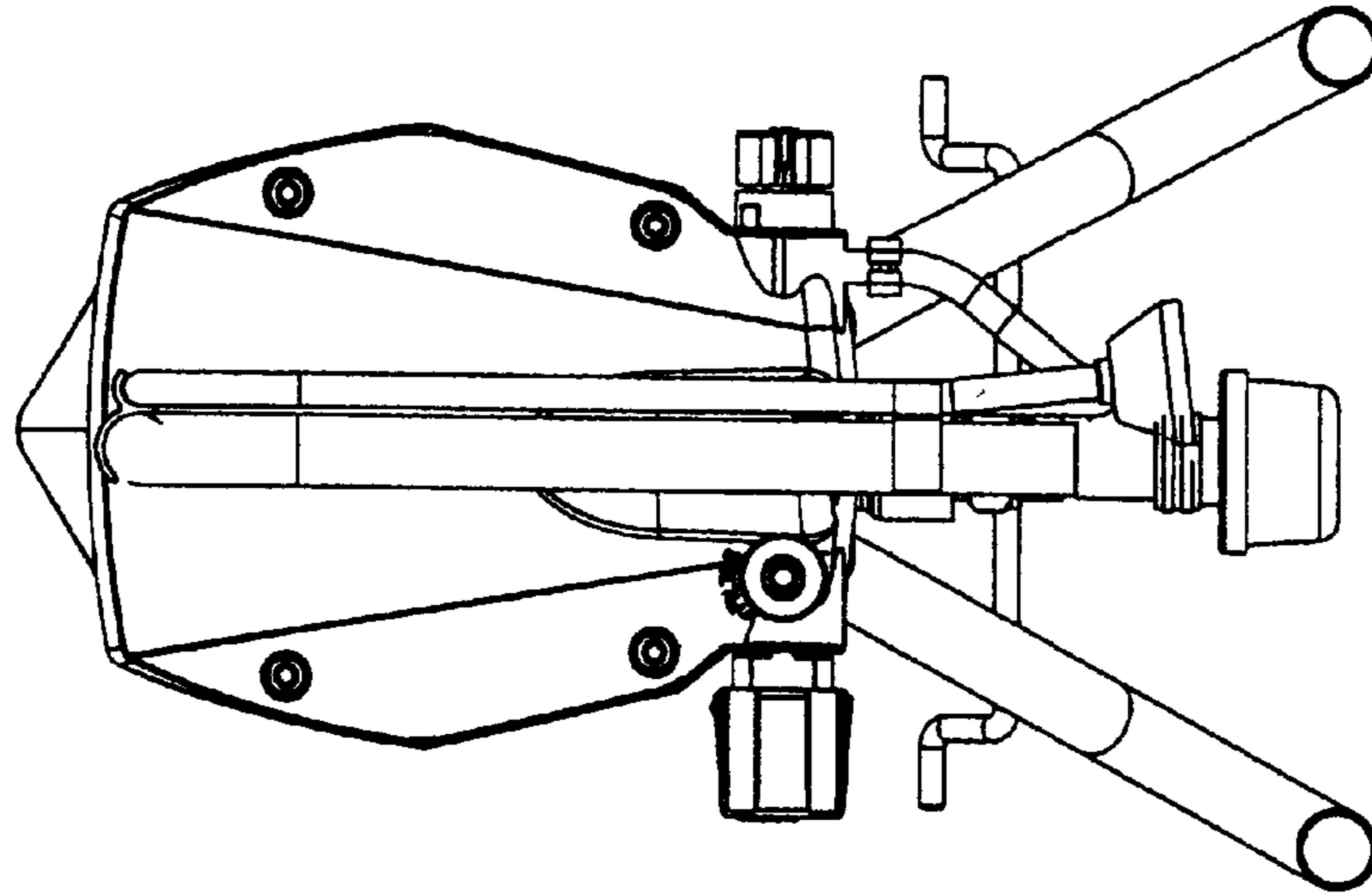


Fig 3

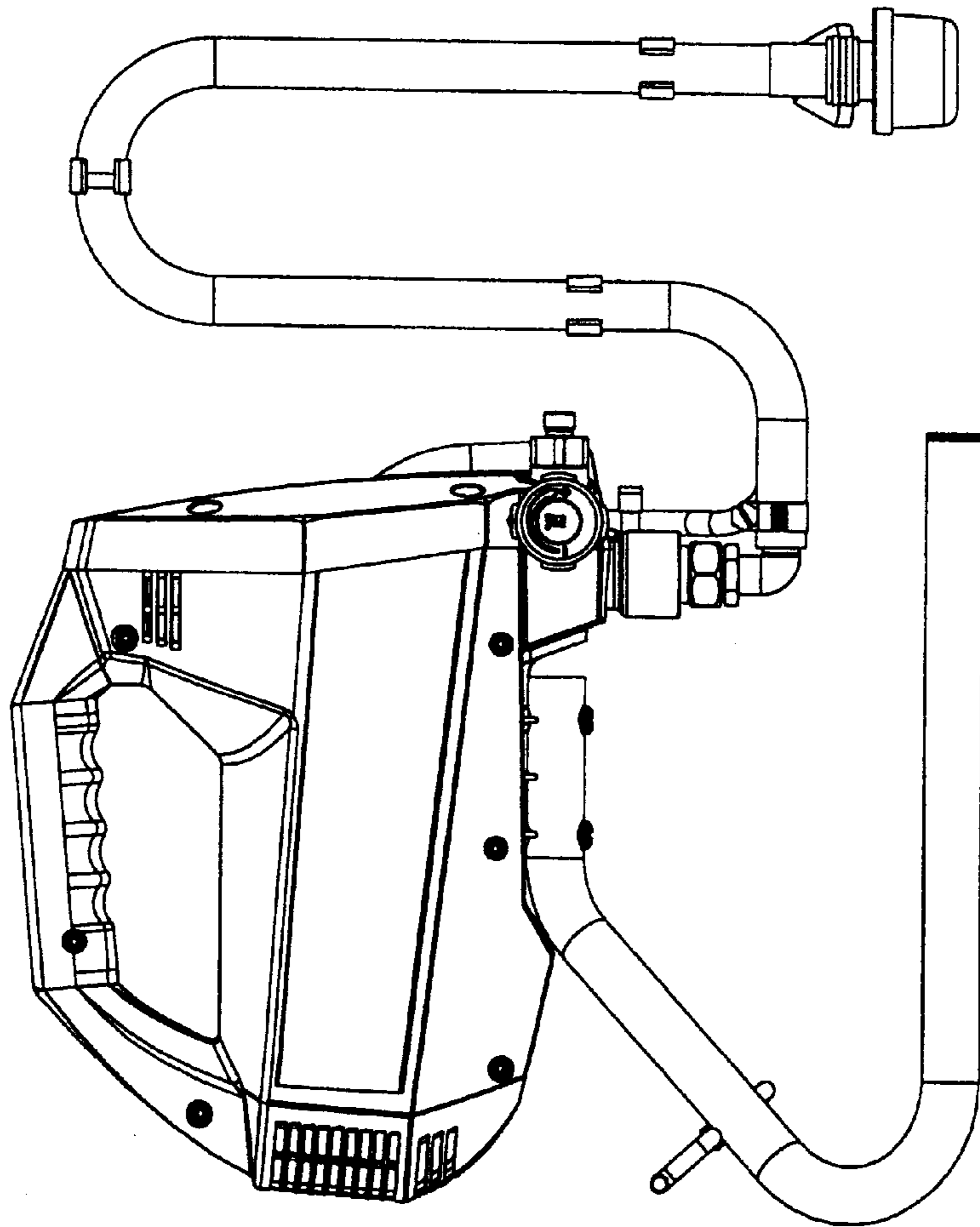


Fig 2

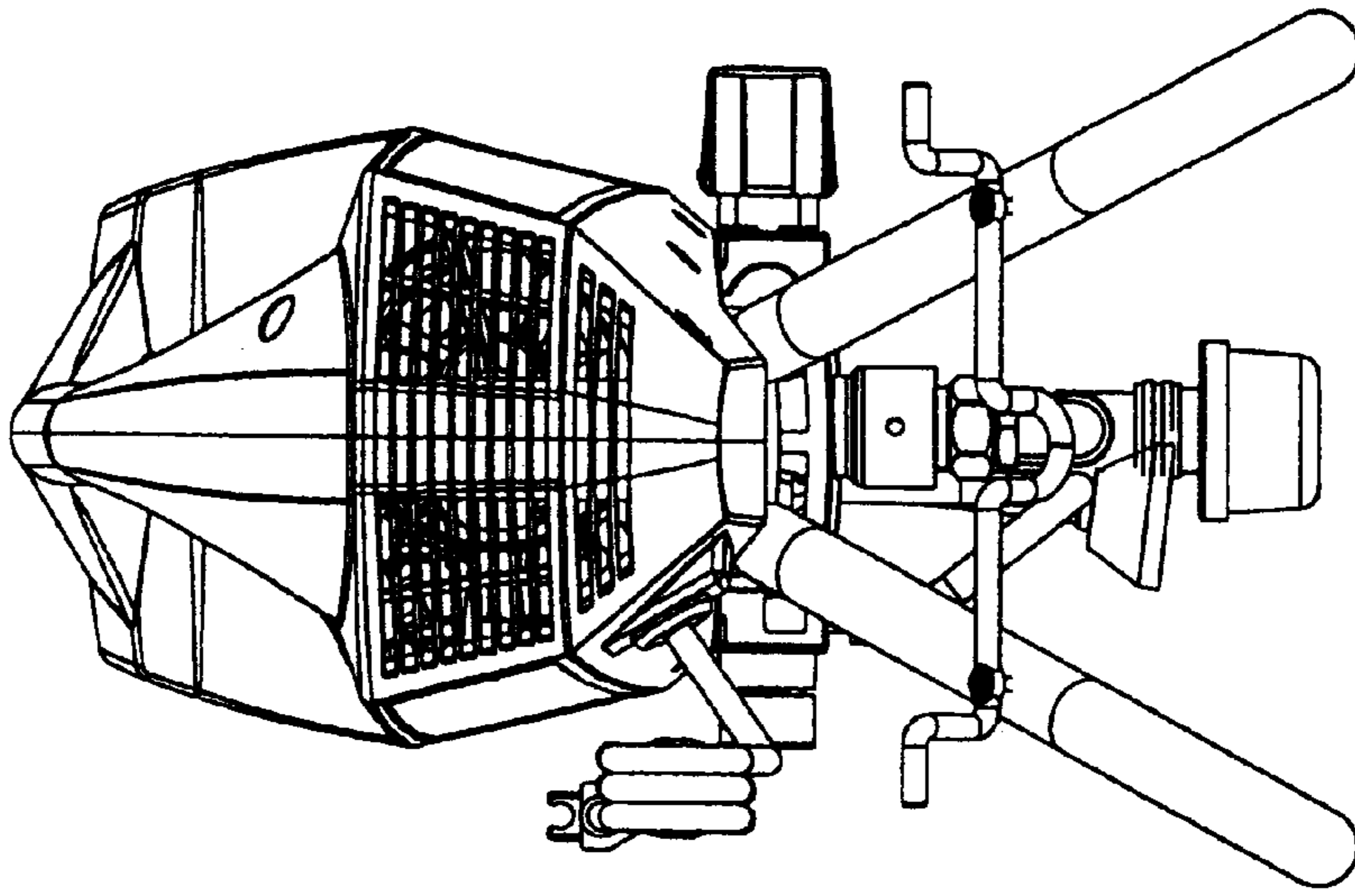


Fig 5

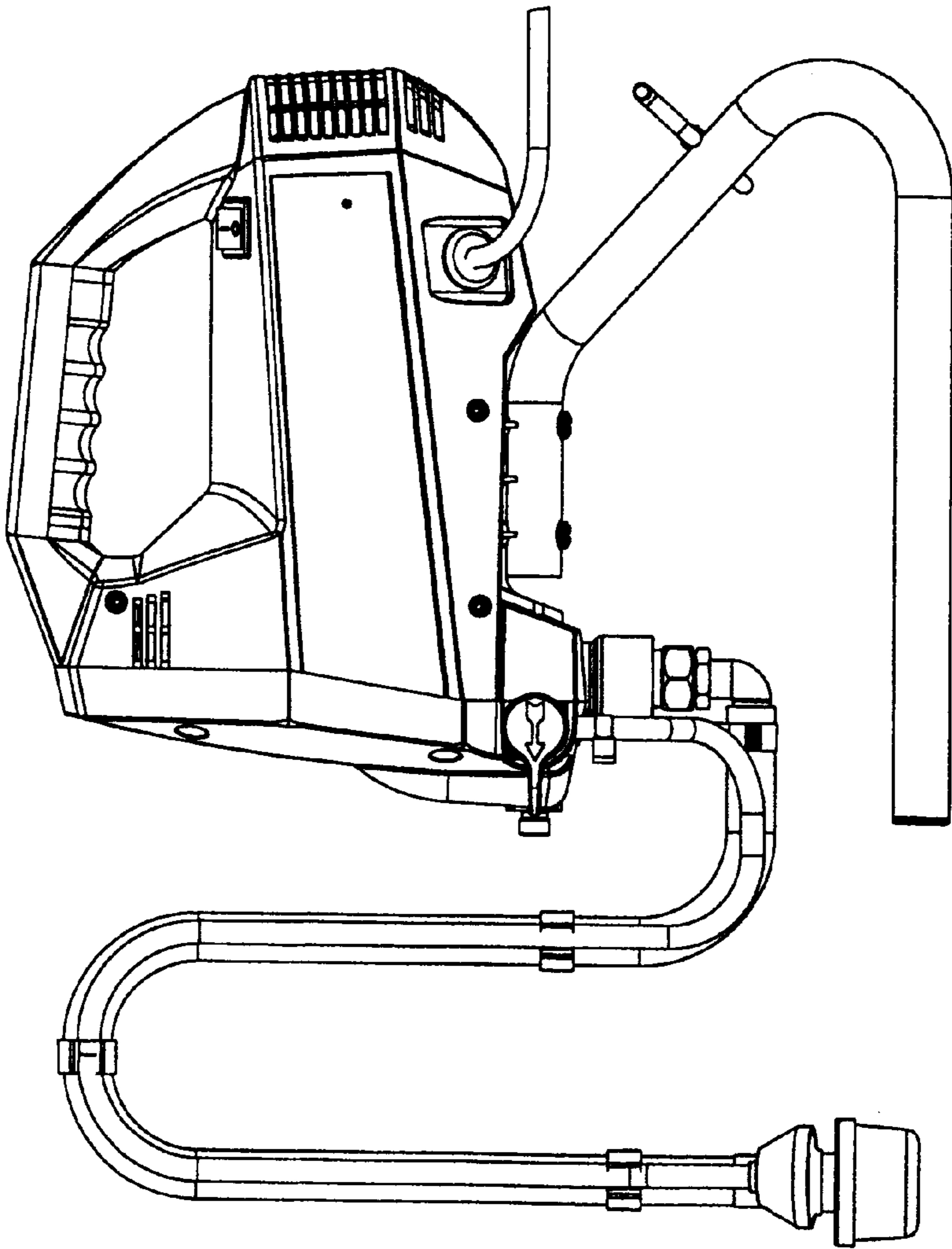


Fig 4

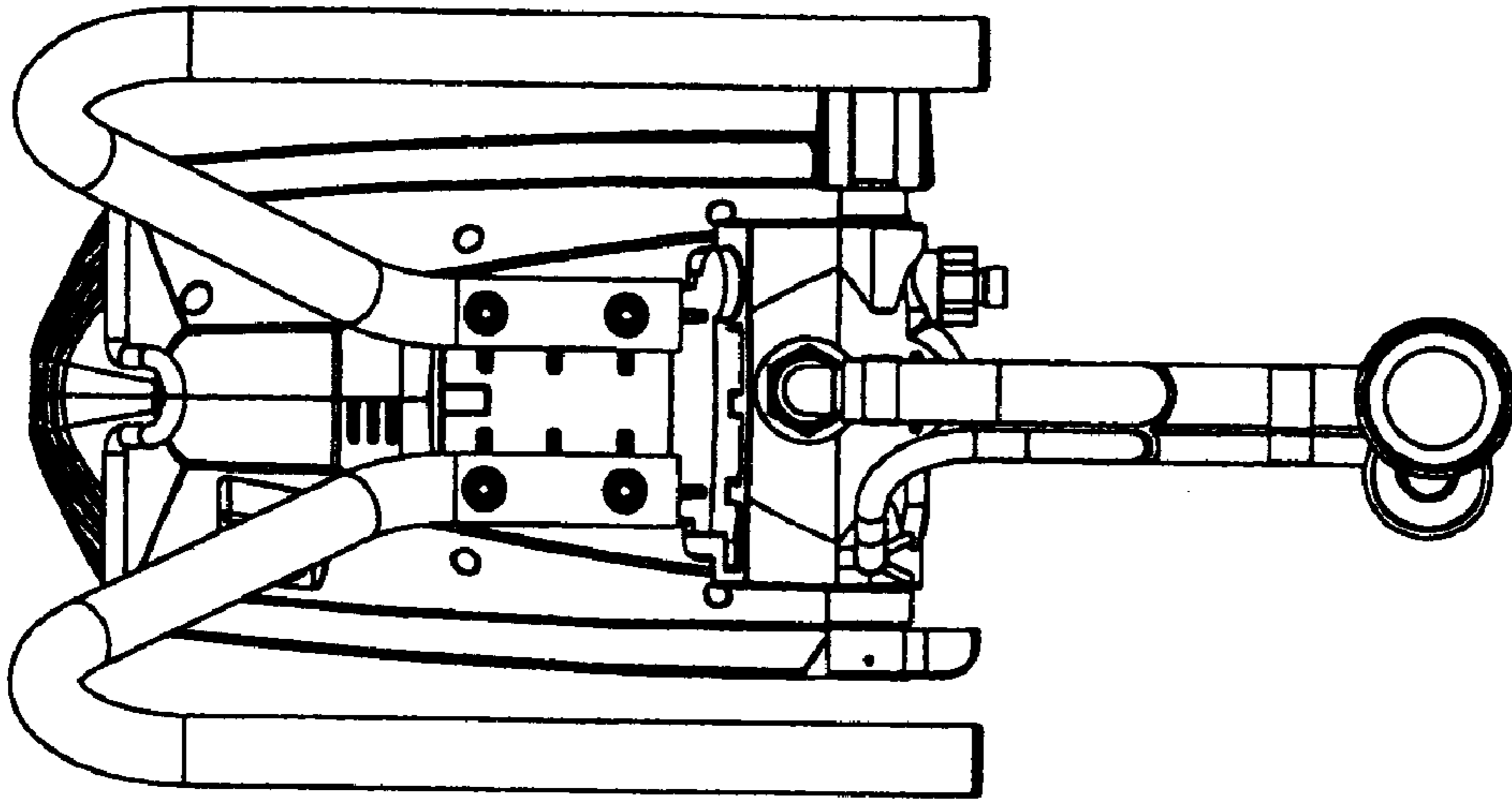


Fig 7

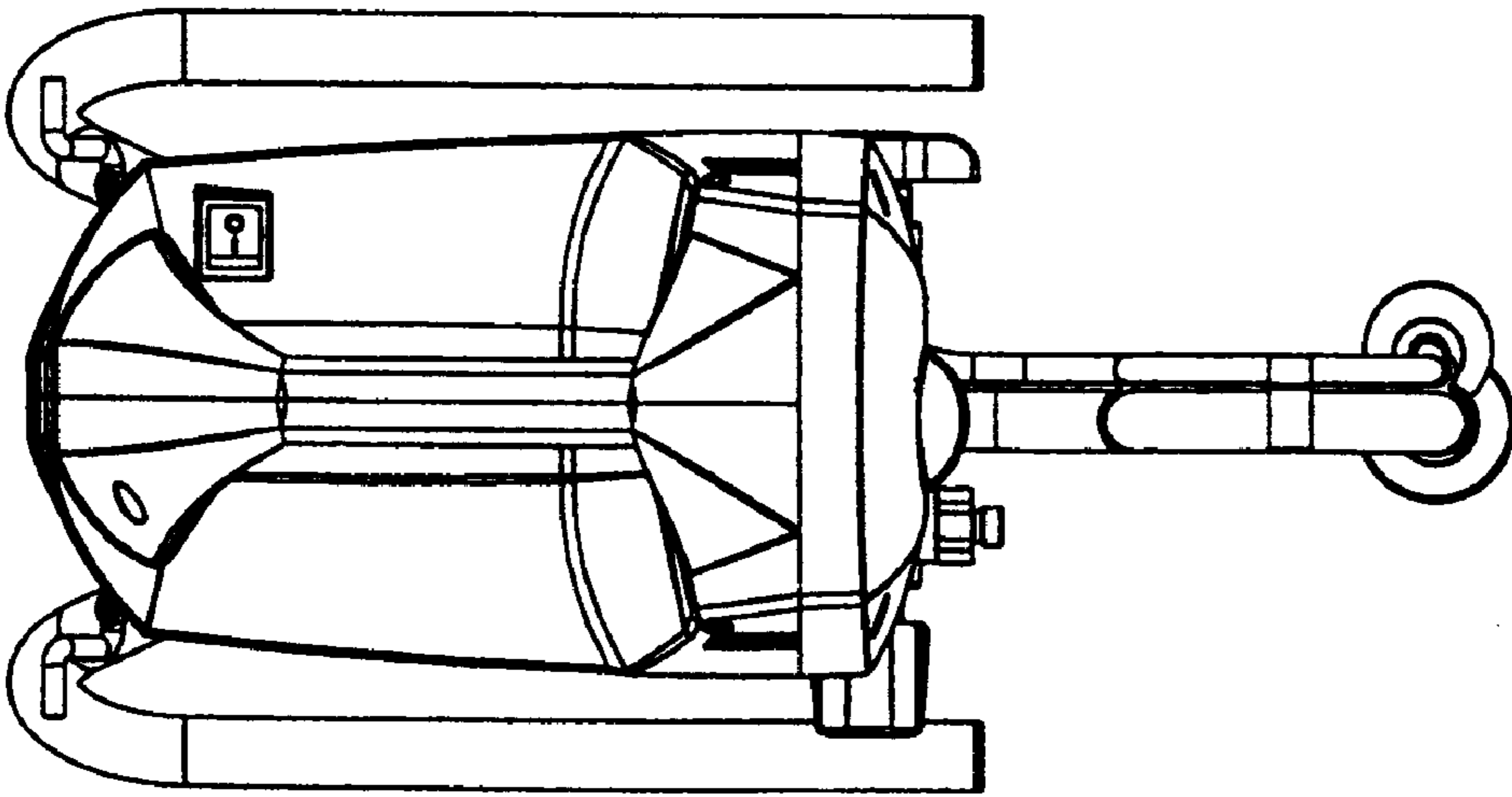


Fig 6