



US00D435047S

# United States Patent [19] Suzuki

[11] Patent Number: Des. 435,047

[45] Date of Patent: \*\* Dec. 12, 2000

[54] PORTION OF AN ELECTRONIC COMPUTER

[75] Inventor: Shogo Suzuki, Matsudo, Japan

[73] Assignee: Kabushiki Kaisha Toshiba, Kawasaki, Japan

[\*\*] Term: 14 Years

[21] Appl. No.: 29/114,146

[22] Filed: Nov. 19, 1999

### [30] Foreign Application Priority Data

May 21, 1999 [JP] Japan ..... 11-13296

[51] LOC (7) Cl. .... 14-02

[52] U.S. Cl. .... D14/439

[58] Field of Search ..... D14/314-16, 318, D14/432, 439, 455, 456; D8/323-29; 16/267, 285, 342, 354; 361/681, 683, 687, 755

### [56] References Cited

#### U.S. PATENT DOCUMENTS

- D. 249,455 9/1978 Tilley .
- D. 269,529 6/1983 Luen .
- D. 319,819 9/1991 Kawaguchi .
- D. 335,124 4/1993 Mizusugi et al. .
- D. 337,096 7/1993 Iino .
- D. 345,550 3/1994 Iino .
- D. 358,382 5/1995 Franz .
- D. 364,387 11/1995 Chiba et al. .
- D. 365,548 12/1995 Youens .
- D. 385,475 10/1997 Bolinas et al. .
- D. 388,057 12/1997 Miki et al. .
- D. 396,032 7/1998 Kondo et al. .
- D. 396,702 8/1998 Ando .
- D. 398,908 9/1998 Iino .
- D. 399,497 10/1998 Iino .
- D. 419,142 1/2000 Lampatz .
- D. 425,774 5/2000 Ford et al. .
- 5,128,829 7/1992 Loew .
- 5,237,488 8/1993 Moser et al. .
- 5,507,072 4/1996 Youn .
- 5,594,617 1/1997 Foster et al. .
- 5,632,066 5/1997 Huang .

- 5,901,035 5/1999 Foster et al. .
- 5,987,704 11/1999 Tang .
- 5,995,373 11/1999 Nagai .

#### FOREIGN PATENT DOCUMENTS

- 893044 3/1994 Japan .
- 894357 3/1994 Japan .
- 926145 5/1995 Japan .
- 1023784 10/1998 Japan .
- 1042022 6/1999 Japan .
- 164987 7/1995 Rep. of Korea .

#### OTHER PUBLICATIONS

Hewlett Packard, "HP OMNIBOOK Superportable PC", dated Oct. 1993.

Compaq Brochure, "For All The Paths You May Travel, Compaq Leads You In The Right Direction", 1994.

NEC Catalog MC-R520, exact date unknown but obtained before May 21, 1999.

Hitachi Seisakusho Catalog, Flora 1010NE, May, 1995.

Novatel Wireless Catalog, Contact, Aug. 10, 1998.

Ascentia 910N Catalog, AST Research, Inc., Aug. 10, 1995.

Primary Examiner—M. H. Tung

Attorney, Agent, or Firm—Banner & Witcoff, Ltd.

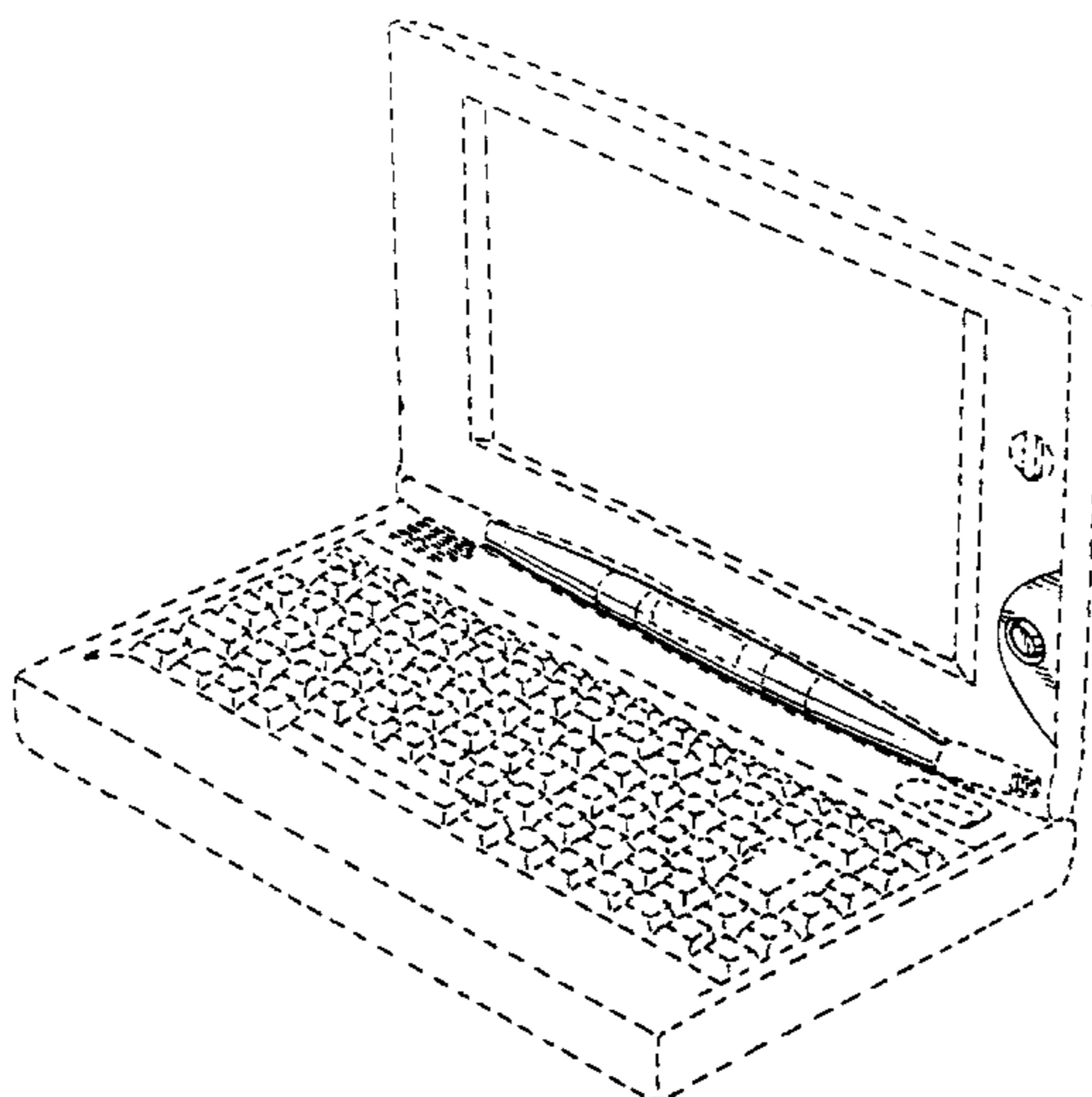
### [57] CLAIM

The ornamental design for a portion of an electronic computer, as shown and described.

### DESCRIPTION

FIG. 1 is a top, front and right side perspective view of a portion of an electronic computer showing my new design; FIG. 2 is a front elevational view thereof; FIG. 3 is a top plan view thereof; FIG. 4 is a bottom plan view thereof; FIG. 5 is a right side elevational view thereof; FIG. 6 is a left side elevational view thereof; FIG. 7 is a rear elevational view thereof; and, FIG. 8 is a top plan view with a lid in a closed position. The broken line showing of the remainder of the electronic computer is for illustrative purposes only and forms no part of the claimed design.

1 Claim, 4 Drawing Sheets



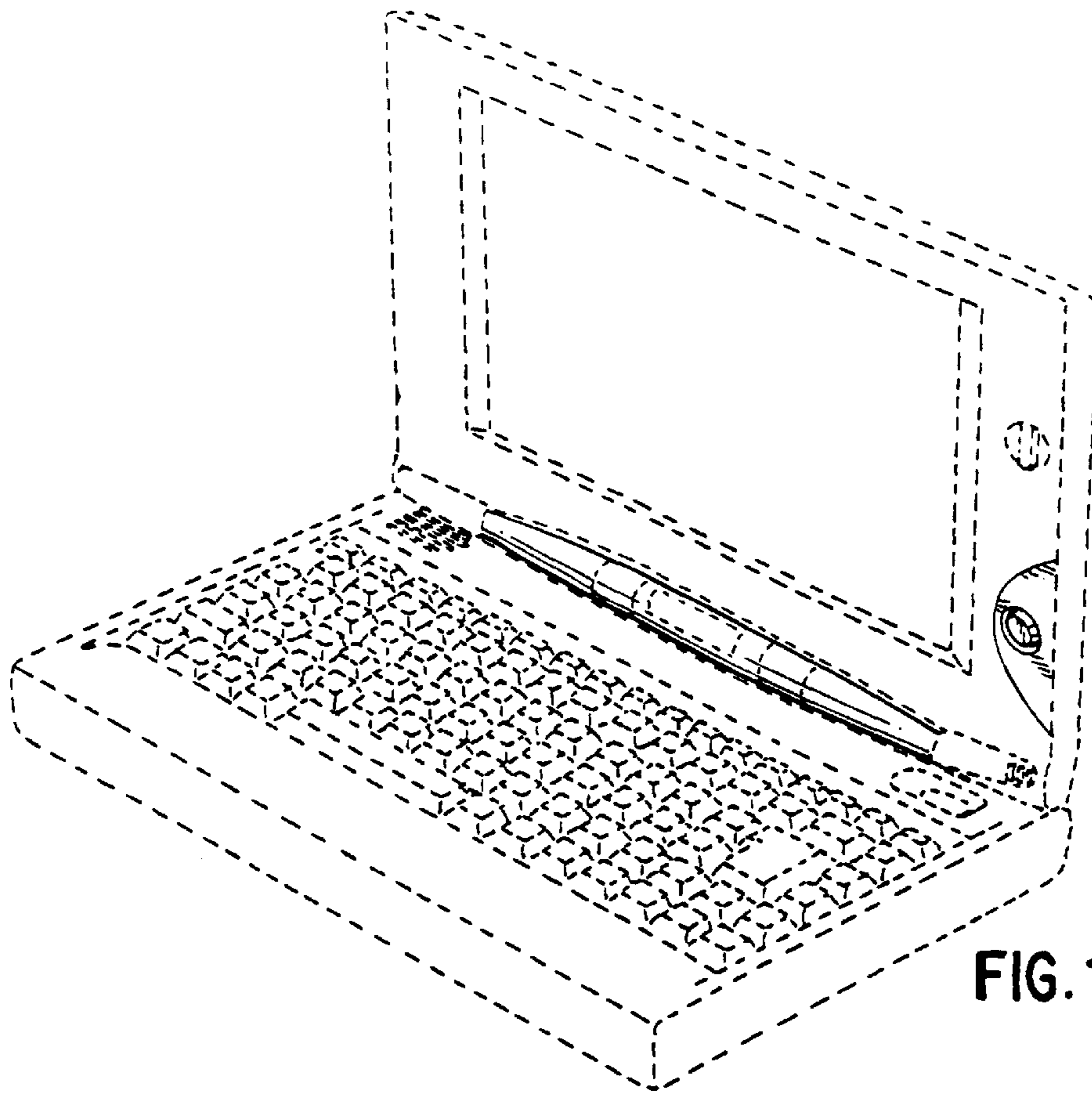


FIG. 1

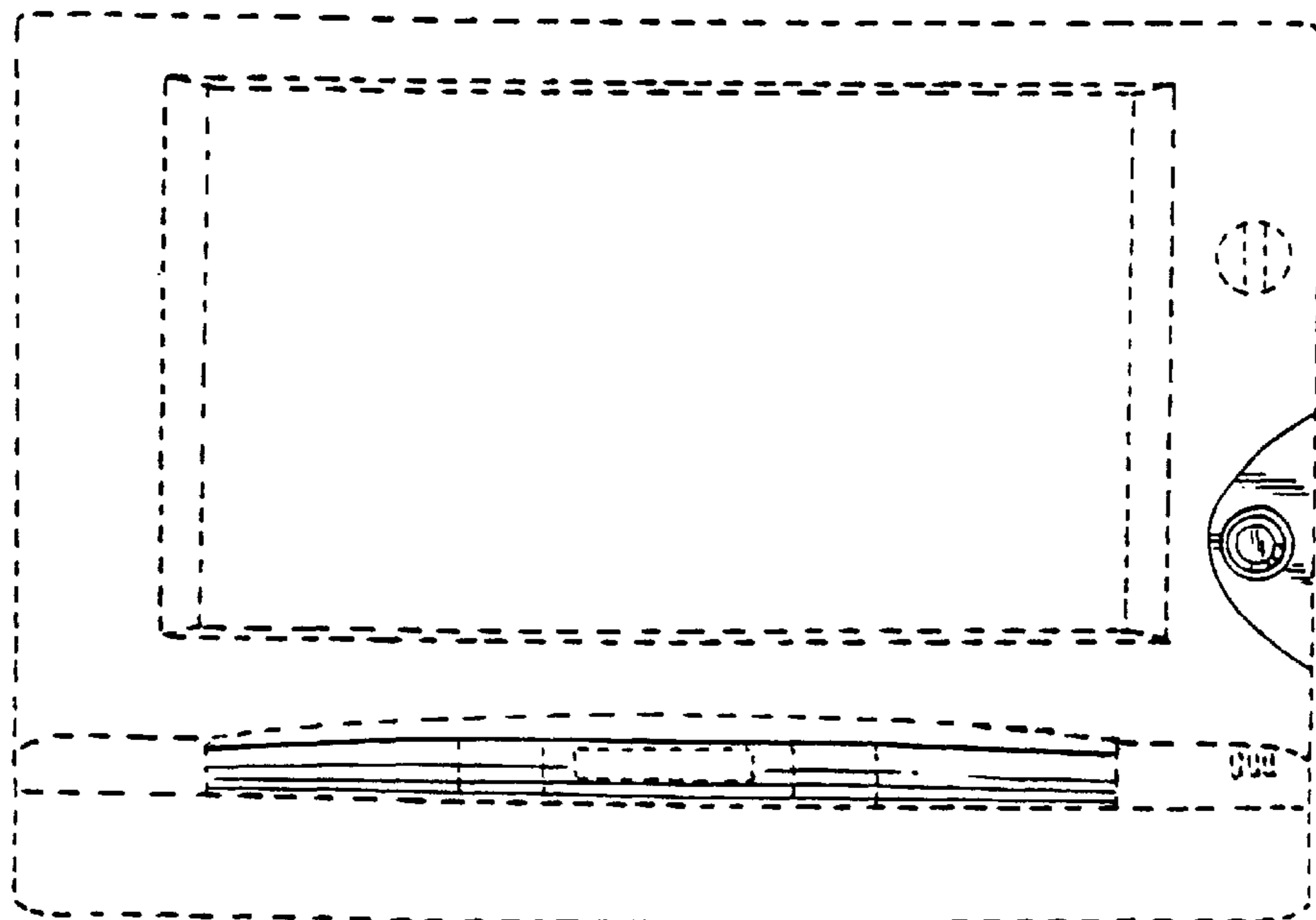


FIG. 2

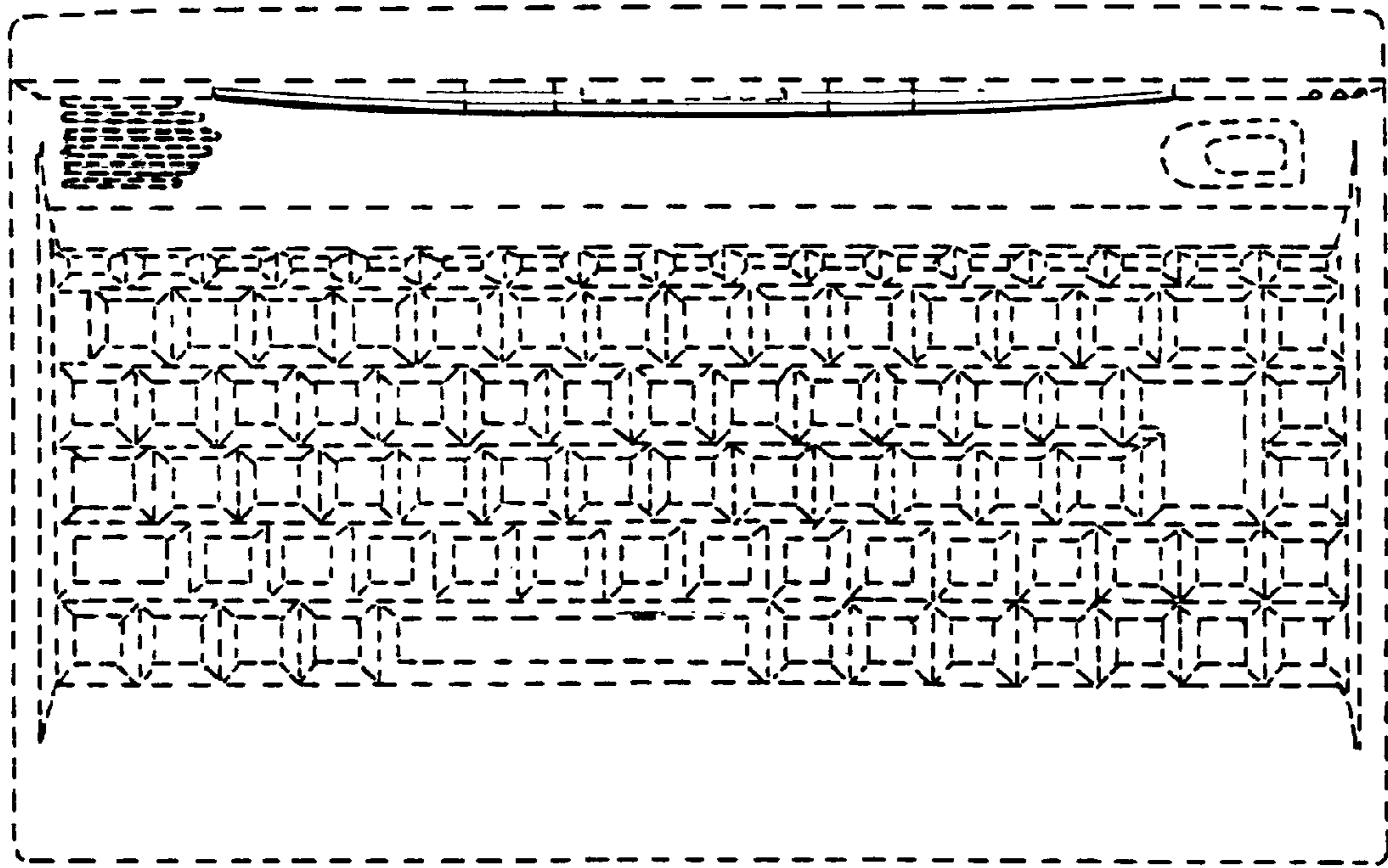


FIG. 3

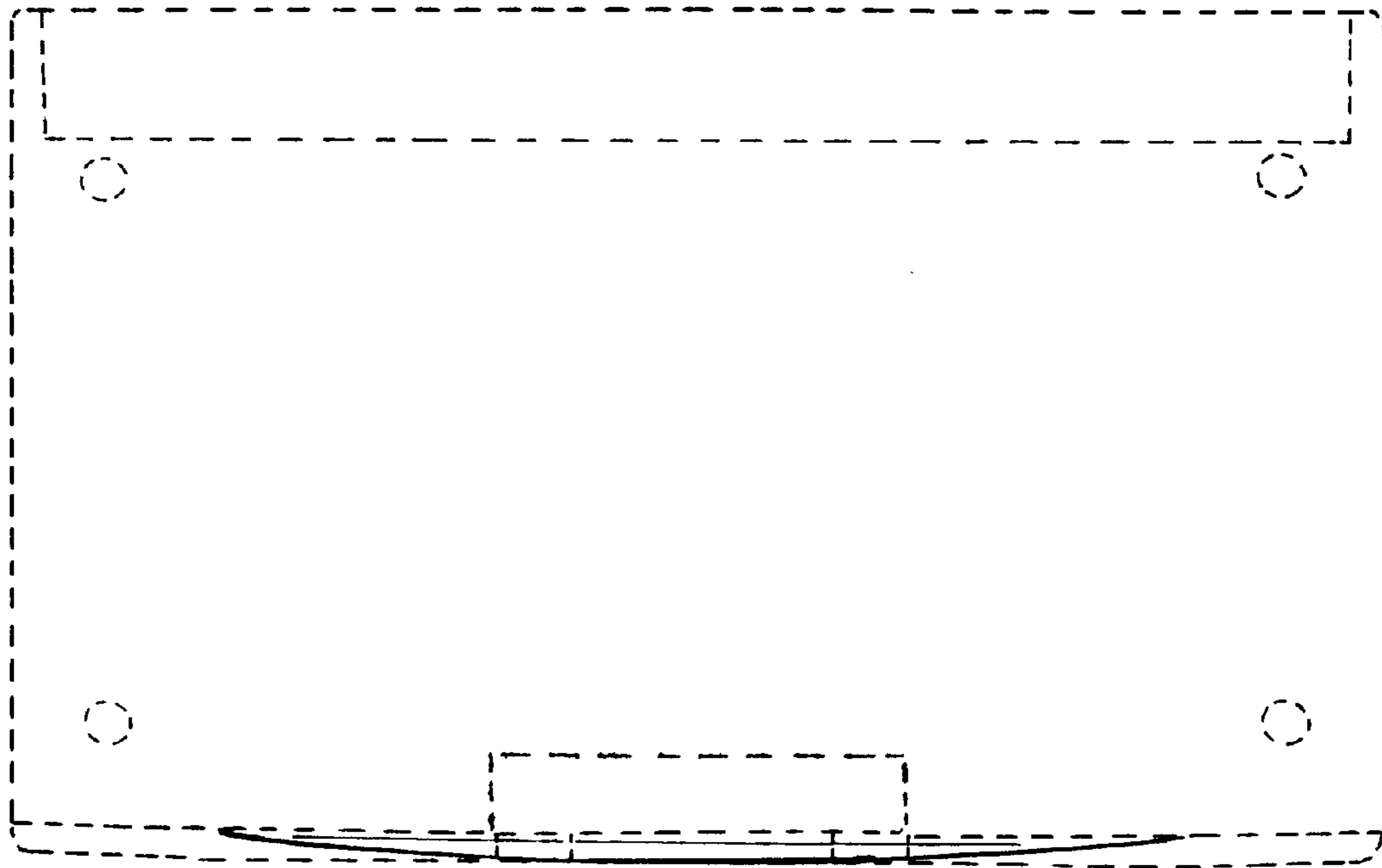


FIG. 4

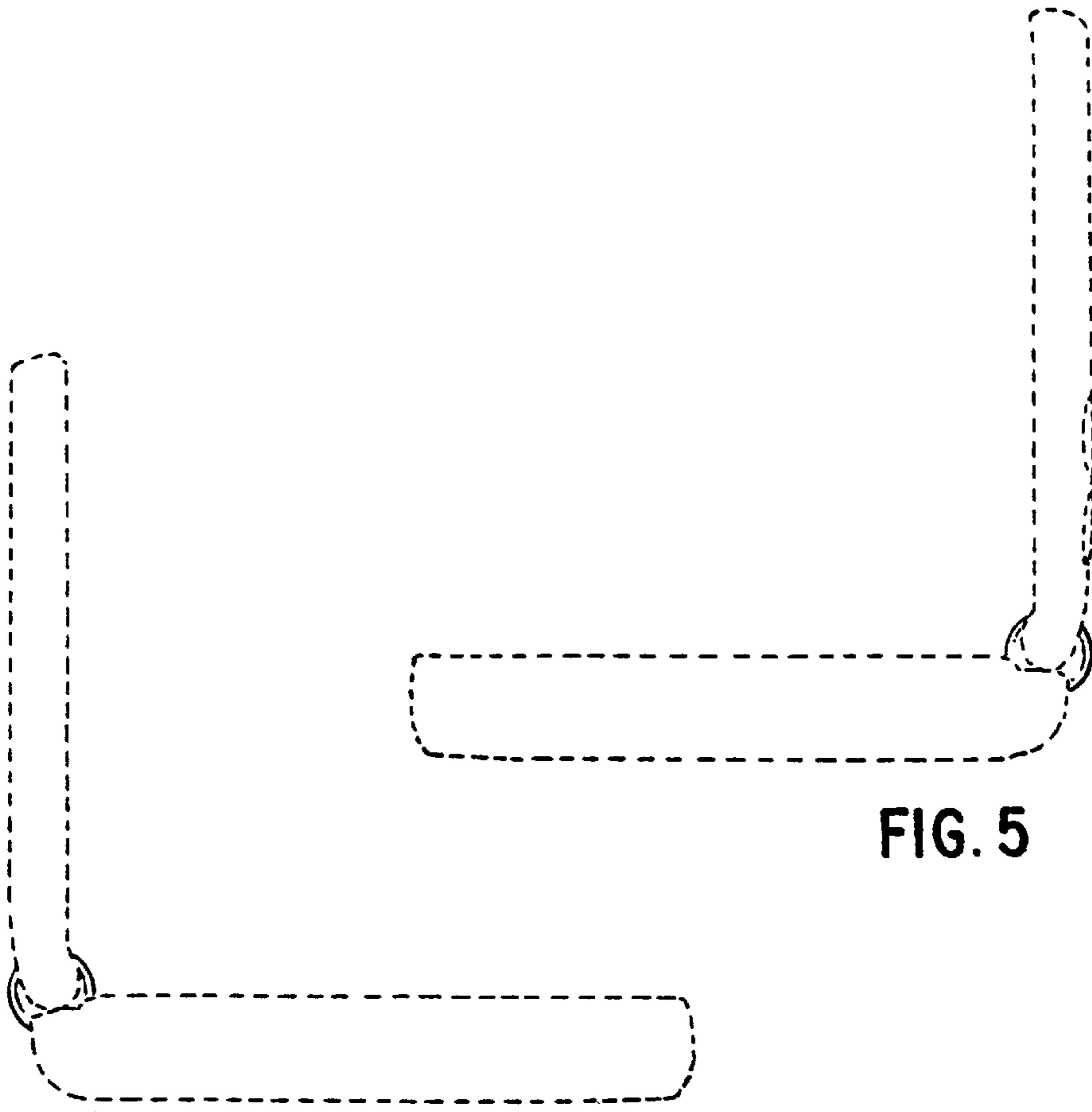


FIG. 5

FIG. 6

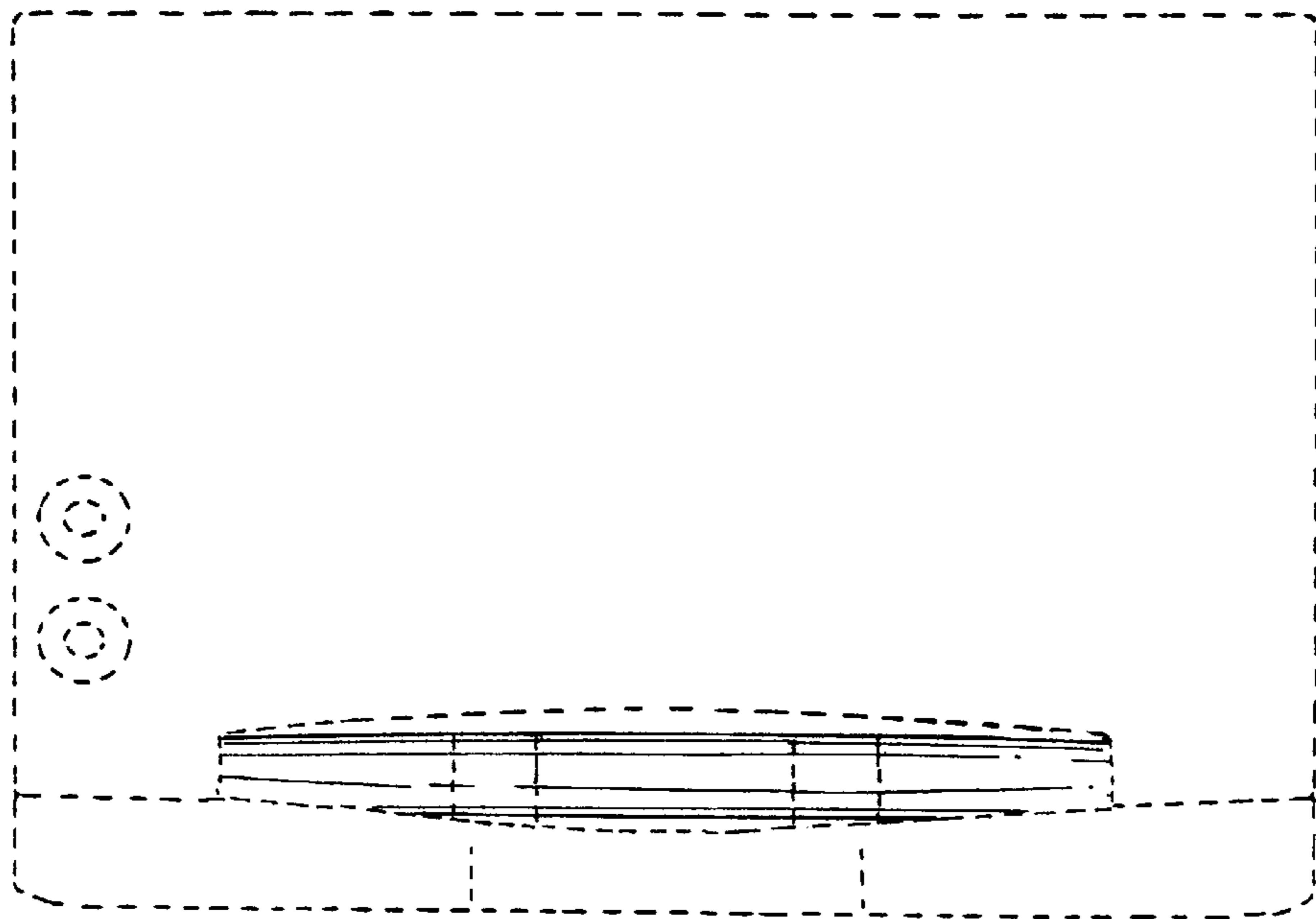


FIG. 7

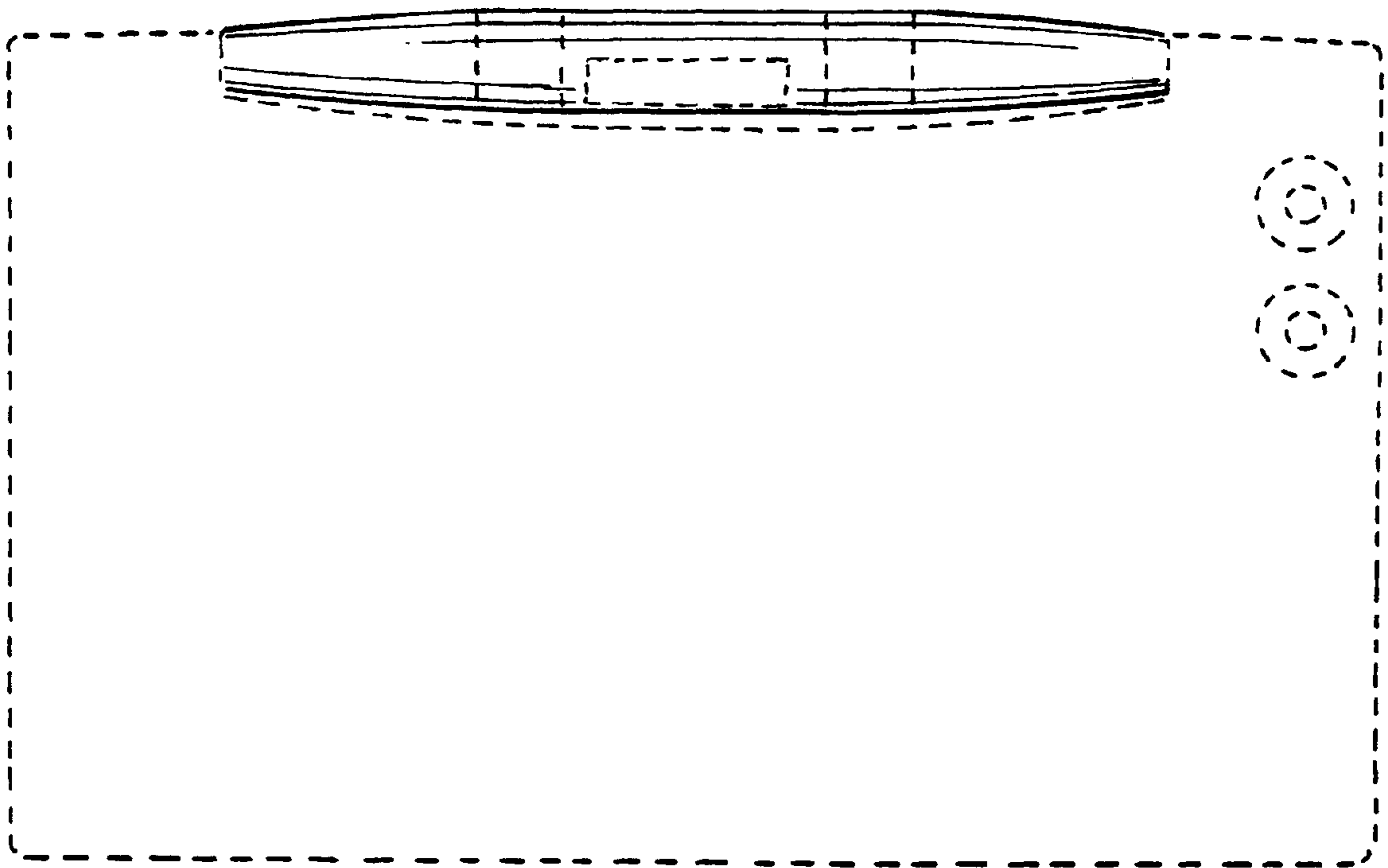


FIG. 8