



US00D435044S

United States Patent [19]

Oviatt et al.

[11] Patent Number: **Des. 435,044**

[45] Date of Patent: **** Dec. 12, 2000**

[54] **COMPUTER NETWORK APPLIANCE**

D. 418,822 1/2000 Worley et al. D14/356

[75] Inventors: **David G. Oviatt**, Salt Lake City; **Gary A. Barbour**, Park City; **Reed Anderson**, Salt Lake City, all of Utah

Primary Examiner—Freda Nunn
Attorney, Agent, or Firm—Morriss, Bateman, O’Bryant & Compagni

[73] Assignee: **Phobos Corporation**, Salt Lake City, Utah

[57] **CLAIM**

The ornamental design for a computer network appliance, as shown and described.

[**] Term: **14 Years**

DESCRIPTION

[21] Appl. No.: **29/120,574**

FIG. 1 is a front view of a computer network appliance; FIG. 2 is a front, upper right perspective view of the computer network appliance; FIG. 3 is a front, upper left perspective view of the computer network appliance; FIG. 4 is a top view of the computer network appliance; FIG. 5 is a right side view of the computer network appliance; FIG. 6 is a rear, upper right perspective view of the computer network appliance; FIG. 7 is a rear, lower right perspective view of the computer network appliance; and, FIG. 8 is a bottom view of the computer network appliance.

[22] Filed: **Mar. 21, 2000**

[51] **LOC (7) Cl.** **14-02**

[52] **U.S. Cl.** **D14/356**

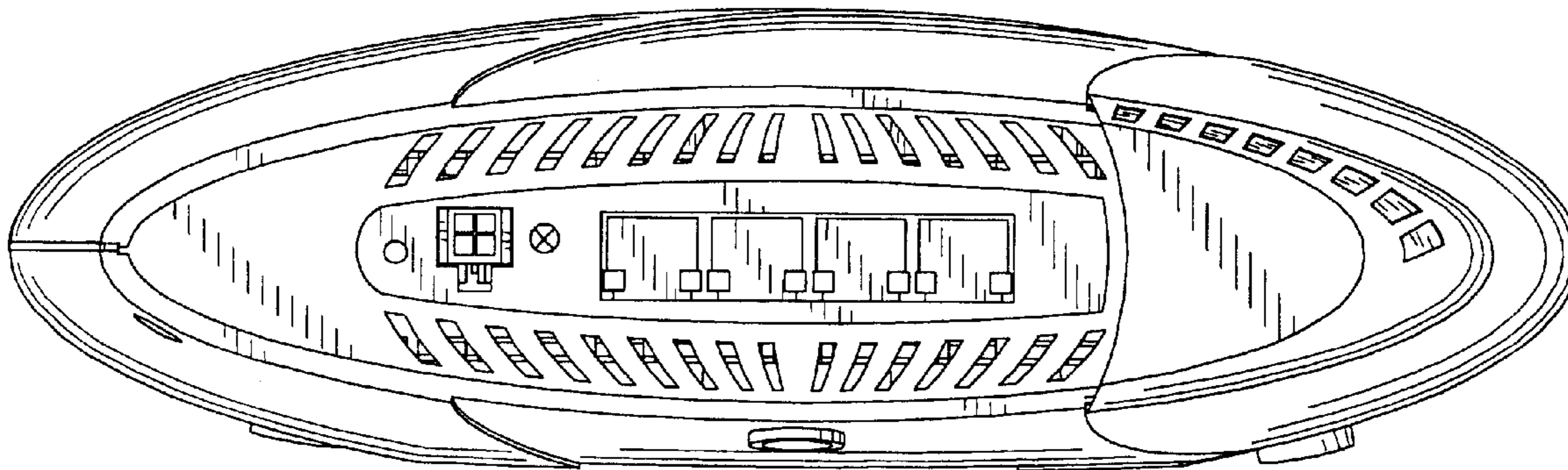
[58] **Field of Search** D14/348, 356, D14/363, 365; D13/162, 184, 199; 312/223.2; 360/99.12; 361/680, 686

[56] **References Cited**

U.S. PATENT DOCUMENTS

- D. 309,728 8/1990 Nuttall et al. D14/356
- D. 380,199 6/1997 Beruscha et al. D13/184
- D. 386,153 11/1997 Crump et al. D14/365
- D. 418,487 1/2000 Gallahan et al. D14/356

1 Claim, 5 Drawing Sheets



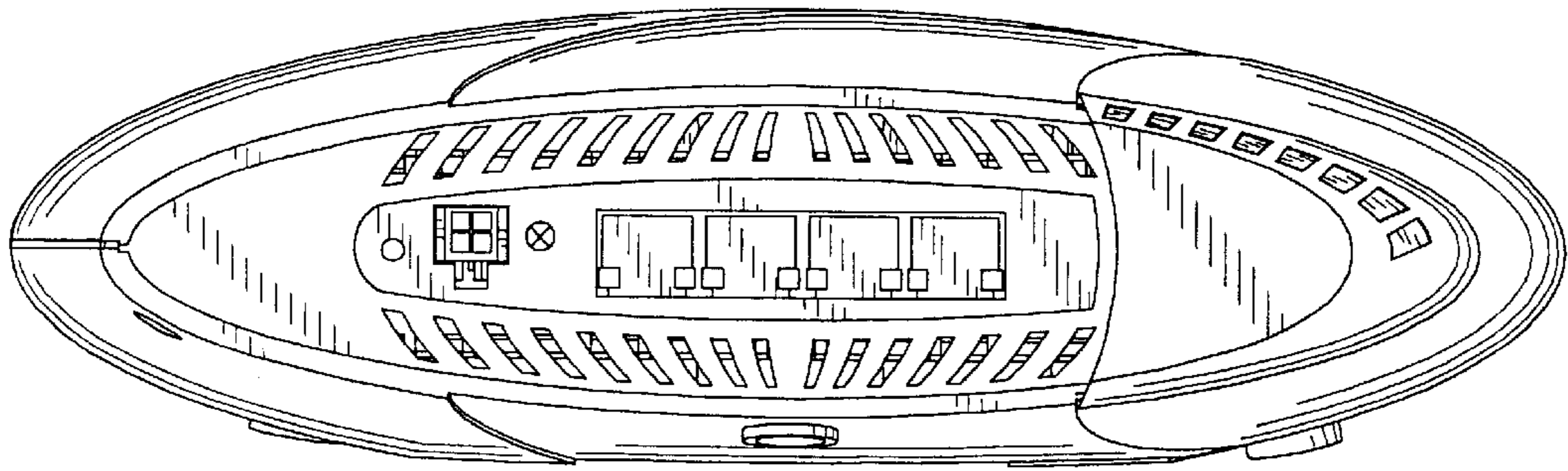


Fig. 1

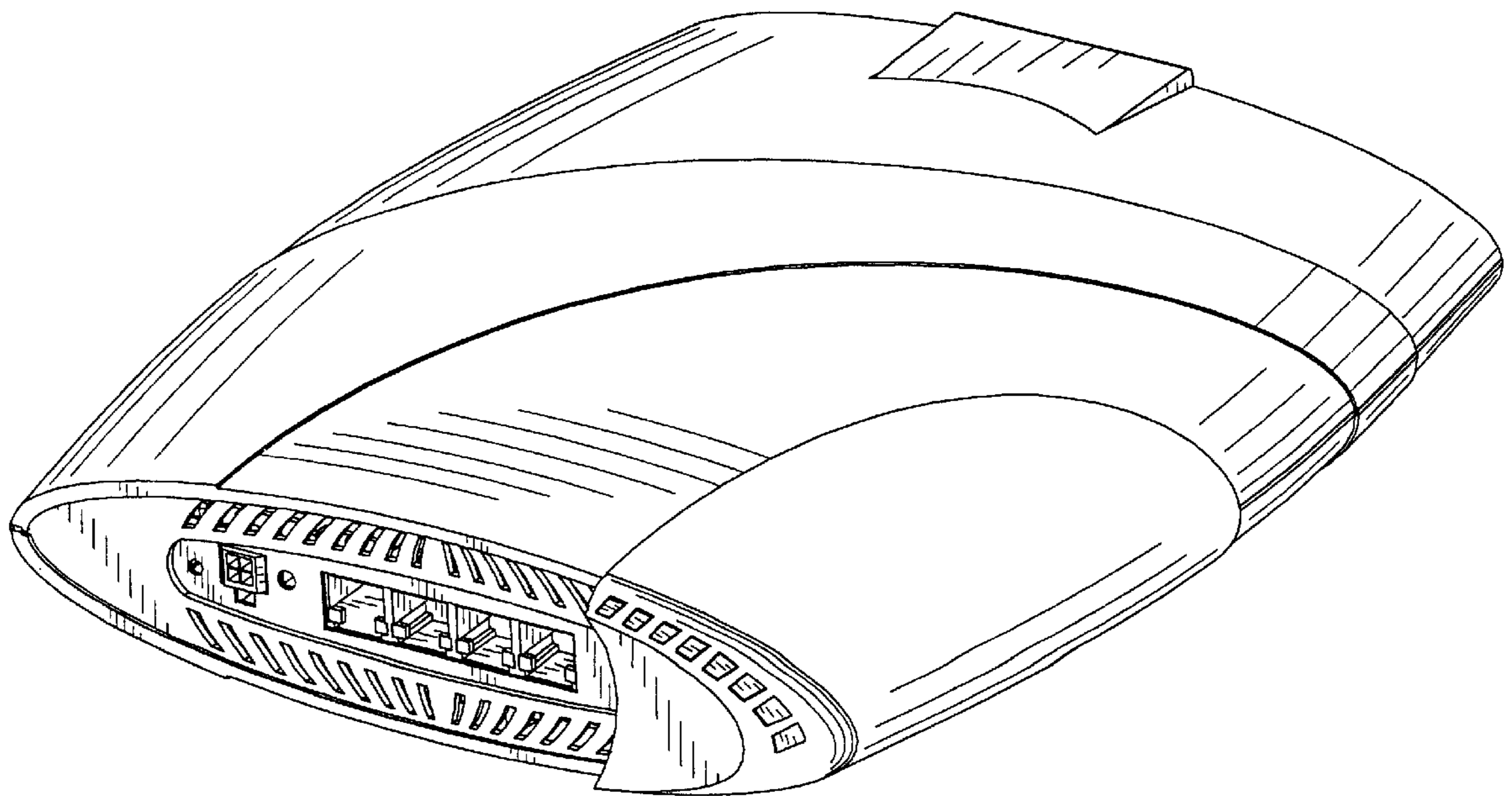


Fig. 2

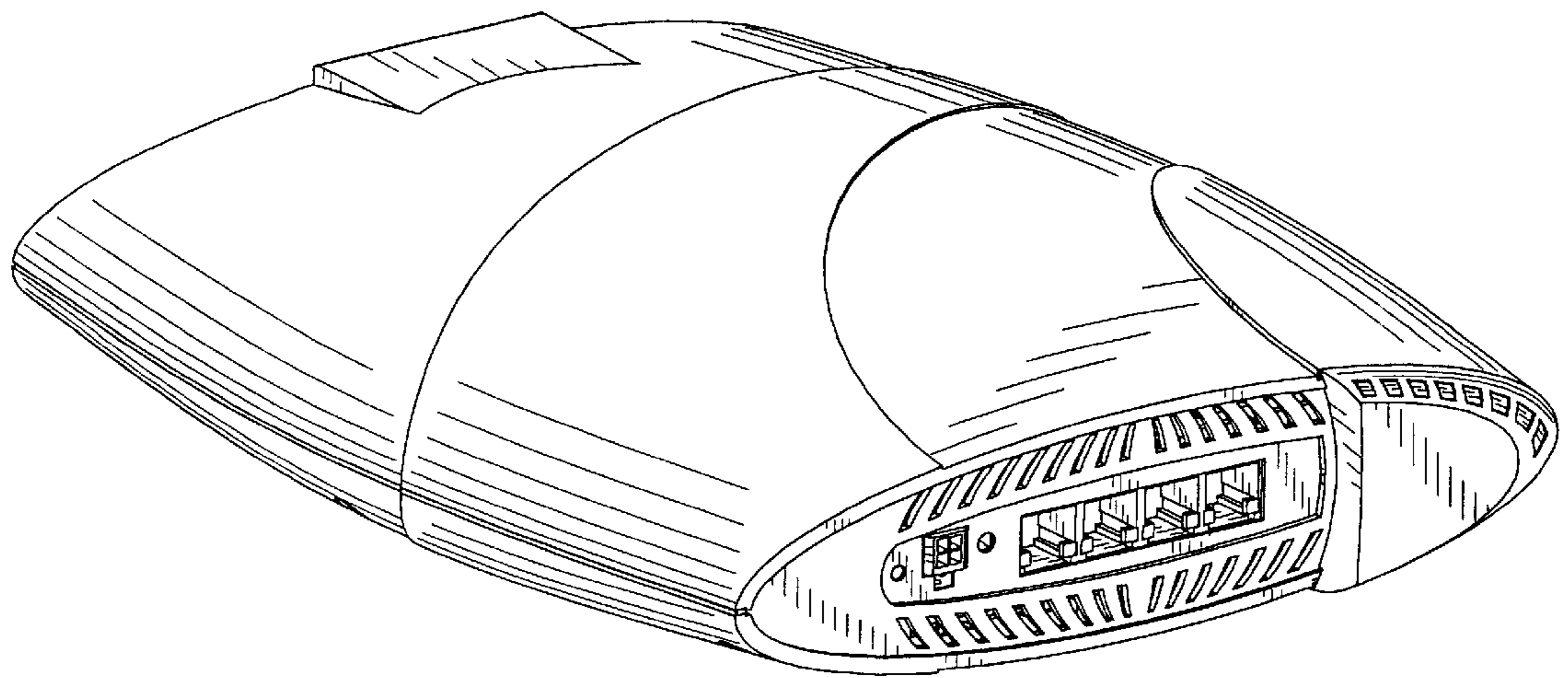


Fig. 3

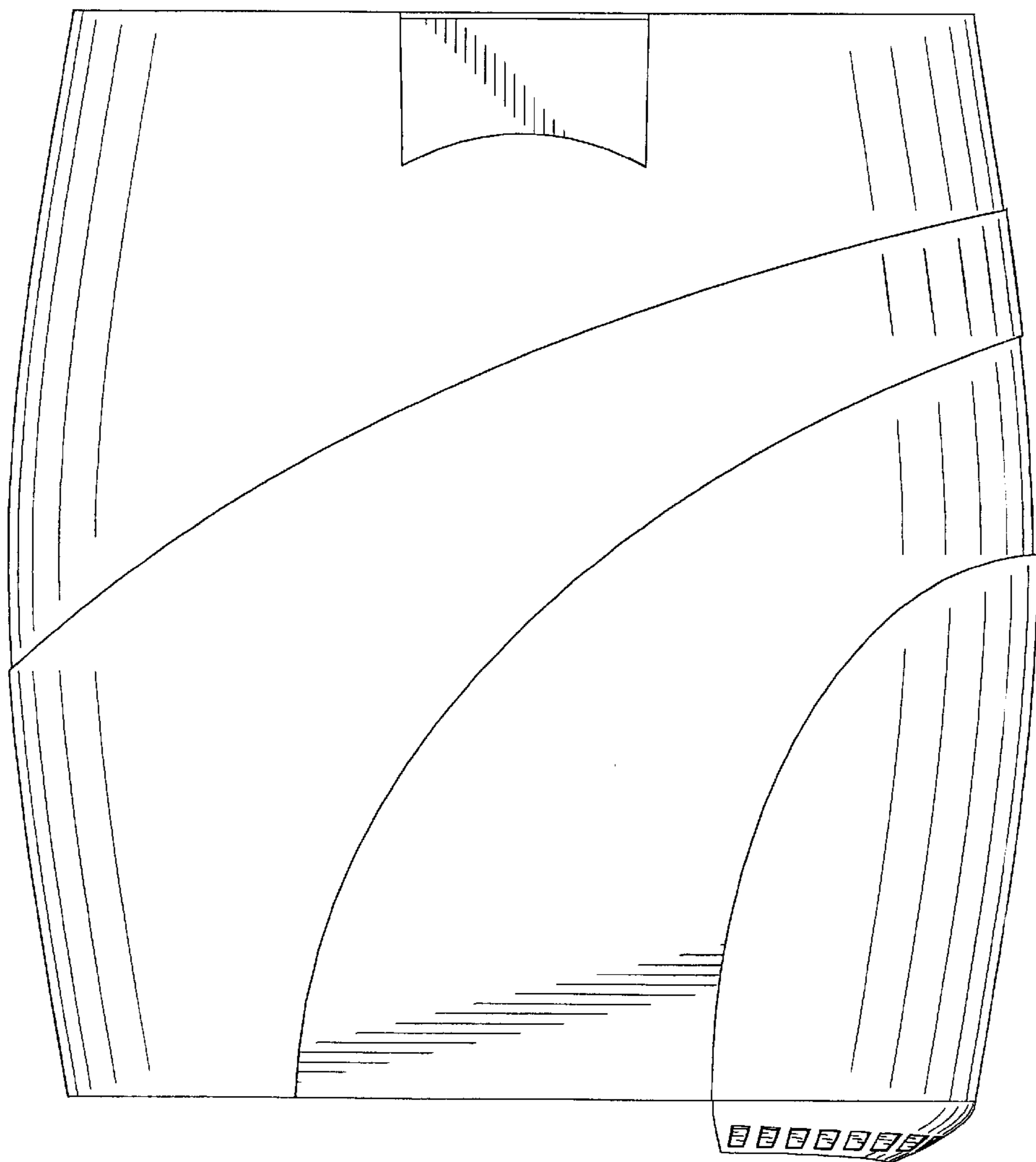


Fig. 4

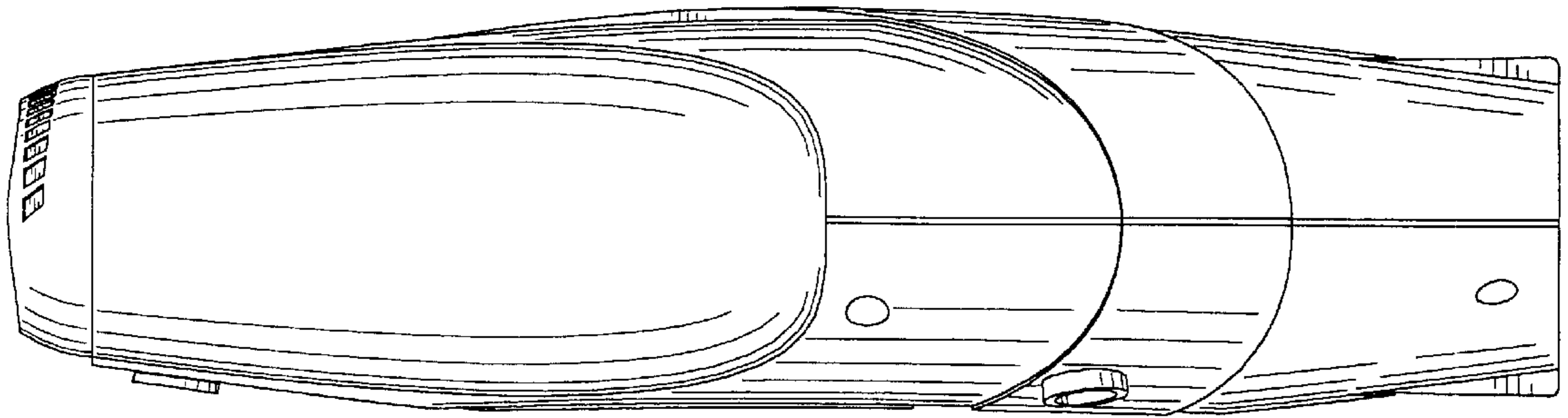


Fig. 5

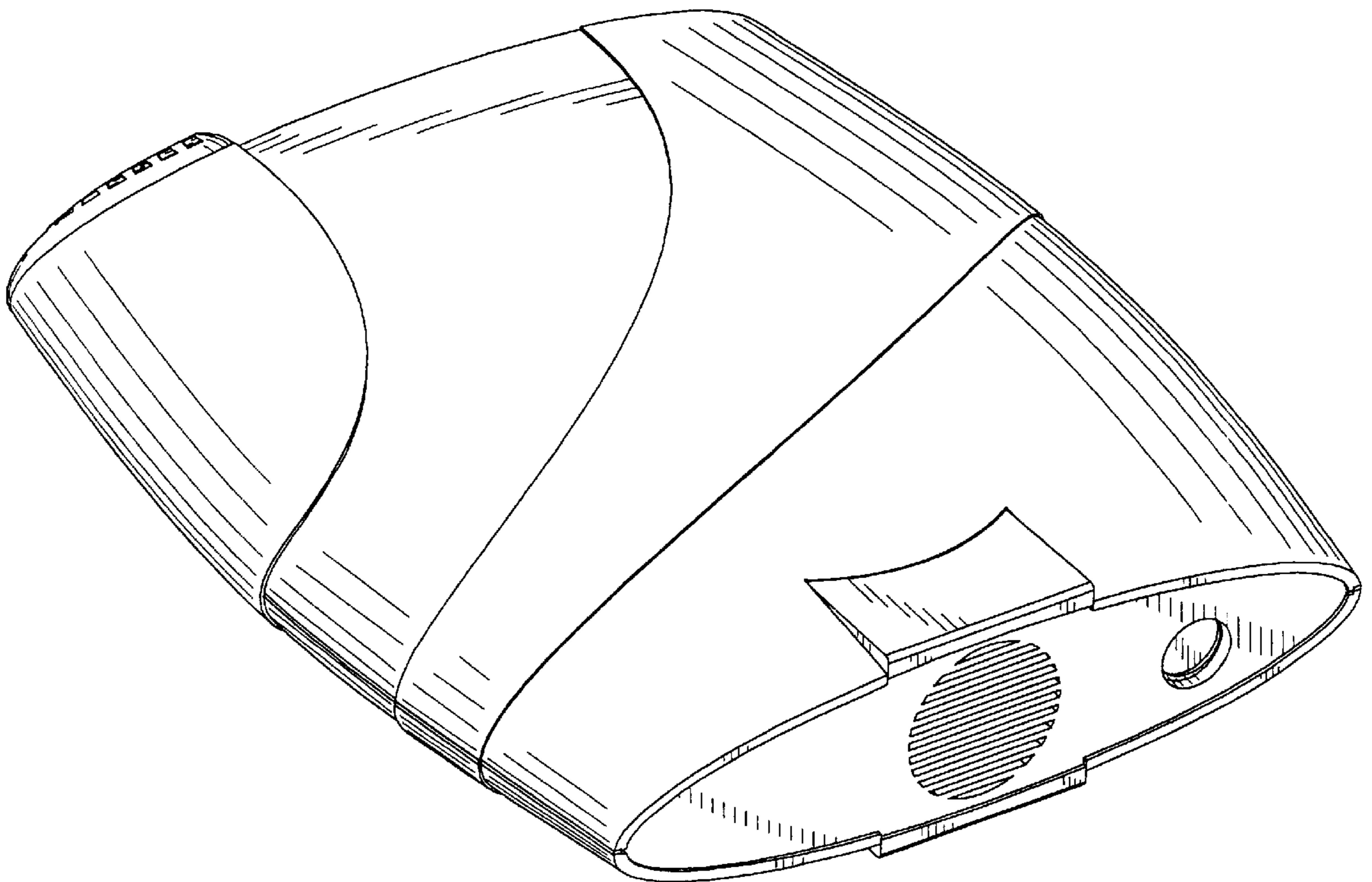


Fig. 6

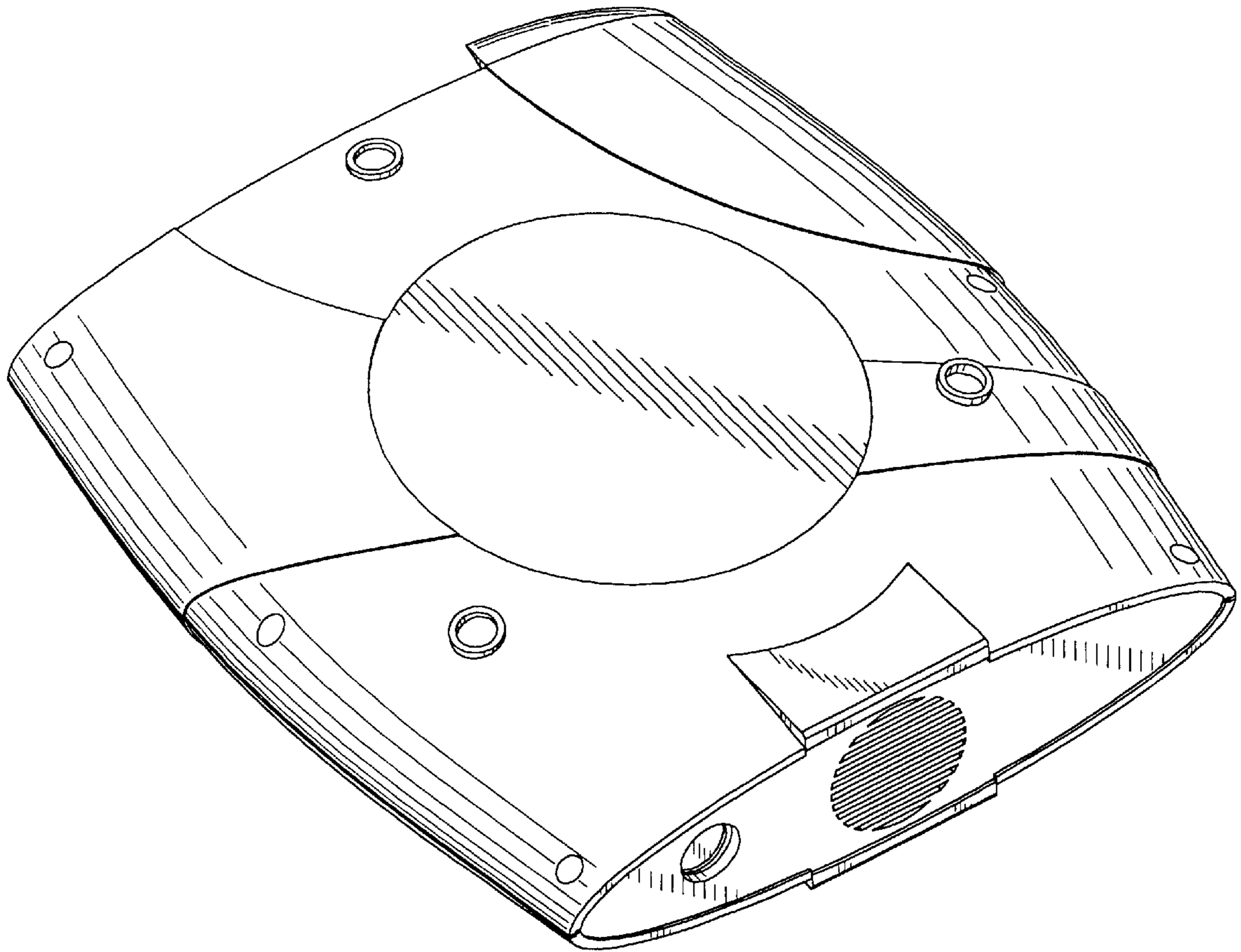


Fig. 7

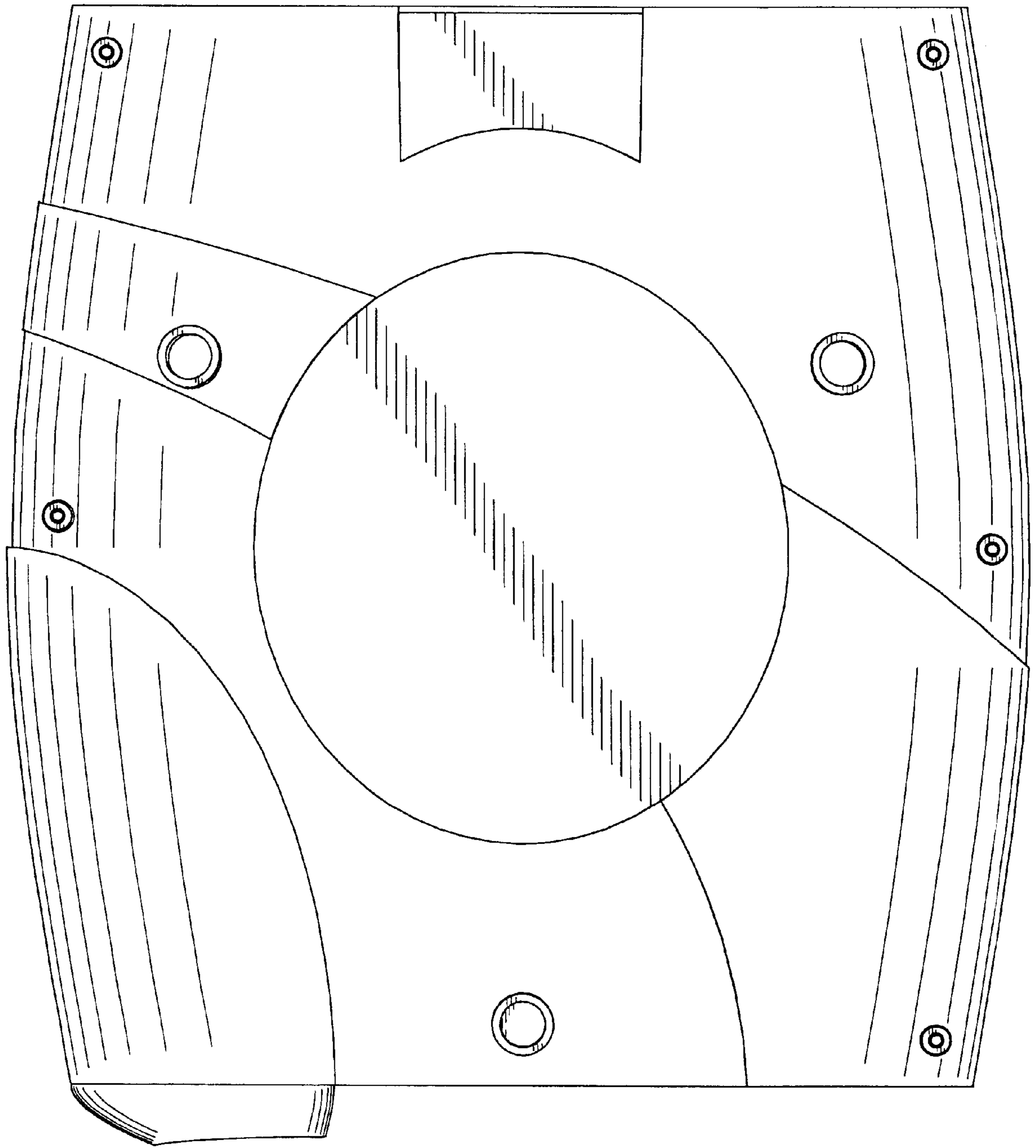


Fig. 8