



US00D435043S

United States Patent [19]
Hines

[11] **Patent Number: Des. 435,043**

[45] **Date of Patent: ** Dec. 12, 2000**

[54] **IMAGE DISPLAY HOUSING**

[76] Inventor: **Stephen P. Hines**, 4525-B San Fernando Rd., Glendale, Calif. 91204

[**] Term: **14 Years**

[21] Appl. No.: **29/111,672**

[22] Filed: **Oct. 1, 1999**

[51] **LOC (7) Cl.** **14-02**

[52] **U.S. Cl.** **D14/304**

[58] **Field of Search** D14/130, 146, D14/304, 240; D20/10, 1; D99/28; 271/278; D6/397; 194/205; 221/12; 700/232

[56] **References Cited**

U.S. PATENT DOCUMENTS

D. 236,986	9/1975	Schierholz	D14/304
D. 331,055	11/1992	Massey et al.	D14/130 X
D. 334,029	3/1993	Reising	D20/1
D. 402,782	12/1998	Johnson	D99/28
5,875,110	2/1999	Jacobs	700/232

Primary Examiner—Freda Nunn

Attorney, Agent, or Firm—John E. Wagner

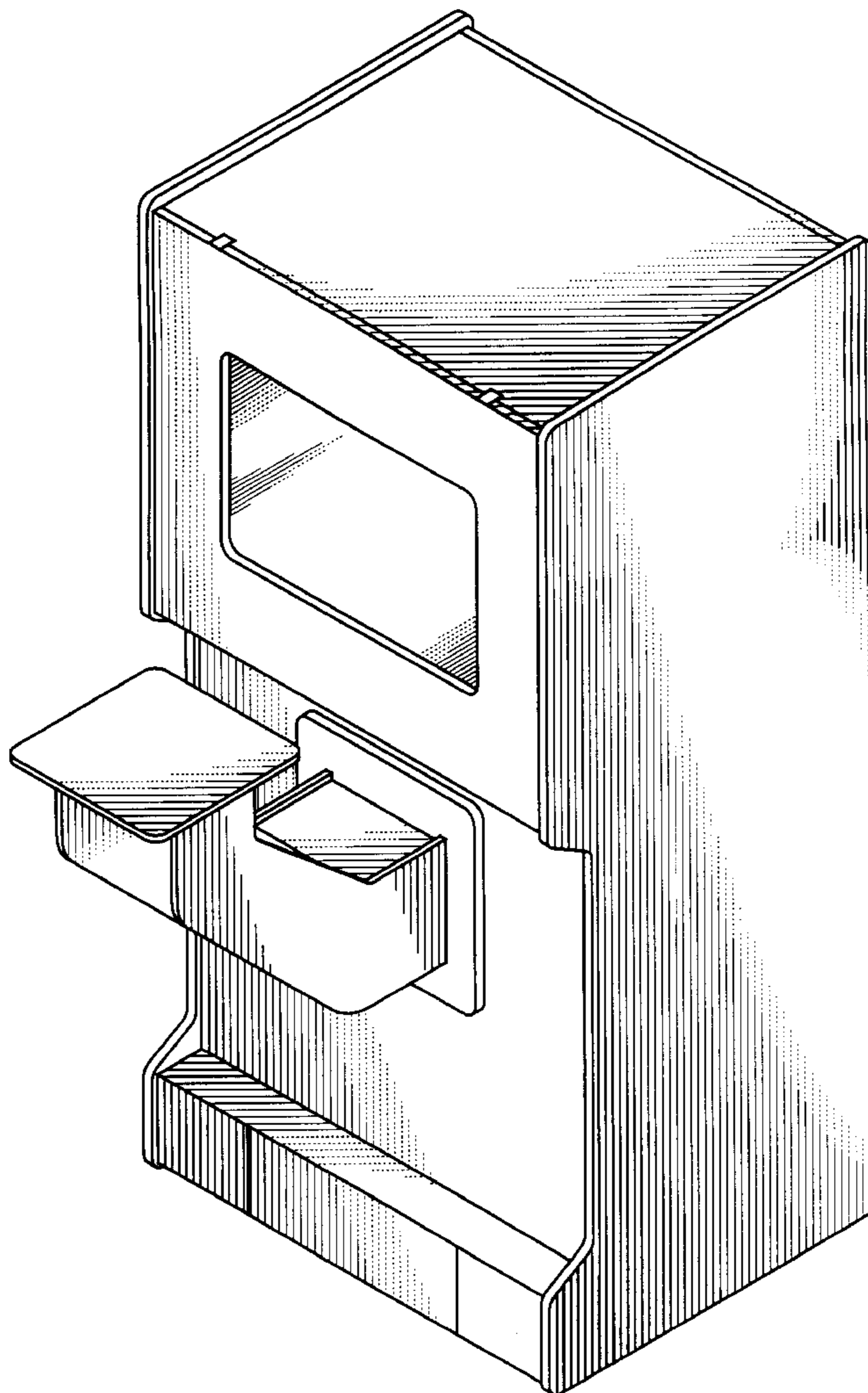
[57] **CLAIM**

The ornamental design for an image display housing, as shown and described.

DESCRIPTION

FIG. 1 is a perspective view of an image display housing of this invention;
 FIG. 2 is a front elevational view thereof;
 FIG. 3 is a left side elevational view thereof, the right side being a mirror image thereof;
 FIG. 4 is a top plan view thereof; and
 FIG. 5 is a rear elevational view thereof.
 FIG. 6 is a front elevational view of an alternate embodiment of this invention;
 FIG. 7 is a left side elevational view of the alternate embodiment of FIG. 6, the right side being a mirror image thereof;
 FIG. 8 is a rear elevational view of an alternate embodiment thereof; and,
 FIG. 9 is a top plan view of an alternate embodiment the bottoms of both embodiments are unornamented.

1 Claim, 3 Drawing Sheets



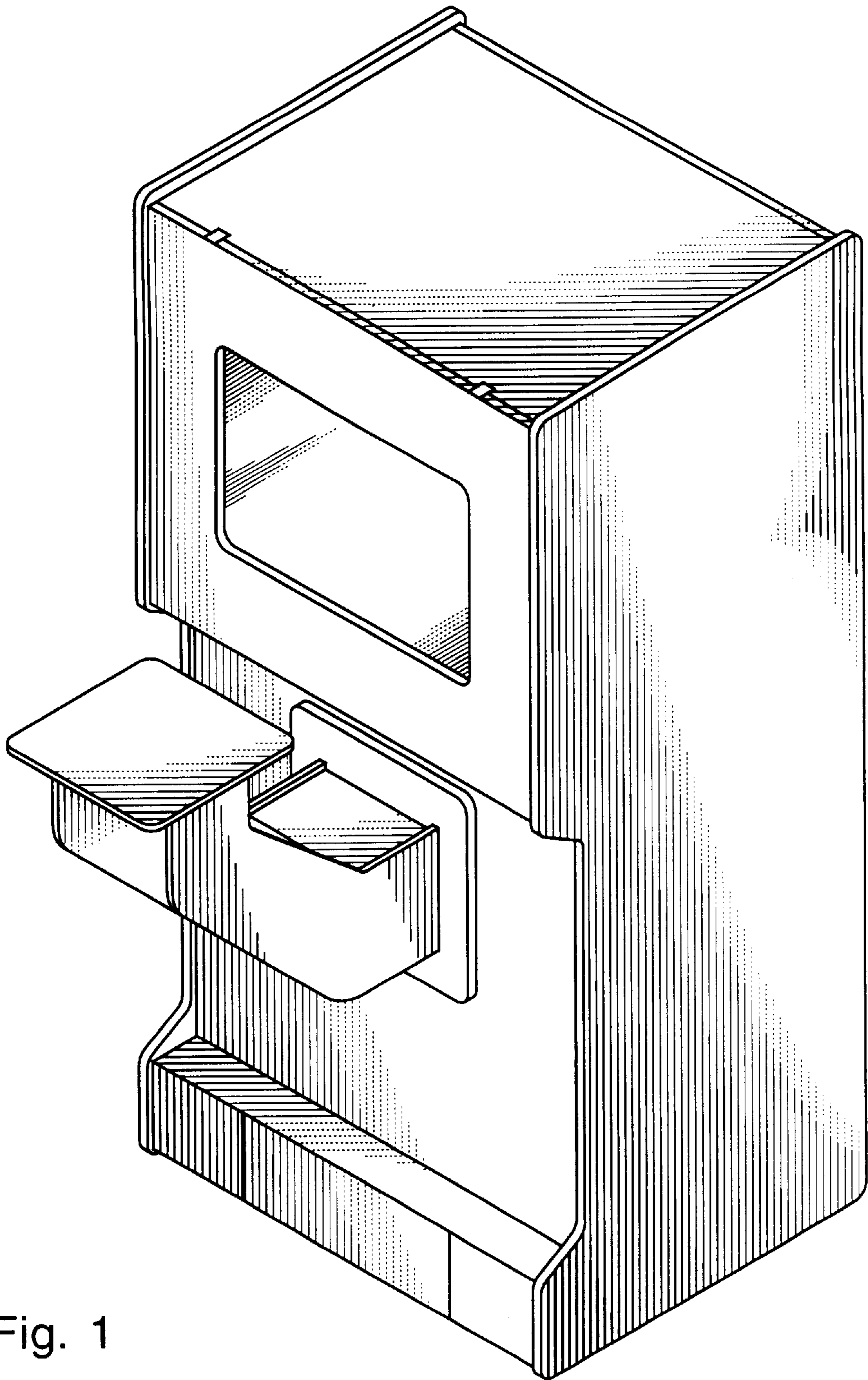


Fig. 1

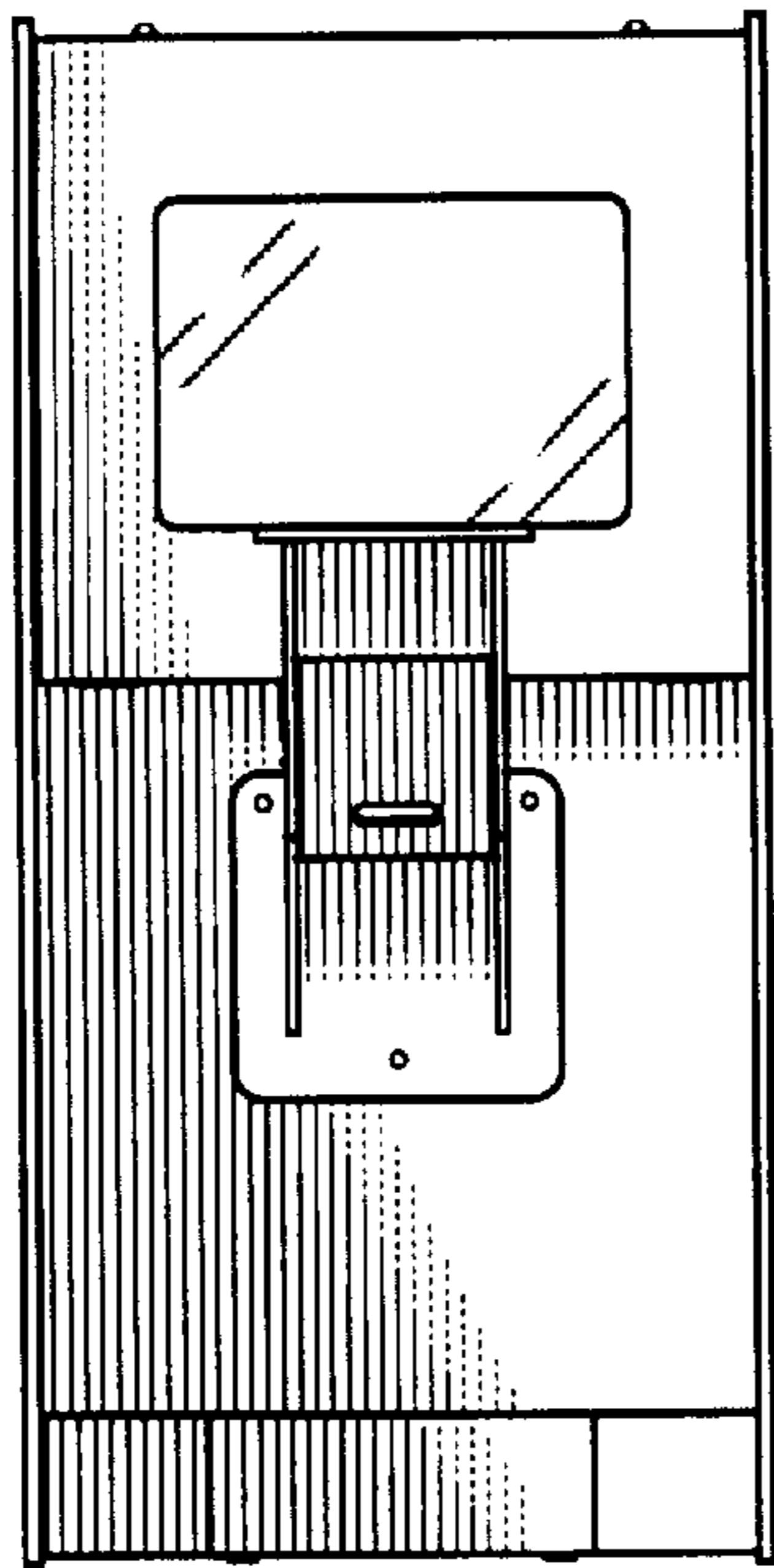


Fig. 2

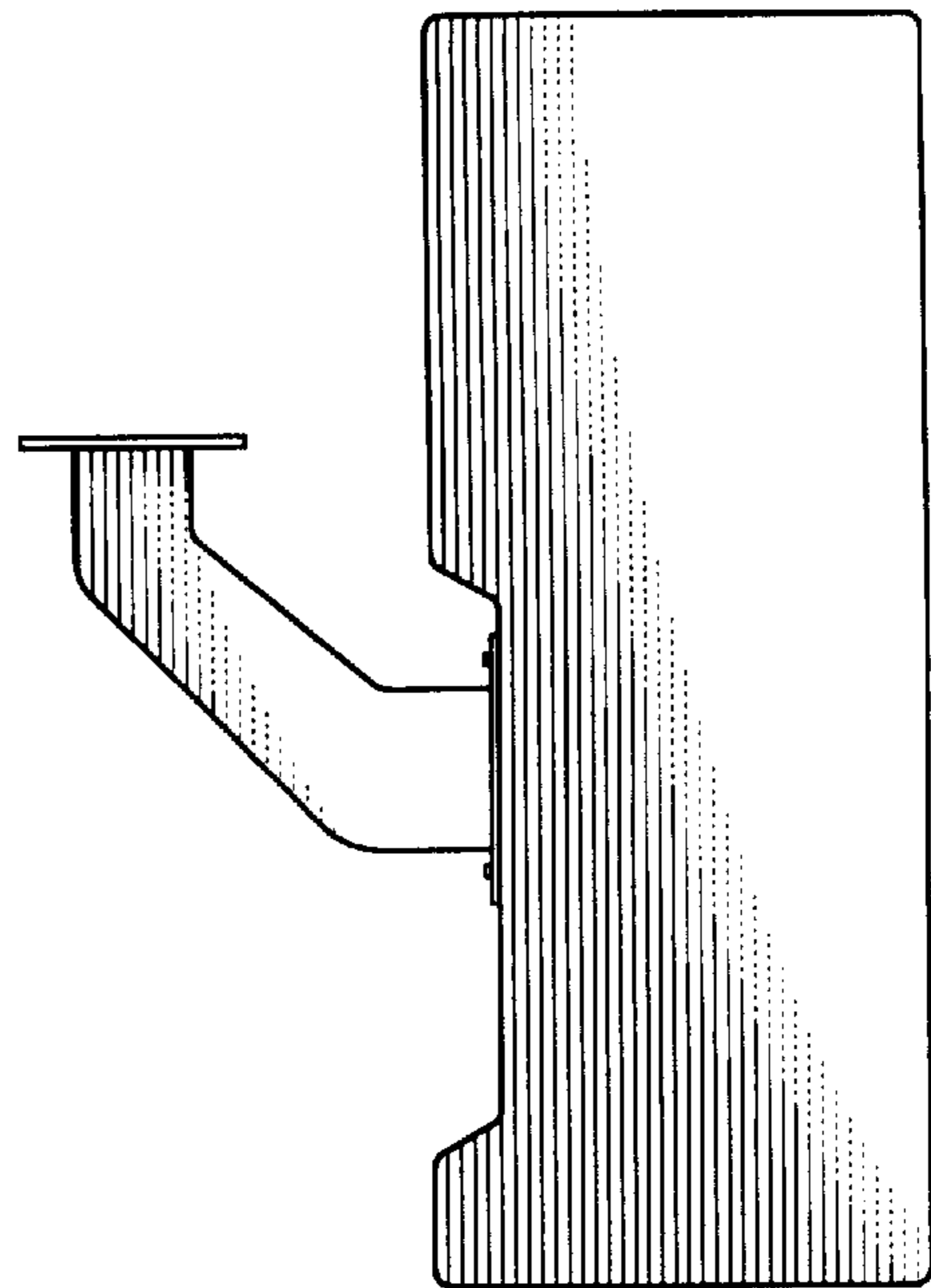


Fig. 3

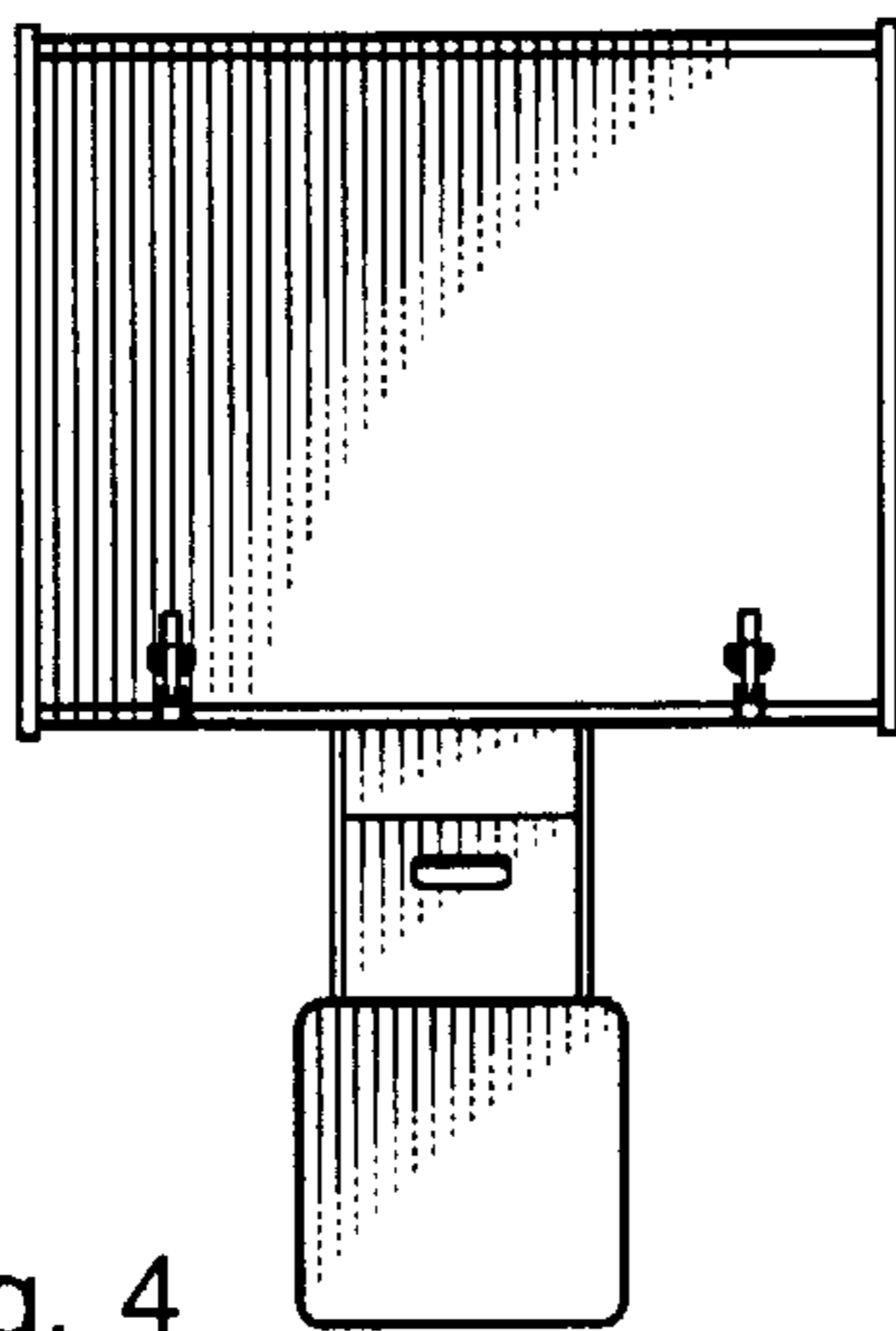


Fig. 4

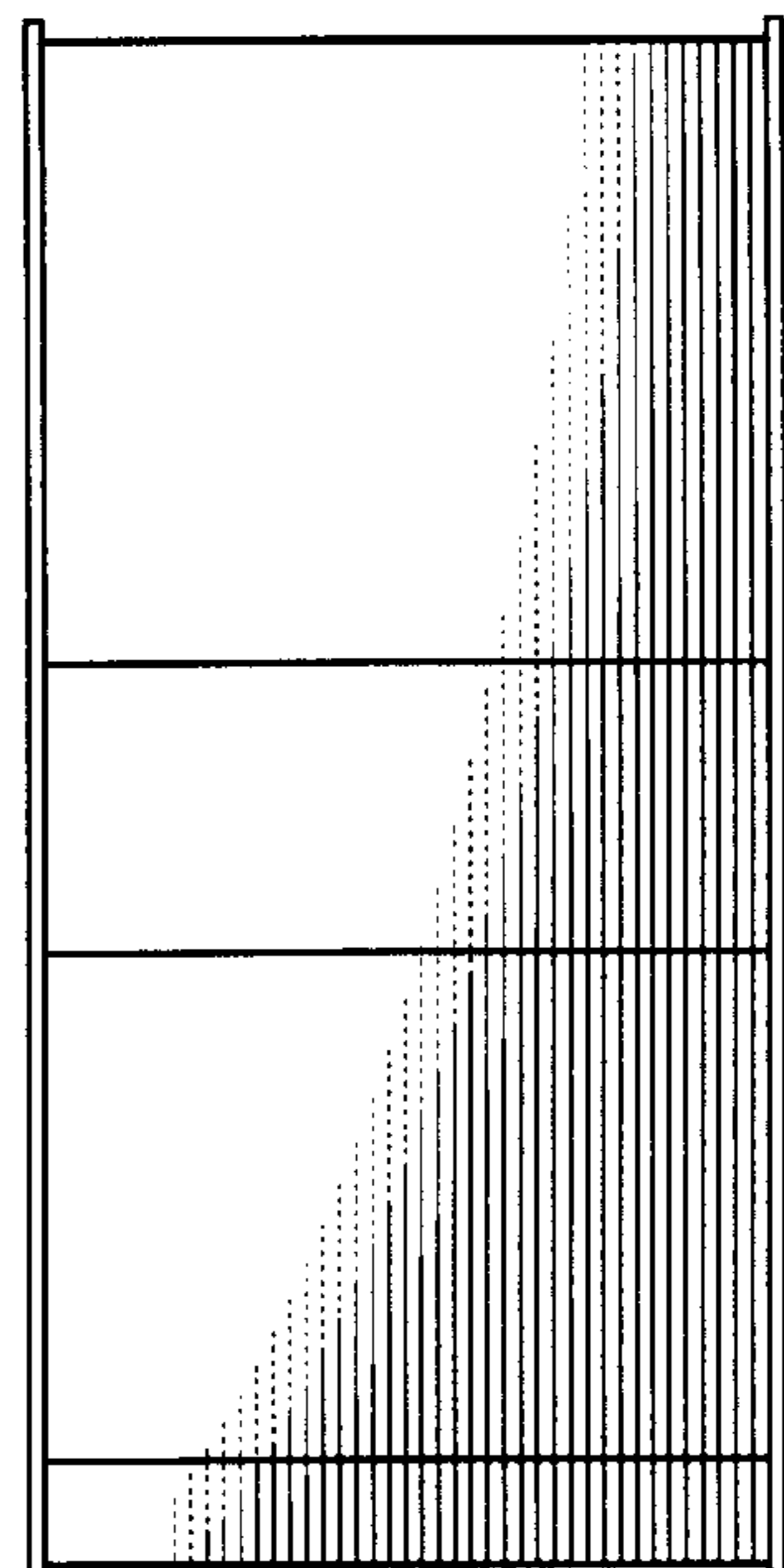


Fig. 5

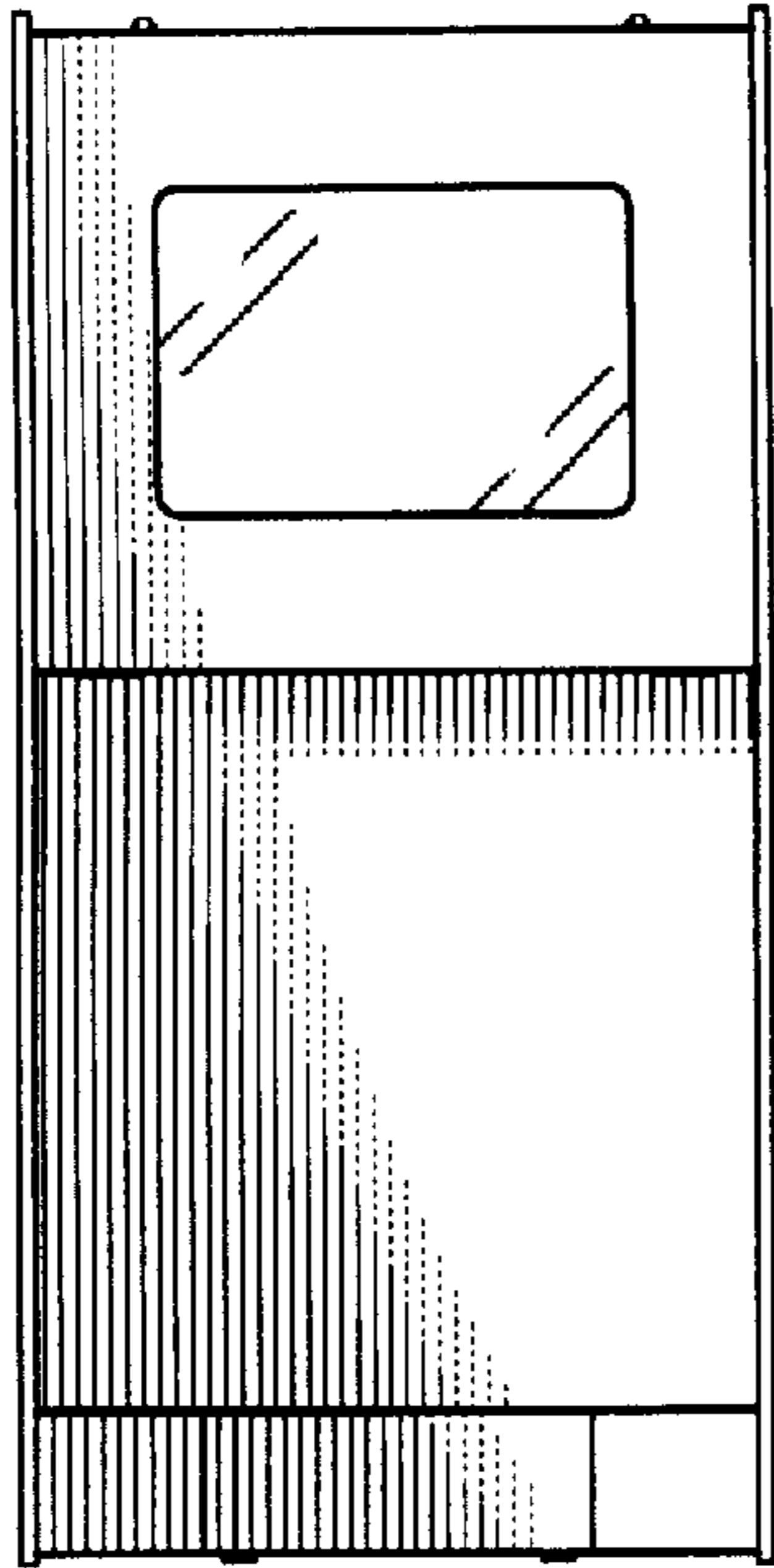


Fig. 6

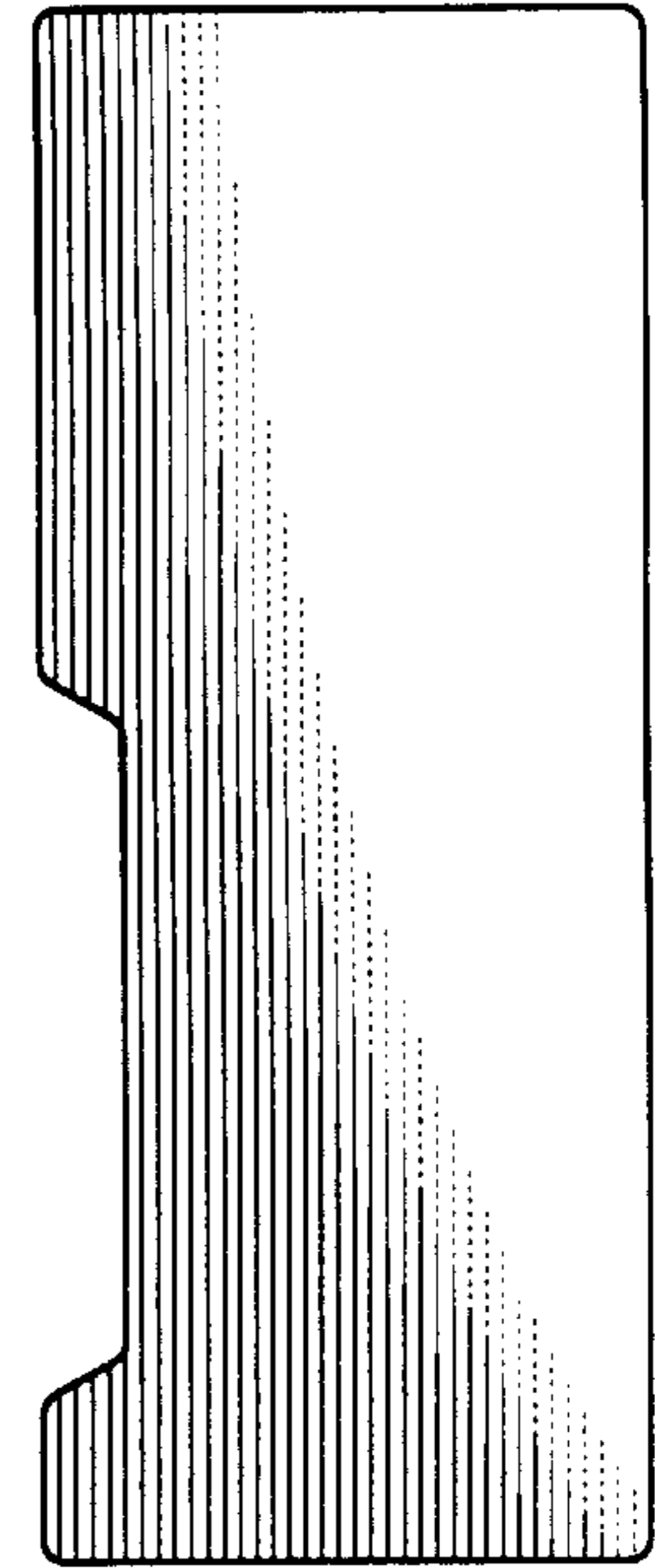


Fig. 7

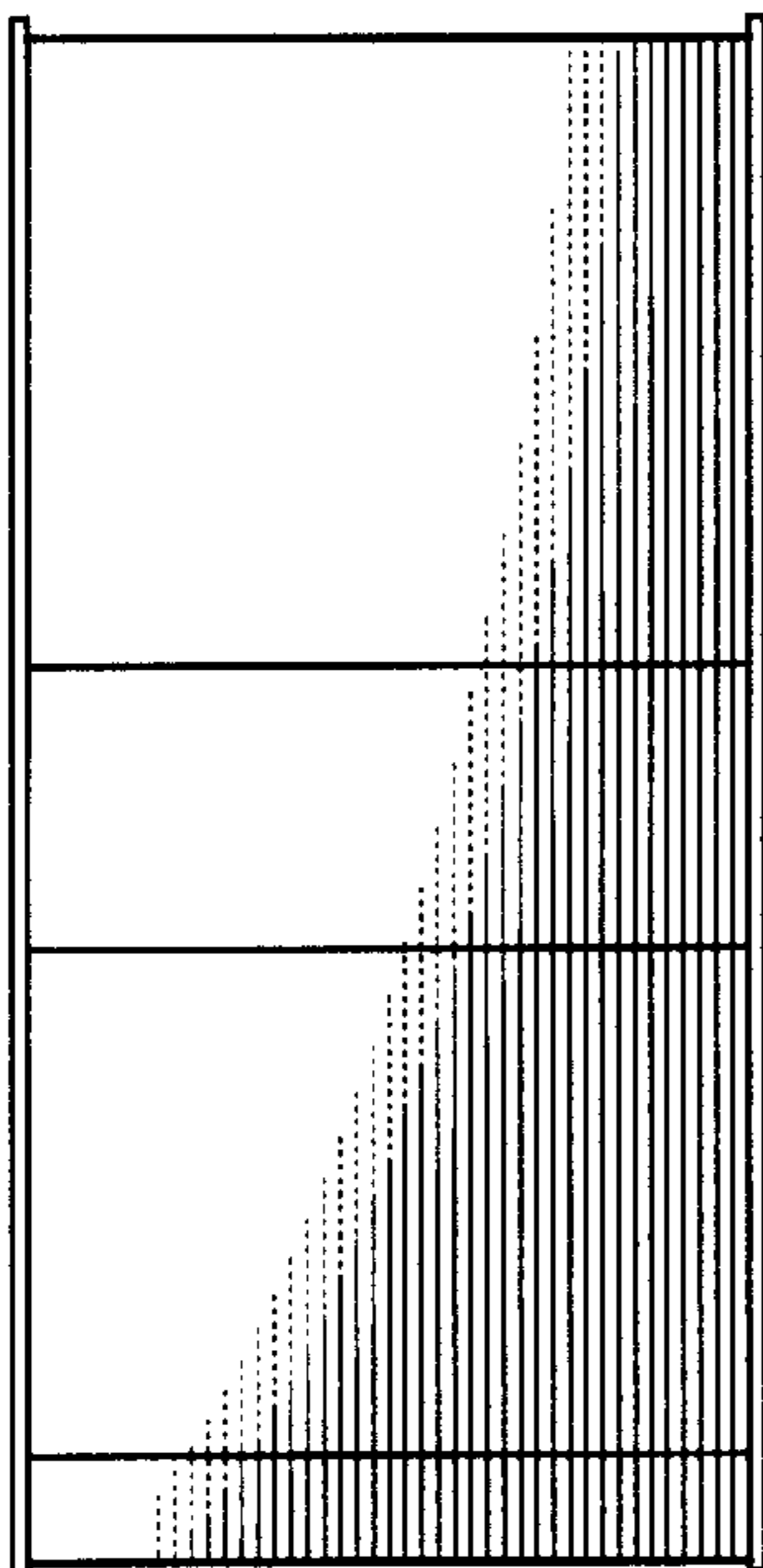


Fig. 8

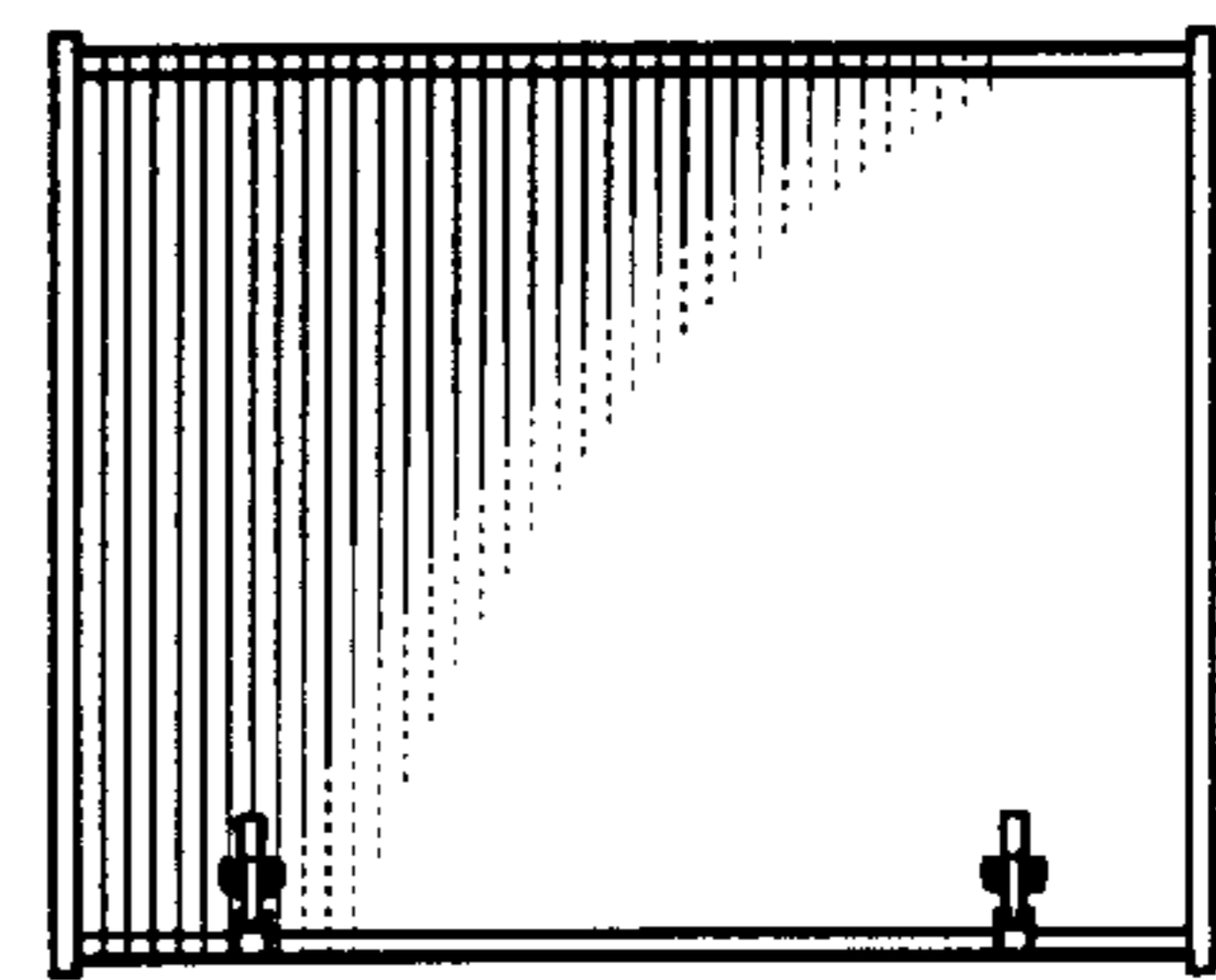


Fig. 9