



US00D435042S

United States Patent [19] Sun

[11] **Patent Number: Des. 435,042**

[45] **Date of Patent: ** Dec. 12, 2000**

[54] **DESKTOP CRADLE**

[75] Inventor: **Yeo Chung Sun**, Singapore, Singapore

[73] Assignee: **Telefonaktiebolaget LM Ericsson**,
Stockholm, Sweden

[**] Term: **14 Years**

[21] Appl. No.: **29/122,343**

[22] Filed: **Apr. 25, 2000**

Related U.S. Application Data

[62] Division of application No. 29/105,575, May 26, 1999.

[30] Foreign Application Priority Data

Nov. 26, 1998 [SE] Sweden 98-2336

[51] **LOC (7) Cl.** **14-03**

[52] **U.S. Cl.** **D14/253**

[58] **Field of Search** D14/137, 138,
D14/146, 148, 147, 149-151, 140-142,
240, 241; 379/433-436, 419, 420, 428,
440, 454, 455, 446, 447; D13/107, 108;
320/110, 113, 114, 115

[56] References Cited

U.S. PATENT DOCUMENTS

D. 279,185 6/1985 Felix et al. .
D. 321,855 11/1991 Ross, Jr. .
D. 323,504 1/1992 Langton .
D. 343,841 2/1994 Hon et al. D14/251
D. 362,004 9/1995 Nakano et al. D14/253

D. 363,284 10/1995 Solomita .
D. 365,824 1/1996 Danielson et al. D14/253
D. 374,014 9/1996 Nagele et al. .
D. 377,798 2/1997 Heine .
D. 385,283 10/1997 Snyder et al. D14/253
D. 393,625 4/1998 Riccobon D13/107
D. 400,165 10/1998 Nagele et al. D13/108
D. 408,418 4/1999 Pescetto et al. D14/253
D. 409,170 5/1999 Ota et al. .
D. 410,945 6/1999 Chu .
D. 417,189 11/1999 Amero, Jr. et al. .
D. 421,443 3/2000 Nagele et al. D14/253
4,903,325 2/1990 Yoshitake et al. 455/575
5,189,358 2/1993 Tomura et al. 320/2
5,479,486 12/1995 Saji 455/573
6,014,010 1/2000 Yao .

Primary Examiner—Jeffrey Asch
Attorney, Agent, or Firm—Burns, Doane, Swecker &
Mathis, L.L.P.

[57] CLAIM

The ornamental design for a desktop cradle, as shown and described.

DESCRIPTION

FIG. 1 is a front perspective view of a desktop cradle showing my new design;
FIG. 2 is a rear elevational view thereof;
FIG. 3 is a front elevational view thereof;
FIG. 4 is a top plan view thereof;
FIG. 5 is a bottom plan view thereof;
FIG. 6 is a left side elevational view thereof; and,
FIG. 7 is a right side elevational view thereof.

1 Claim, 3 Drawing Sheets

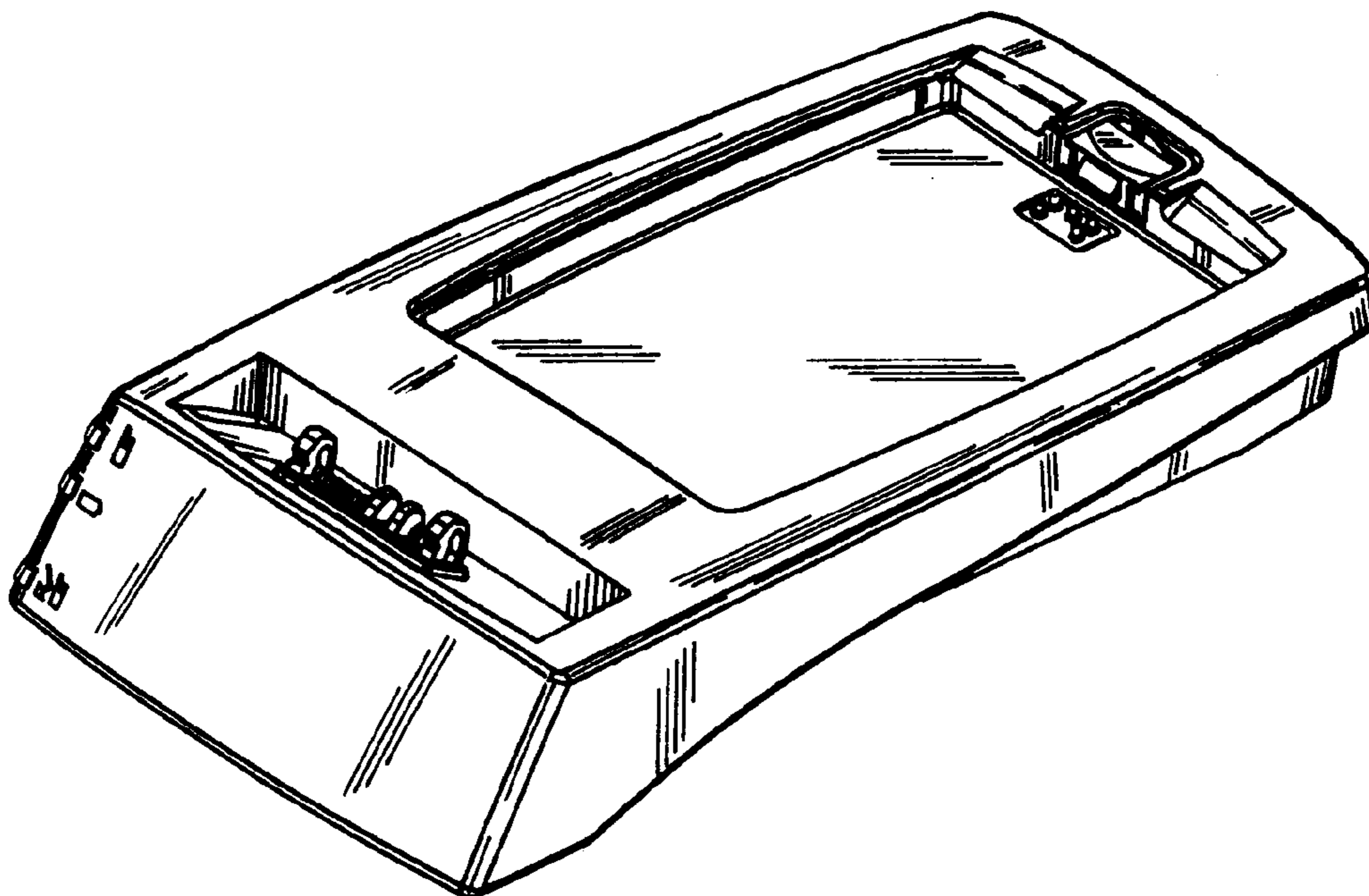


FIG. 1

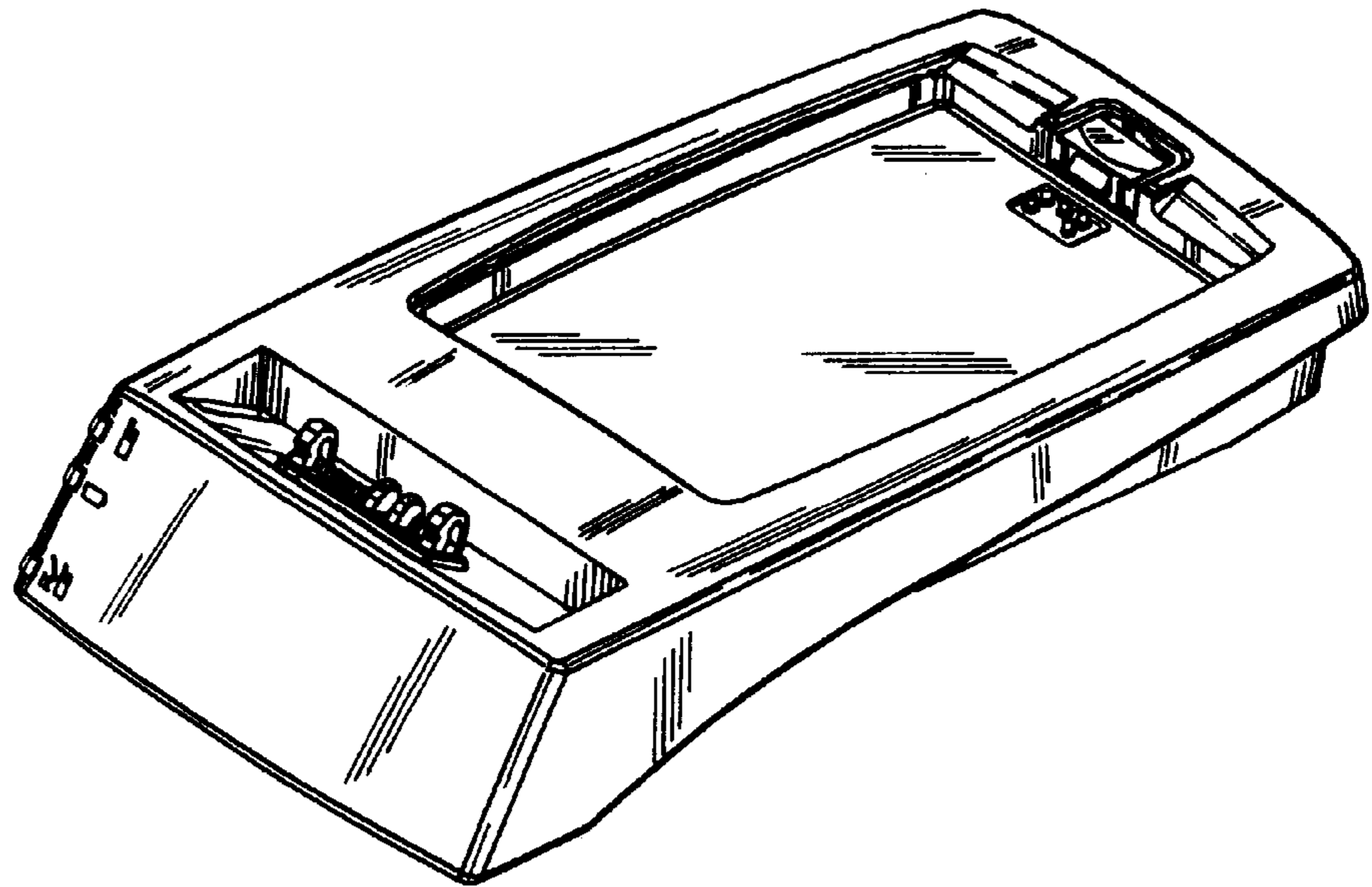


FIG. 2

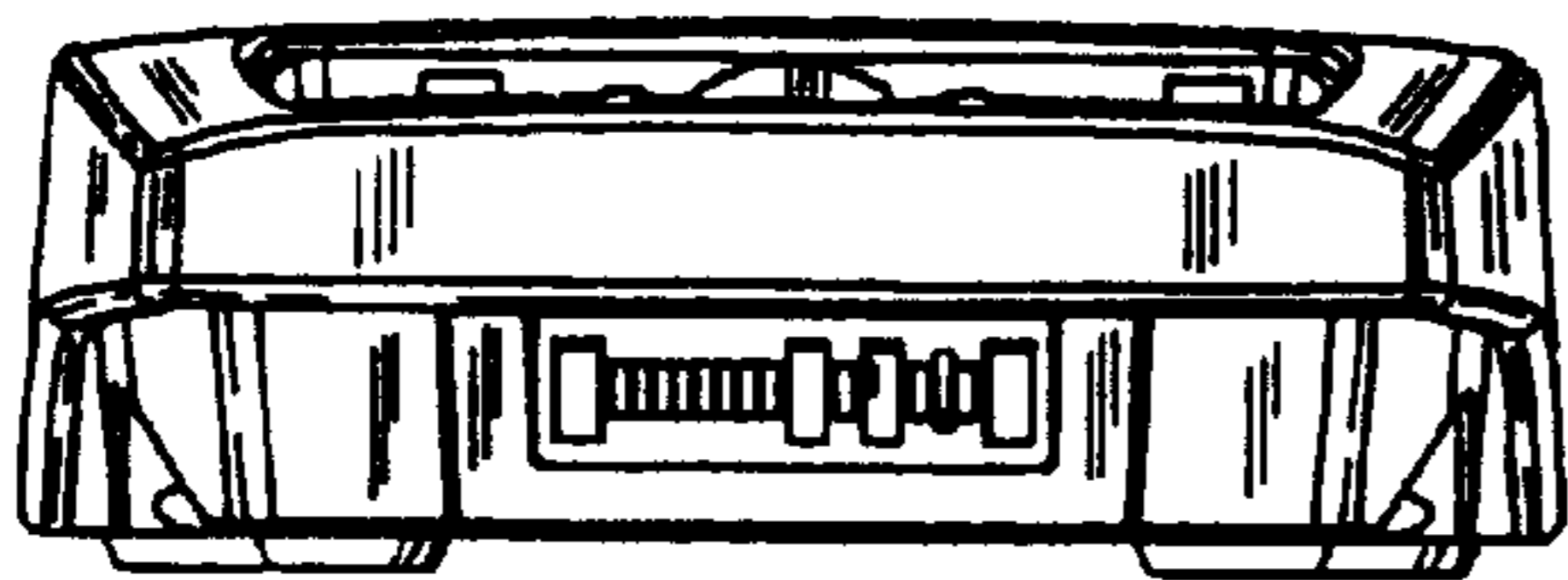
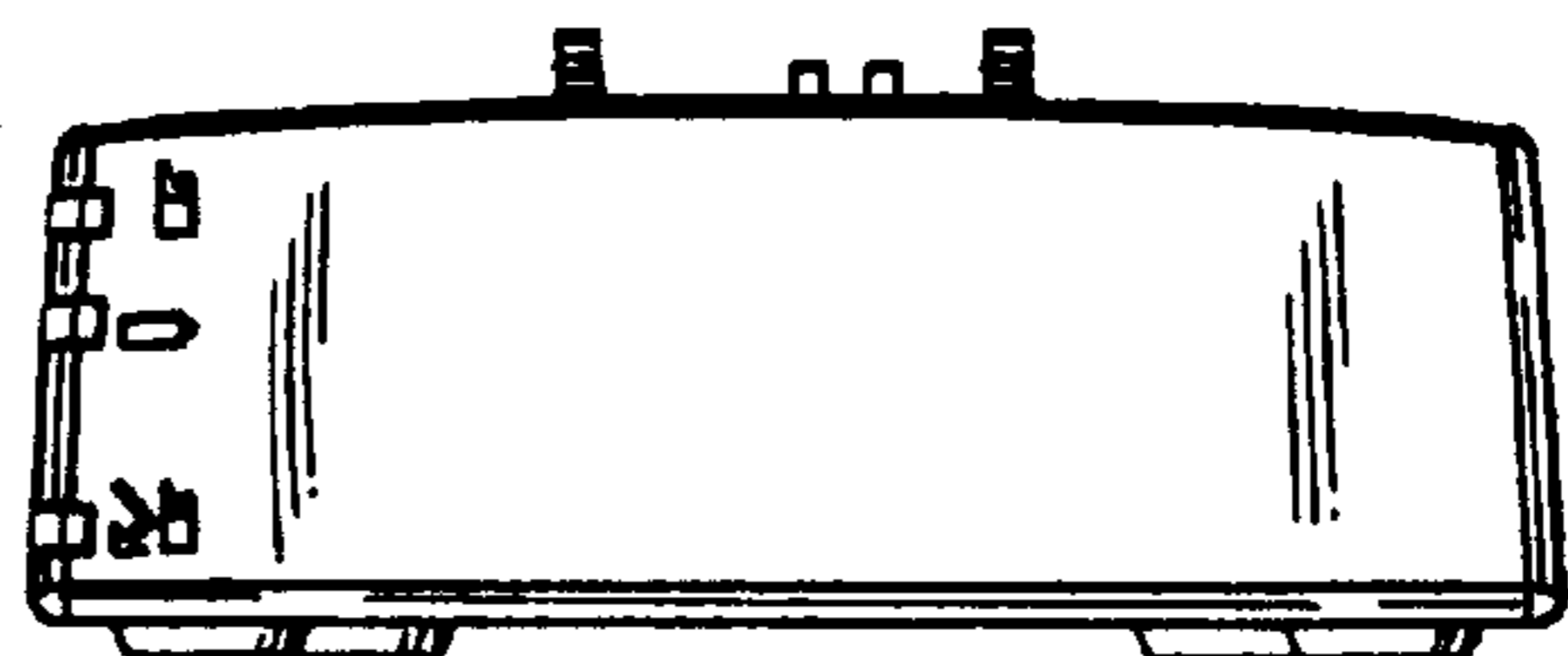


FIG. 3



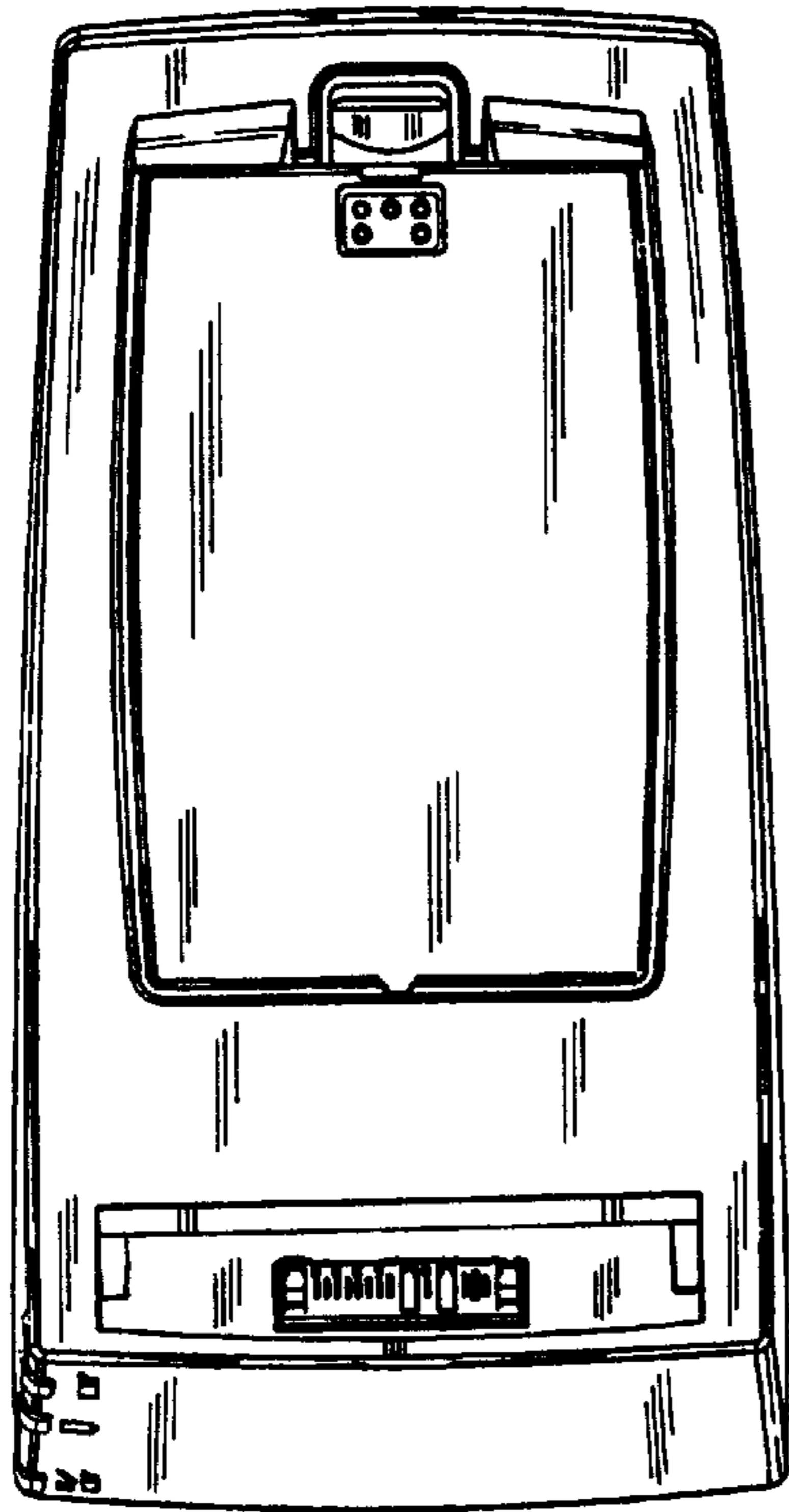


FIG. 4

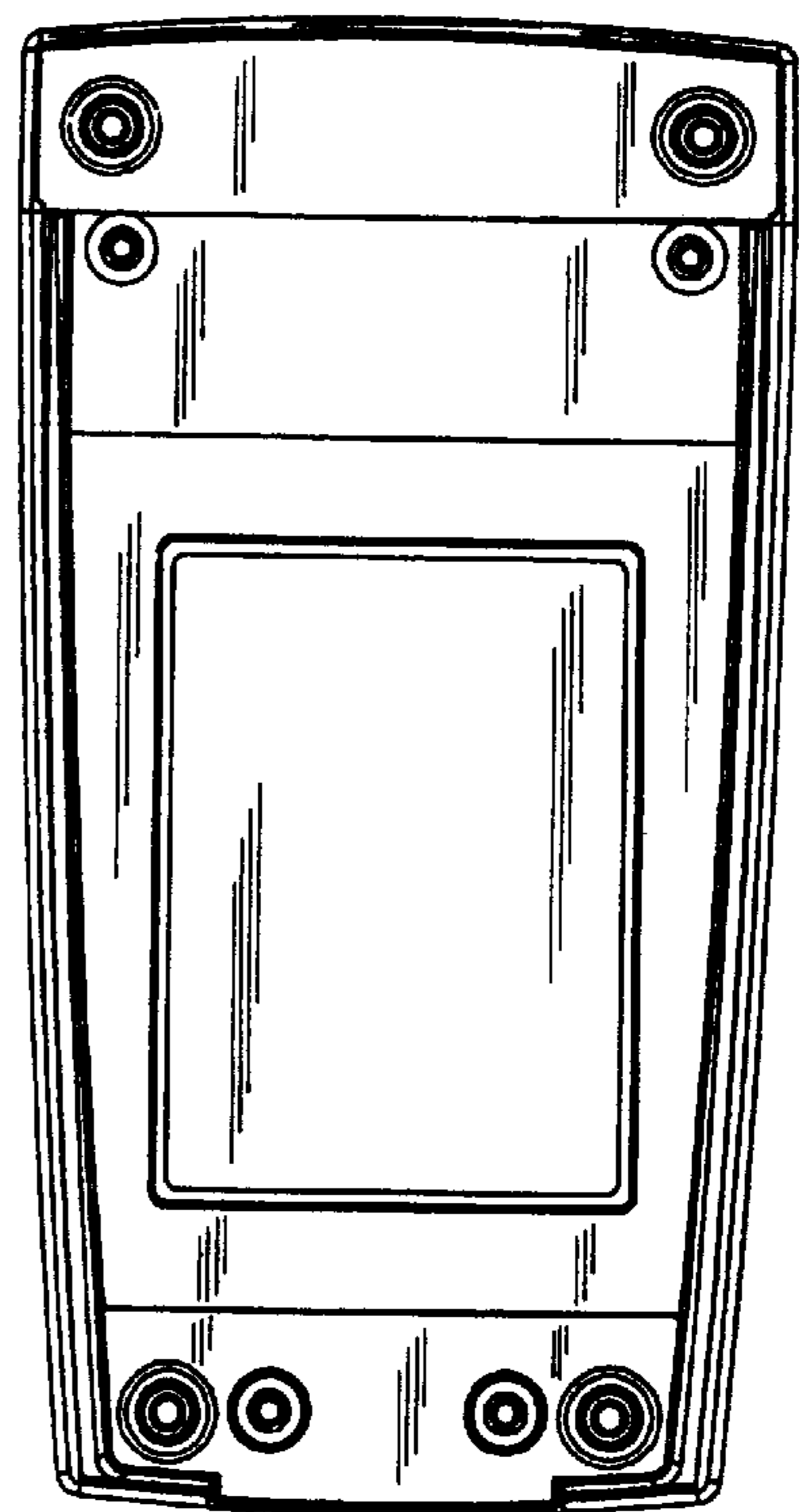


FIG. 5

FIG. 6

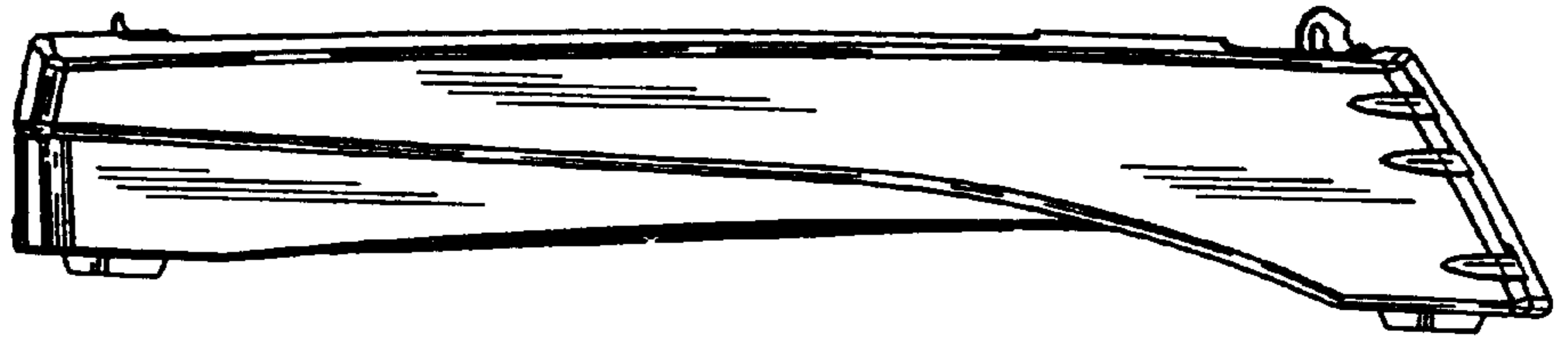


FIG. 7

