



US00D435039S

# United States Patent [19]

[11] **Patent Number: Des. 435,039**

**Miike**

[45] **Date of Patent: \*\* Dec. 12, 2000**

[54] **PICKUP FOR OPTICAL DISC PLAYER OR RECORDER**

Catalog "New product News/DVP-S7000", Sony (Jan. 1997), 2 pages.

[75] Inventor: **Masami Miike**, Tokyo, Japan

Catalog "KHS-180A", Sony (Publication date unknown), 2 pages.

[73] Assignee: **Sony Corporation**, Japan

*Primary Examiner*—Richelle Shelton  
*Attorney, Agent, or Firm*—Rader, Fishman & Grauer

[\*\*] Term: **14 Years**

[57] **CLAIM**

[21] Appl. No.: **29/094,319**

The ornamental design for a pickup for optical disc player or recorder, as shown and described.

[22] Filed: **Sep. 30, 1998**

**DESCRIPTION**

[30] **Foreign Application Priority Data**

Mar. 31, 1998 [JP] Japan ..... 10-8912

FIG. 1 is a perspective view of a pickup for an optical disc player or recorder showing my new design;

[51] **LOC (7) Cl.** ..... **14-03**

FIG. 2 is a top plan view thereof;

[52] **U.S. Cl.** ..... **D14/239**

FIG. 3 is a left side elevational view thereof;

[58] **Field of Search** ..... D14/217, 239,

D14/260; 369/44.14-44.24

FIG. 4 is a front elevational view thereof;

FIG. 5 is a bottom plan view thereof;

FIG. 6 is a right side elevational view thereof; and

FIG. 7 is a rear elevational view thereof.

[56] **References Cited**

**U.S. PATENT DOCUMENTS**

D. 278,428	4/1985	Tsuchihashi et al.	.....	D14/217
D. 288,558	3/1987	Takemura et al.	.....	D14/239
D. 385,883	11/1997	Takashina et al.	.....	D14/217
D. 389,150	1/1998	Tanaka	.....	D14/217
4,727,529	2/1988	Araki et al.	.....	369/44.23 X

FIG. 8 is a perspective view of a second embodiment of a pick up for an optical disc player or recorder showing my new design;

FIG. 9 is a top plan view thereof;

FIG. 10 is a left side elevational view thereof;

FIG. 11 is a front elevational view thereof;

FIG. 12 is a bottom plan view thereof;

FIG. 13 is a right side elevational view thereof; and,

FIG. 14 is a rear elevational view thereof.

**OTHER PUBLICATIONS**

"News & Information", pp. 1/2, 2/2 & drawing, Sony (Jul. 8, 1996).

"DVD, CD-R", Denpa Shinbun (Jul. 9, 1996), 2 pages.

**1 Claim, 8 Drawing Sheets**

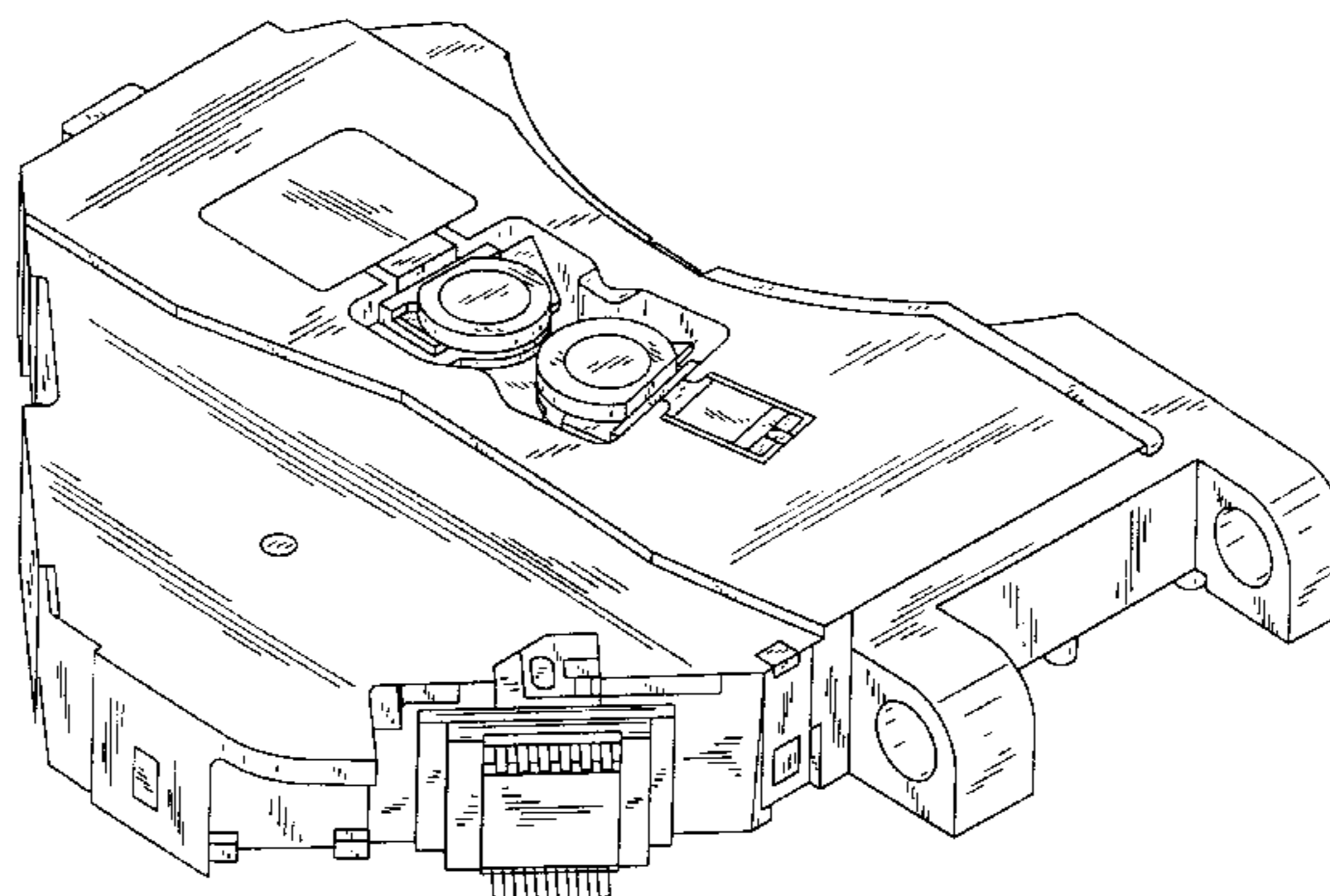
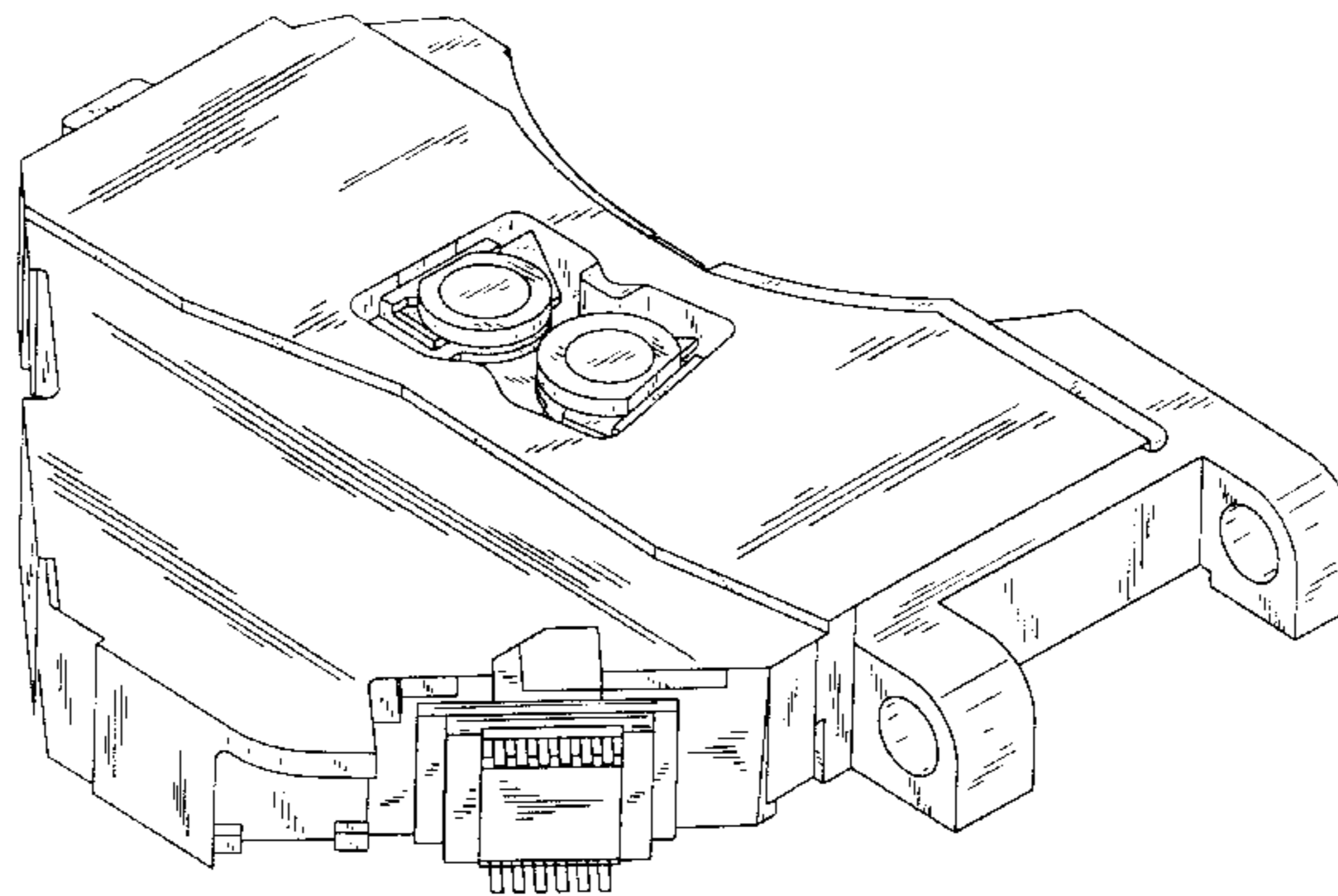


FIG. 1

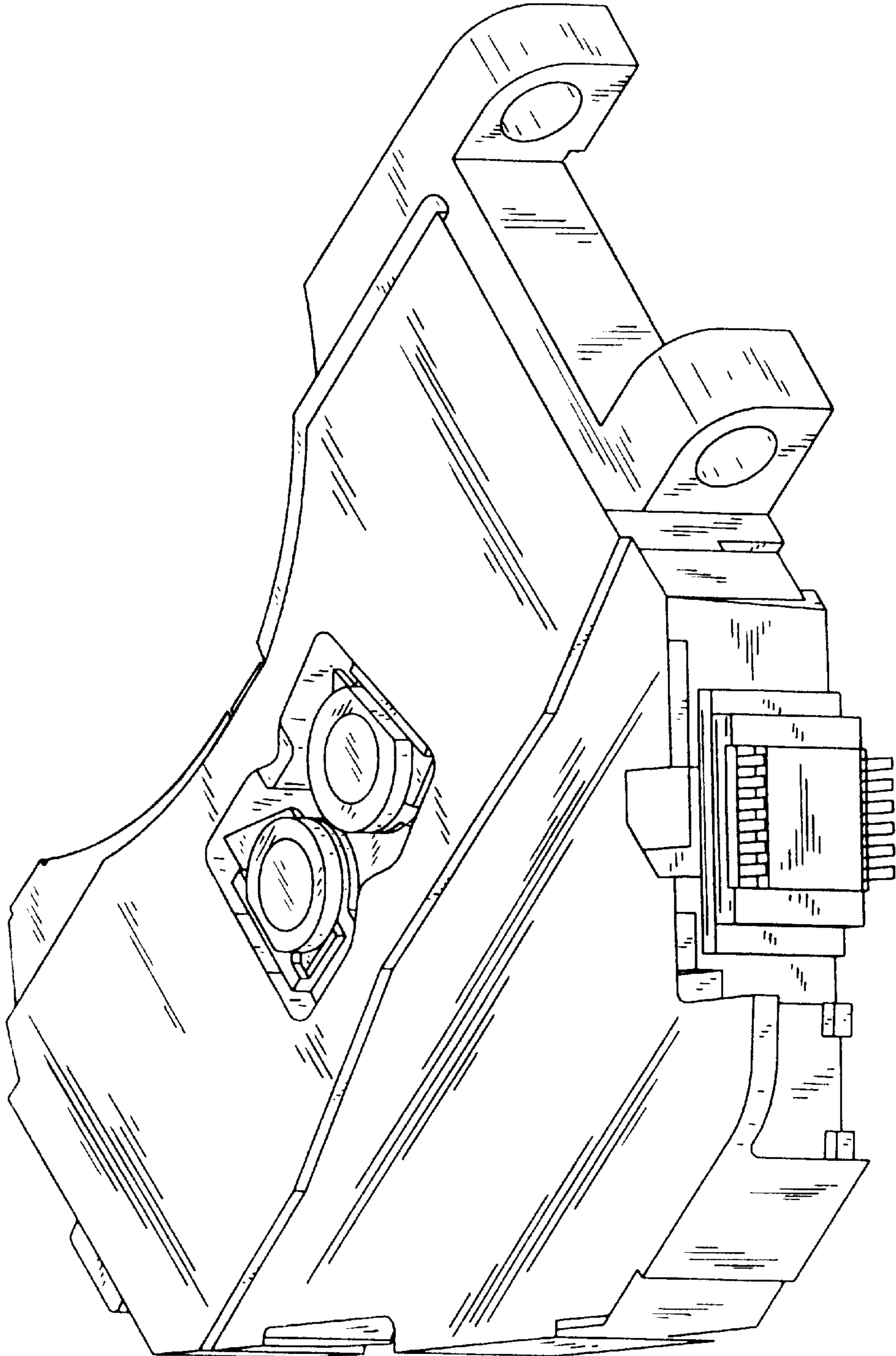


FIG. 2

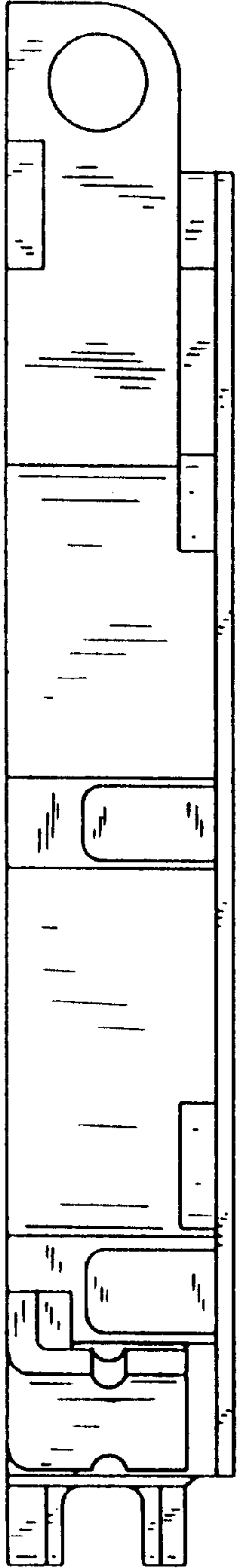


FIG. 5

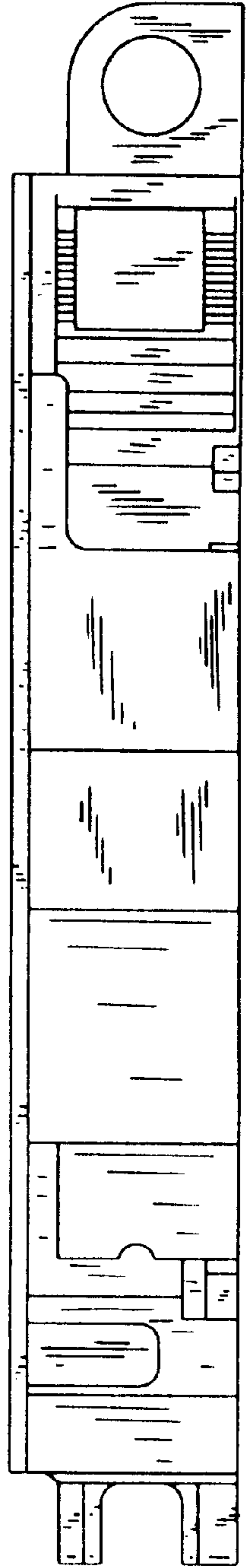


FIG. 4

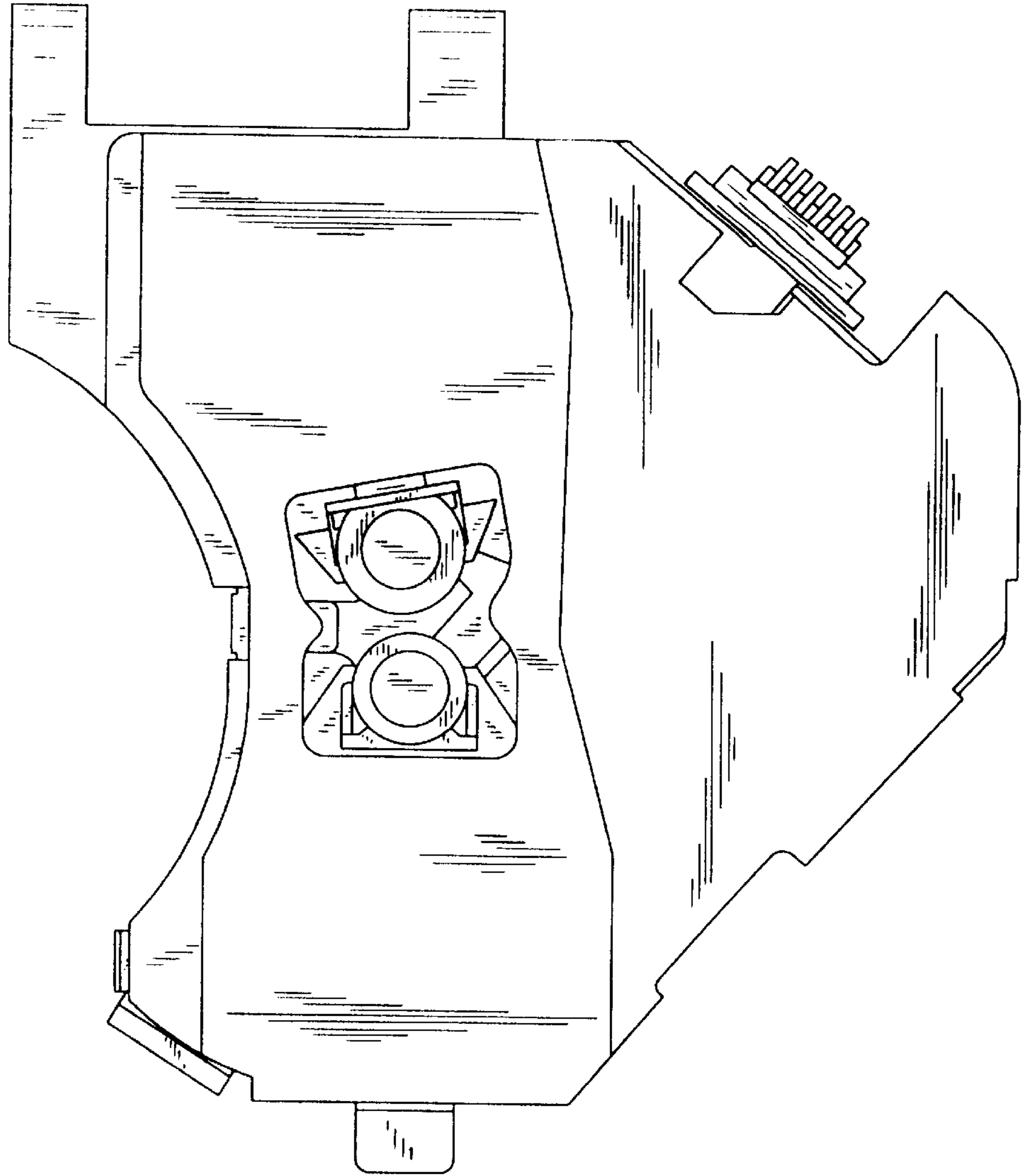


FIG. 3

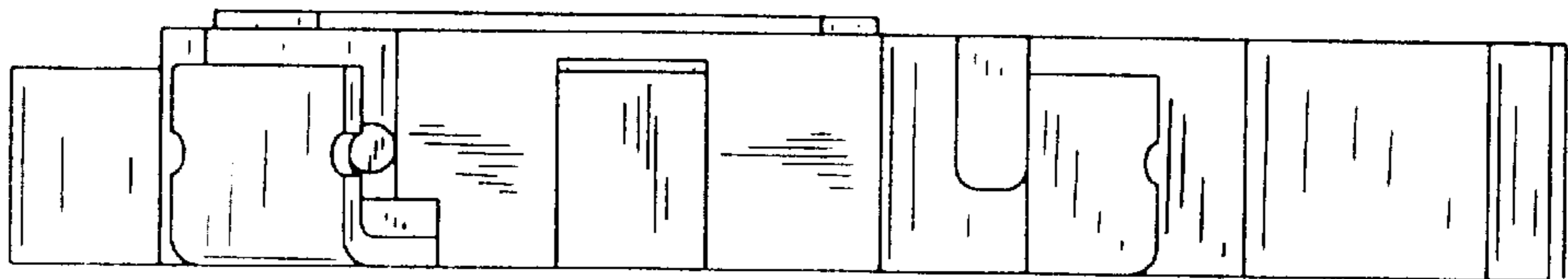


FIG. 7

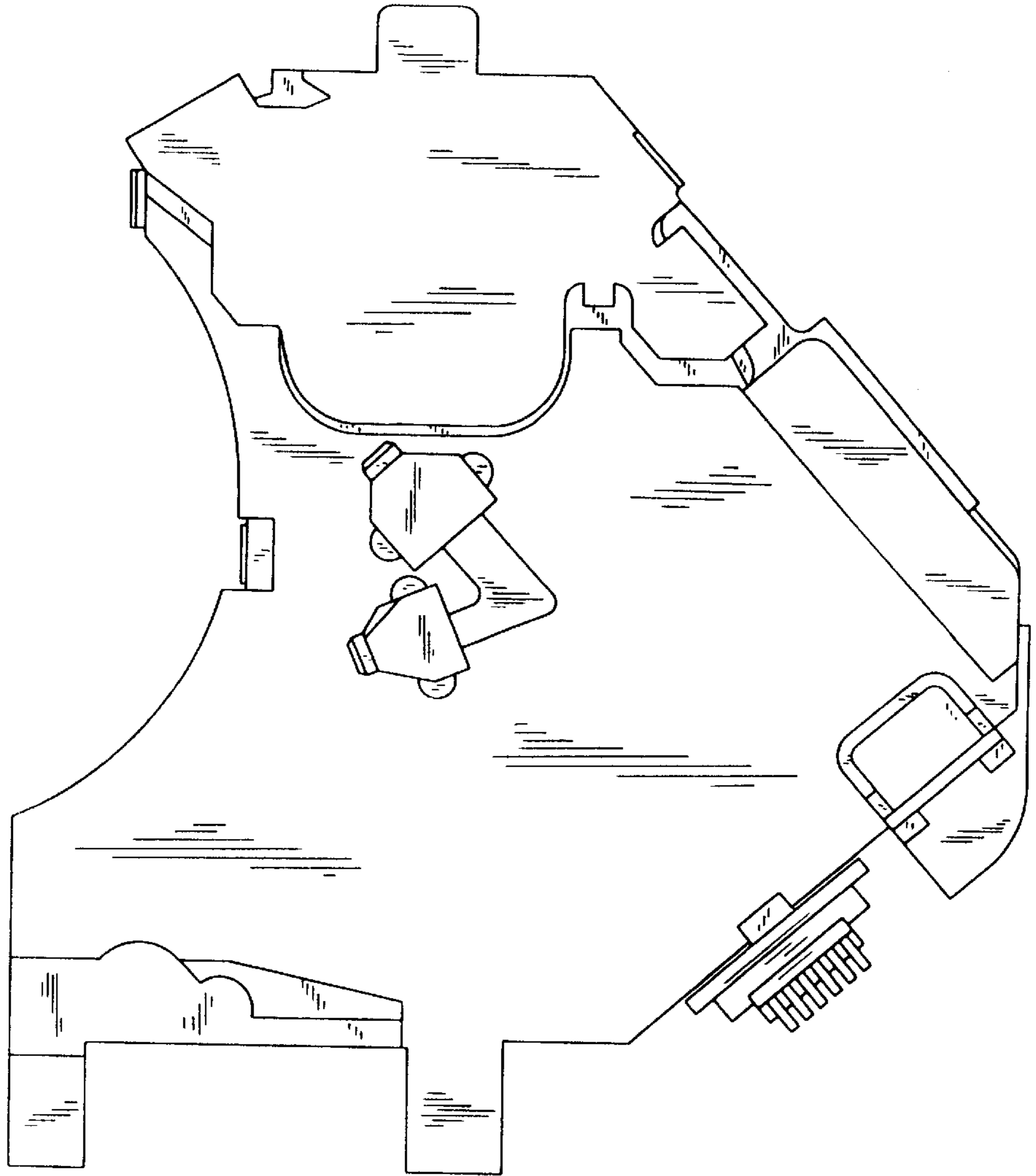


FIG. 6

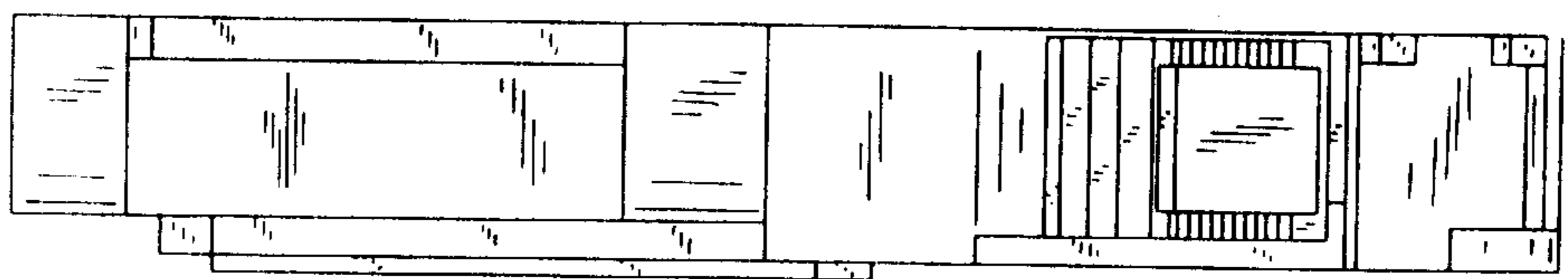


FIG. 8

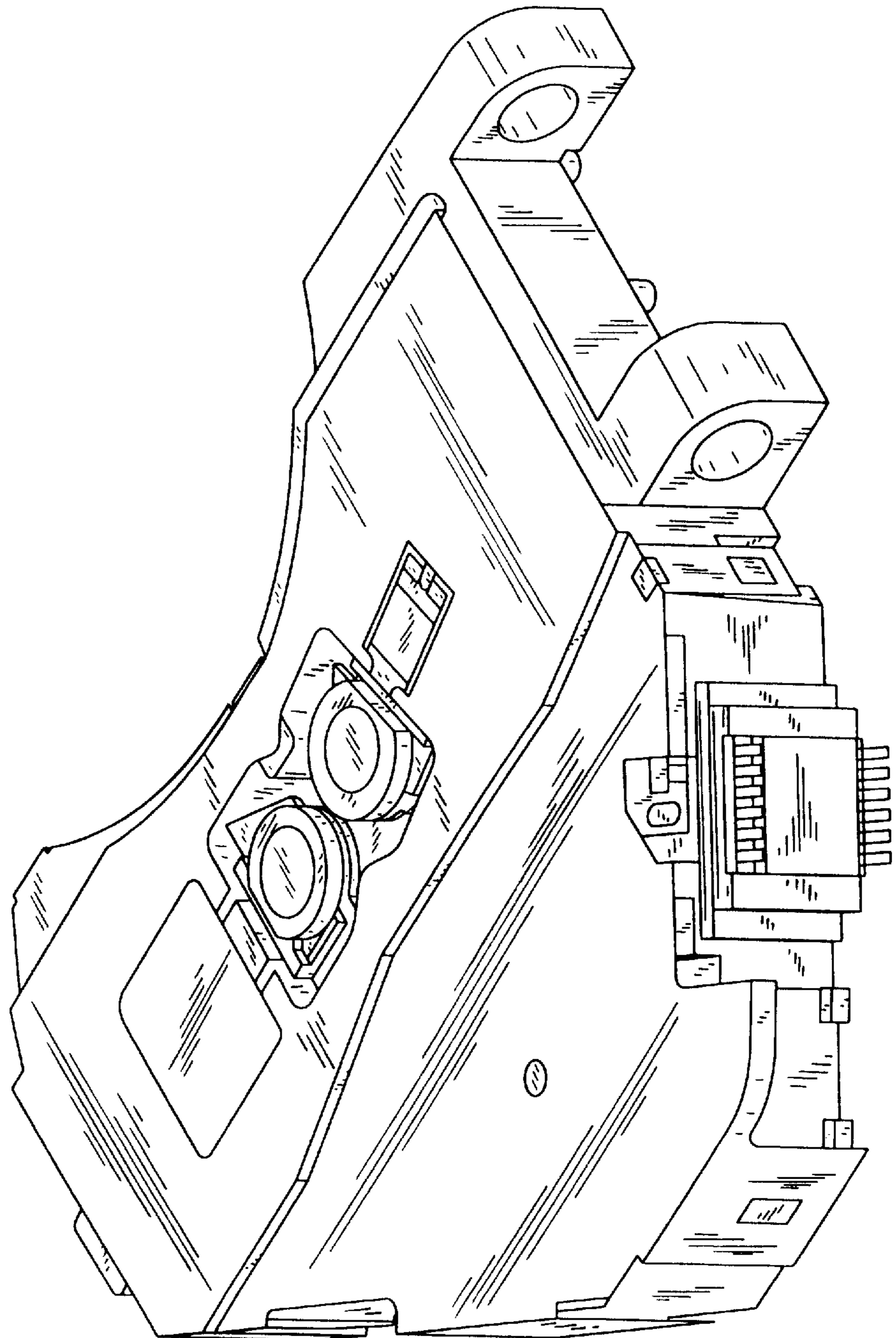


FIG. 9

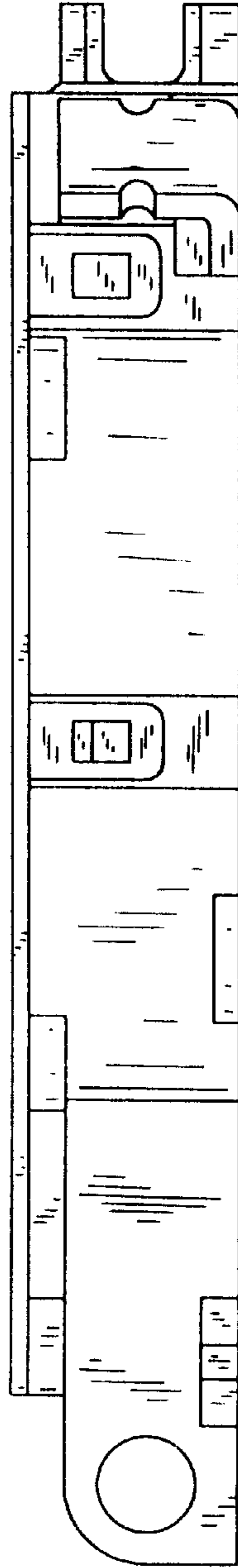


FIG. 12

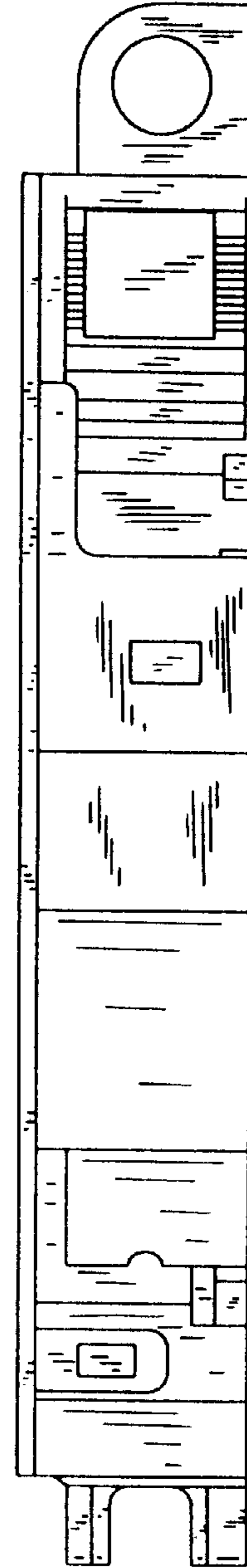


FIG. 11

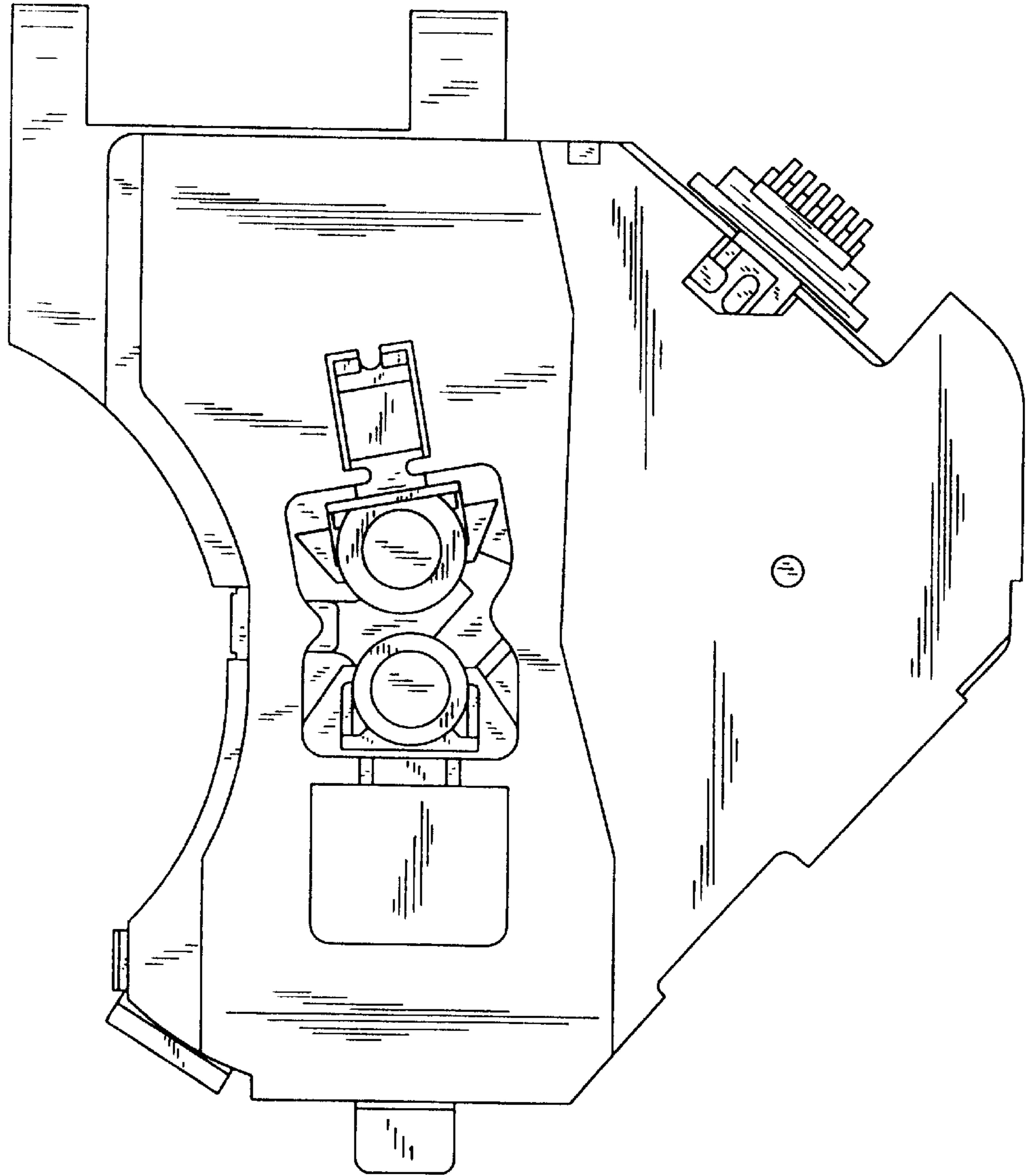


FIG. 10

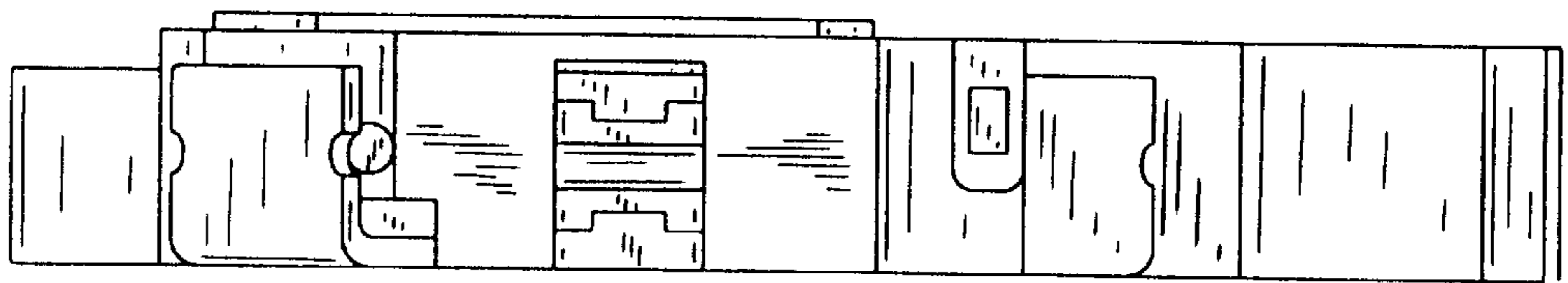




FIG. 14

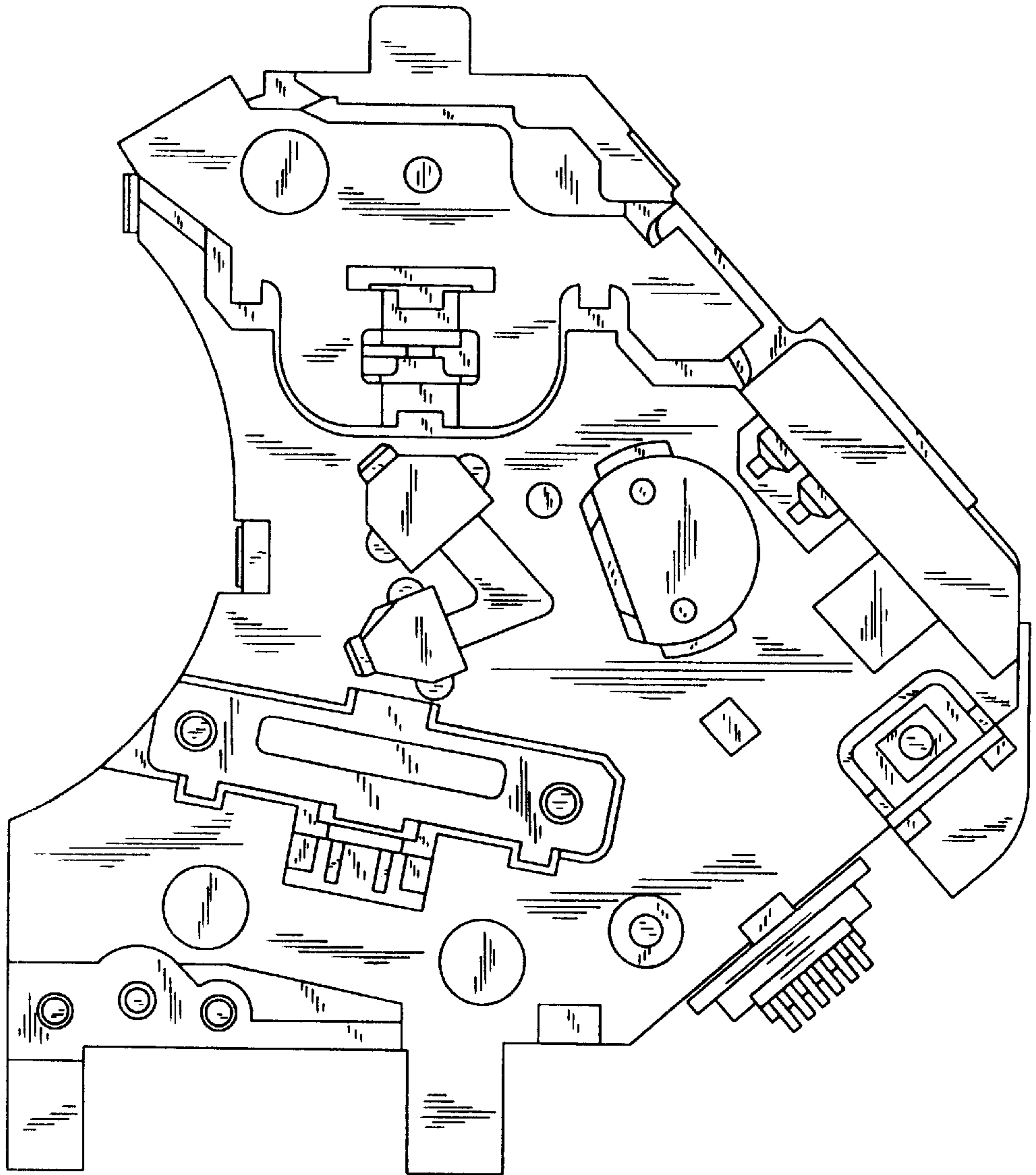


FIG. 13

