



US00D435037S

**United States Patent** [19]  
**Liu**

[11] **Patent Number: Des. 435,037**

[45] **Date of Patent: \*\* Dec. 12, 2000**

[54] **MICROPHONE**

[76] Inventor: **Chun-Lung Liu**, P.O. Box 82-144,  
Taipei, Taiwan

[\*\*] Term: **14 Years**

[21] Appl. No.: **29/116,627**

[22] Filed: **Jan. 5, 2000**

[51] **LOC (7) Cl.** ..... **14-01**

[52] **U.S. Cl.** ..... **D14/228**

[58] **Field of Search** ..... D14/225-229;  
181/158, 242; 381/26, 92, 95, 122, 369

[56] **References Cited**

**U.S. PATENT DOCUMENTS**

- D. 247,705 4/1978 Armstrong ..... D14/228
- D. 247,706 4/1978 Armstrong ..... D14/228
- D. 247,707 4/1978 Armstrong ..... D14/228
- D. 277,852 3/1985 Watson ..... D14/228
- D. 295,224 4/1988 Miyamoto ..... D14/228 X
- D. 400,540 11/1999 Cruver, IV et al. .... D14/228

**OTHER PUBLICATIONS**

Tray and Dinner, p. 101, Microphone, model no. 585SAV,  
Apr. 1970.

*Primary Examiner*—Nanda Bondade  
*Attorney, Agent, or Firm*—A & J

[57] **CLAIM**

The ornamental design for a microphone, as shown and  
described.

**DESCRIPTION**

FIG. 1 is a perspective view of a microphone showing my  
new design;

FIG. 2 is a reduced front elevational view thereof;

FIG. 3 is a rear elevational view thereof;

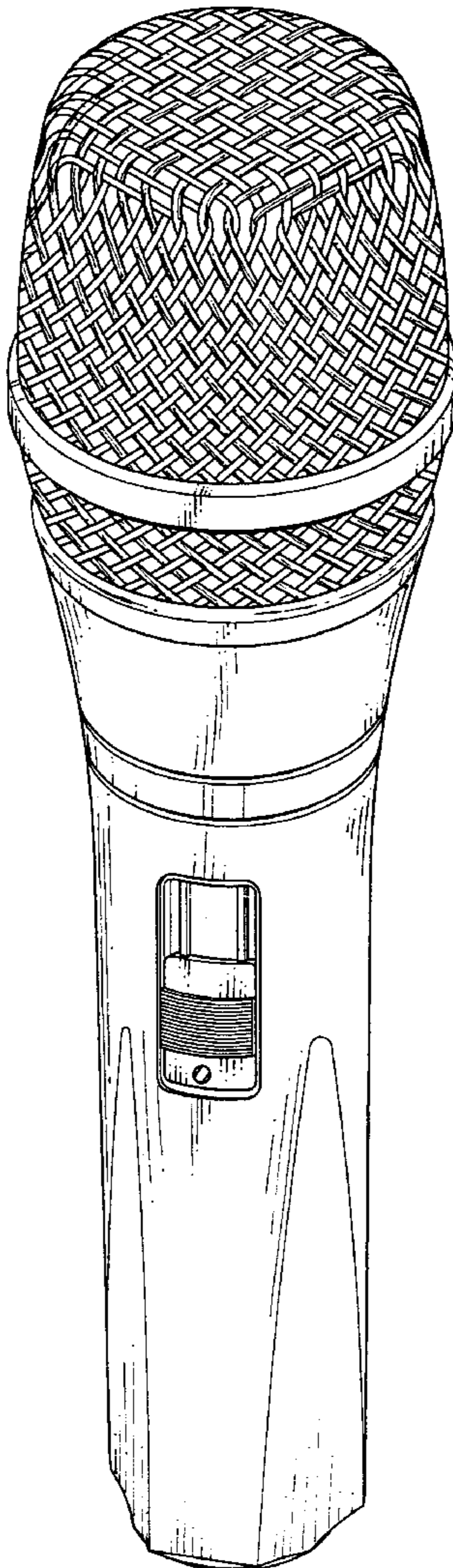
FIG. 4 is a left side elevational view thereof;

FIG. 5 is a right side elevational view thereof;

FIG. 6 is a top plan view thereof; and,

FIG. 7 is a bottom plan view thereof.

**1 Claim, 6 Drawing Sheets**



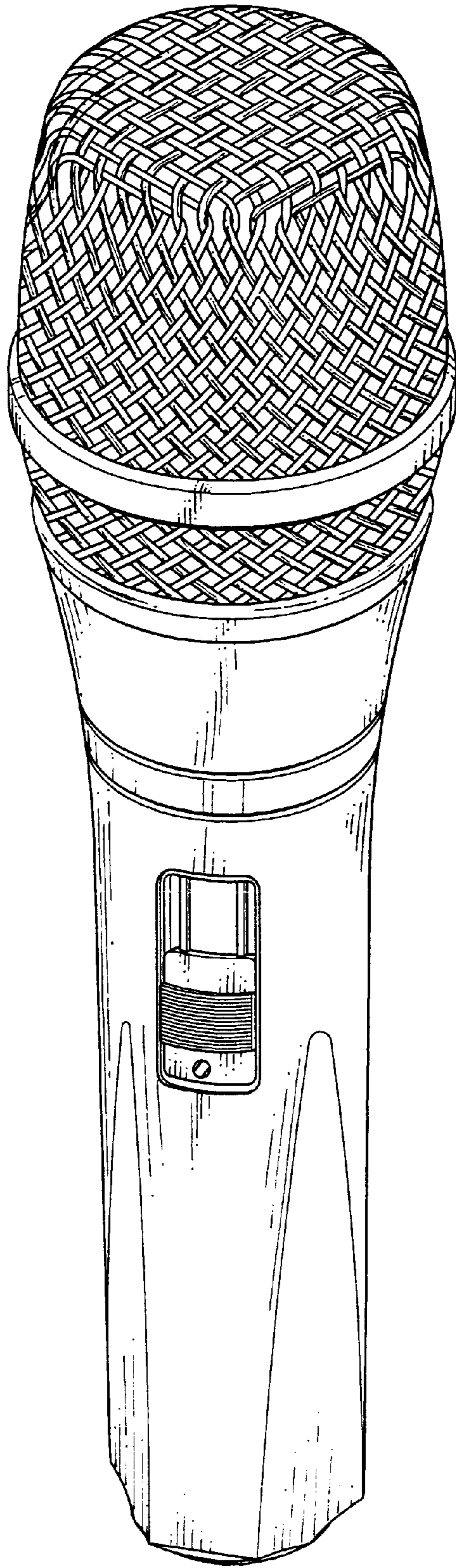


FIG. 1

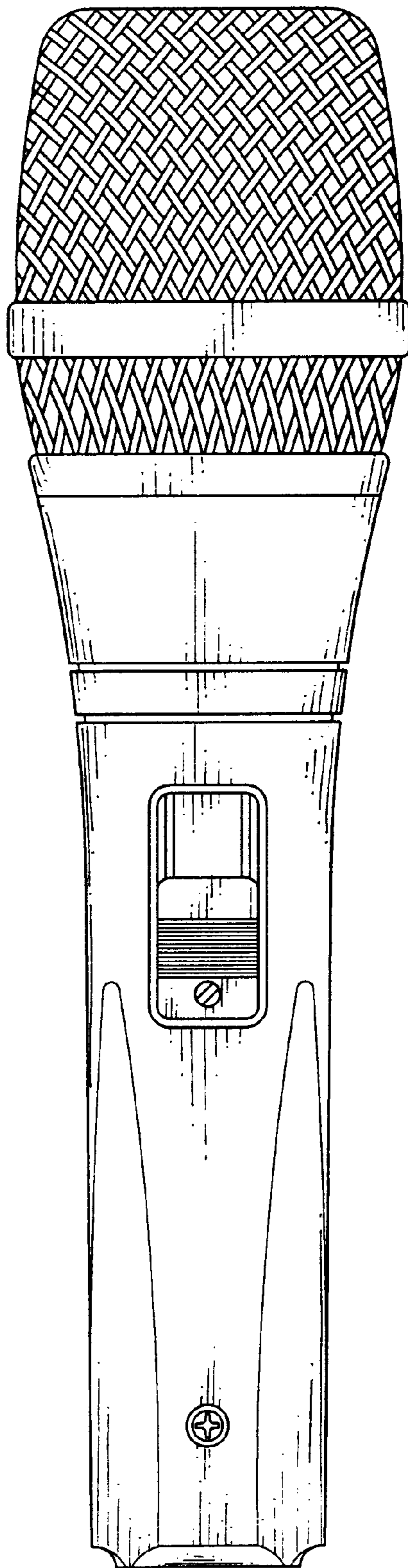


FIG. 2

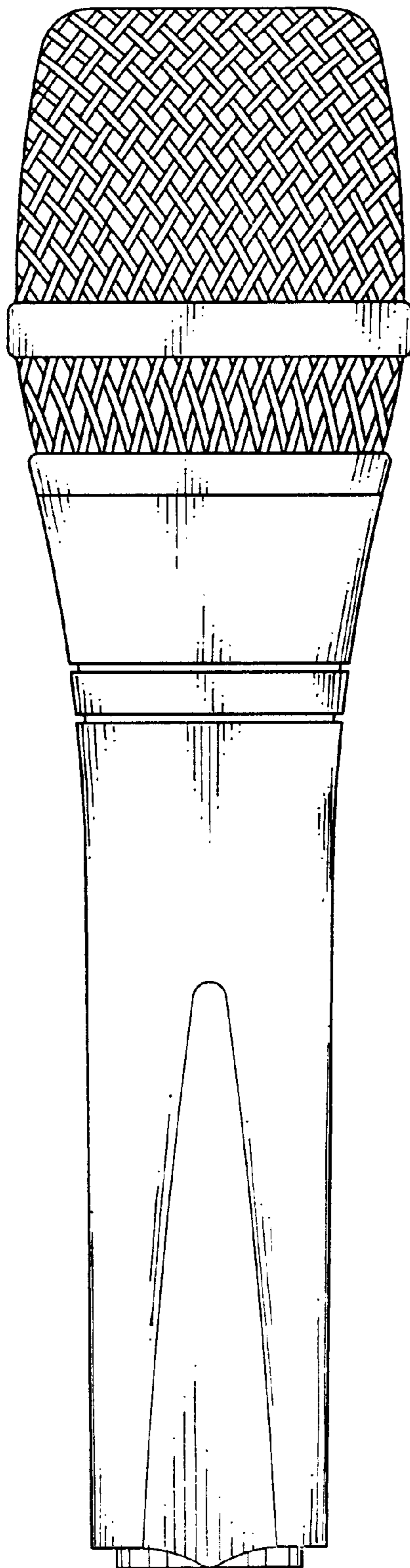


FIG. 3

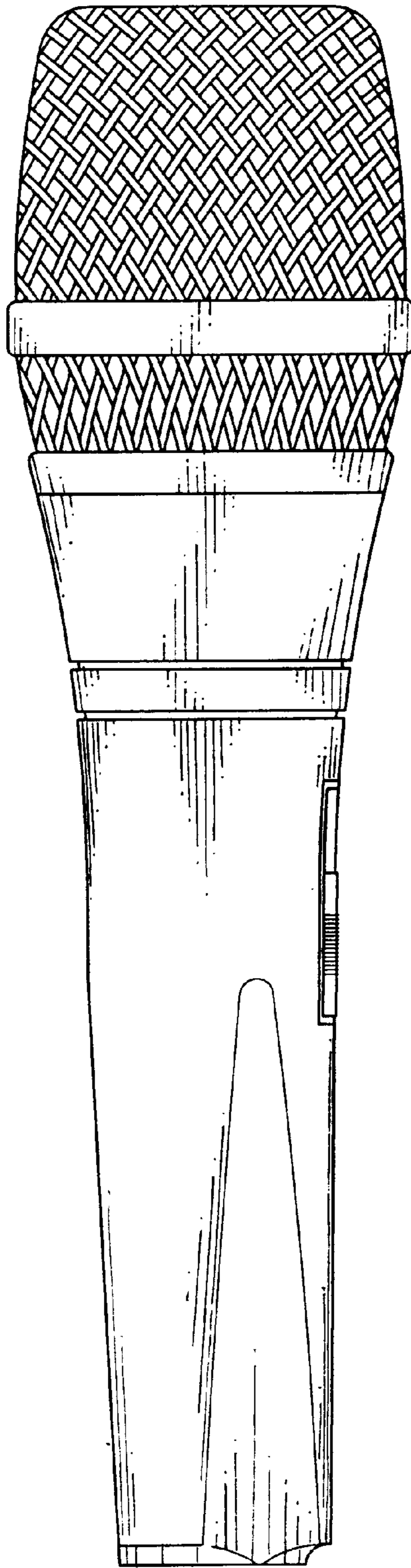


FIG. 4

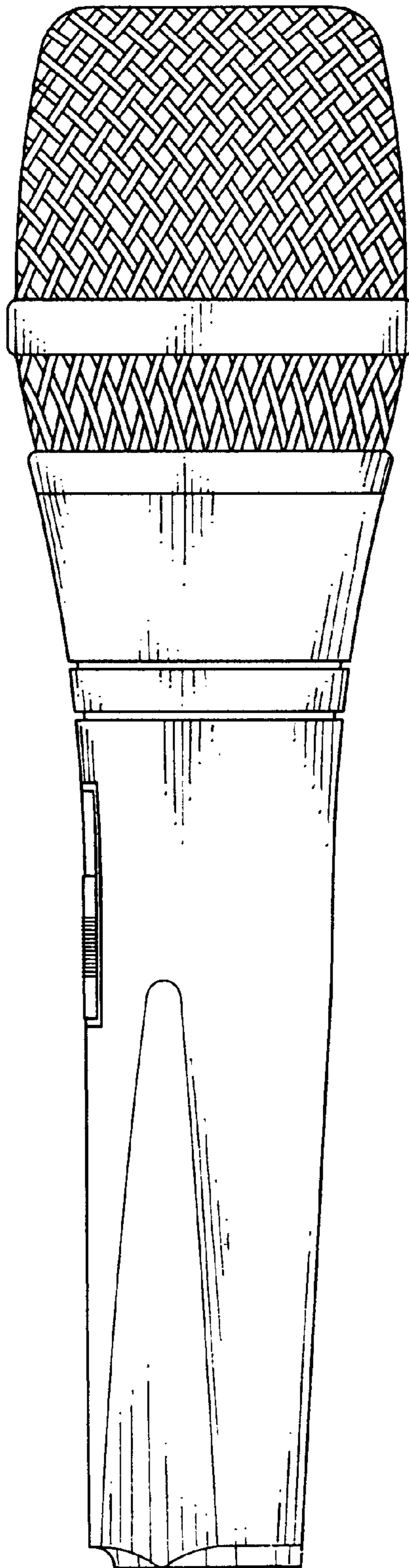


FIG. 5

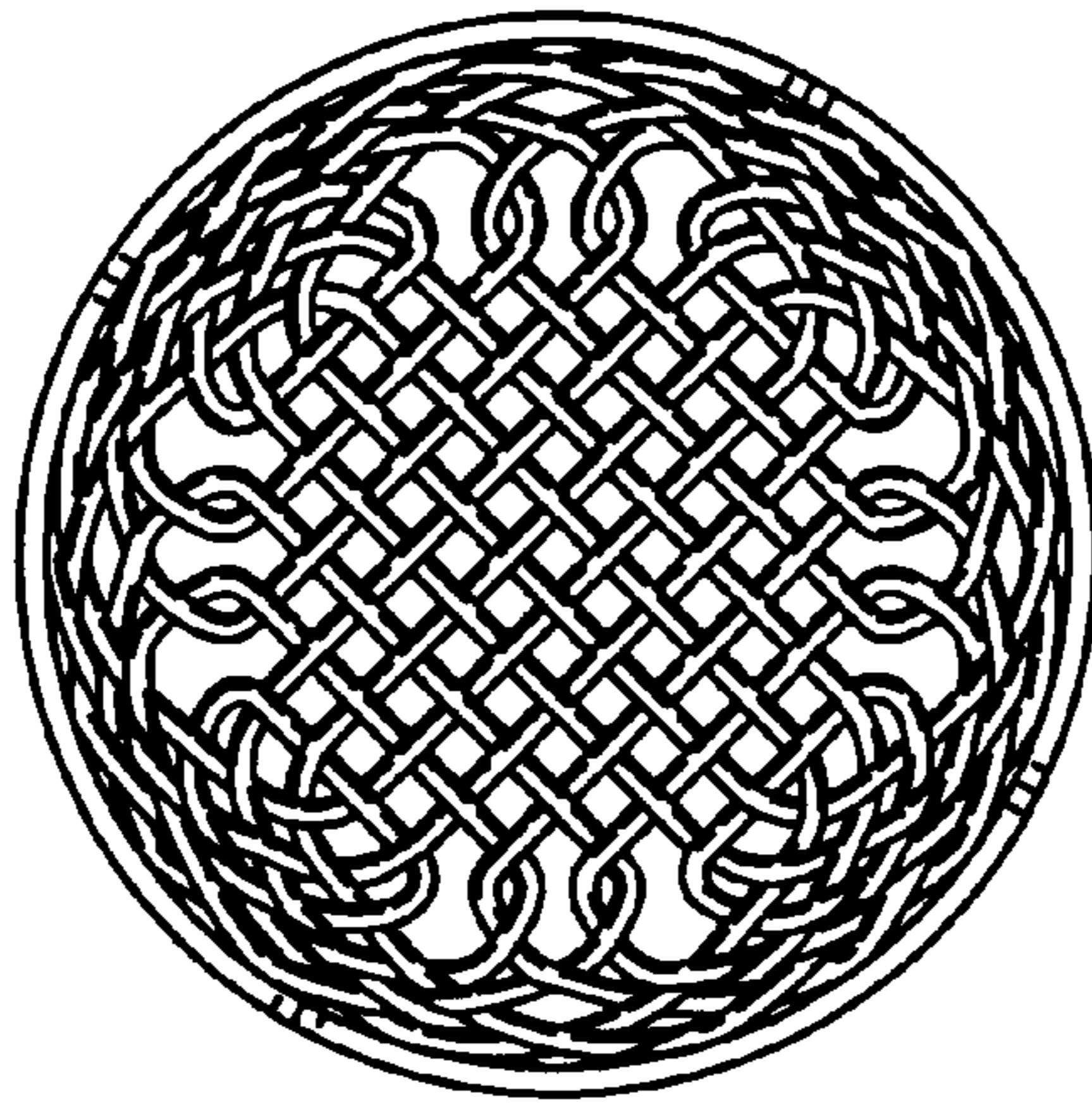


FIG. 6

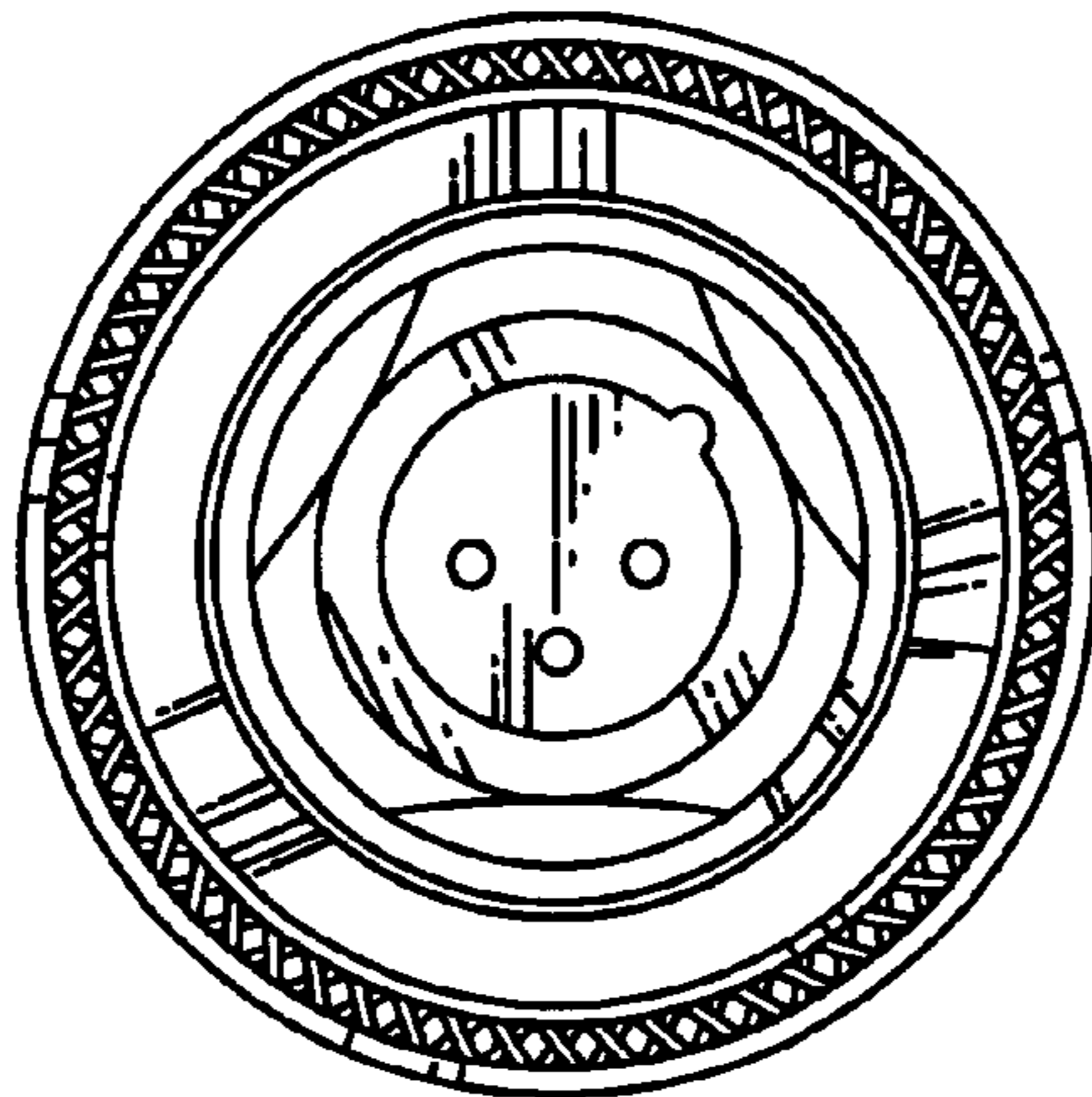


FIG. 7