



US00D435036S

# United States Patent [19]

[11] **Patent Number: Des. 435,036**

**Koss et al.**

[45] **Date of Patent: \*\* Dec. 12, 2000**

[54] **STEREOPHONE EAR PLUG**

[75] Inventors: **Michael J. Koss**, River Hills; **Allan G. Mlodzikowski**, Muskego, both of Wis.; **Jennifer R. Schneider**, Commerce, Mich.

[73] Assignee: **Koss Corporation**, Milwaukee, Wis.

[\*\*] Term: **14 Years**

[21] Appl. No.: **29/114,075**

[22] Filed: **Nov. 17, 1999**

### Related U.S. Application Data

[62] Division of application No. 09/257,664, Feb. 25, 1999.

[51] **LOC (7) Cl.** ..... **14-01**

[52] **U.S. Cl.** ..... **D14/223; D24/134**

[58] **Field of Search** ..... D14/147, 192, D14/205, 206, 223, 224, 249; D24/106, 137, 174; 181/129-131; 128/864, 865

### [56] References Cited

#### U.S. PATENT DOCUMENTS

|            |         |                      |         |
|------------|---------|----------------------|---------|
| Re. 29,487 | 12/1977 | Gardner, Jr. ....    | 128/152 |
| D. 236,988 | 9/1975  | Walters et al. ....  | D14/223 |
| D. 292,530 | 10/1987 | Andersson ....       | D14/205 |
| D. 331,966 | 12/1992 | Gardner, Jr. ....    | D14/205 |
| D. 361,066 | 8/1995  | Langhorn et al. .... | D14/205 |
| D. 375,551 | 11/1996 | Esler et al. ....    | D24/106 |
| D. 377,796 | 2/1997  | Hayashi ....         | D14/223 |
| 454,138    | 6/1891  | Mercadier .          |         |
| 2,824,558  | 2/1958  | Michael et al. ....  | 128/864 |
| 3,123,069  | 3/1964  | Laisne et al. ....   | 128/864 |
| 3,324,253  | 6/1967  | Uemura et al. ....   | 179/115 |
| 3,671,685  | 6/1972  | McCabe ....          | 179/156 |
| 3,811,437  | 5/1974  | Gardner, Jr. ....    | 128/152 |

|           |         |                       |           |
|-----------|---------|-----------------------|-----------|
| 4,133,984 | 1/1979  | Akiyama .....         | 179/197 E |
| 4,403,120 | 9/1983  | Yoshimi .....         | 179/182 R |
| 4,429,194 | 1/1984  | Kamon et al. ....     | 179/182 R |
| 4,668,842 | 5/1987  | Yokoyama et al. ....  | 381/183   |
| 4,736,435 | 4/1988  | Yokoyama et al. ....  | 381/187   |
| 4,965,838 | 10/1990 | Kamon et al. ....     | 181/129   |
| 5,188,123 | 2/1993  | Gardner, Jr. ....     | 128/864   |
| 5,222,151 | 6/1993  | Nagayoshi et al. .... | 381/187   |
| 5,659,156 | 8/1997  | Mauney et al. ....    | 181/130   |
| 5,799,658 | 9/1998  | Falco .....           | 128/846   |
| 5,957,136 | 9/1999  | Magidson et al. ....  | 128/864   |

### FOREIGN PATENT DOCUMENTS

|             |        |             |           |
|-------------|--------|-------------|-----------|
| 32 10034 A1 | 3/1982 | Germany .   |           |
| 58-97398    | 6/1983 | Japan ..... | H04R 1/10 |
| 52-110428   | 2/1986 | Japan .     |           |
| 171945      | 2/1990 | Mexico .    |           |

*Primary Examiner*—Nanda Bondade  
*Attorney, Agent, or Firm*—Whyte Hirschboeck Dudek SC

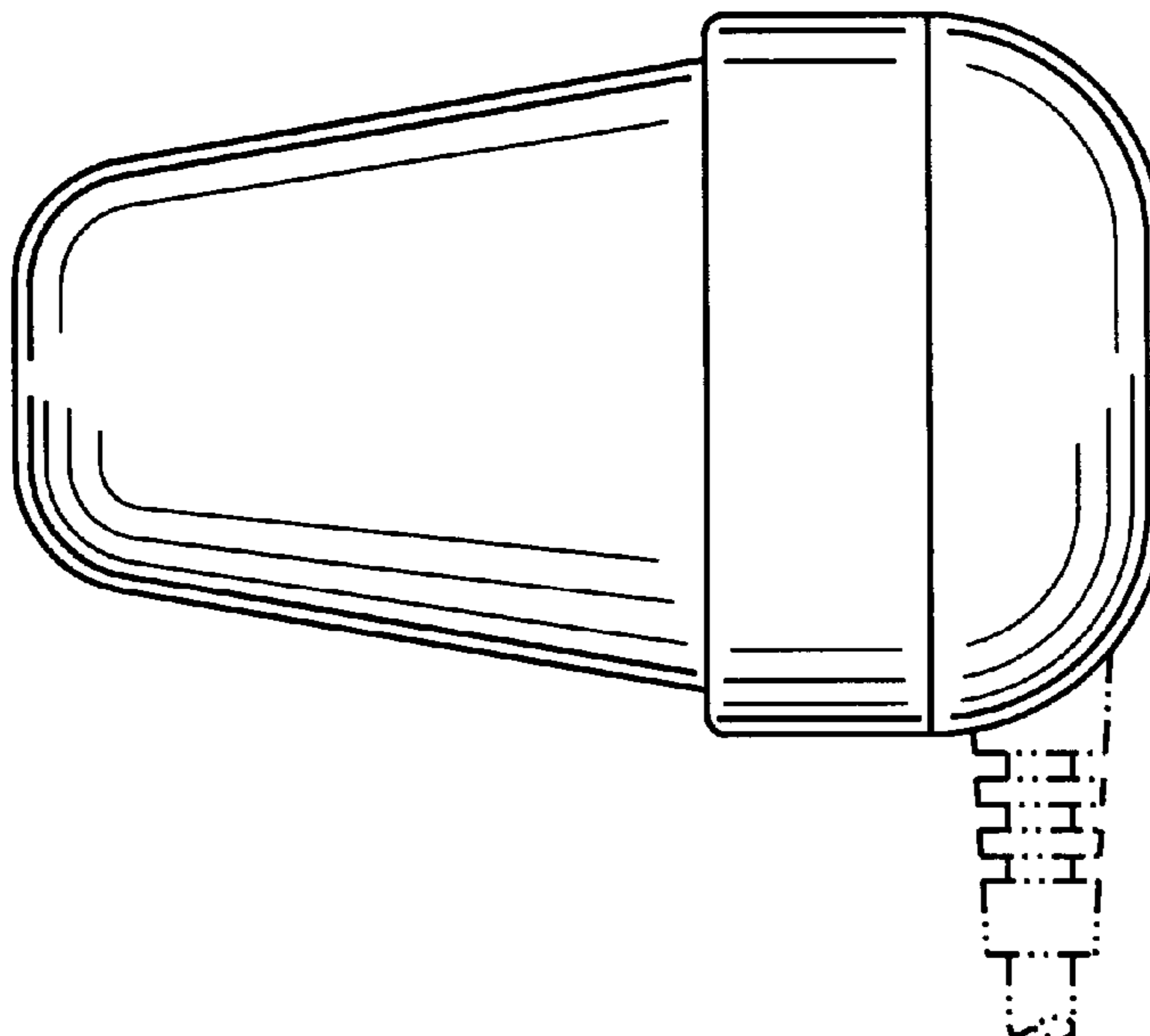
### [57] CLAIM

The ornamental design for a stereophone ear plug, as shown and described.

### DESCRIPTION

FIG. 1 is a front perspective view of a stereophone ear plug showing our new design;  
FIG. 2 is a side elevational view thereof, with the opposite side being a mirror image;  
FIG. 3 is a top plan view thereof;  
FIG. 4 is a bottom view thereof;  
FIG. 5 is a front view thereof; and,  
FIG. 6 is a rear view thereof.  
The broken line showing on FIGS. 2 and 4-6 is for illustrative purposes only and forms no part of the claimed design.

**1 Claim, 2 Drawing Sheets**



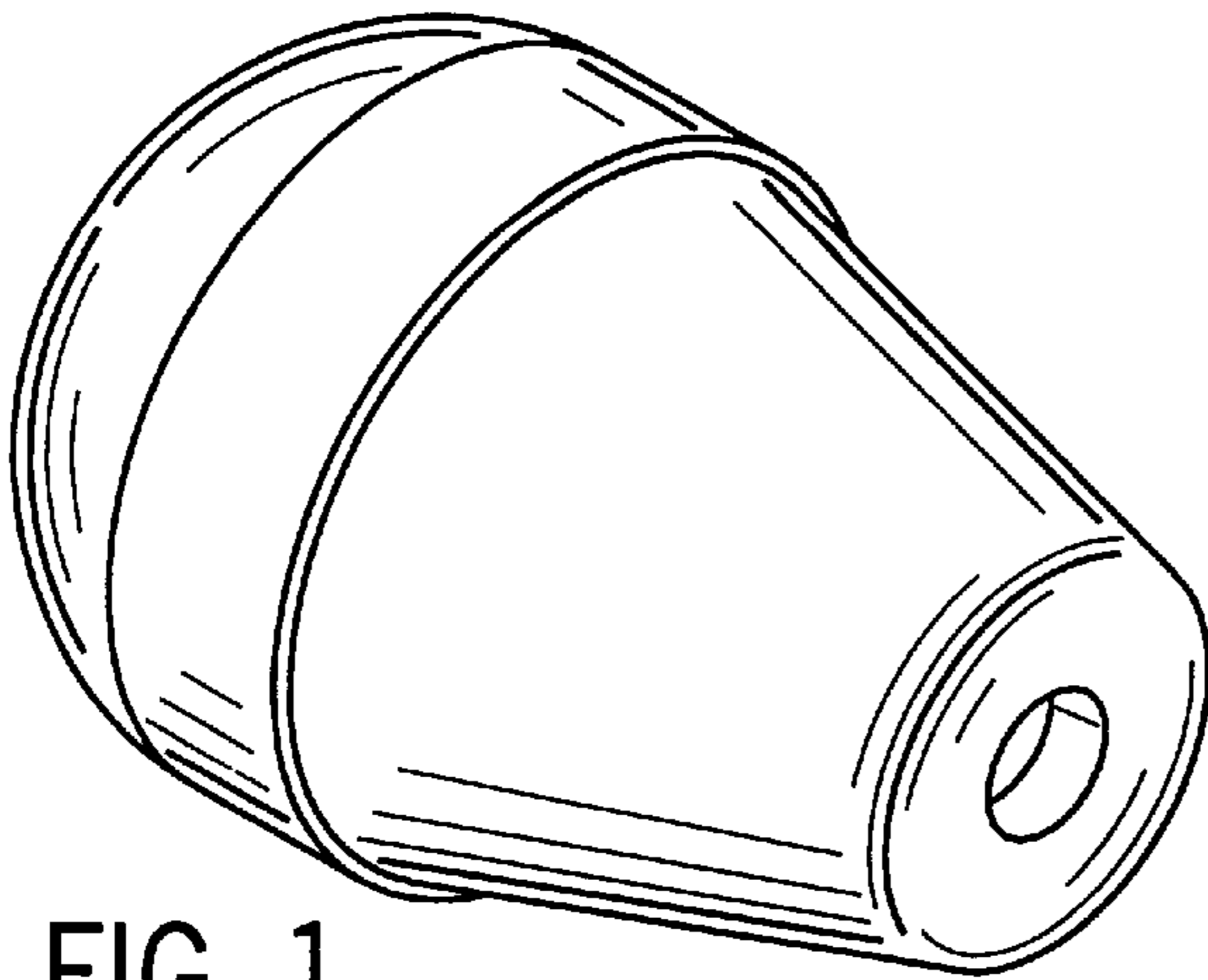


FIG. 1

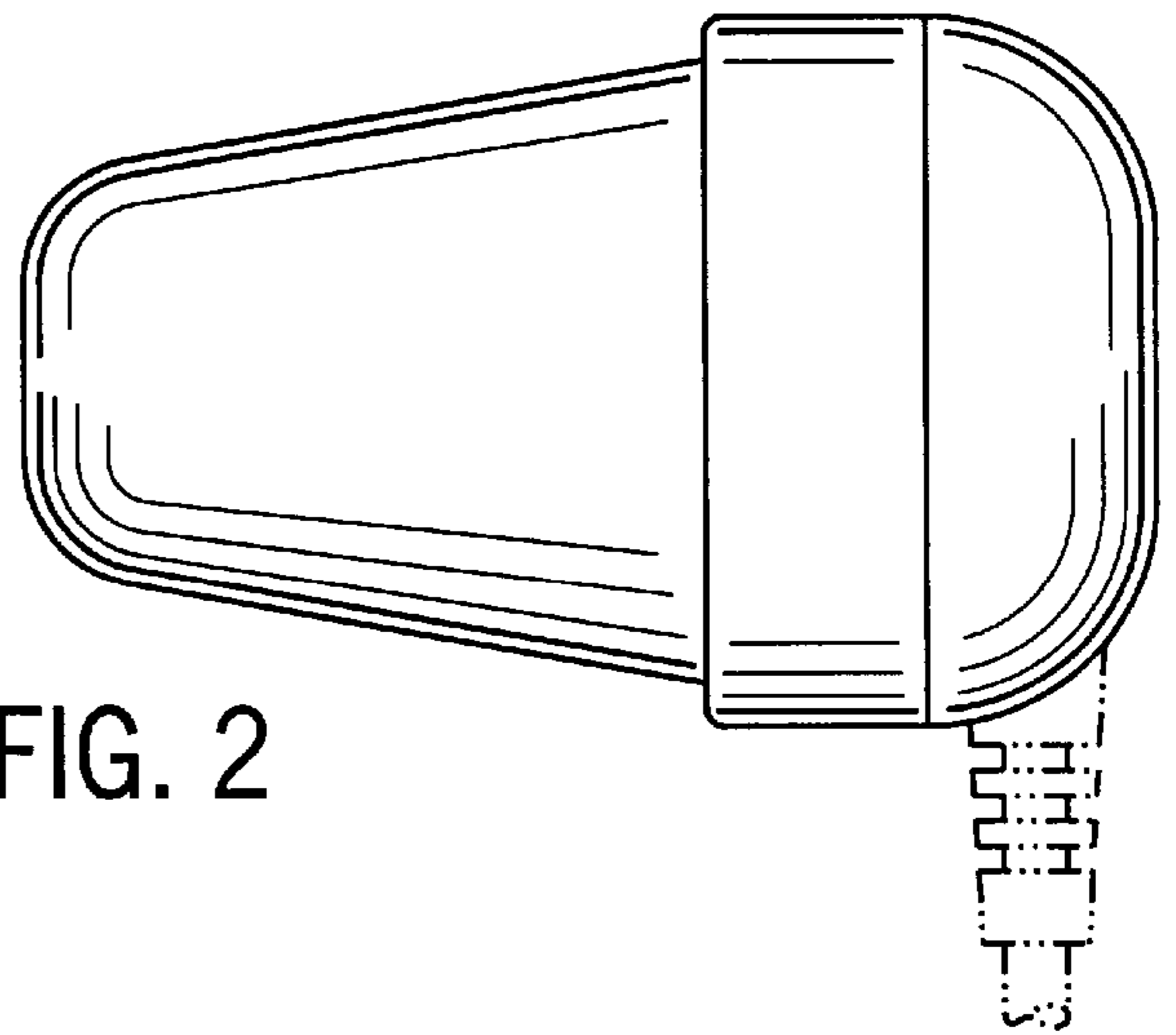


FIG. 2

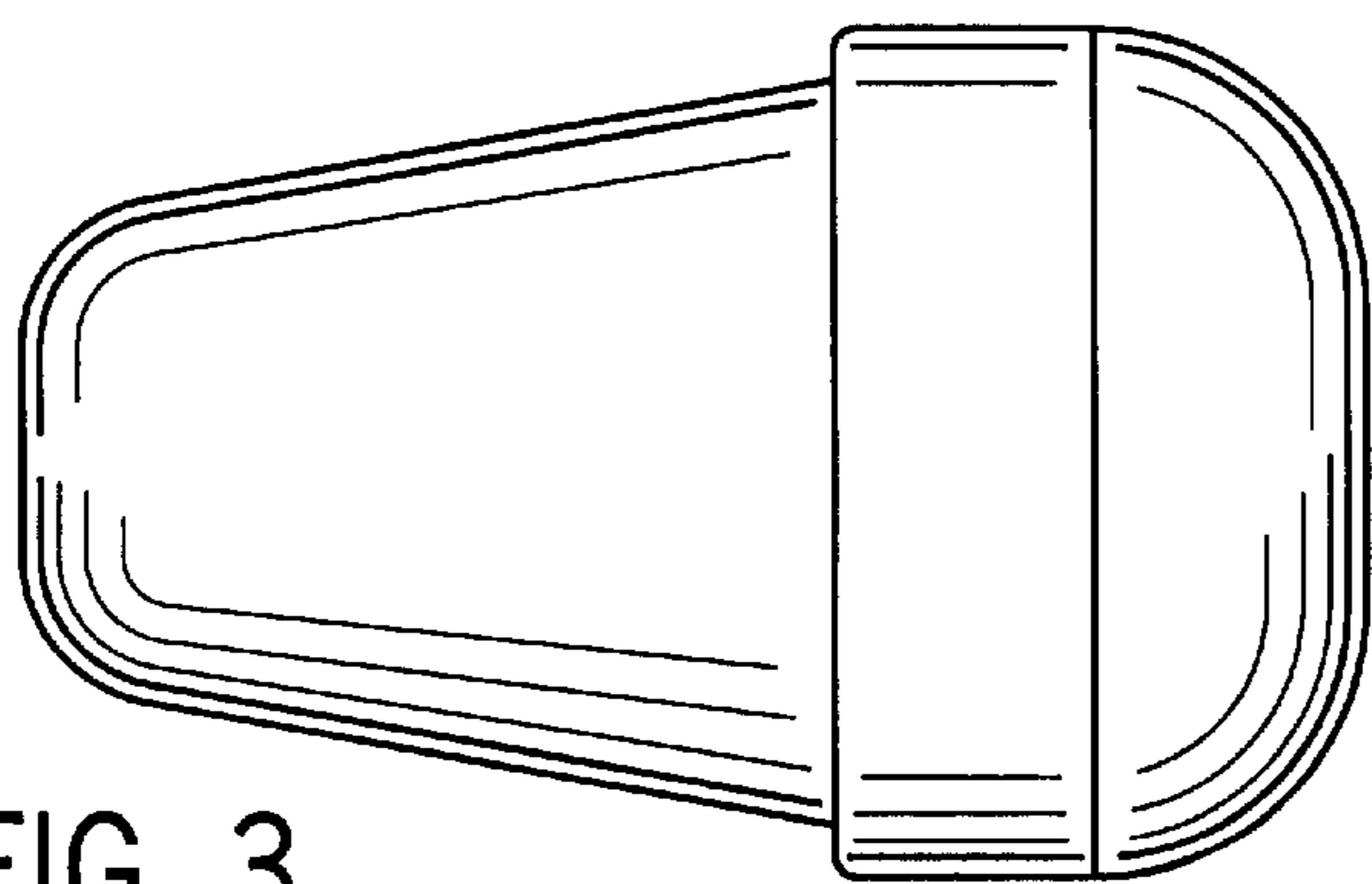


FIG. 3

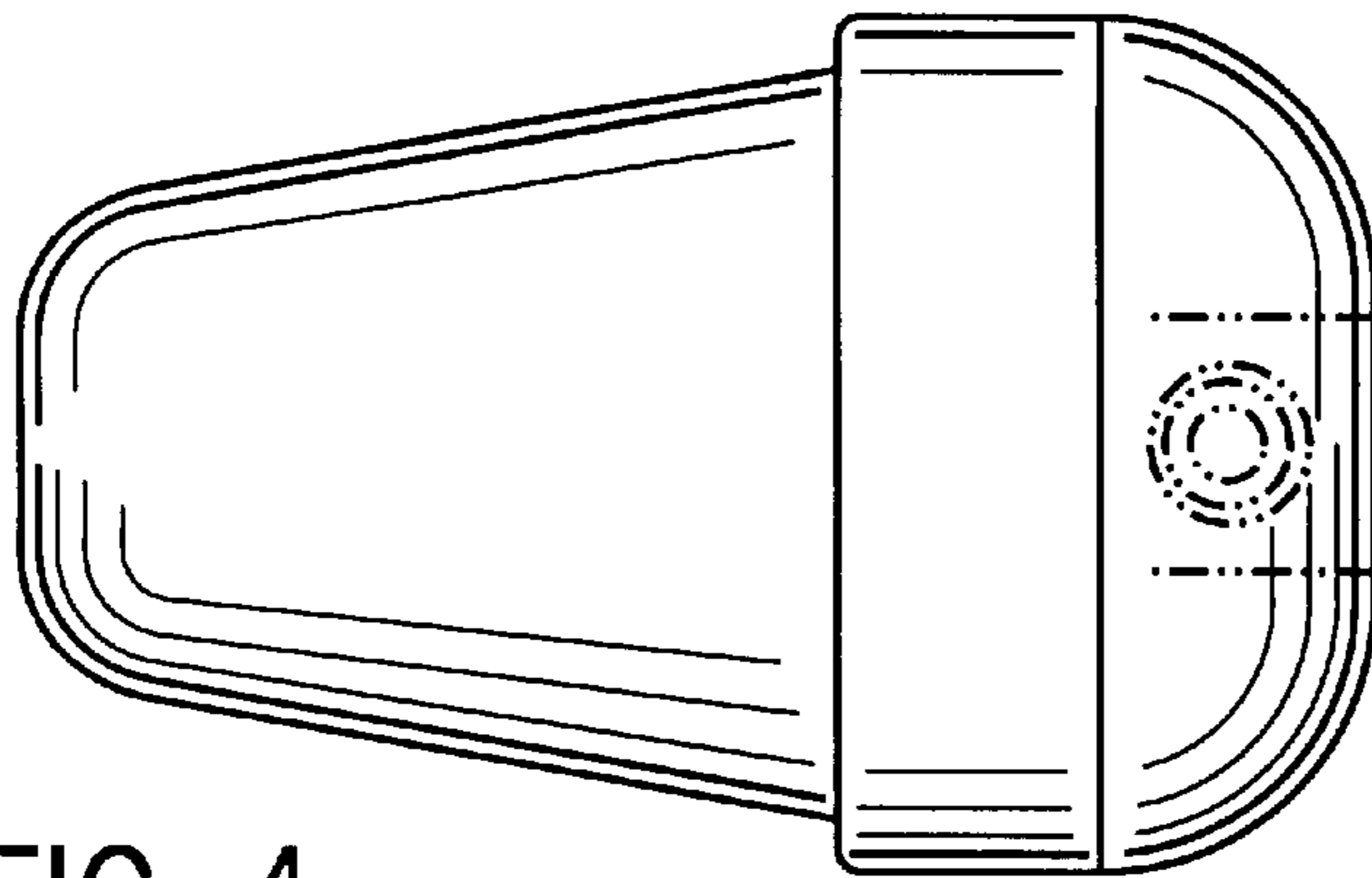


FIG. 4

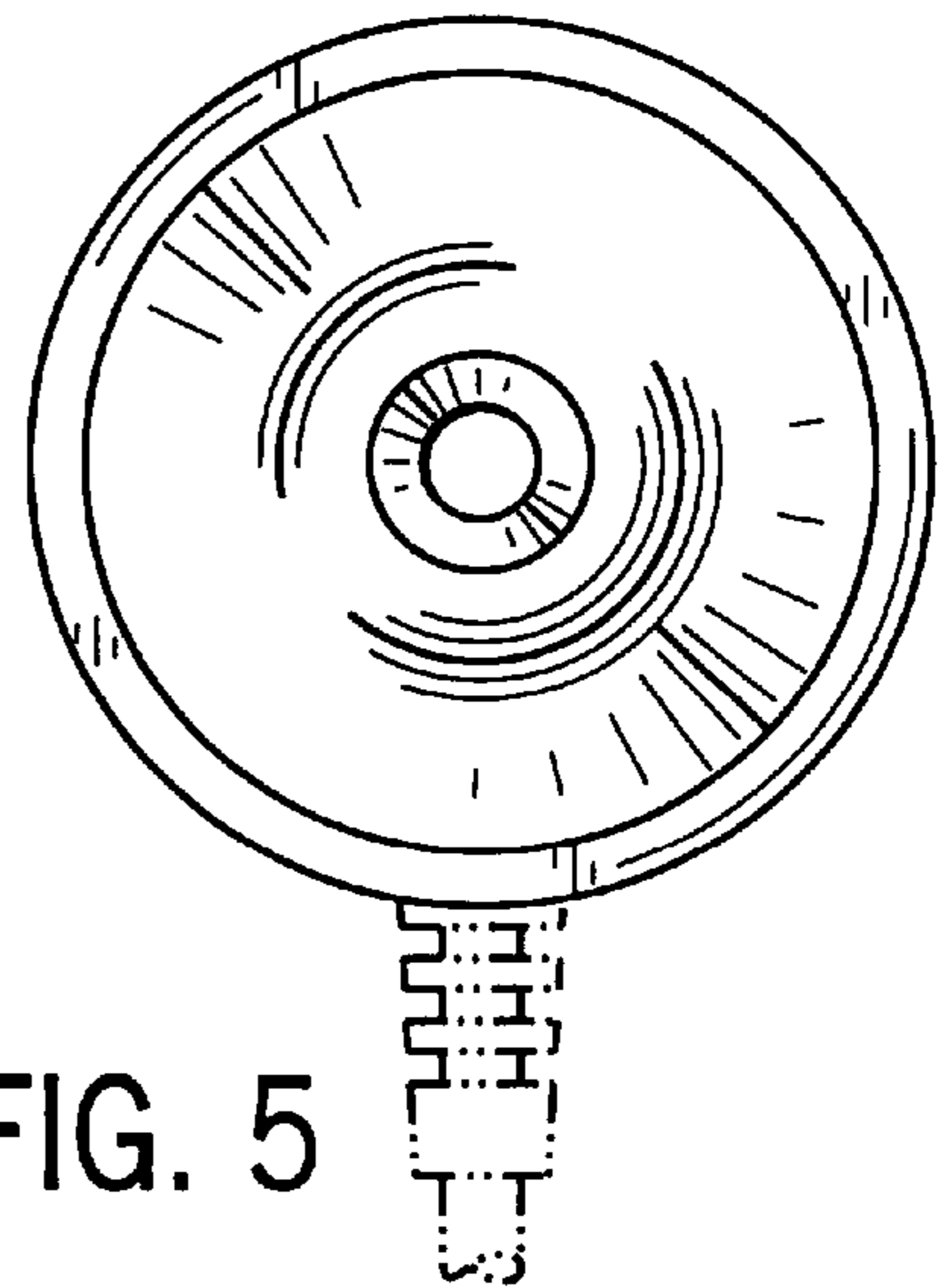


FIG. 5

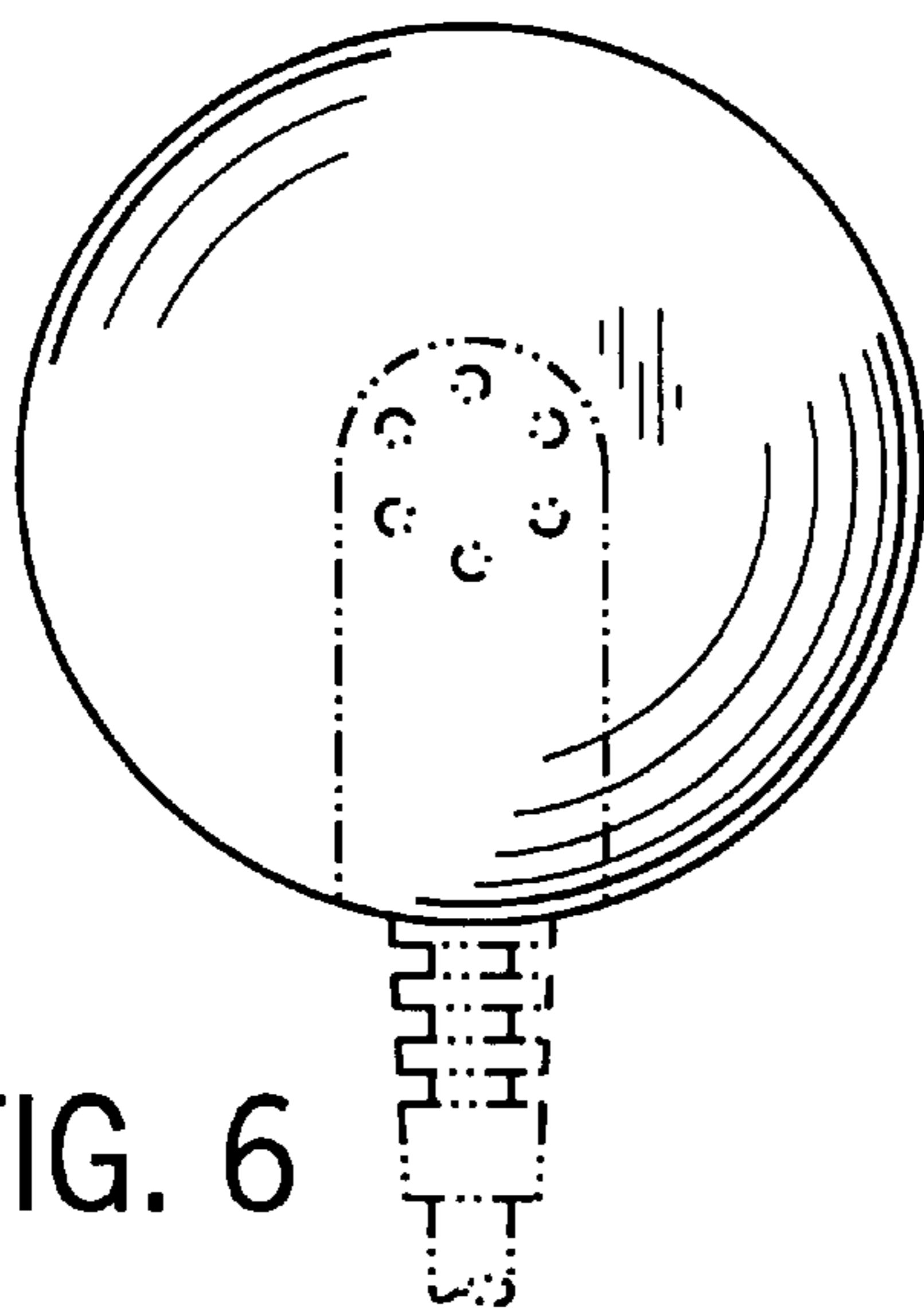


FIG. 6