



US00D435034S

United States Patent [19] Tejima

[11] **Patent Number: Des. 435,034**

[45] **Date of Patent: ** Dec. 12, 2000**

[54] **COMBINED AMPLIFIER AND RADIO RECEIVER**

D. 385,278 10/1997 Sato D14/168
5,650,891 7/1997 Thayne et al. 369/77.2 X

[75] Inventor: **Keisuke Tejima**, Tokyo, Japan

[73] Assignee: **Sony Corporation**, Japan

[**] Term: **14 Years**

[21] Appl. No.: **29/105,408**

[22] Filed: **May 24, 1999**

[51] **LOC (7) Cl.** **14-01**

[52] **U.S. Cl.** **D14/168; D14/188; D14/198**

[58] **Field of Search** D14/124, 135,
D14/136, 156, 162, 164, 168, 188, 193-198,
265; 455/344, 347, 350, 351

[56] **References Cited**

U.S. PATENT DOCUMENTS

D. 310,837 9/1990 Takimoto D14/156 X
D. 316,716 5/1991 Nagata D14/188
D. 341,832 11/1993 Ito et al. D14/198

OTHER PUBLICATIONS

Sony Catalog "91", pp. 115 & 117, (Mar. 1999).

Primary Examiner—Nanda Bondade

Attorney, Agent, or Firm—Rader, Fishman & Grauer

[57] **CLAIM**

The ornamental design for a combined amplifier and radio receiver, as shown and described.

DESCRIPTION

FIG. 1 is a perspective view of a combined amplifier and radio receiver showing my new design; FIG. 2 is a top plan view thereof; FIG. 3 is a bottom plan view thereof; FIG. 4 is a left side elevational view thereof; FIG. 5 is a right side elevational view thereof; FIG. 6 is a front elevational view thereof; and, FIG. 7 is a rear elevational view thereof.

1 Claim, 4 Drawing Sheets

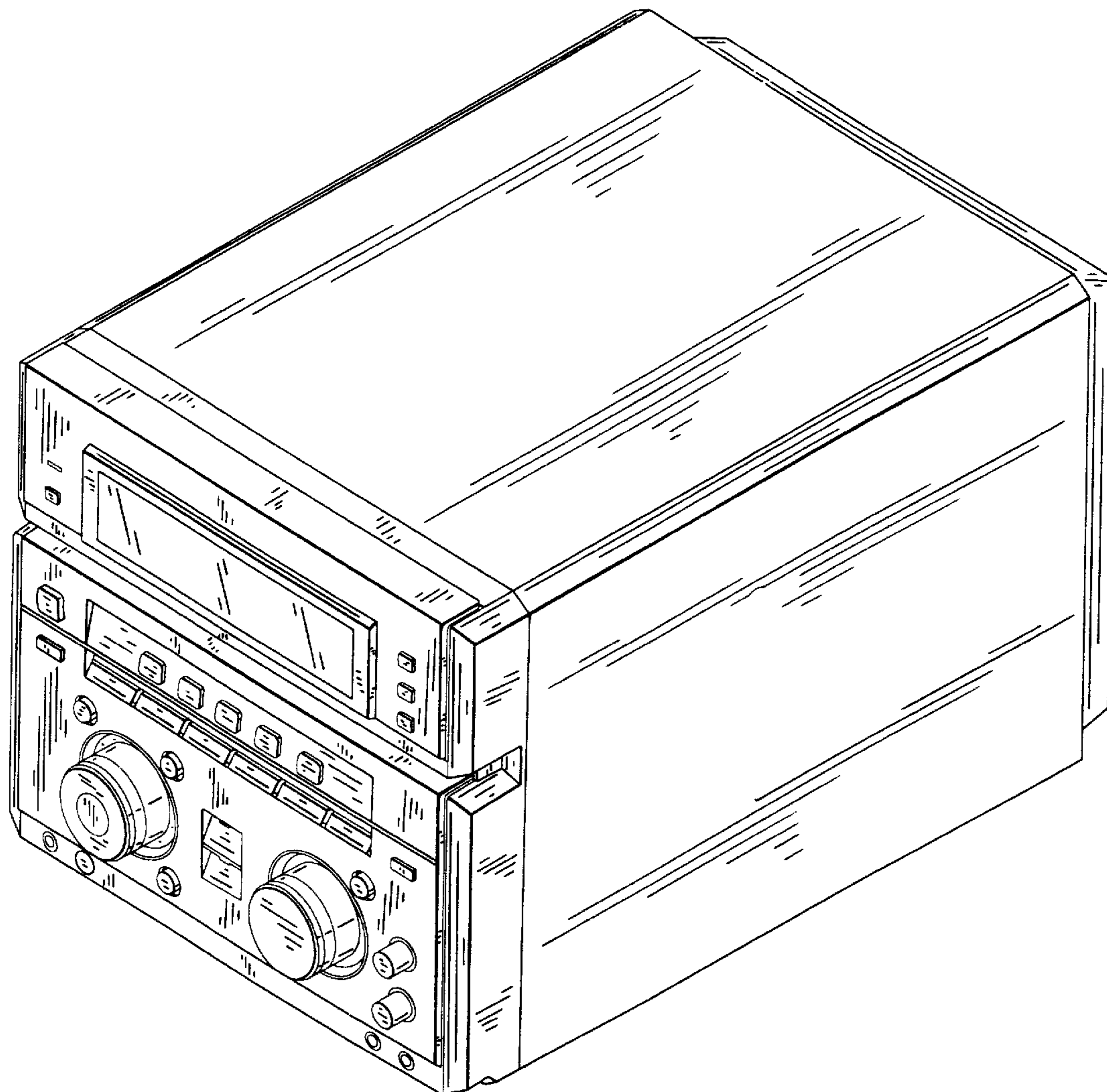


FIG. 1

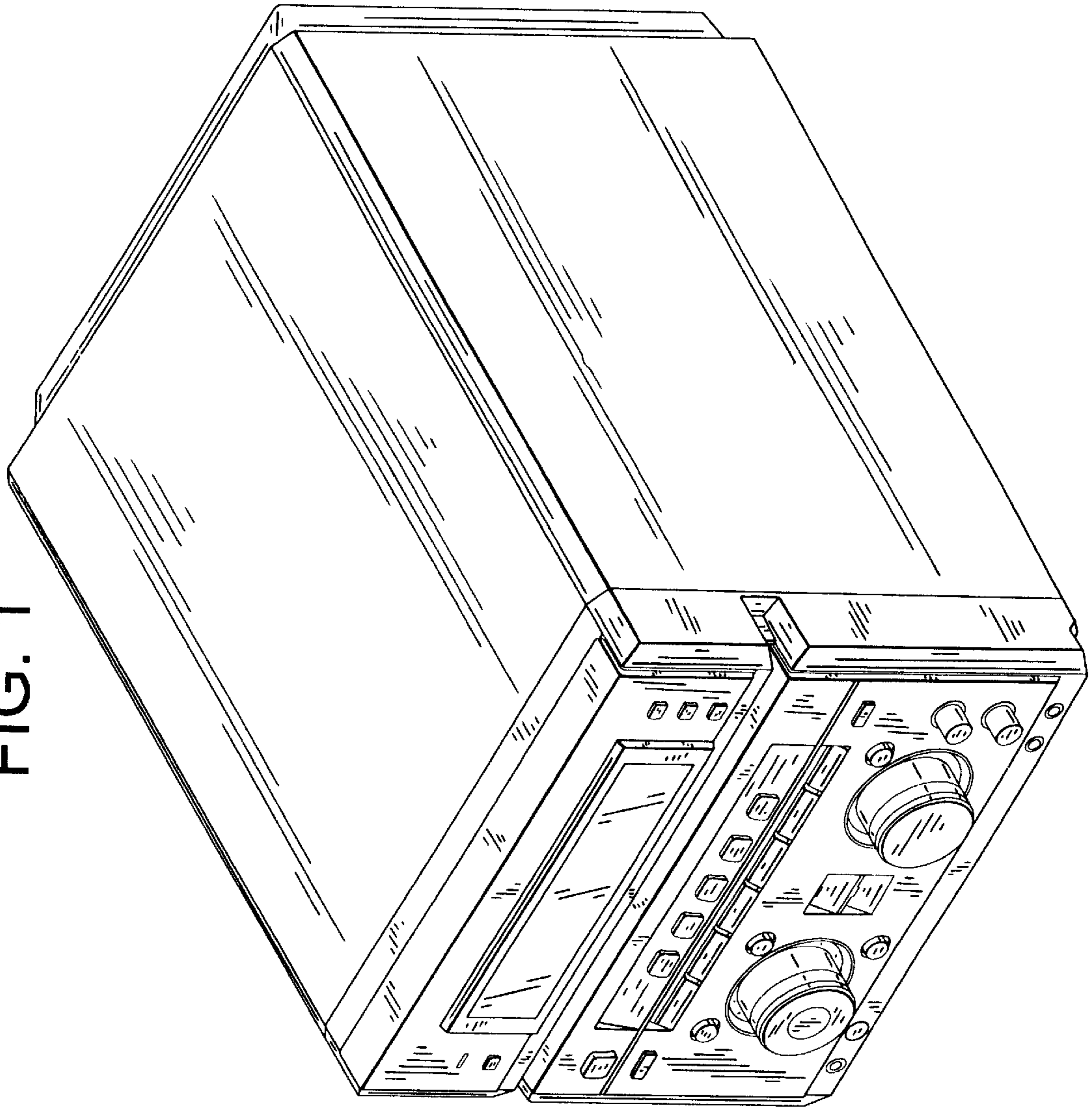


FIG. 3

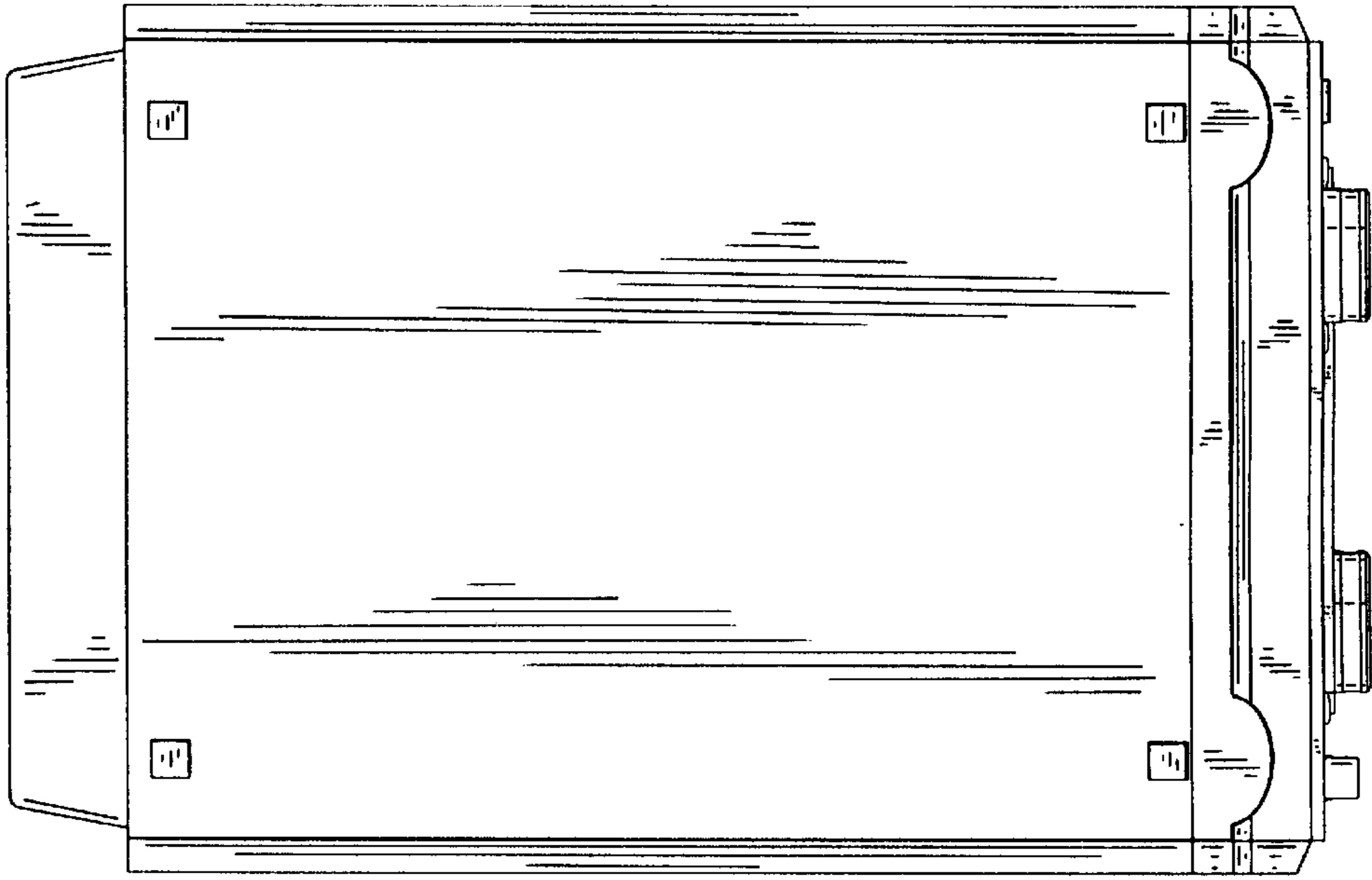


FIG. 2

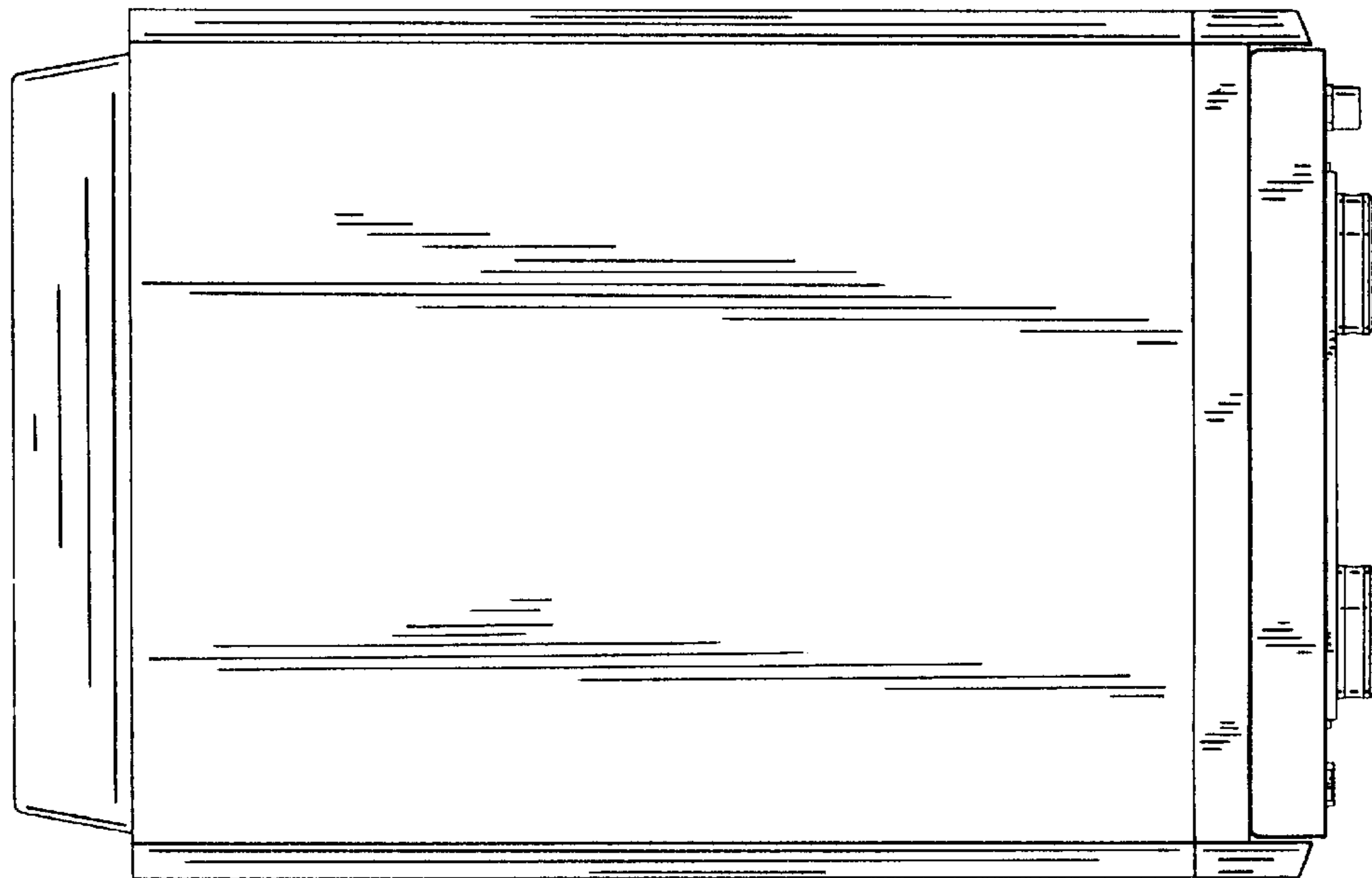


FIG. 4

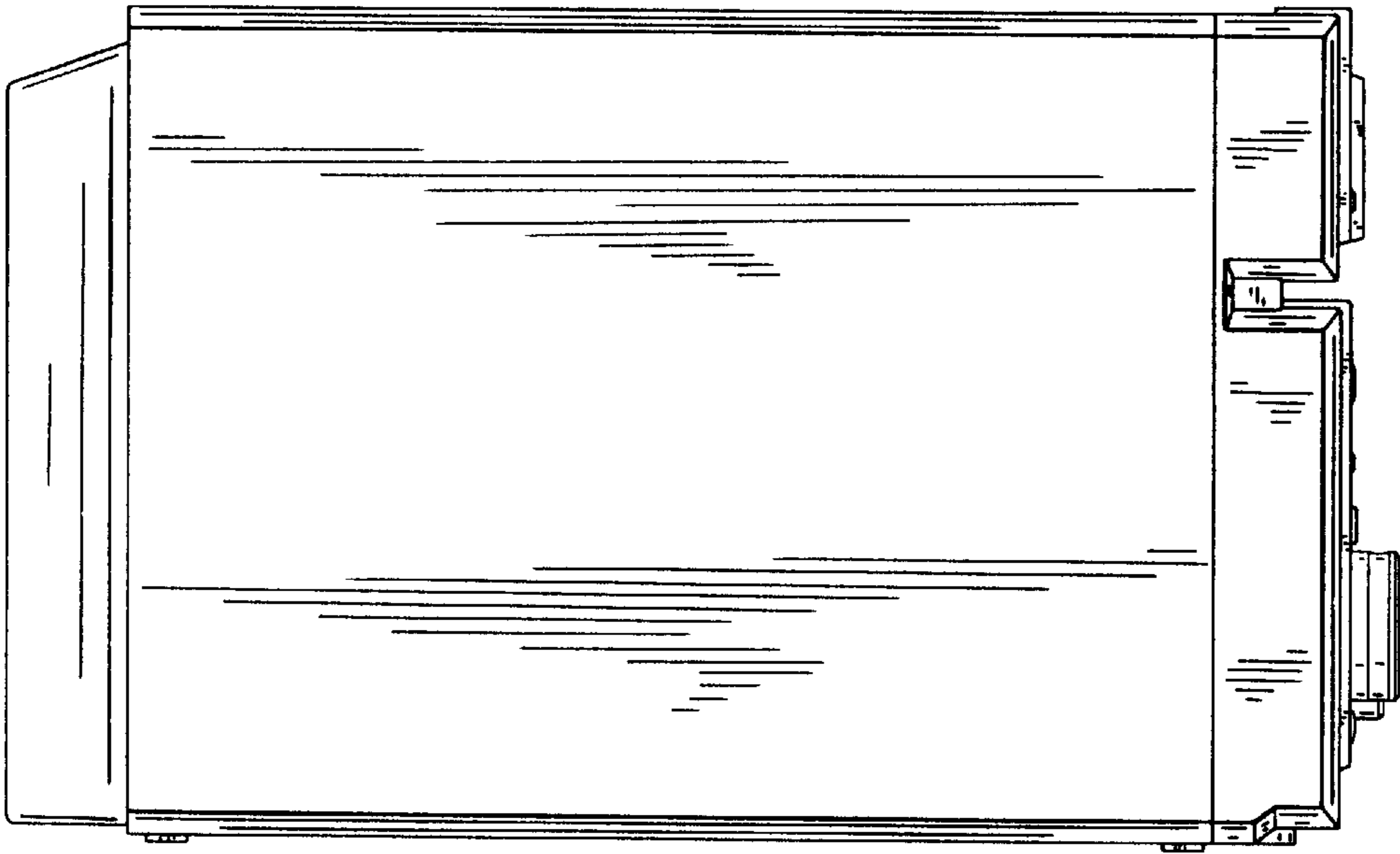


FIG. 5

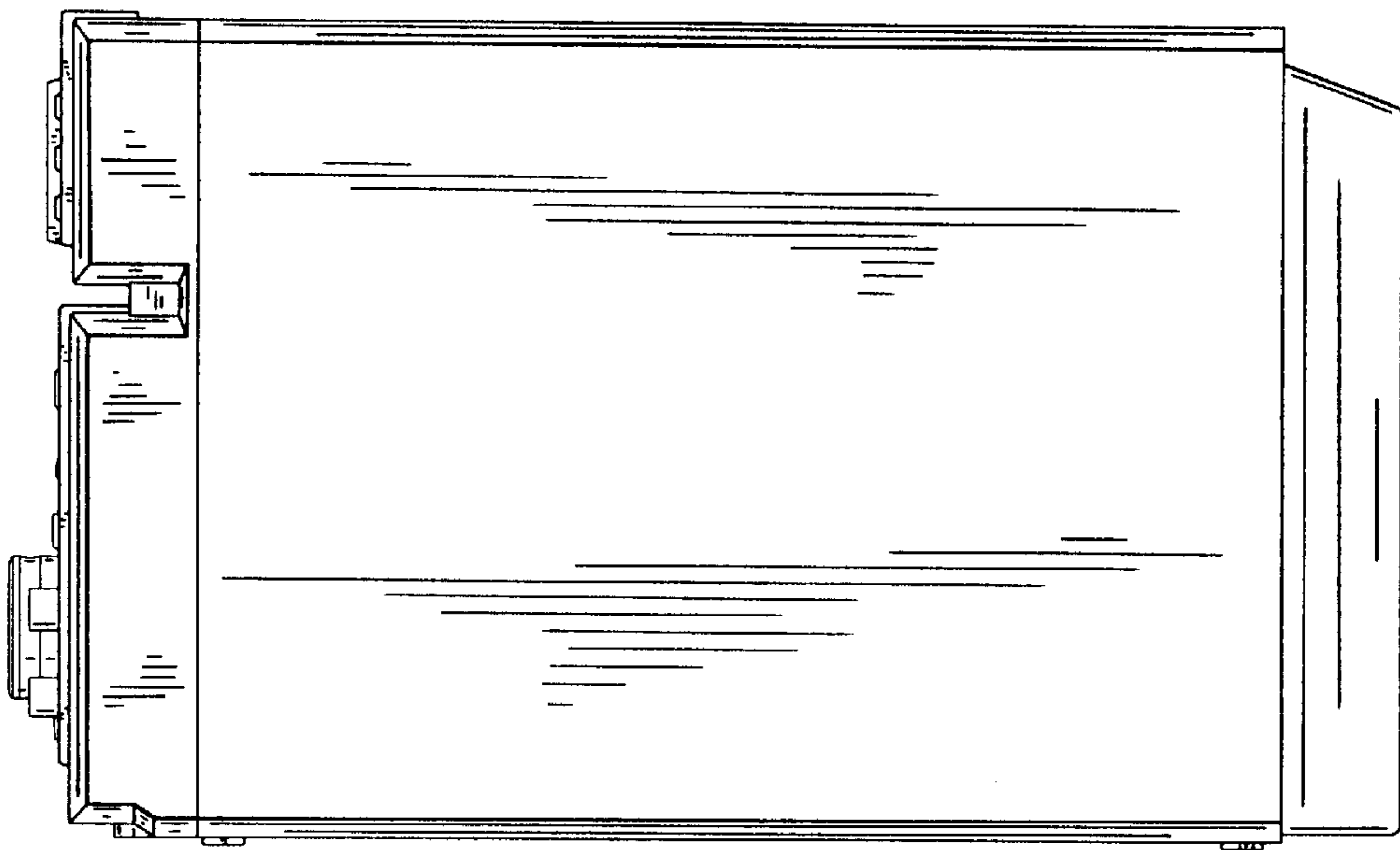


FIG. 7

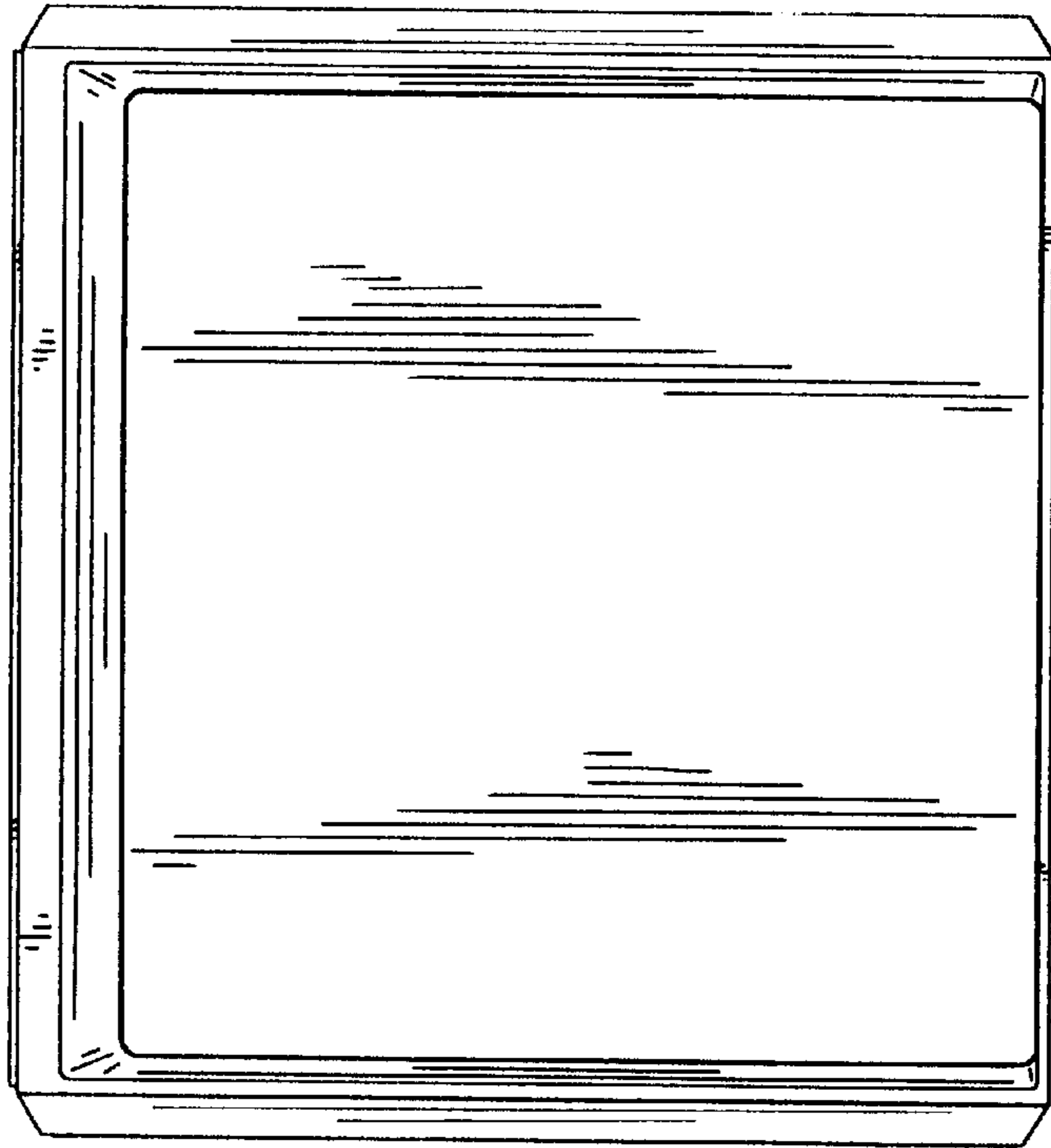


FIG. 6

