



US00D435029S

United States Patent [19]

Zoiss et al.

[11] **Patent Number: Des. 435,029**

[45] **Date of Patent: ** Dec. 12, 2000**

[54] **LINESMAN TEST SET**

5,513,259 4/1996 Pettit 379/429
5,923,750 7/1999 Enting et al. 379/428

[75] Inventors: **Edward J. Zoiss**, Moorpark; **Steven Coker**, Newbury Park, both of Calif.

Primary Examiner—Antoine Duval Davis
Attorney, Agent, or Firm—Harry M. Fleck

[73] Assignee: **Harris Corporation**, Melbourne, Fla.

[57] **CLAIM**

[**] Term: **14 Years**

The ornamental design for linesman test set, as shown and described.

[21] Appl. No.: **29/101,856**

DESCRIPTION

[22] Filed: **Mar. 12, 1999**

[51] **LOC (7) Cl.** **14-03**

[52] **U.S. Cl.** **D14/147; D10/78**

[58] **Field of Search** D10/78; D14/147,
D14/148, 137, 138, 140, 142, 240, 248;
379/428, 27, 29, 419, 420, 440, 433, 434,
429; 455/89, 90

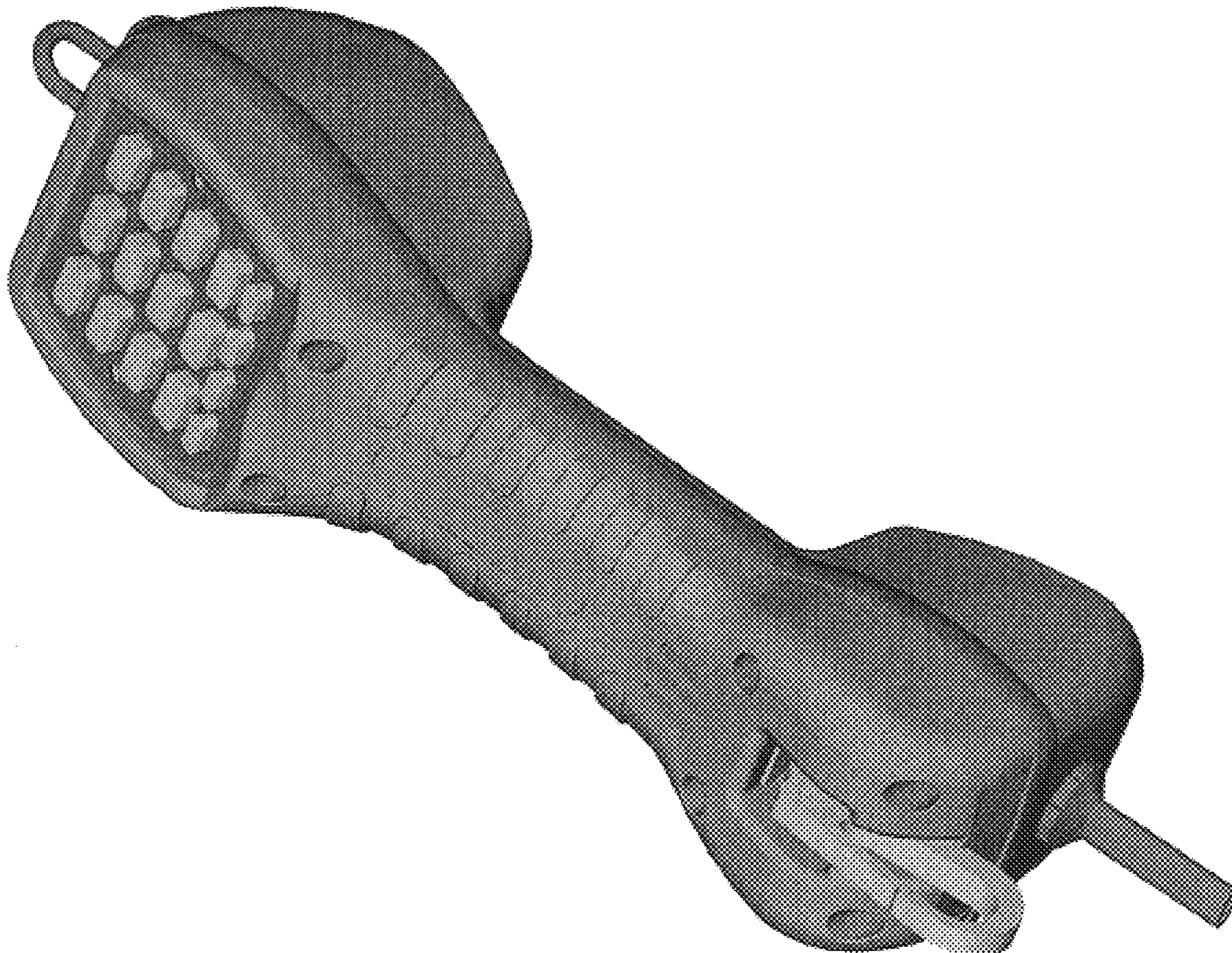
FIG. 1 is a perspective view of the linesman test set, looking toward the top and right sides;
FIG. 2 is a perspective view, looking toward the bottom and right sides;
FIG. 3 is a top plan view;
FIG. 4 is a bottom plan view;
FIG. 5 is an elevational view of the left side;
FIG. 6 is an elevational view of the right side;
FIG. 7 is an elevational view of the lower end; and,
FIG. 8 is an elevational view of the upper end.

[56] **References Cited**

U.S. PATENT DOCUMENTS

D. 376,145 12/1996 Hathorn et al. D14/147

1 Claim, 8 Drawing Sheets



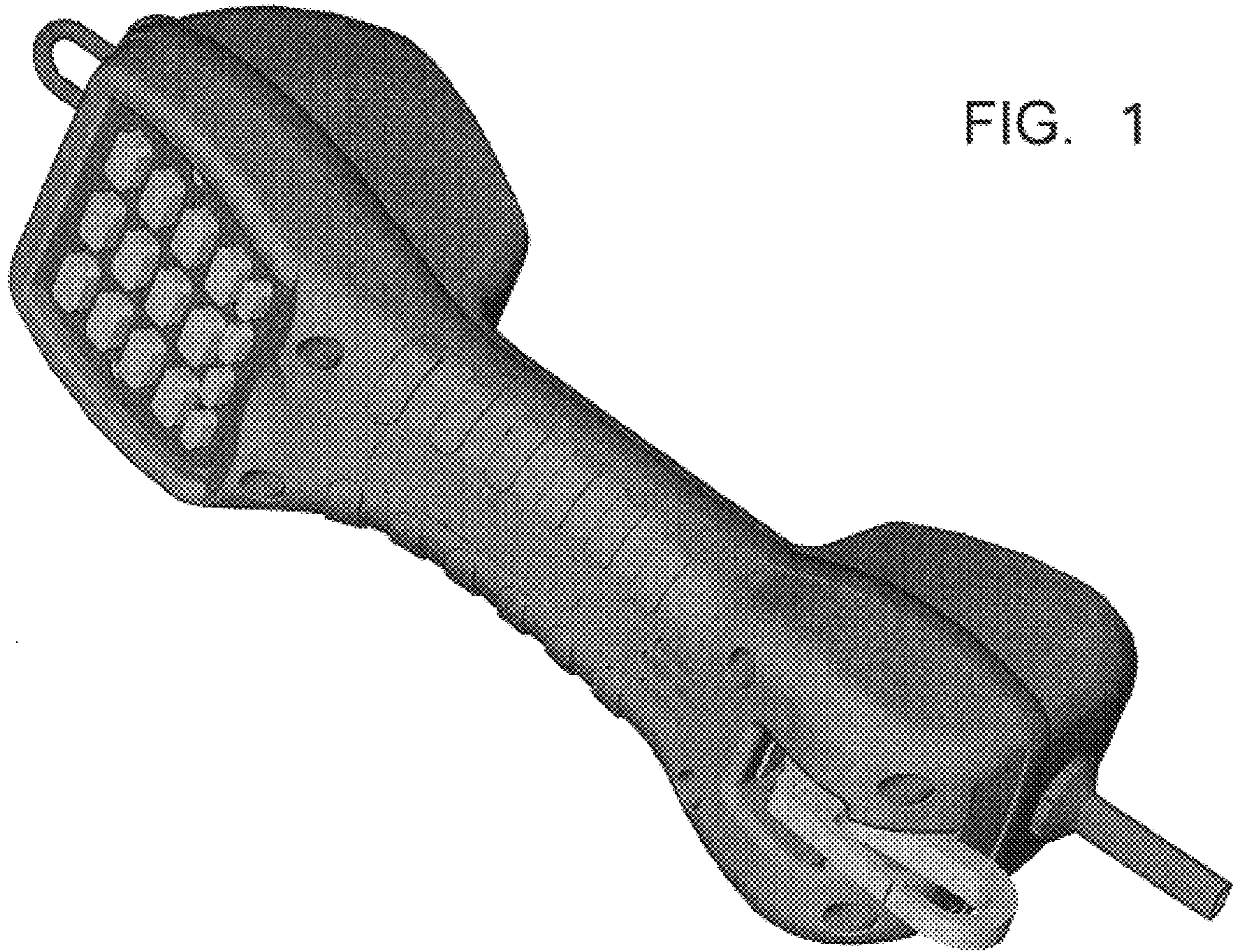


FIG. 1

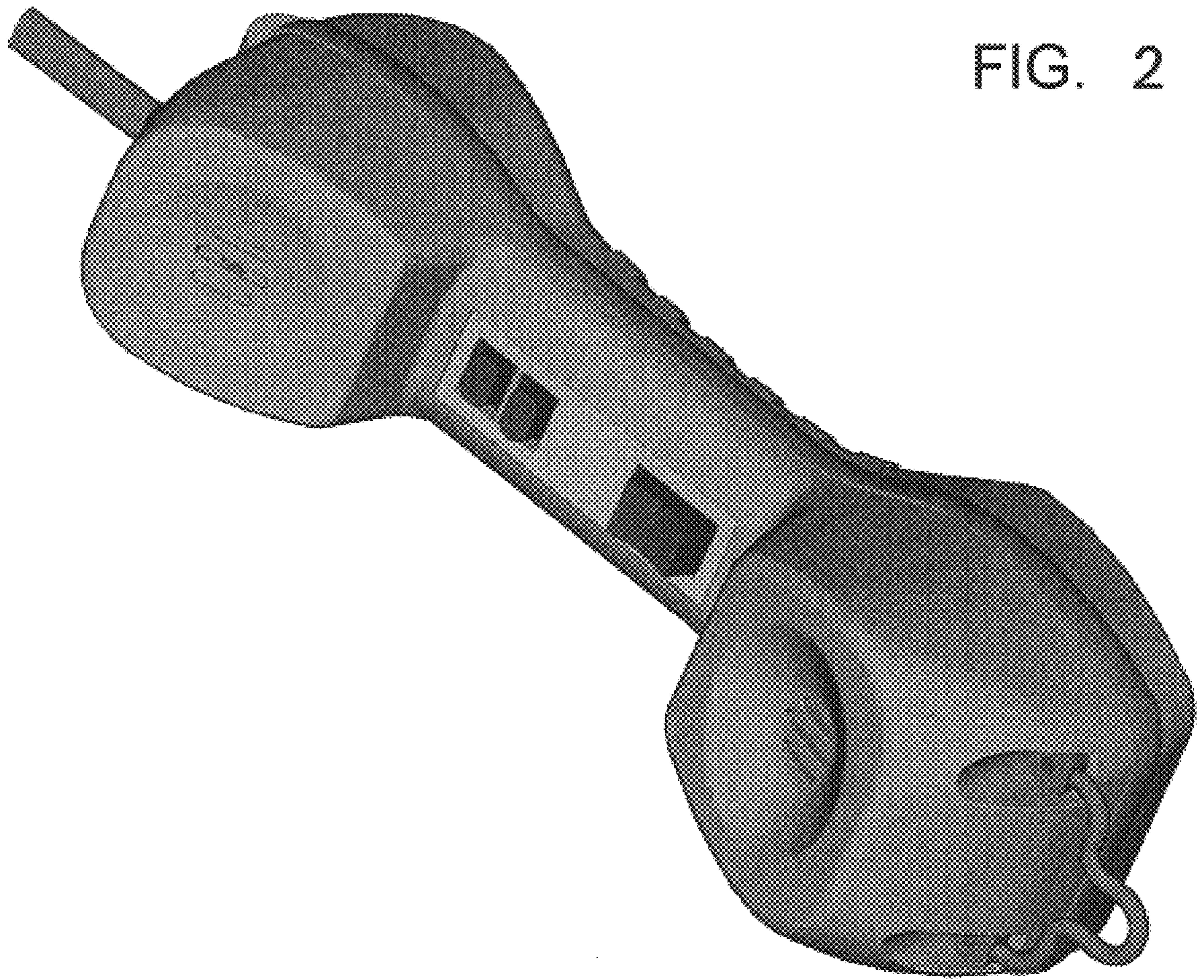


FIG. 2

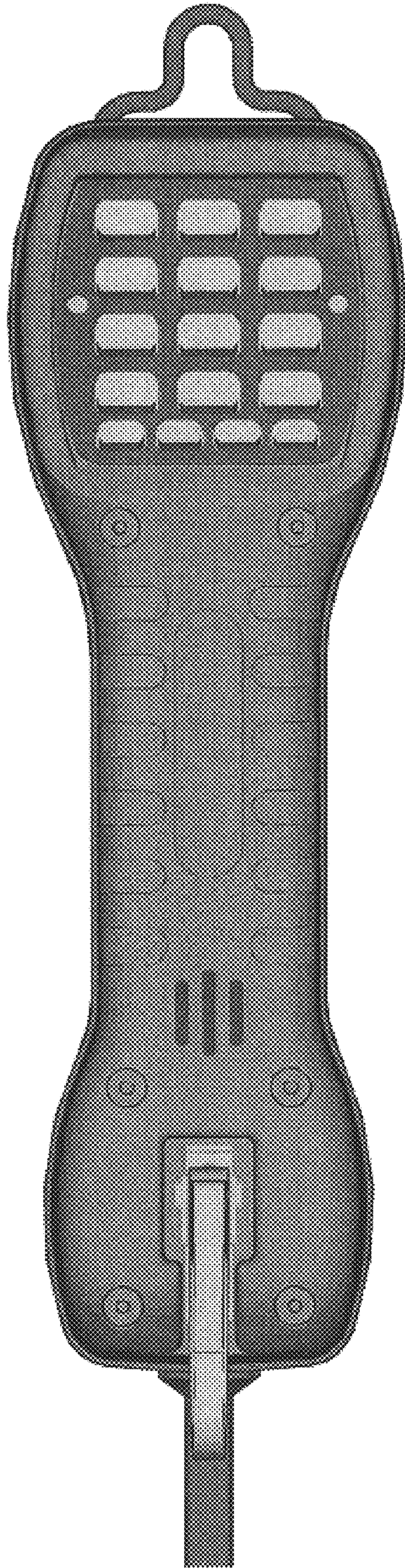


FIG. 3

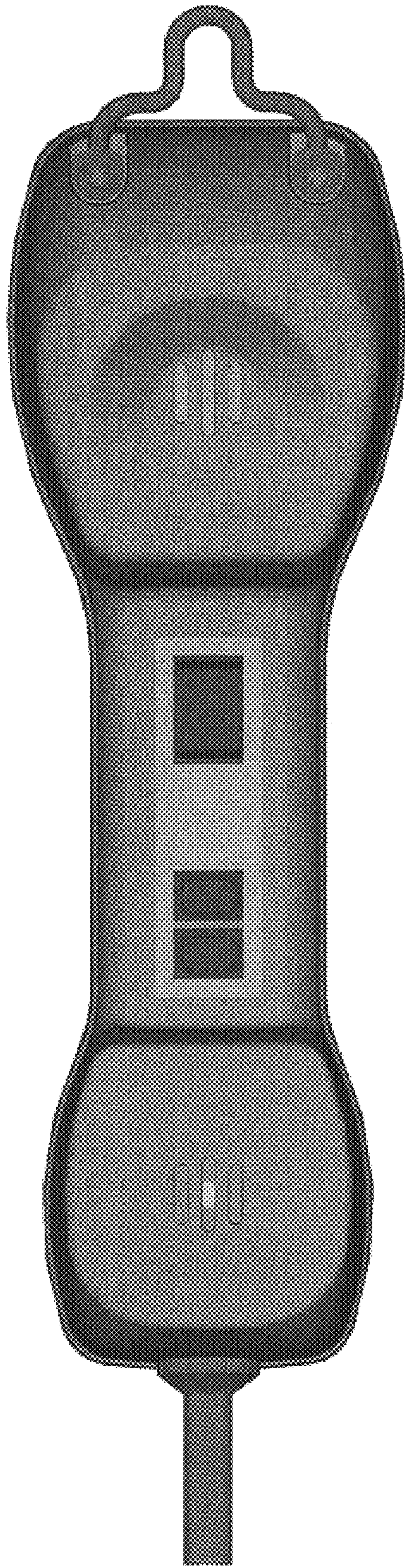


FIG. 4

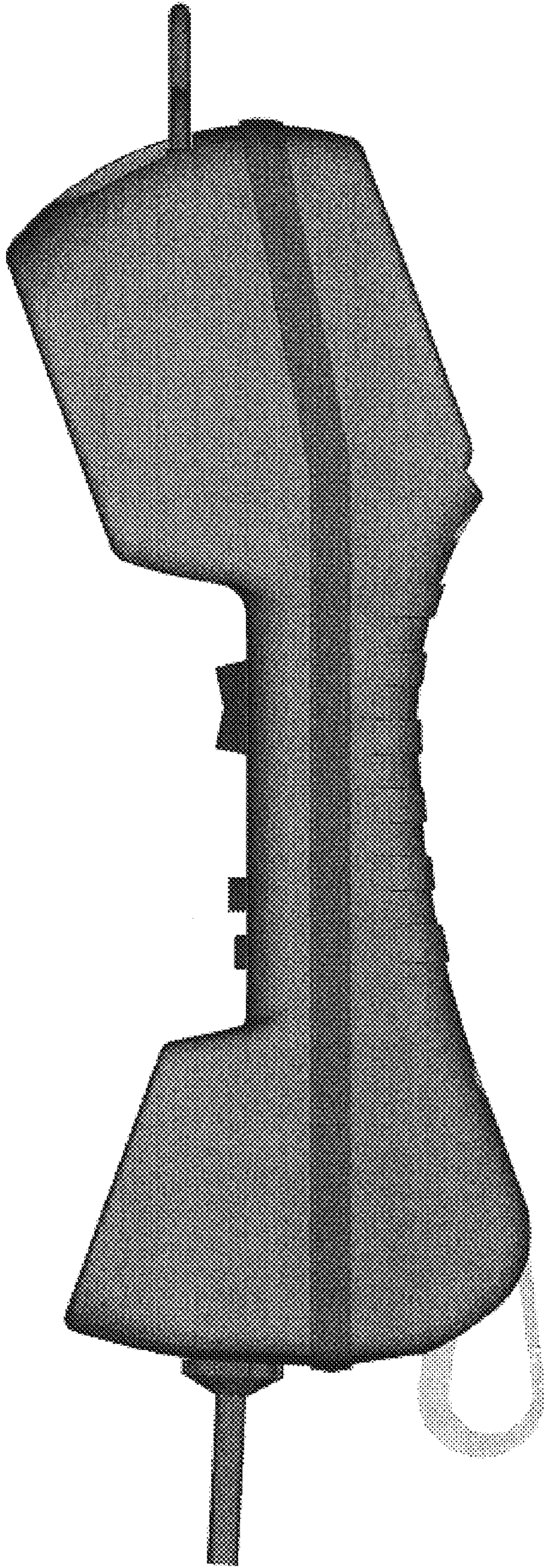


FIG. 5

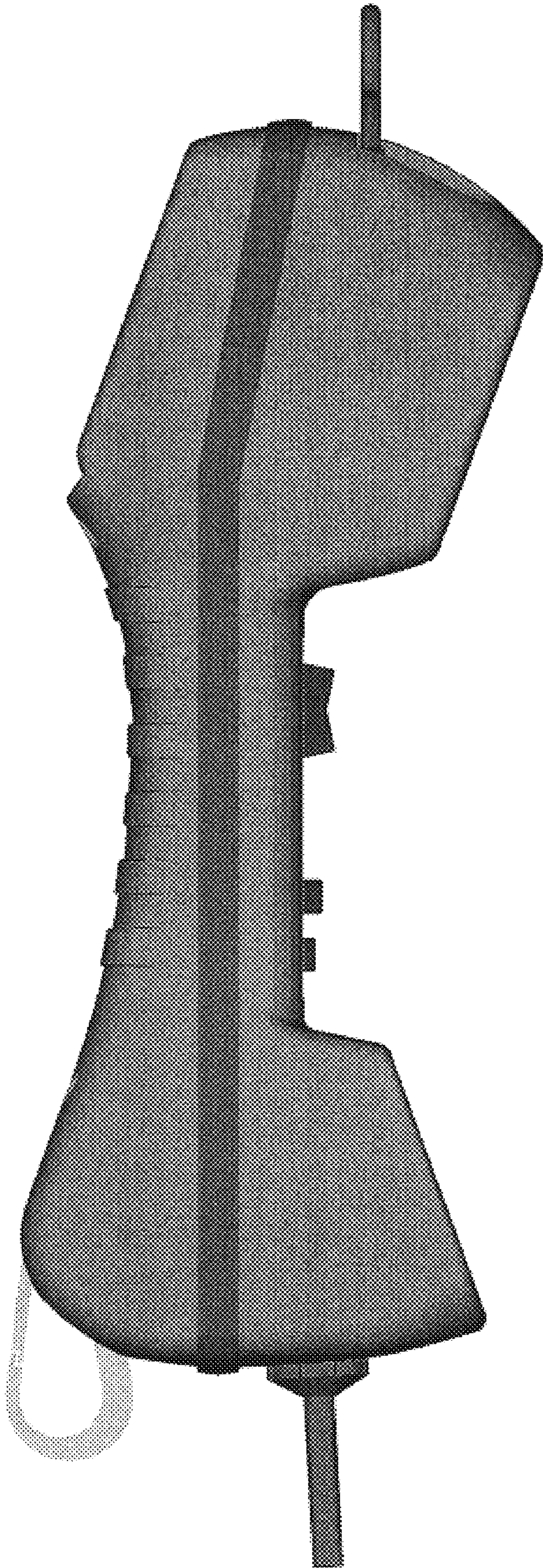


FIG. 6

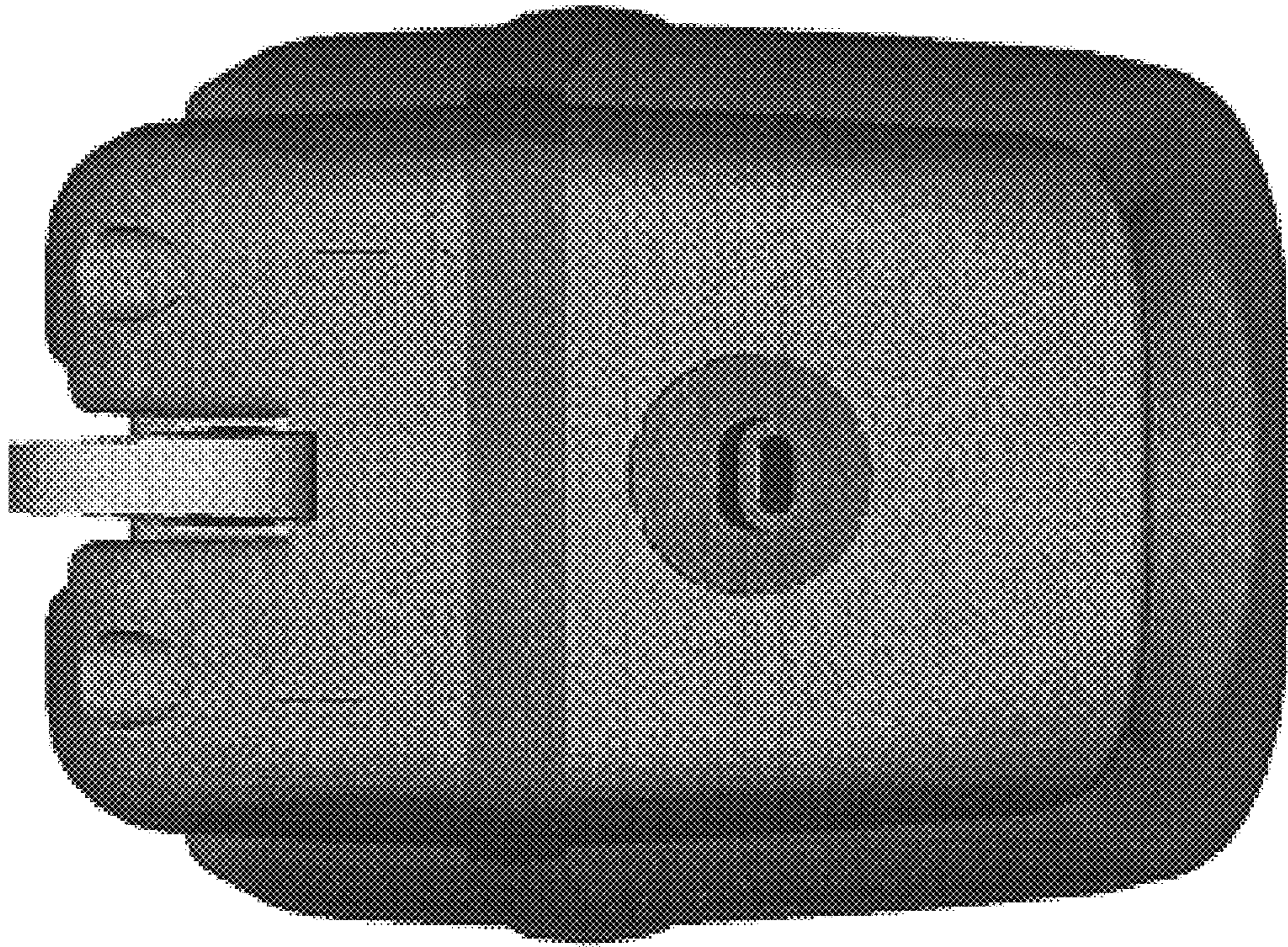


FIG. 7

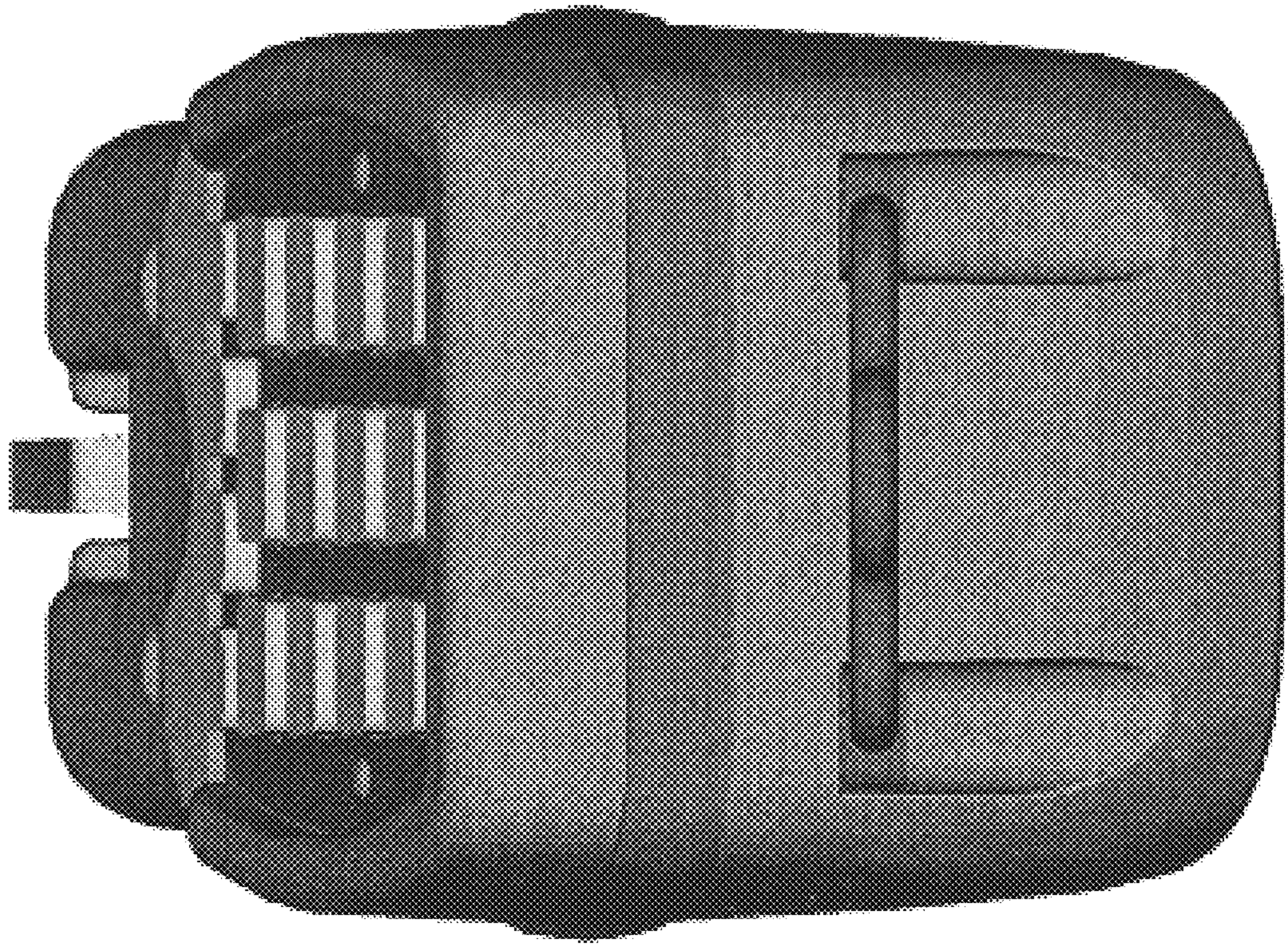


FIG. 8