



US00D435025S

**United States Patent** [19]  
**Sumita**

[11] **Patent Number: Des. 435,025**

[45] **Date of Patent: \*\* Dec. 12, 2000**

[54] **VIDEO TAPE RECORDER**

[75] Inventor: **Kaoru Sumita**, Tokyo, Japan

[73] Assignee: **Sony Corporation**, Japan

[\*\*] Term: **14 Years**

[21] Appl. No.: **29/104,624**

[22] Filed: **May 10, 1999**

[30] **Foreign Application Priority Data**

Nov. 9, 1998 [JP] Japan ..... 10-32080

[51] **LOC (7) Cl.** ..... **14-01**

[52] **U.S. Cl.** ..... **D14/135; D14/157**

[58] **Field of Search** ..... D14/124, 125,  
D14/135, 136, 156, 157, 160, 239; 386/46;  
369/75.1; 455/345, 348, 351

[56] **References Cited**

**U.S. PATENT DOCUMENTS**

- D. 311,394 10/1990 Shim ..... D14/135 X
- D. 321,512 11/1991 Kanari ..... D14/157
- D. 345,359 3/1994 Yamane ..... D14/157

**OTHER PUBLICATIONS**

Catalog "DSR Series", DSR-85P, DSR-80P, DSR-60P, DSR-30P, 4 sheets, Sony, (Mar. 1998).

Catalog "Digital Videocassette Recorder DSR-20P", 2 sheets, Sony, (Sep. 1998).

Catalog "High Definition Video System Digital HDVS", 2 sheets, Sony, (Nov. 1998).

*Primary Examiner*—Richelle Shelton

*Attorney, Agent, or Firm*—Rader, Fishman&Grauer

[57] **CLAIM**

The ornamental design for a video tape recorder, as shown and described.

**DESCRIPTION**

FIG. 1 is a perspective view of a video tape recorder showing my new design;

FIG. 2 is a top plan view thereof;

FIG. 3 is a left side elevational view thereof;

FIG. 4 is a front elevational view thereof;

FIG. 5 is a bottom plan view thereof;

FIG. 6 is a right side elevational view thereof; and,

FIG. 7 is a rear elevational view thereof.

**1 Claim, 3 Drawing Sheets**

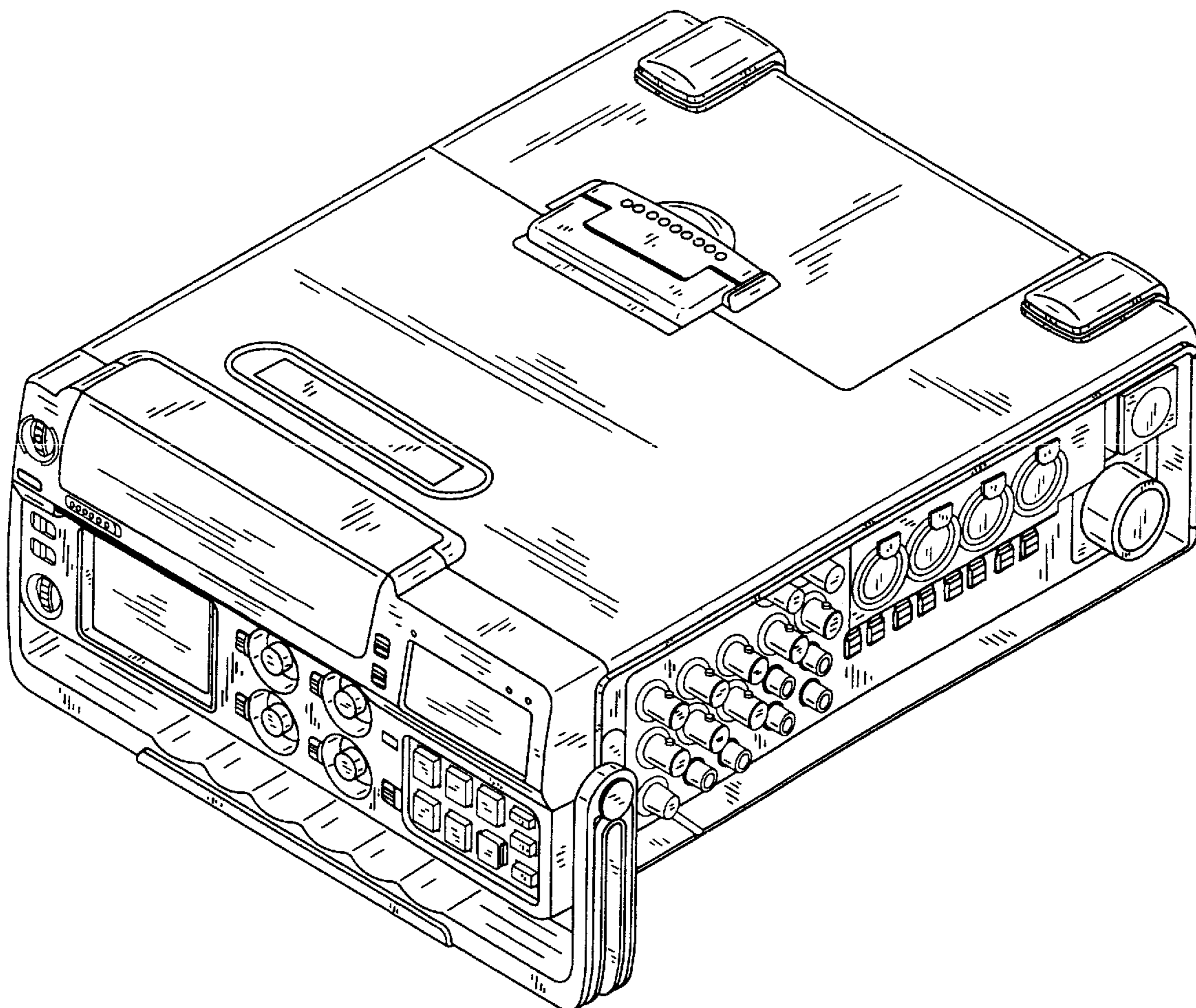


FIG. 1

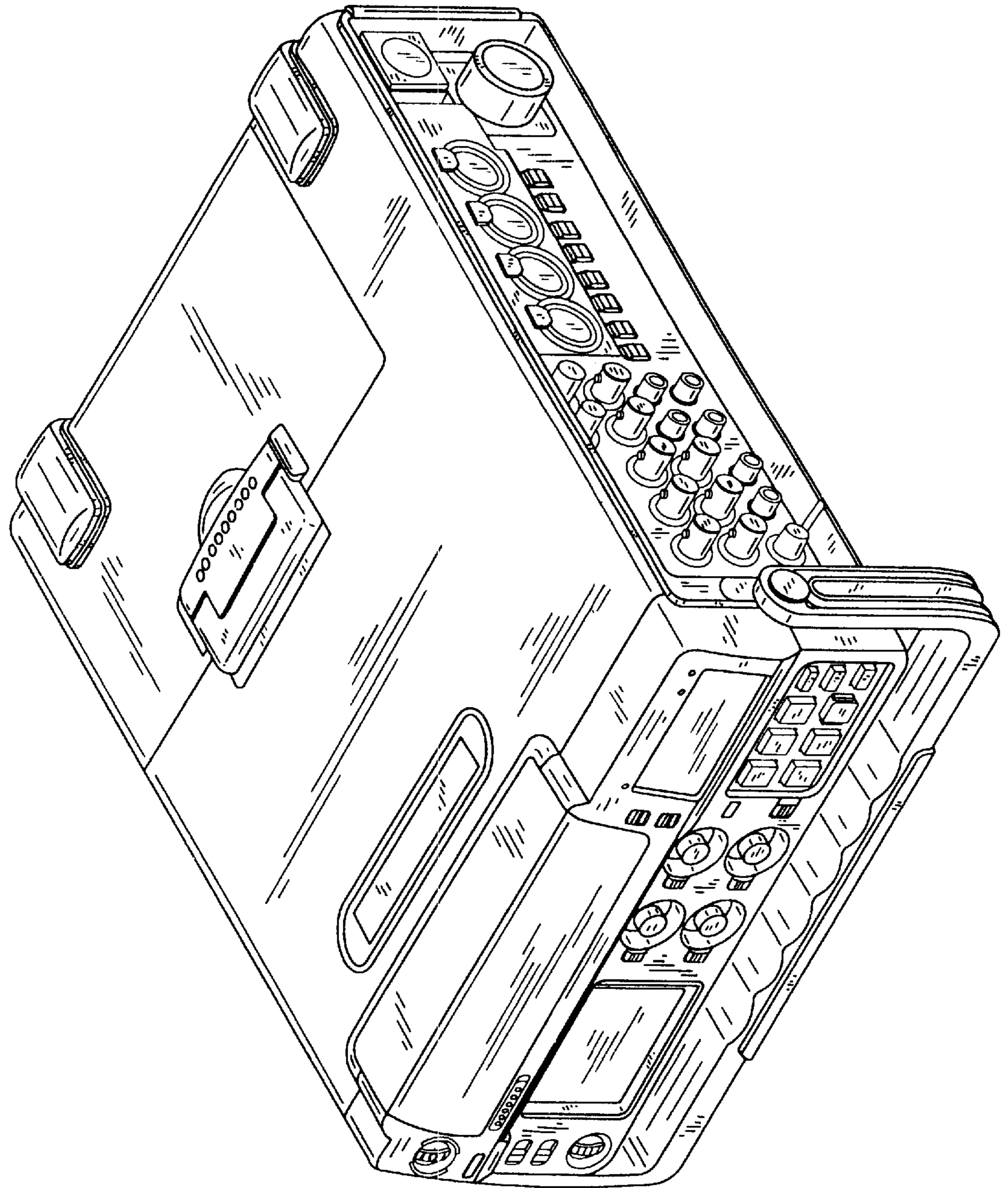


FIG. 2

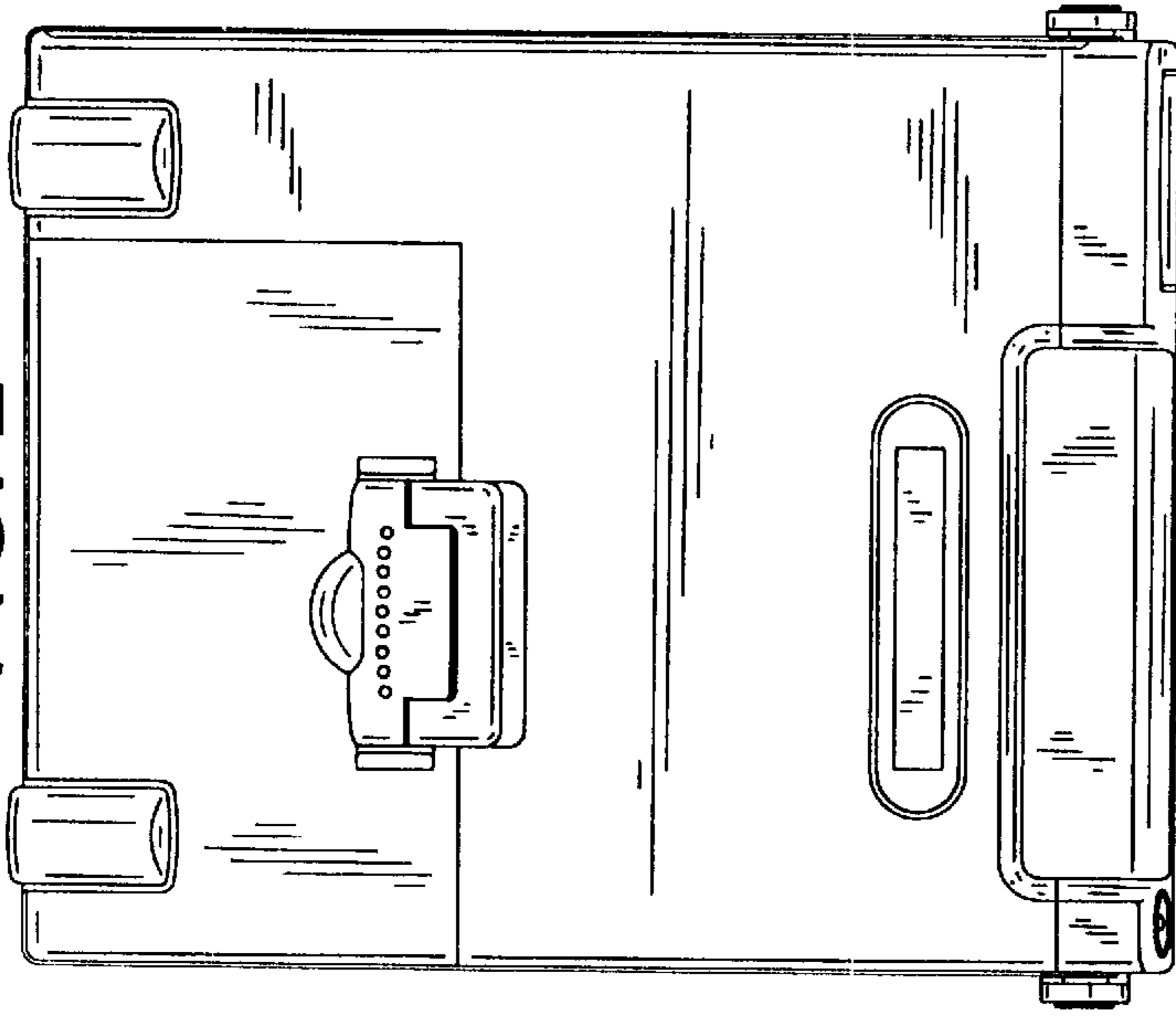


FIG. 4

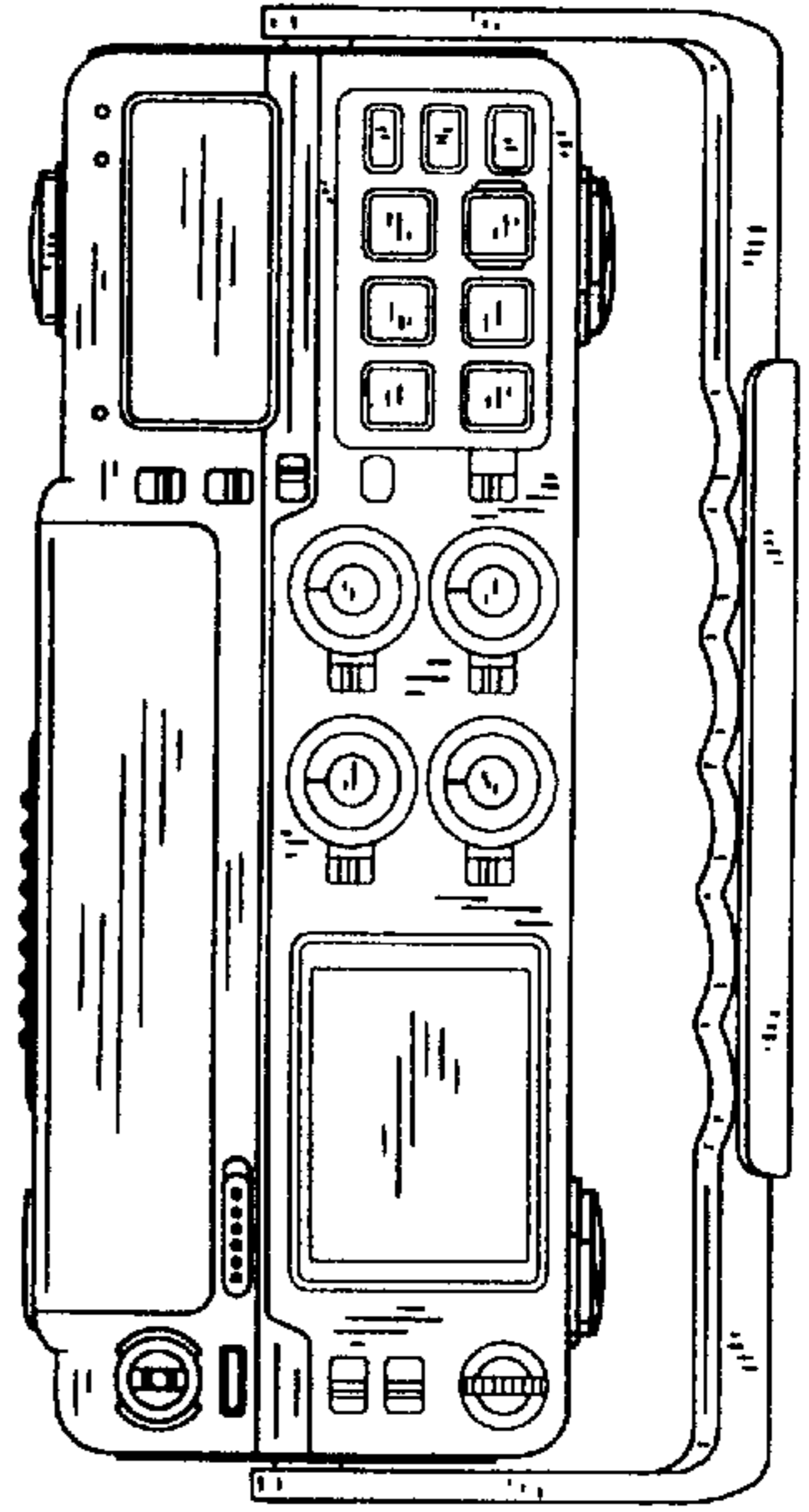


FIG. 3

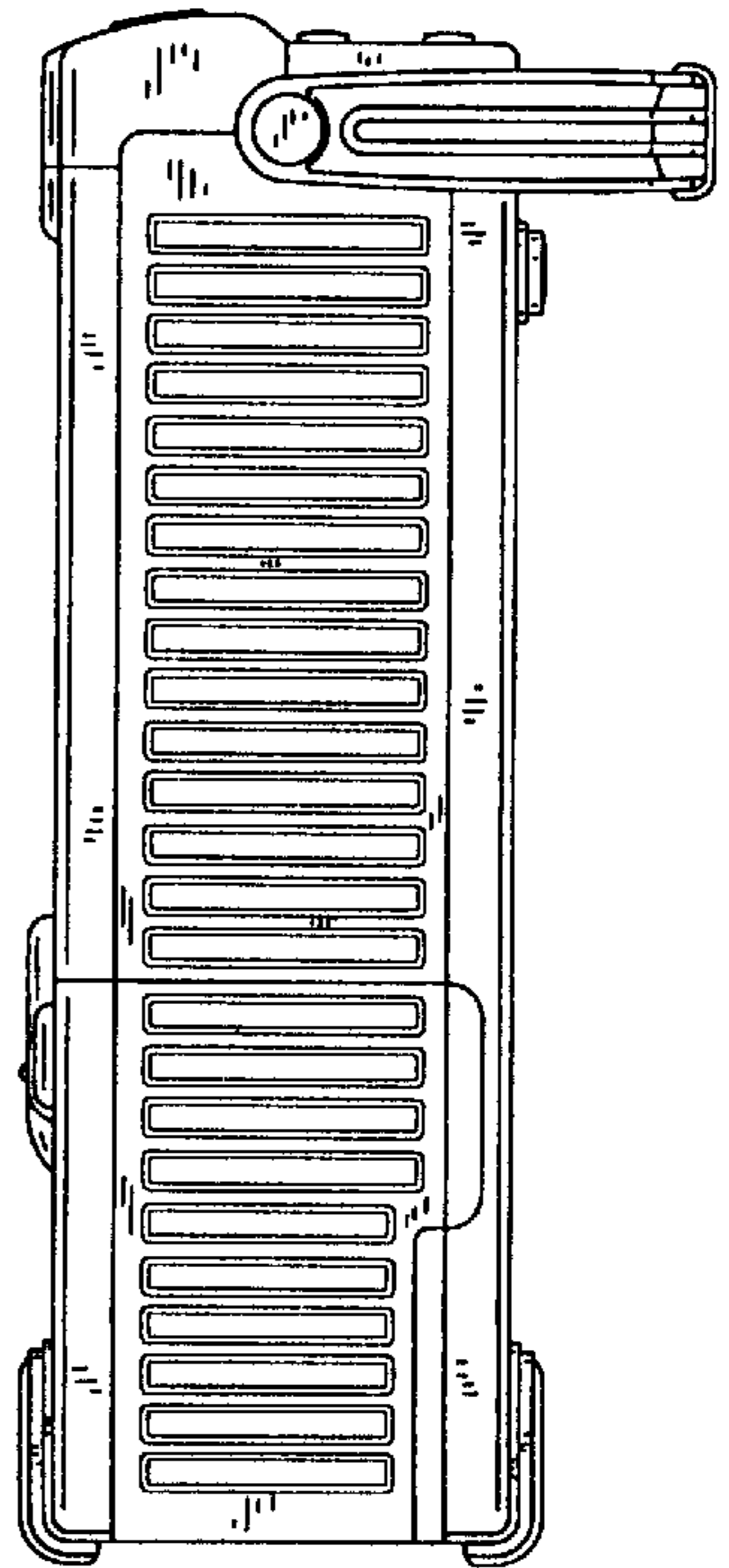


FIG. 6

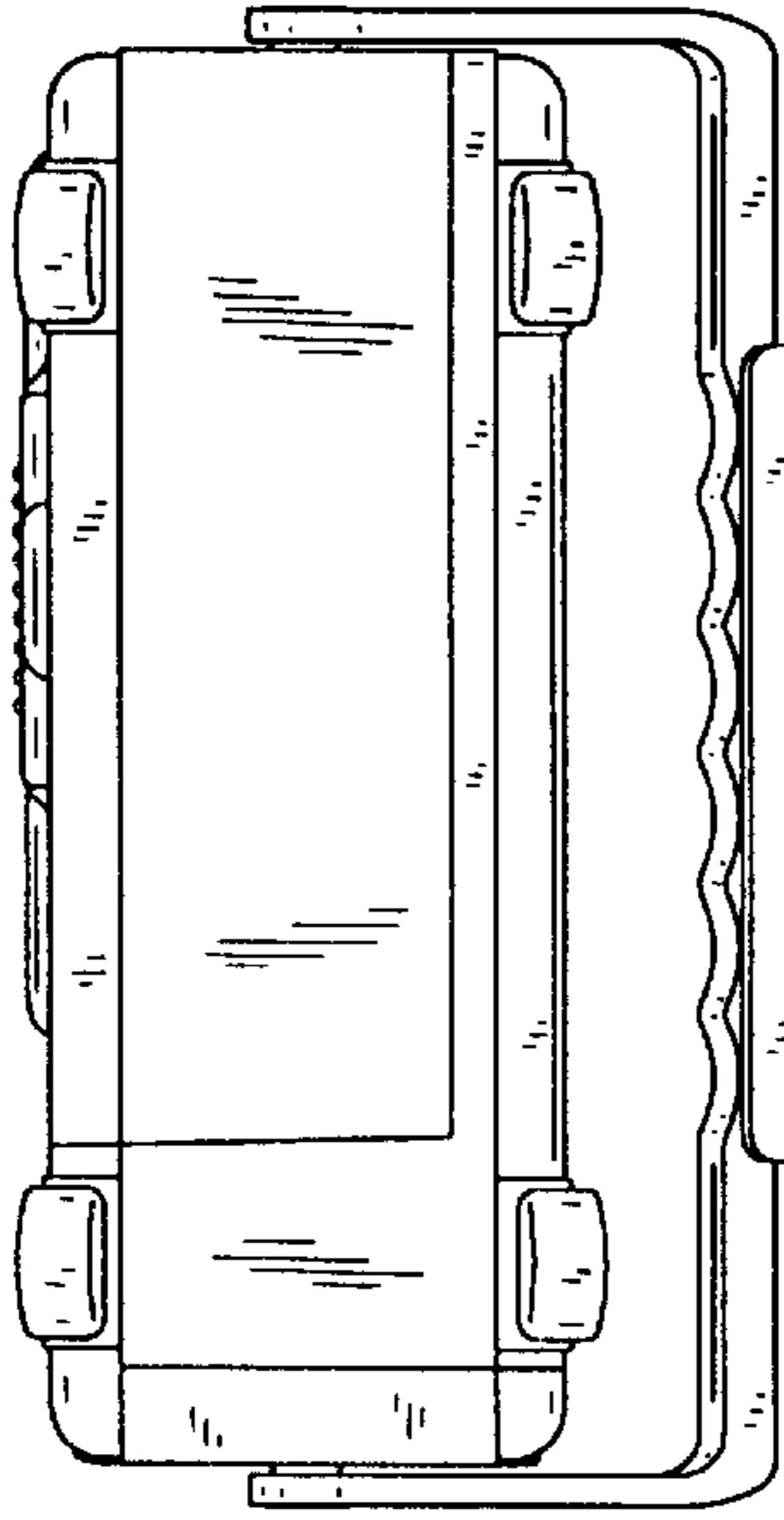


FIG. 7

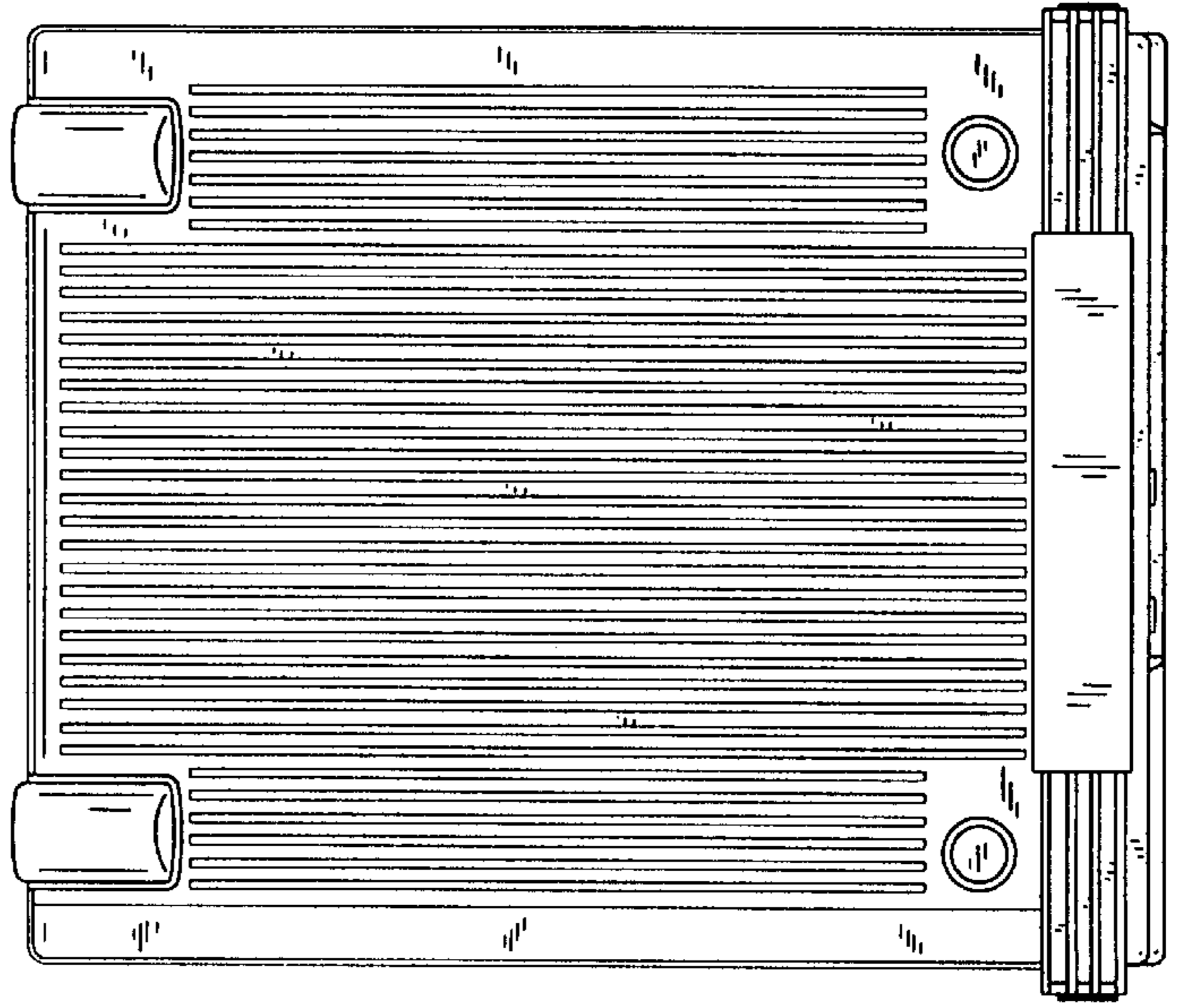


FIG. 5

