



US00D435021S

United States Patent [19]

Davis et al.

[11] Patent Number: Des. 435,021

[45] Date of Patent: ** Dec. 12, 2000

[54] CONTROLLER FRONT FACE

[75] Inventors: **Ronald Davis**, Eules; **Laura Lewis**, Lipan; **Alvin Slade**, Forest Hill, all of Tex.

[73] Assignee: **Traulsen & Company, Inc.**, Fort Worth, Tex.

[**] Term: **14 Years**

[21] Appl. No.: **29/122,051**

[22] Filed: **Apr. 14, 2000**

Related U.S. Application Data

[62] Division of application No. 29/105,211, May 20, 1999.

[51] **LOC (7) Cl.** **13-03**

[52] **U.S. Cl.** **D13/162**

[58] **Field of Search** D13/162, 168; 323/318; 361/600, 622, 625, 627, 680, 681

[56] References Cited

U.S. PATENT DOCUMENTS

D. 272,436 1/1984 Trabucchi et al. .

- D. 290,707 7/1987 Allen et al. .
- D. 296,776 7/1988 Hansen et al. .
- D. 334,542 4/1993 Lowe et al. .
- D. 380,737 7/1997 Weir et al. .
- D. 393,808 4/1998 Lindsey et al. .
- D. 401,926 12/1998 Leman .
- D. 409,159 5/1999 Wein, Jr. .

Primary Examiner—Brian N. Vinson
Attorney, Agent, or Firm—Thompson Hine & Flory LLP

[57] CLAIM

The ornamental design for a controller front face, as shown and described.

DESCRIPTION

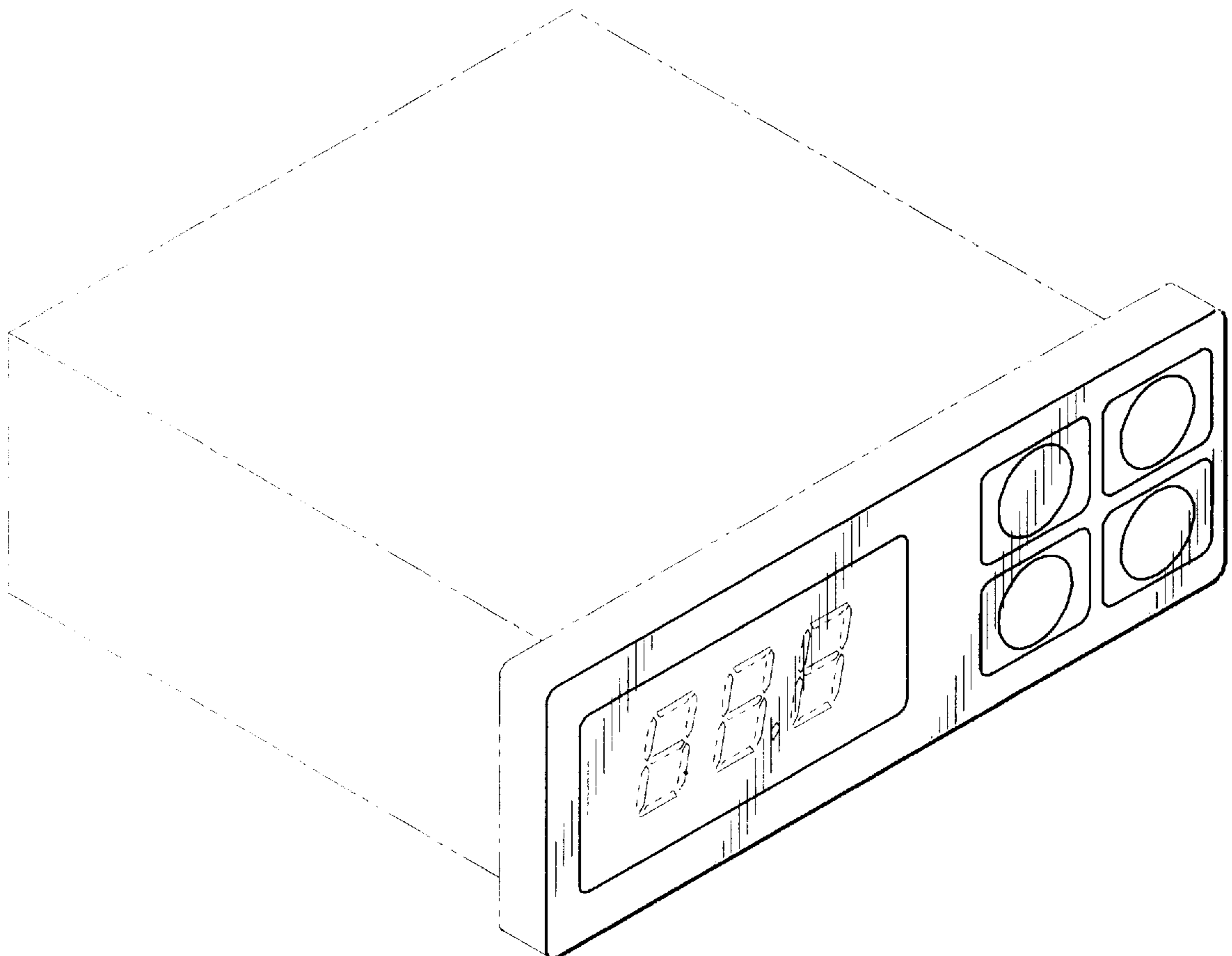
FIG. 1 is a perspective view of a controller with a controller front face according to a first embodiment of our new design;

FIG. 2 is a front elevational view of the controller front face of the first embodiment; and,

FIG. 3 is a front elevational view of a controller front face according to a second embodiment of our new design.

The broken line disclosure of the controller housing shown in FIG. 1 and the broken line disclosure of the digital display in FIGS. 1–3 is for illustrative purposes only and forms no part of the claimed design.

1 Claim, 2 Drawing Sheets



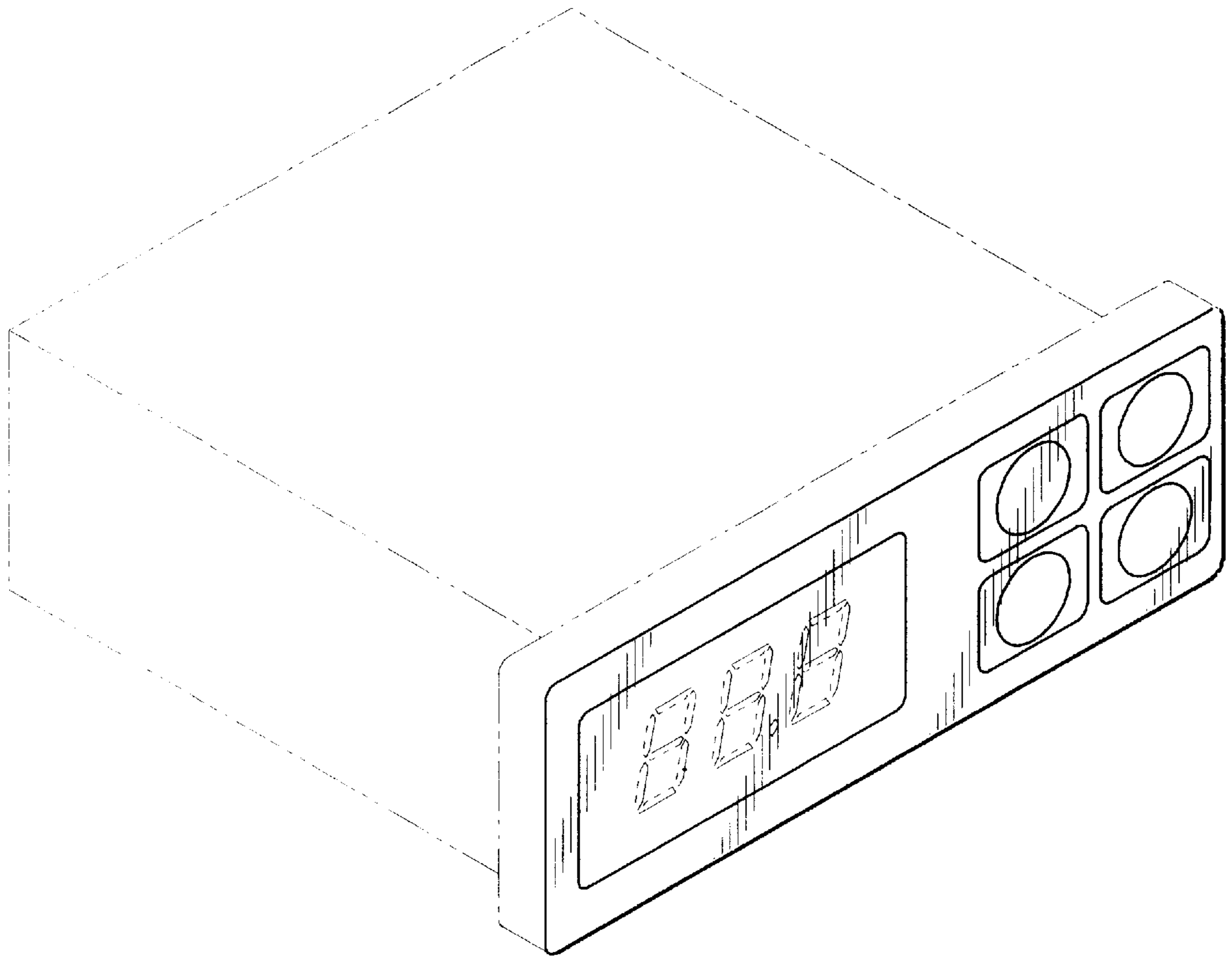


FIG. 1

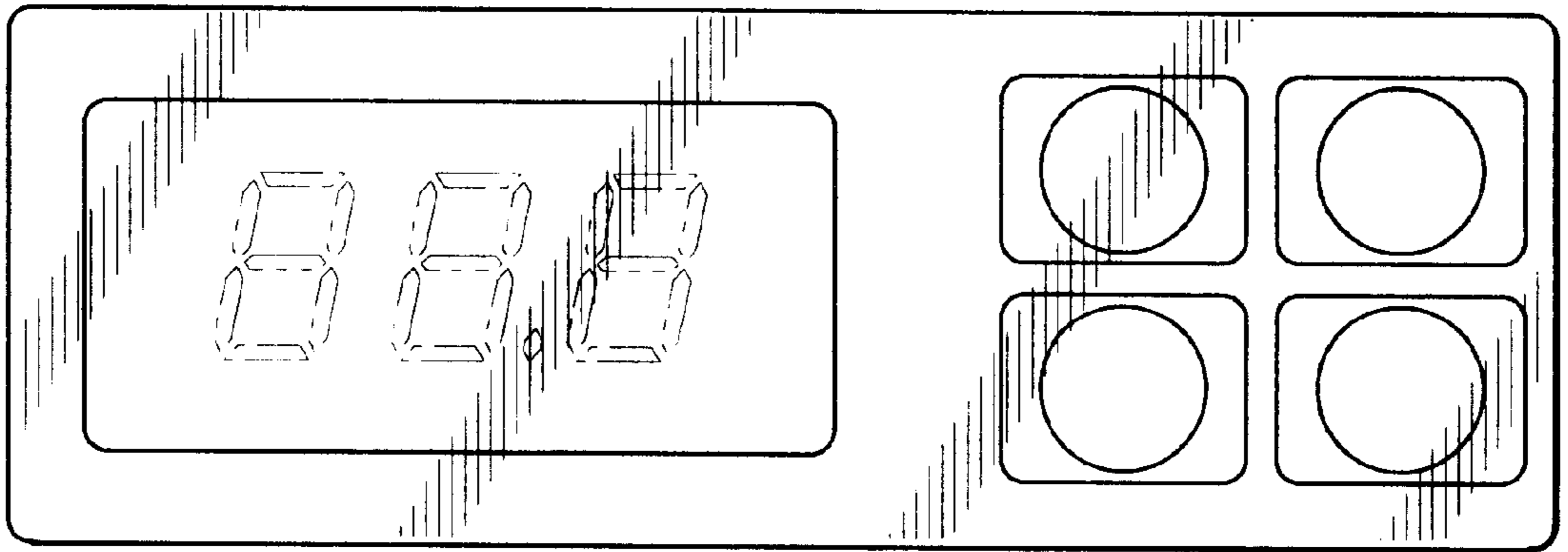


FIG. 2

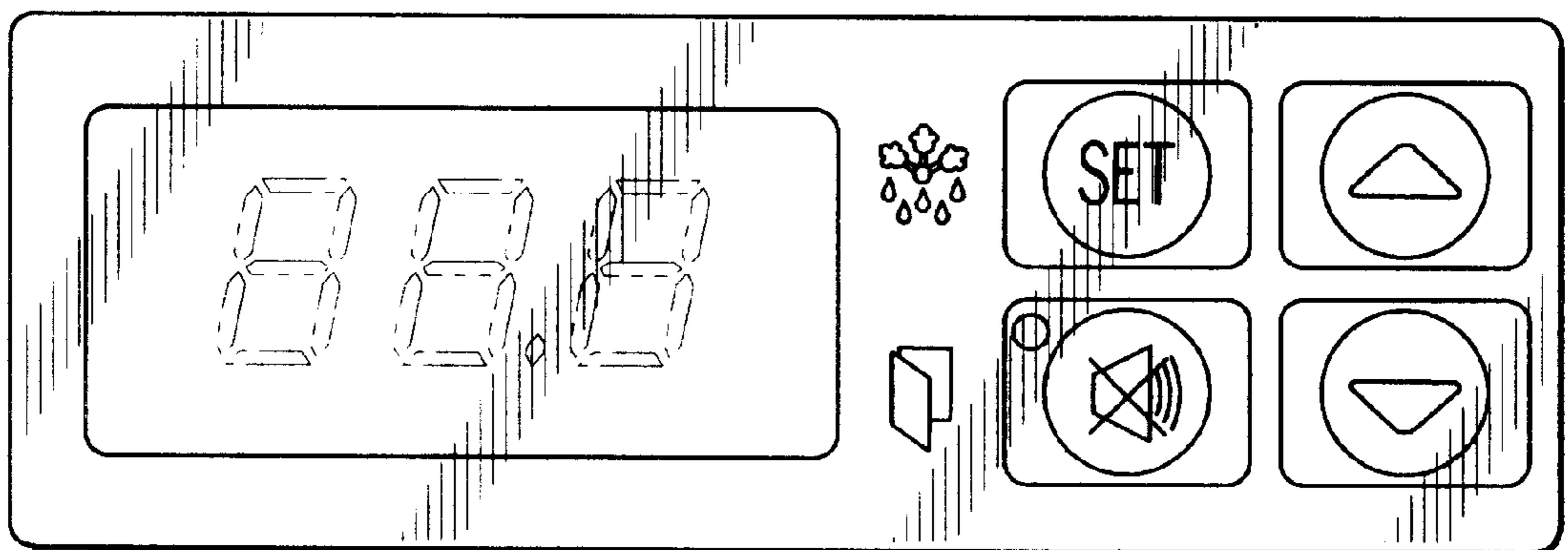


FIG. 3