



US00D435018S

United States Patent [19]

Hwang et al.

[11] **Patent Number: Des. 435,018**

[45] **Date of Patent: ** Dec. 12, 2000**

[54] **ELECTRICAL CONNECTOR**

[75] Inventors: **Jeng-Yih Hwang**, Irvine; **Andrew Cheng**, Cerritos, both of Calif.

[73] Assignee: **Hon Hai Precision Ind. Co., Ltd.**, Taipei Hsien, Taiwan

[**] Term: **14 Years**

[21] Appl. No.: **29/123,570**

[22] Filed: **May 18, 2000**

[51] **LOC (7) Cl.** **13-03**

[52] **U.S. Cl.** **D13/147**

[58] **Field of Search** D13/146, 147;
439/545, 953, 680, 374, 378, 381

[56] **References Cited**

U.S. PATENT DOCUMENTS

D. 314,752 2/1991 Maejima et al. D131/147

D. 420,330 2/2000 Wu et al. D13/147
4,998,892 3/1991 Shiley 439/381
5,391,091 2/1995 Nations 439/378
5,425,650 6/1995 Maeda 439/374

Primary Examiner—Joel Sincavage
Attorney, Agent, or Firm—Wei Te Chung

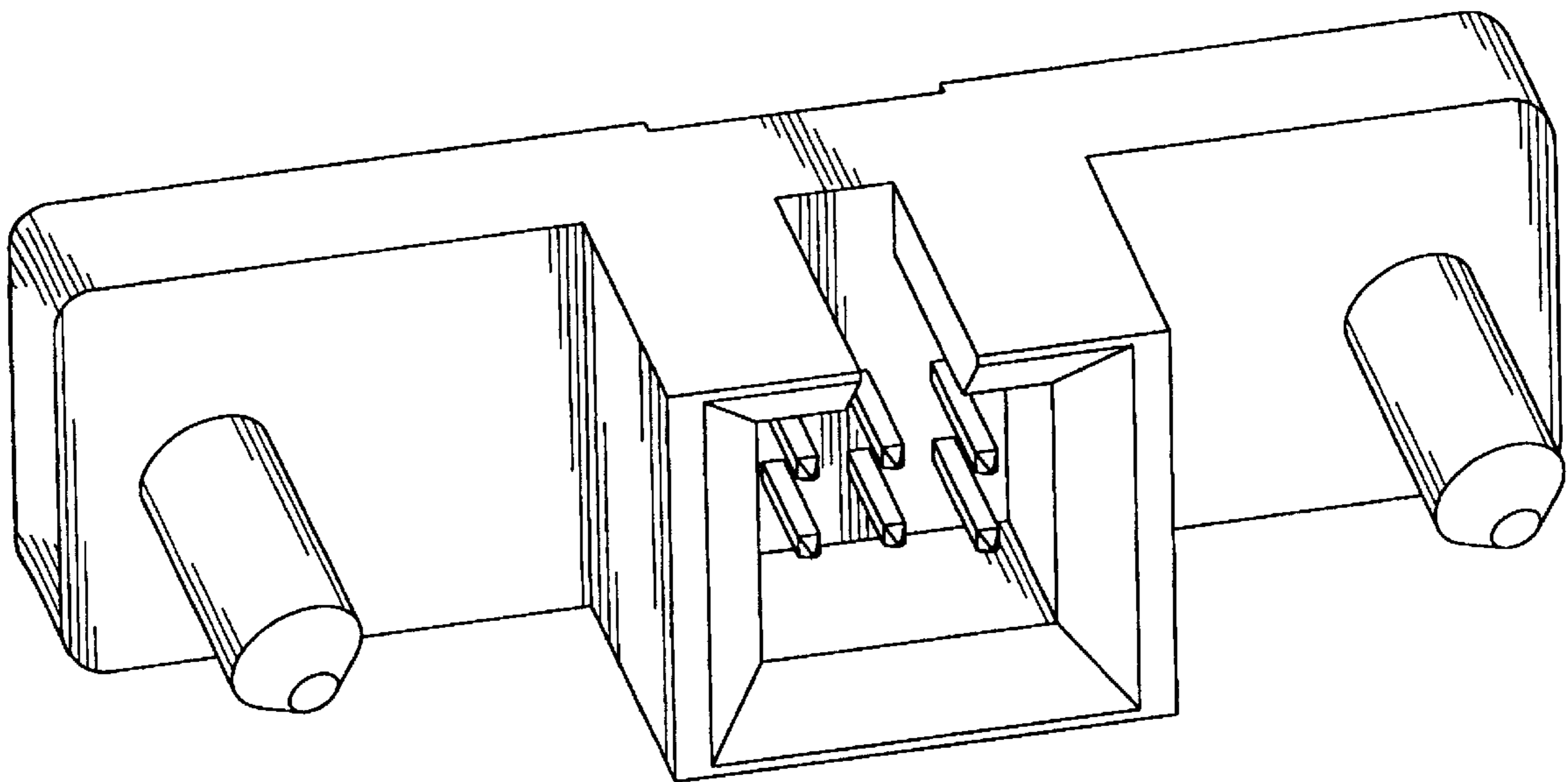
[57] **CLAIM**

The ornamental design for an electrical connector, as shown.

DESCRIPTION

FIG. 1 is a front, top and left side perspective view of an electrical connector showing our new design; FIG. 2 is a front elevational view thereof; FIG. 3 is a rear elevational view thereof; FIG. 4 is a left side elevational view thereof; FIG. 5 is a right side elevational view thereof; FIG. 6 is a top plan view thereof; and, FIG. 7 is a bottom plan view thereof.

1 Claim, 7 Drawing Sheets



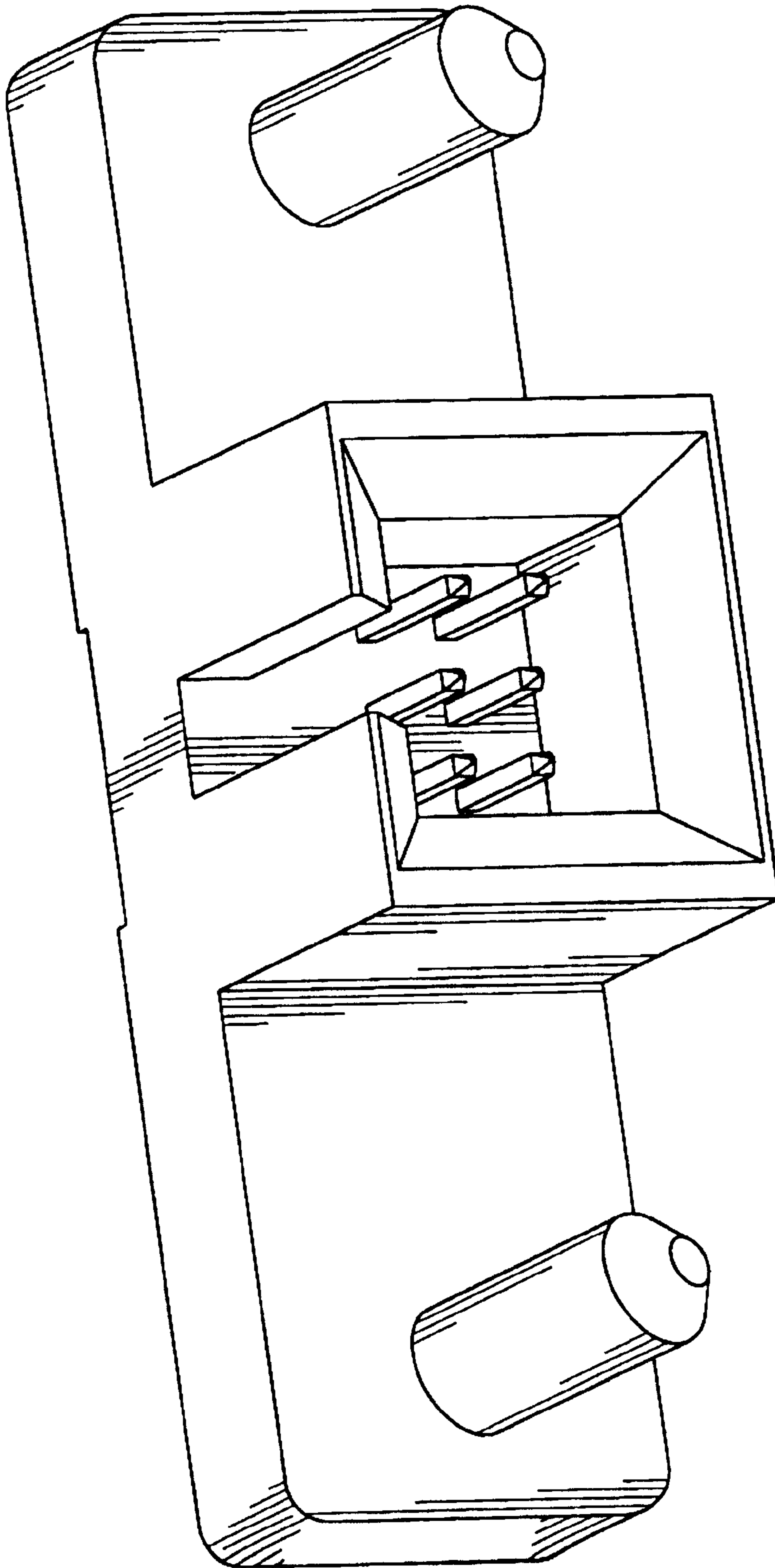


FIG. 1

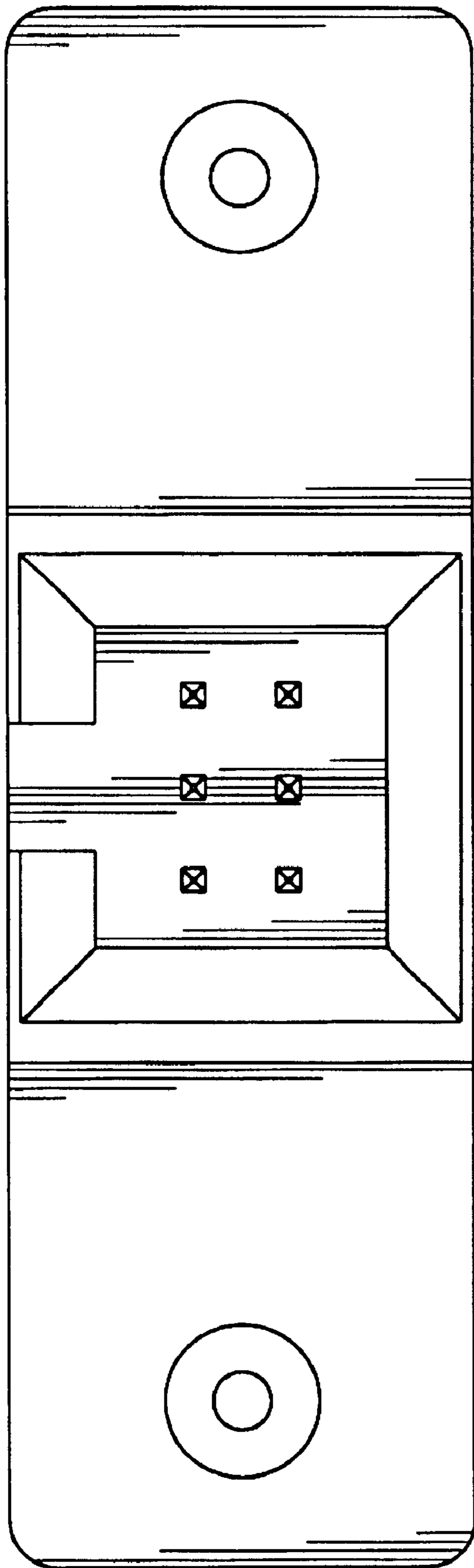


FIG. 2

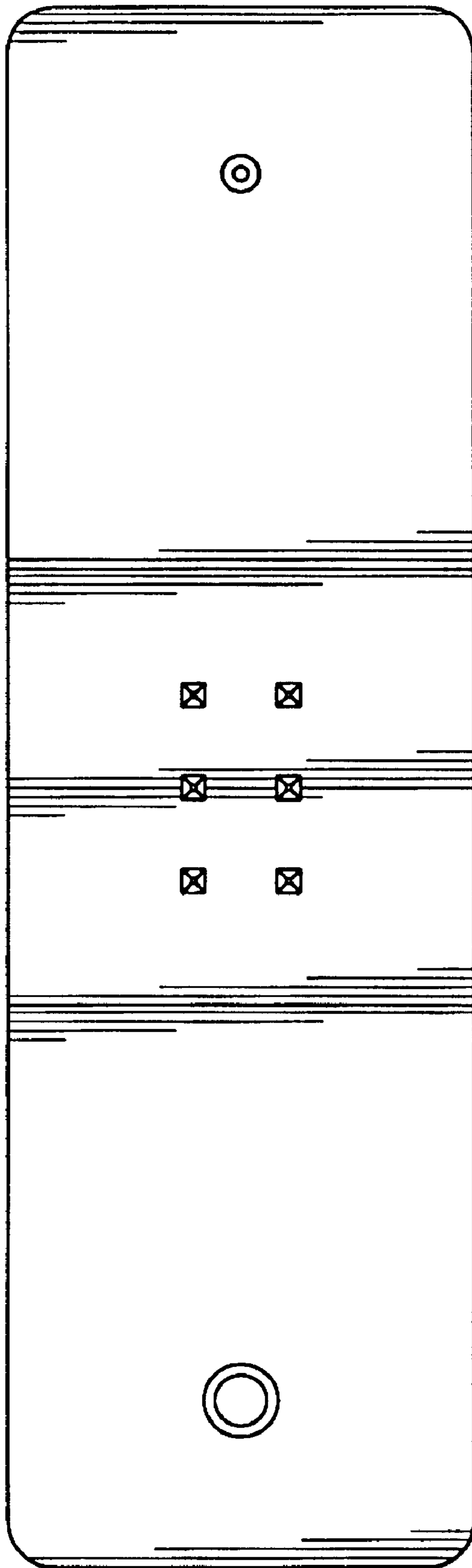


FIG. 3

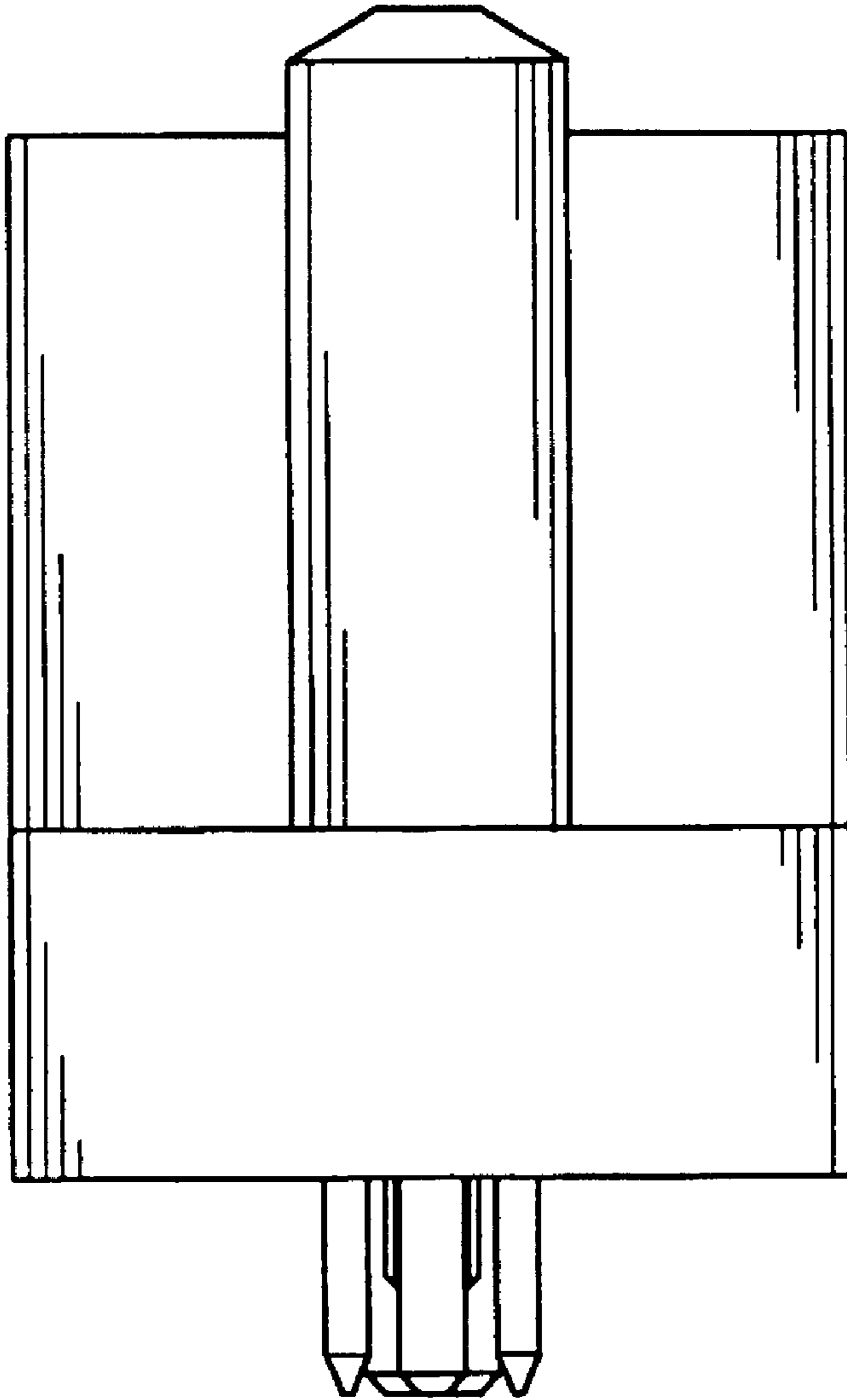


FIG. 4

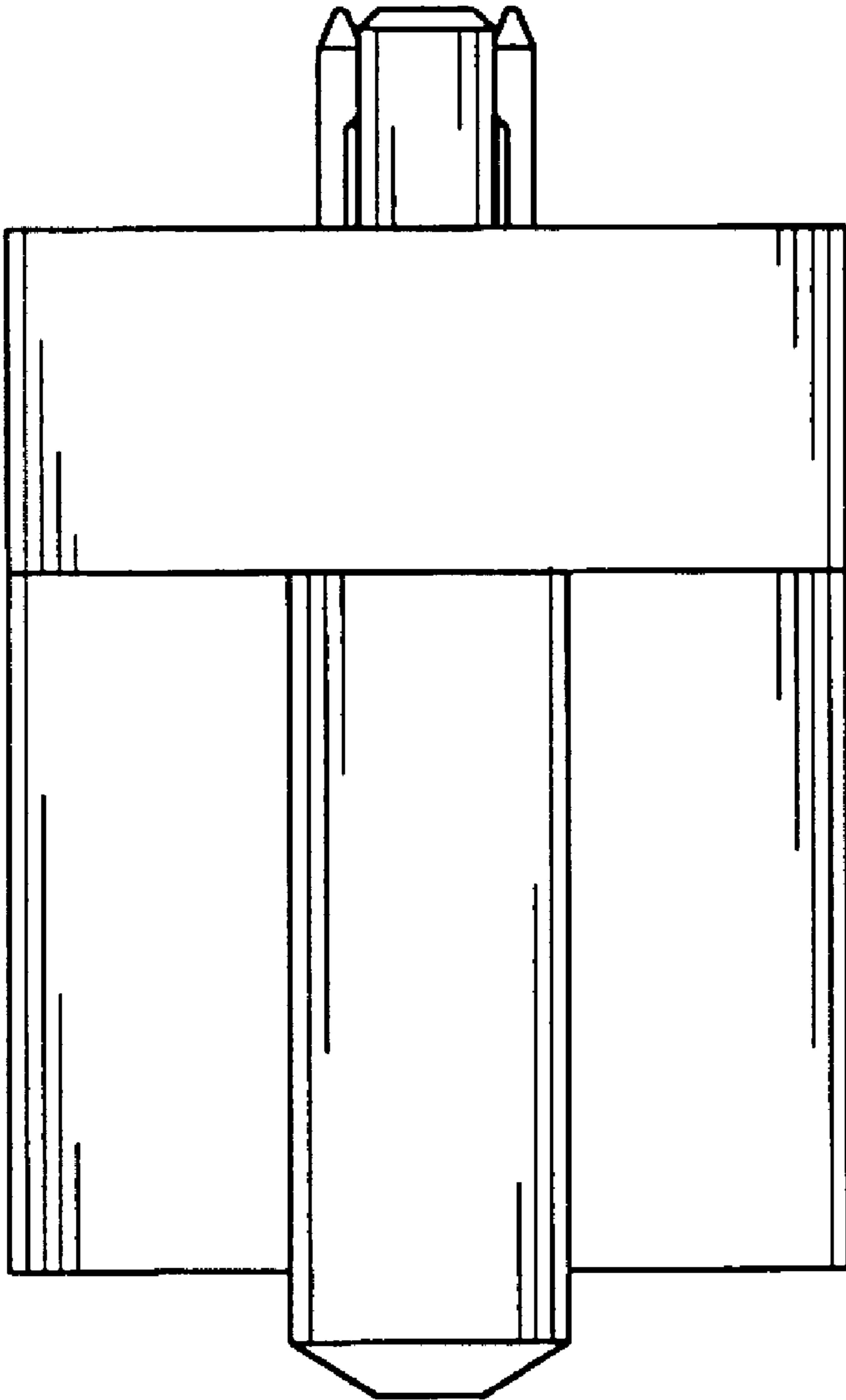


FIG. 5

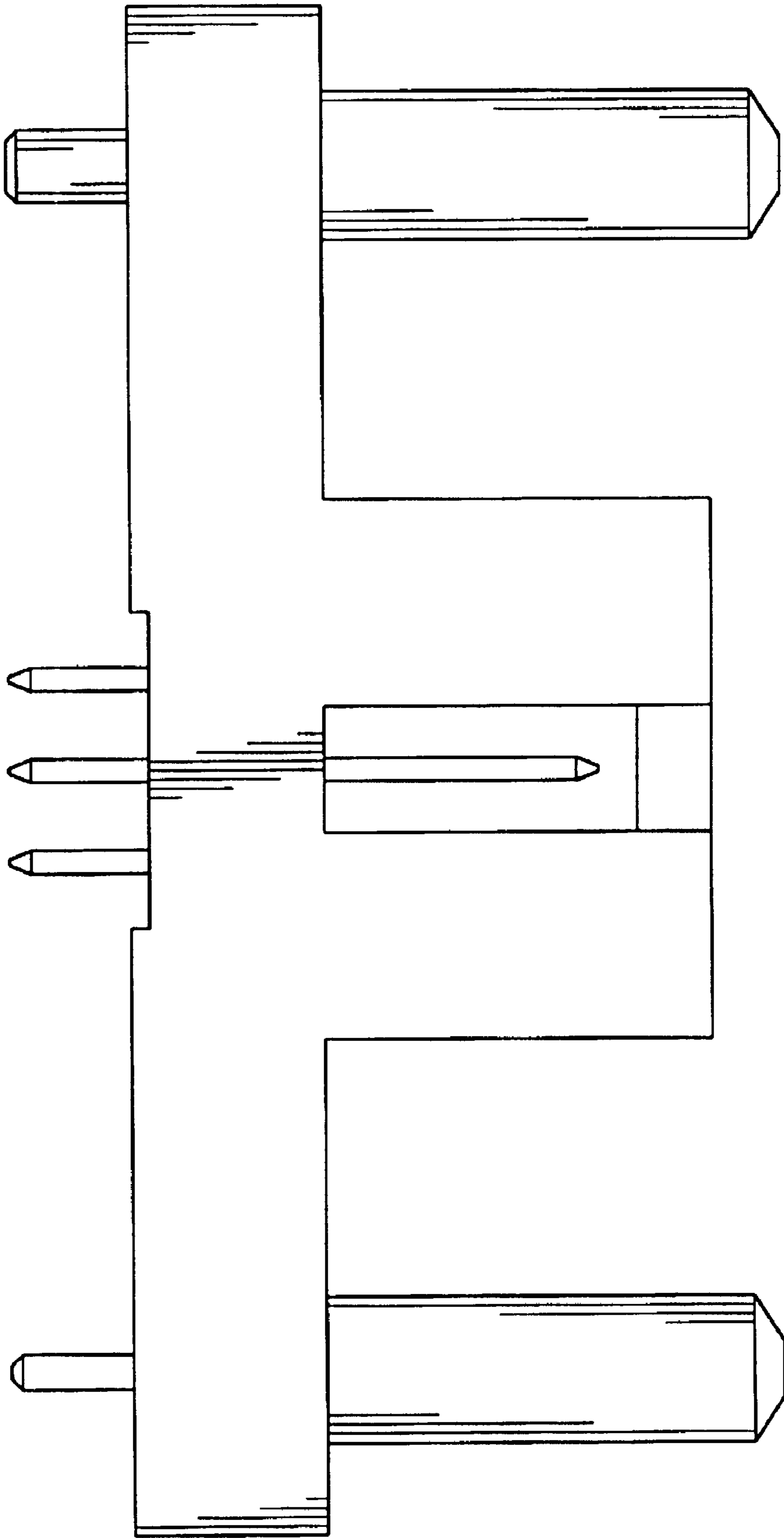


FIG. 6

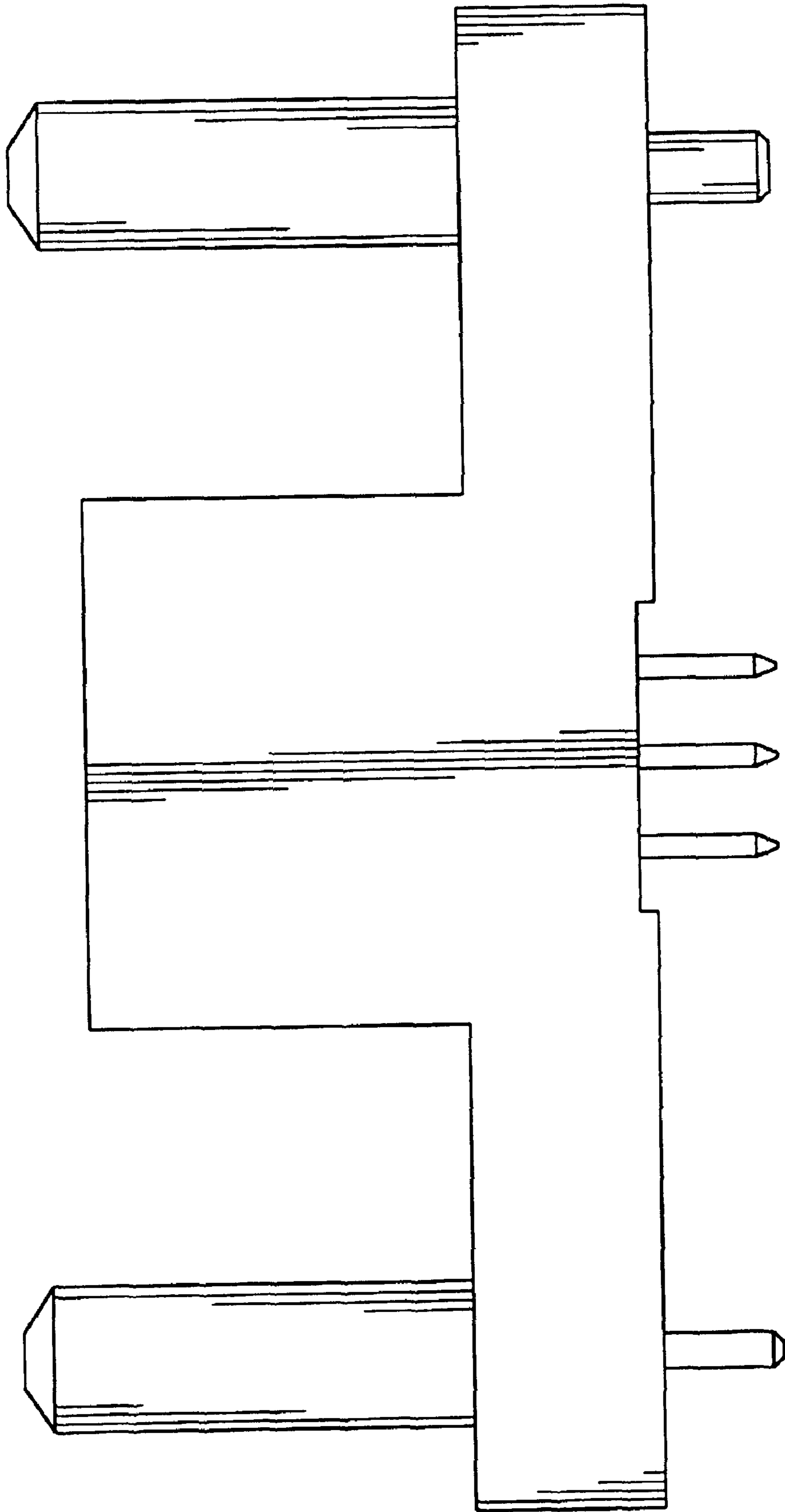


FIG. 7