



US00D435017S

**United States Patent** [19]  
**Hwang**

[11] **Patent Number: Des. 435,017**

[45] **Date of Patent: \*\* Dec. 12, 2000**

[54] **RECEPTACLE CONNECTOR**

4,998,892 3/1991 Shiley ..... 439/381  
5,425,650 6/1995 Maeda ..... 439/374  
5,655,914 8/1997 McCartin et al. .... 439/78

[75] Inventor: **Jenq-Yih Hwang**, Irvine, Calif.

[73] Assignee: **Hon Hai Precision Ind. Co., Ltd.**,  
Taipei Hsien, Taiwan

*Primary Examiner*—Joel Sincavage  
*Attorney, Agent, or Firm*—Wei Te Chung

[\*\*] Term: **14 Years**

[57] **CLAIM**

The ornamental design for a receptacle connector, as shown.

[21] Appl. No.: **29/123,557**

**DESCRIPTION**

[22] Filed: **May 17, 2000**

[51] **LOC (7) Cl.** ..... **13-03**

[52] **U.S. Cl.** ..... **D13/147**

[58] **Field of Search** ..... D13/146, 147;  
439/78, 79, 374, 378, 381, 680

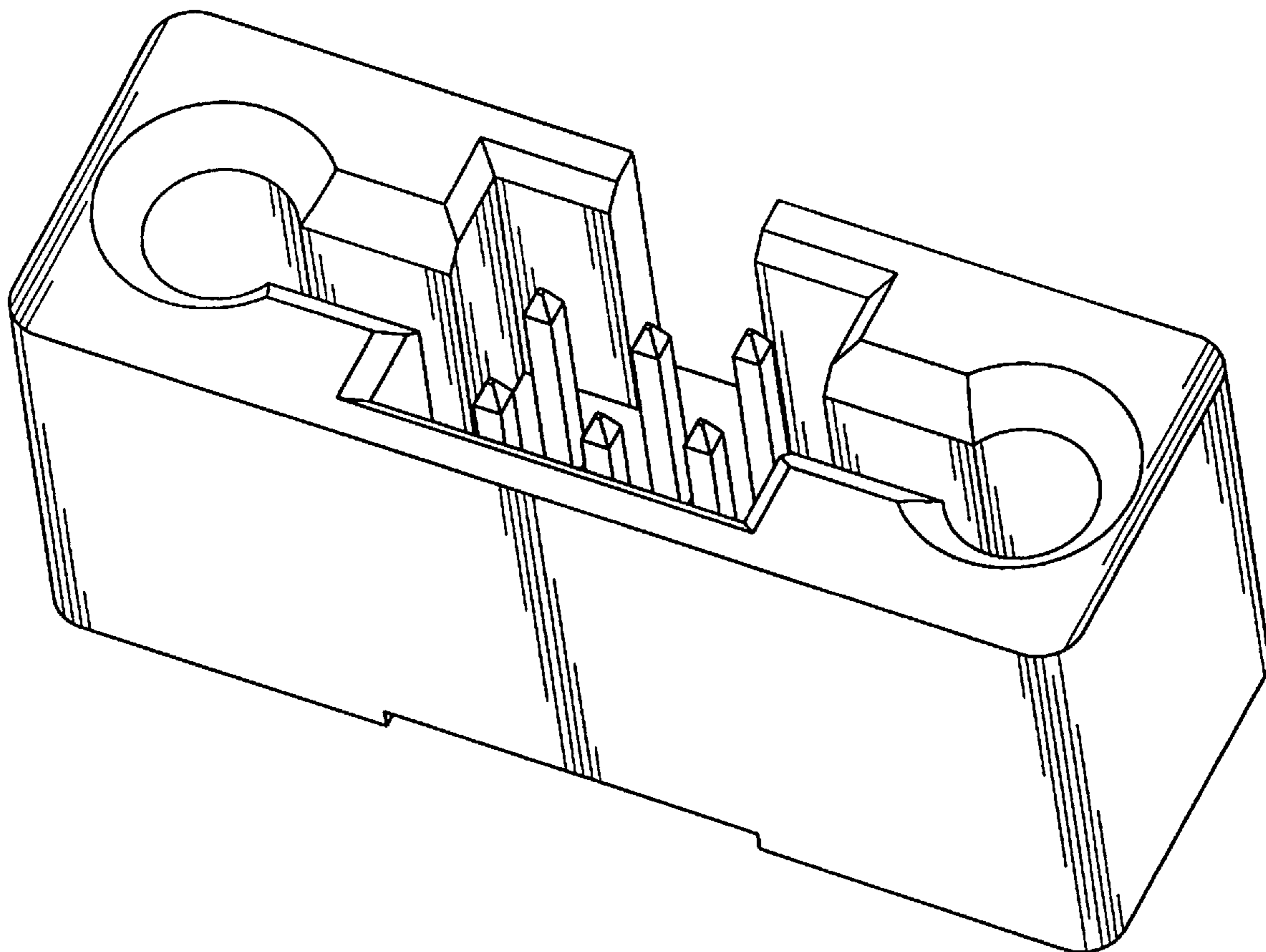
FIG. 1 is a front, top and right side perspective view of a receptacle connector showing my new design; FIG. 2 is a front elevational view thereof; FIG. 3 is a rear elevational view thereof; FIG. 4 is a left side elevational view thereof; FIG. 5 is a right side elevational view thereof; FIG. 6 is a top plan view thereof; and, FIG. 7 is a bottom plan view thereof.

[56] **References Cited**

**U.S. PATENT DOCUMENTS**

D. 366,241 1/1996 Eaton ..... D13/147

**1 Claim, 7 Drawing Sheets**



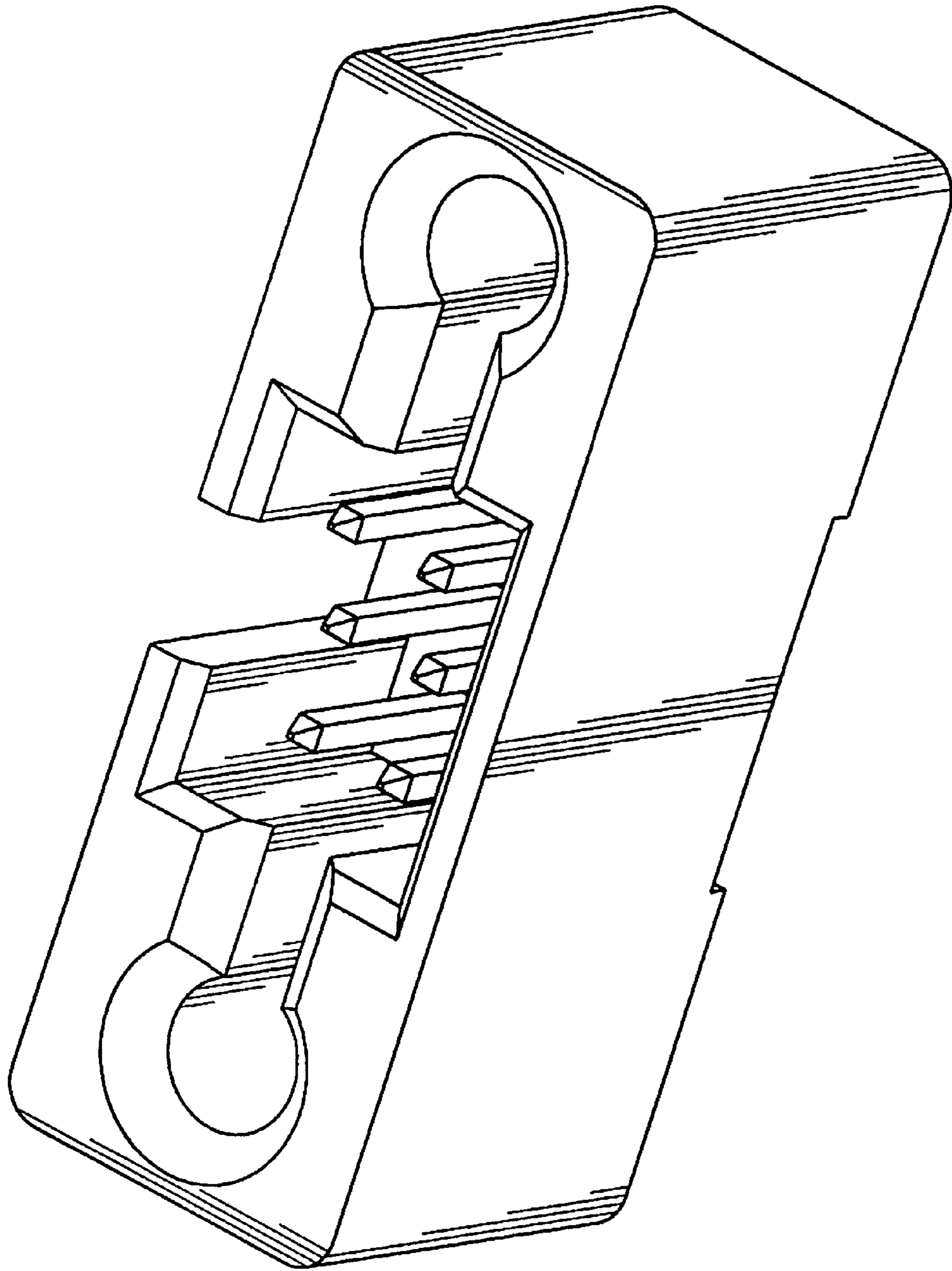


FIG. 1

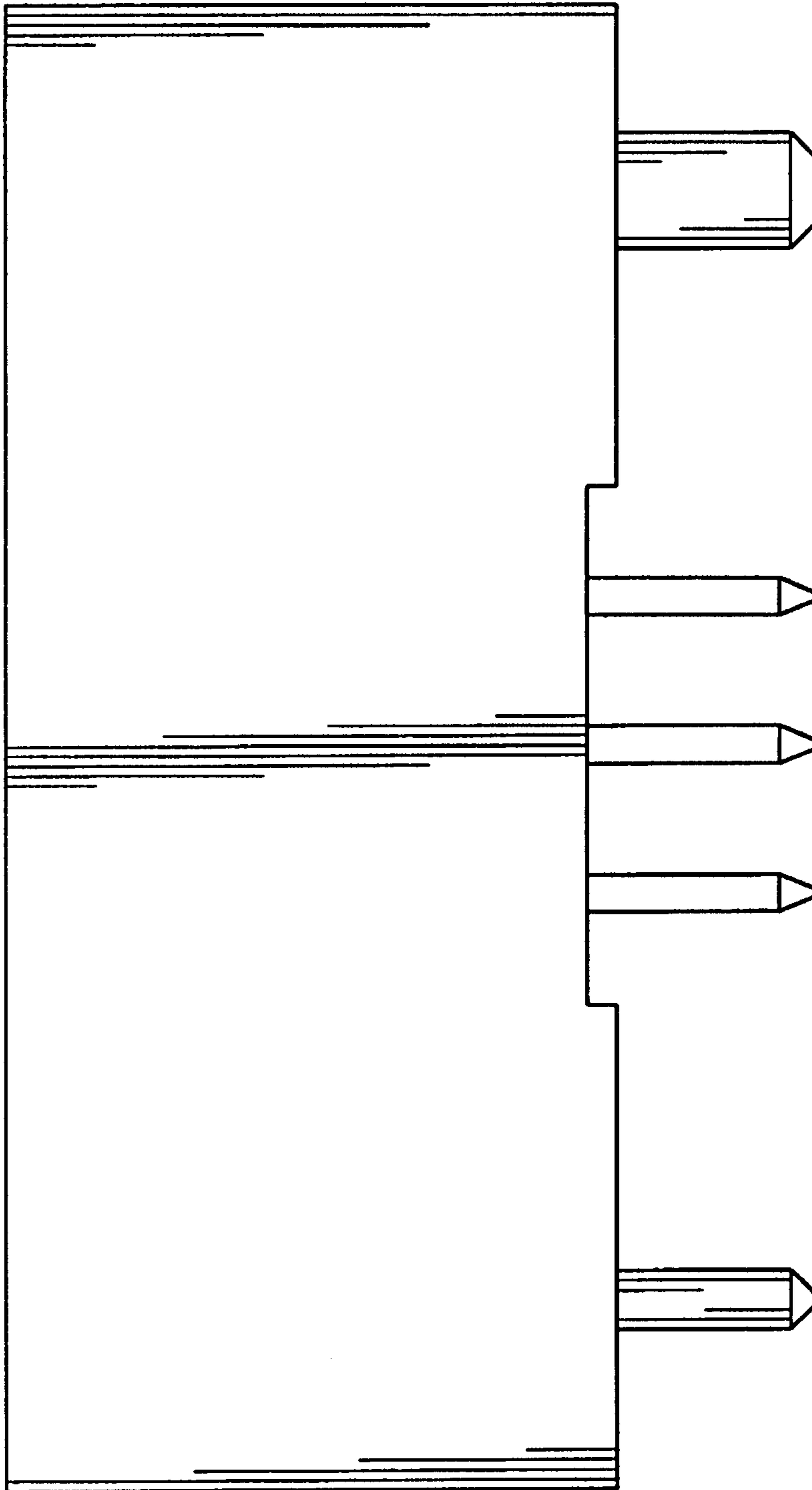


FIG. 2

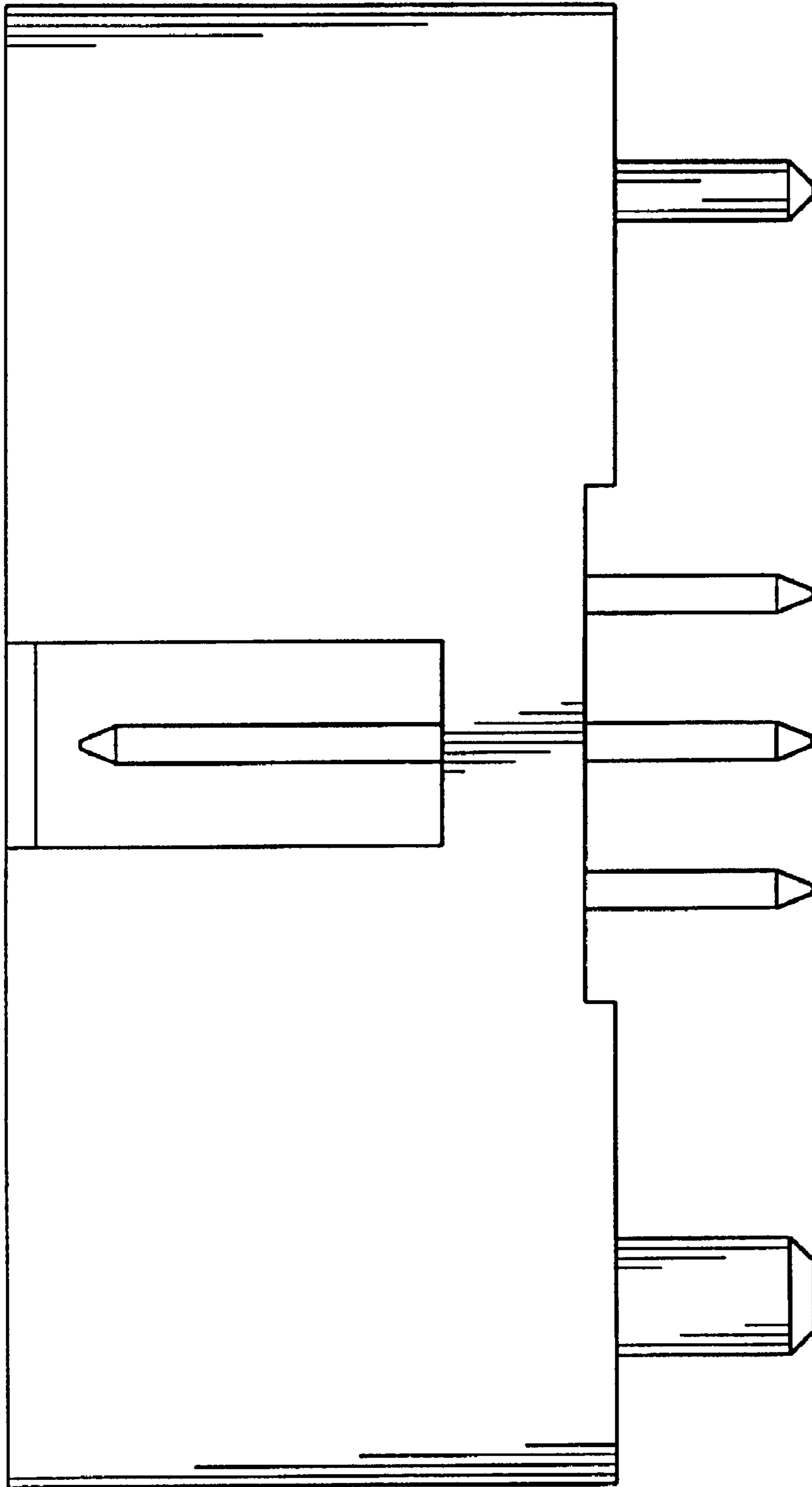


FIG. 3

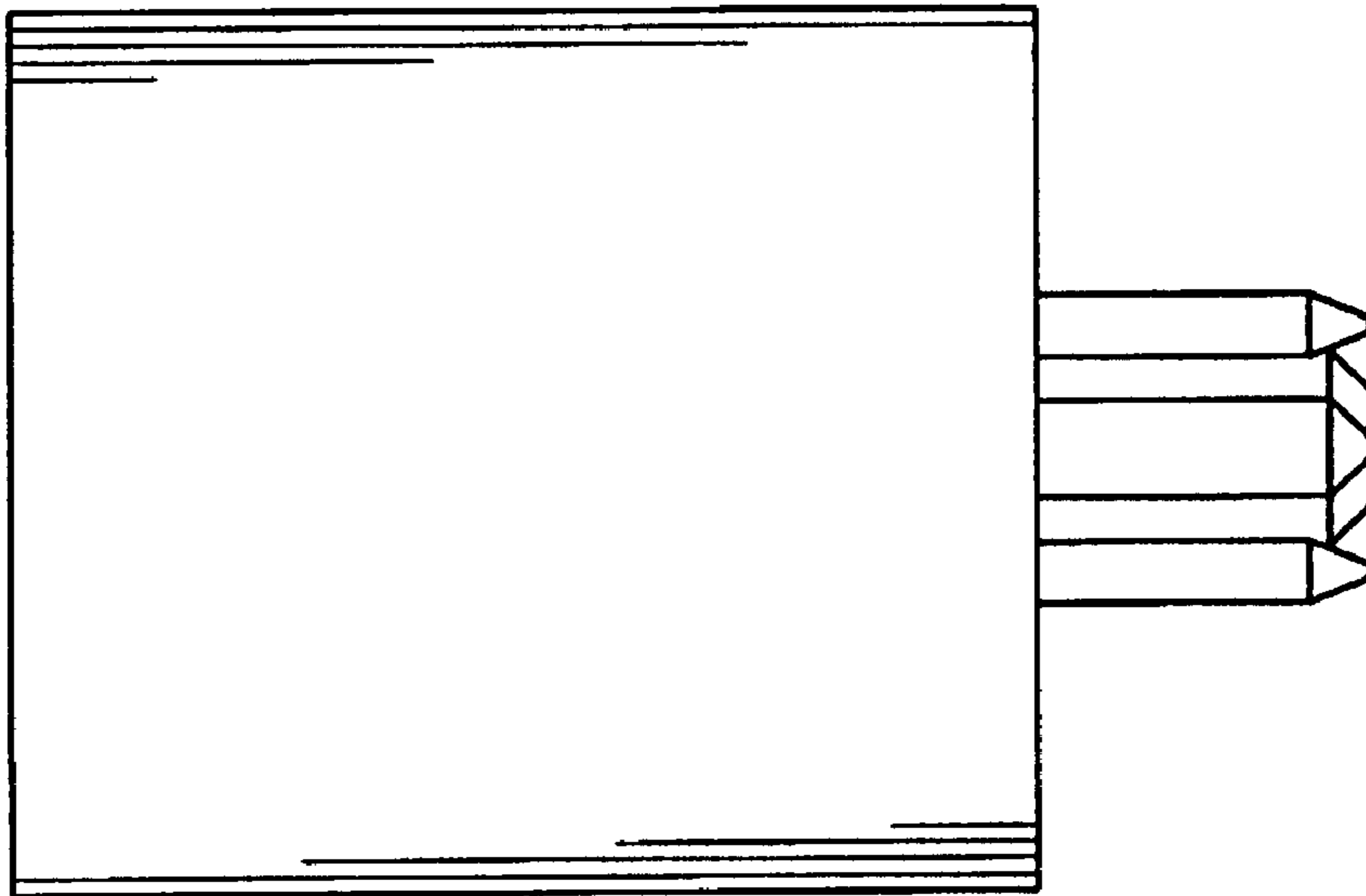


FIG. 4

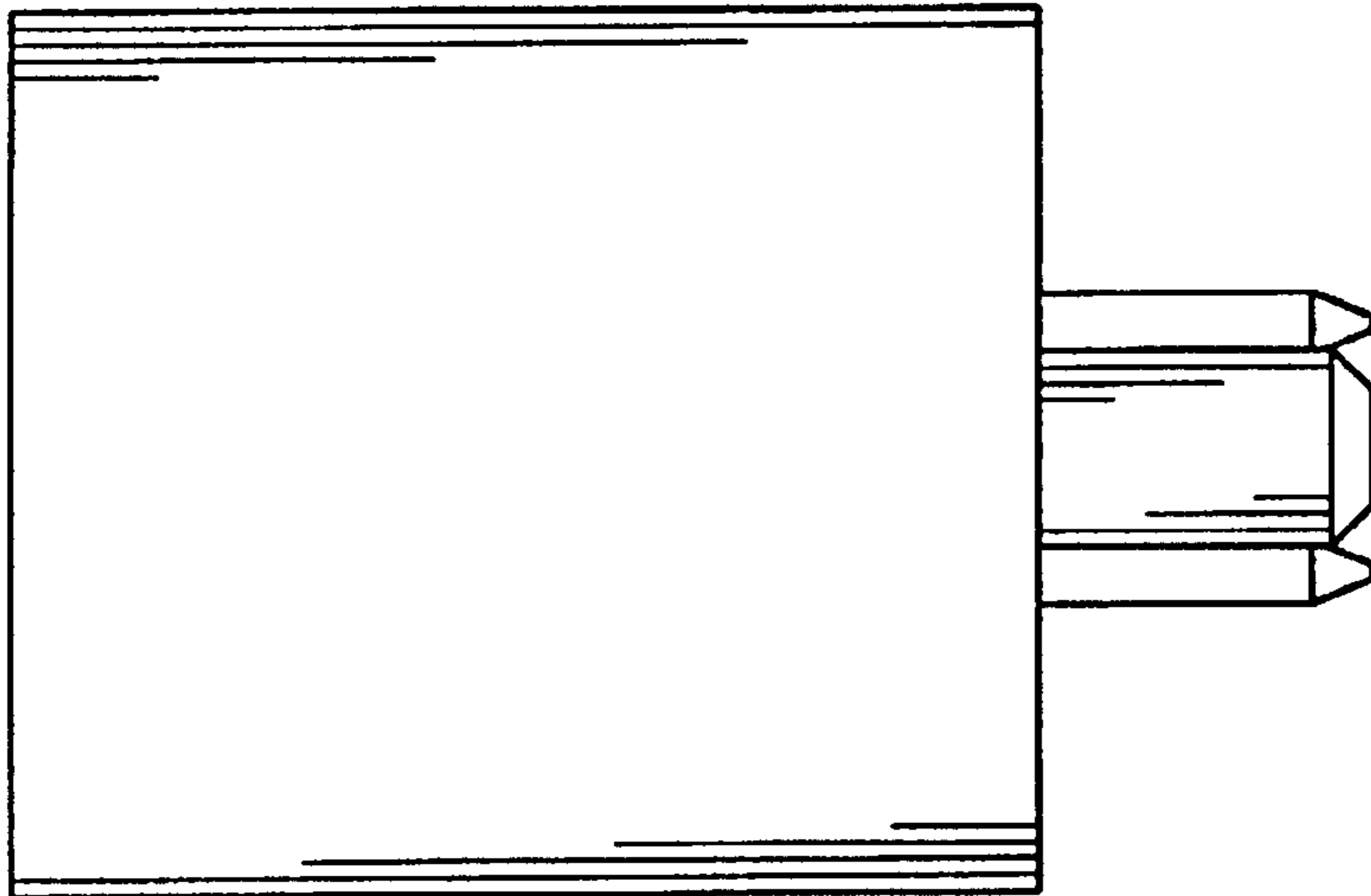


FIG. 5

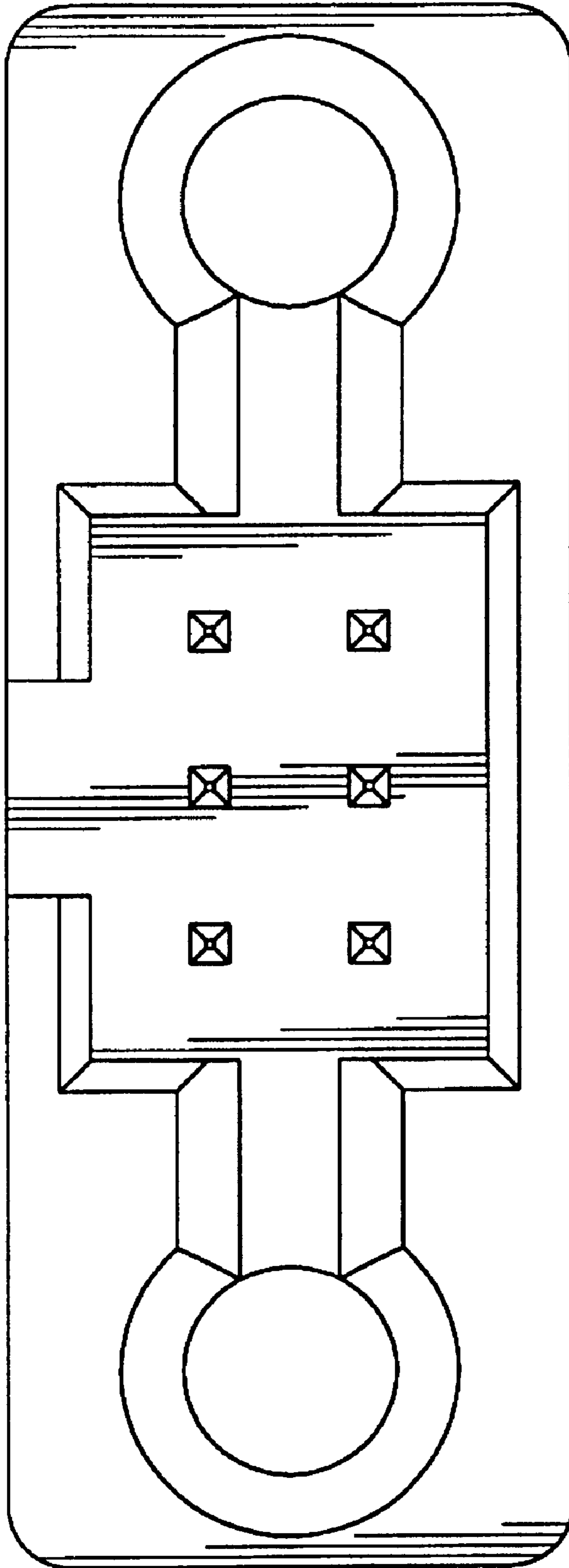


FIG. 6

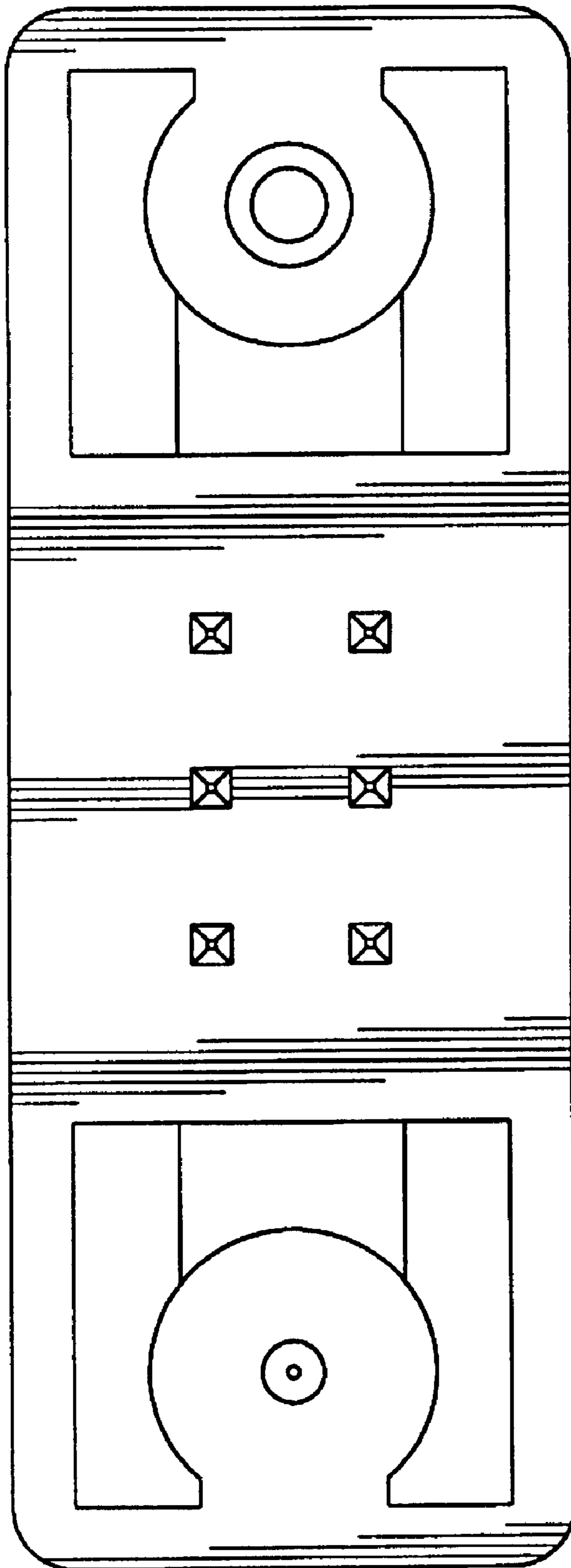


FIG. 7