



US00D435016S

United States Patent [19]

Huang et al.

[11] Patent Number: Des. 435,016

[45] Date of Patent: ** Dec. 12, 2000

[54] ELECTRICAL CONNECTOR

[75] Inventors: Nan Tsung Huang; Chih-Yaun Liao,
both of Tu-Chen, Taiwan

[73] Assignee: Hon Hai Precision Ind. Co., Ltd.,
Taipei Hsien, Taiwan

[**] Term: 14 Years

[21] Appl. No.: 29/119,175

[22] Filed: Feb. 24, 2000

[30] Foreign Application Priority Data

Feb. 2, 2000 [TW] Taiwan 89201916

[51] LOC (7) Cl. 13-03

[52] U.S. Cl. D13/147

[58] Field of Search D13/146, 147;
439/660, 686, 636, 79, 348, 573

[56] References Cited

U.S. PATENT DOCUMENTS

D. 408,360 4/1999 Kosmala D13/147

D. 419,522	1/2000	Kamagai	D13/147 X
3,720,907	3/1973	Asick	439/636
5,004,434	4/1991	Aiello et al.	439/636
5,551,883	9/1996	Davis	439/660 X
5,564,952	10/1996	Davis	439/682
5,674,078	10/1997	Davis et al.	439/79
6,050,858	4/2000	Liu et al.	439/660

Primary Examiner—Joel Sincavage
Attorney, Agent, or Firm—Wei Te Chung

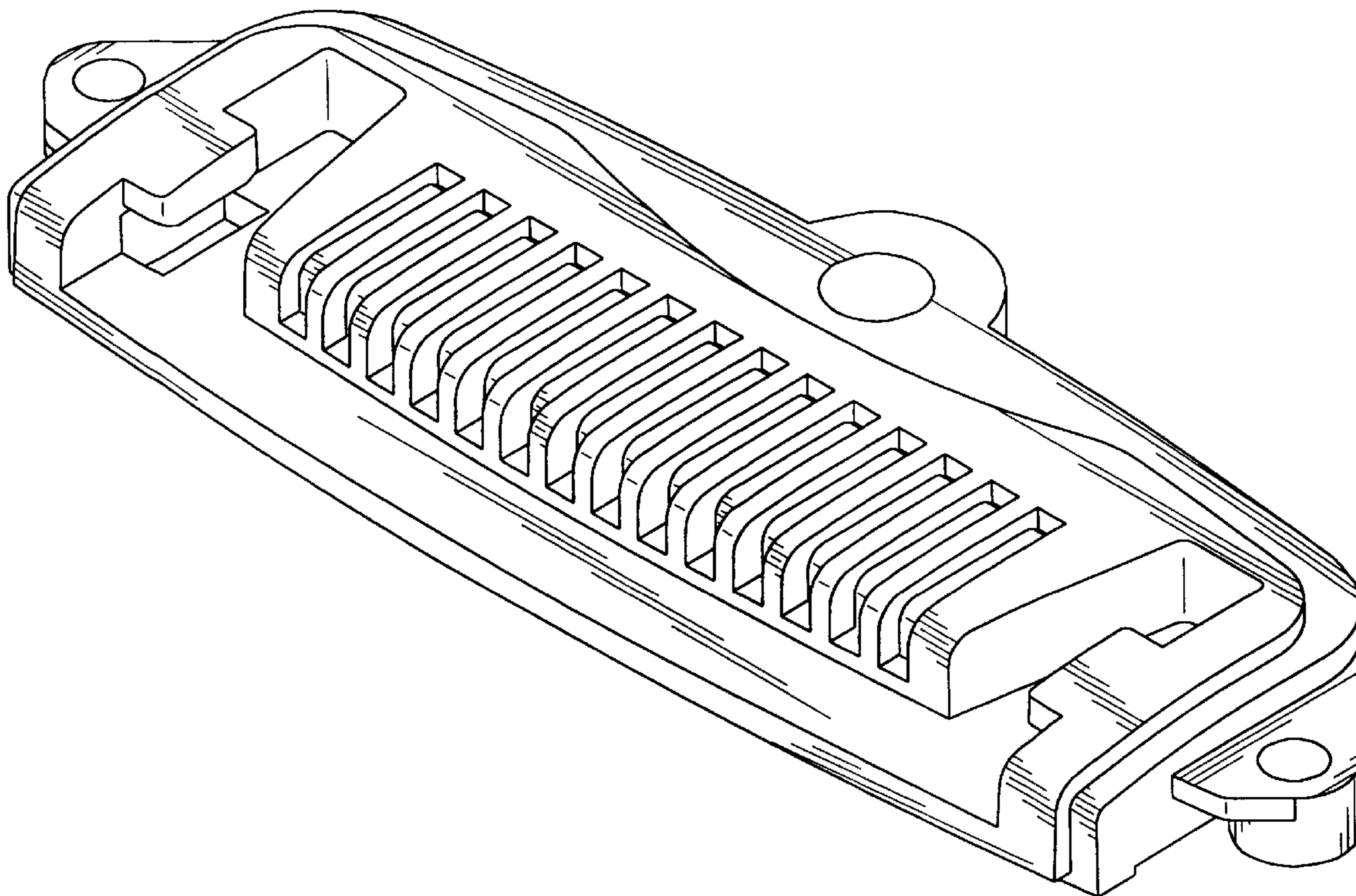
[57] CLAIM

The ornamental design for an electrical connector, as shown.

DESCRIPTION

FIG. 1 is a front, top and right side perspective view of an electrical connector showing our new design; FIG. 2 is a front elevational view thereof; FIG. 3 is a rear elevational view thereof; FIG. 4 is a left side elevational view thereof; FIG. 5 is a right side elevational view thereof; FIG. 6 is a top plan view thereof; and, FIG. 7 is a bottom plan view thereof.

1 Claim, 6 Drawing Sheets



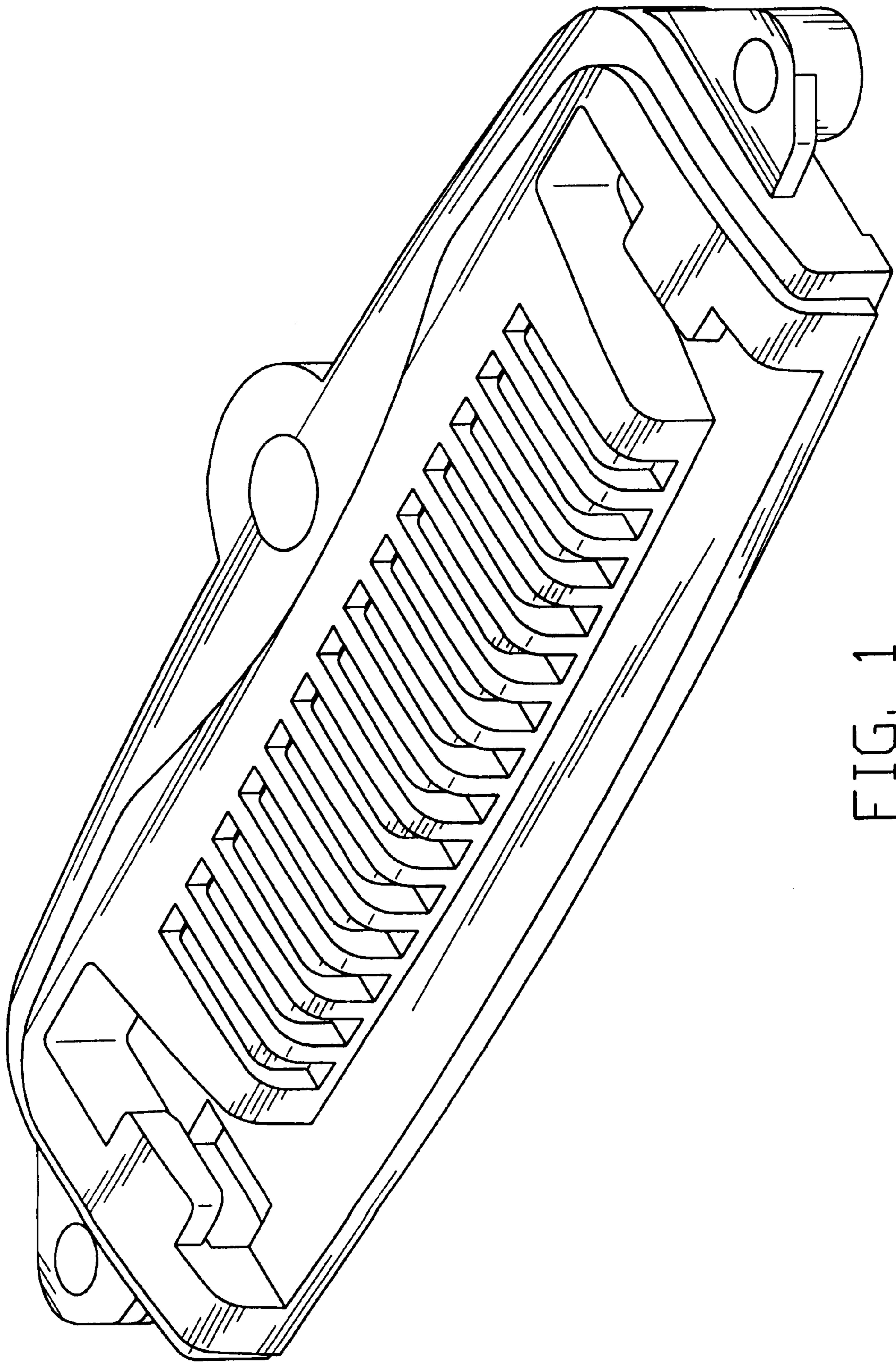


FIG. 1

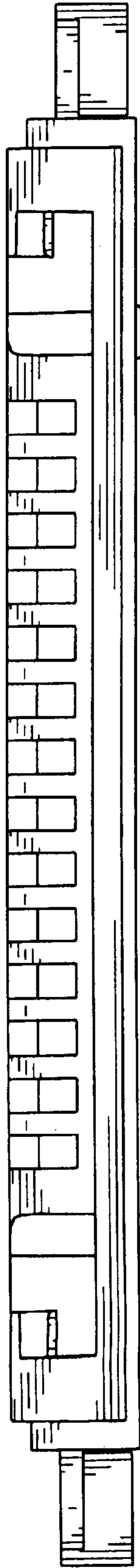


FIG. 2

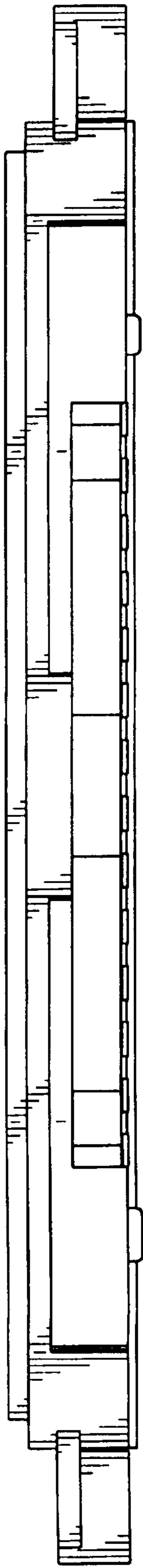


FIG. 3

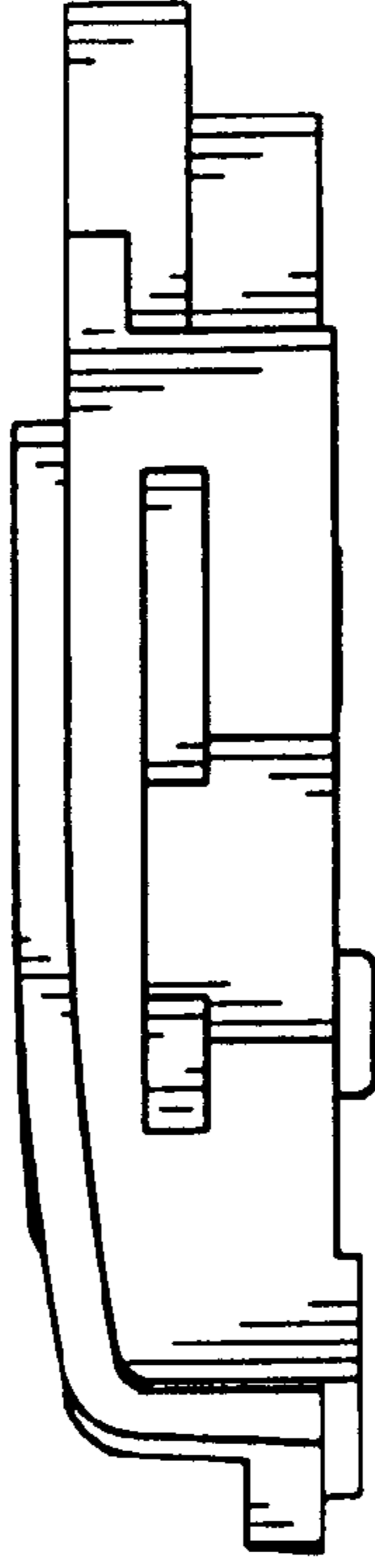


FIG. 5

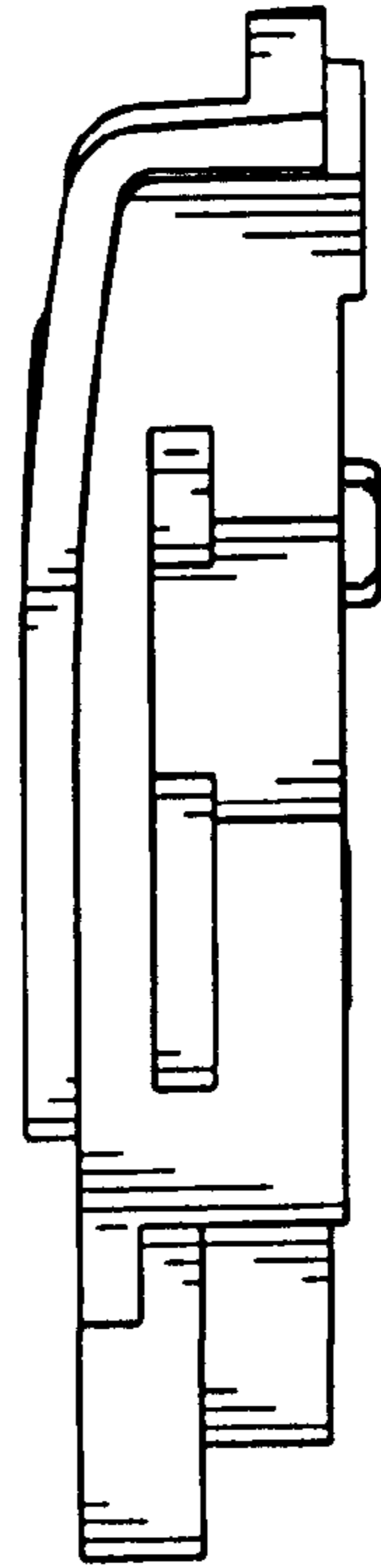


FIG. 4

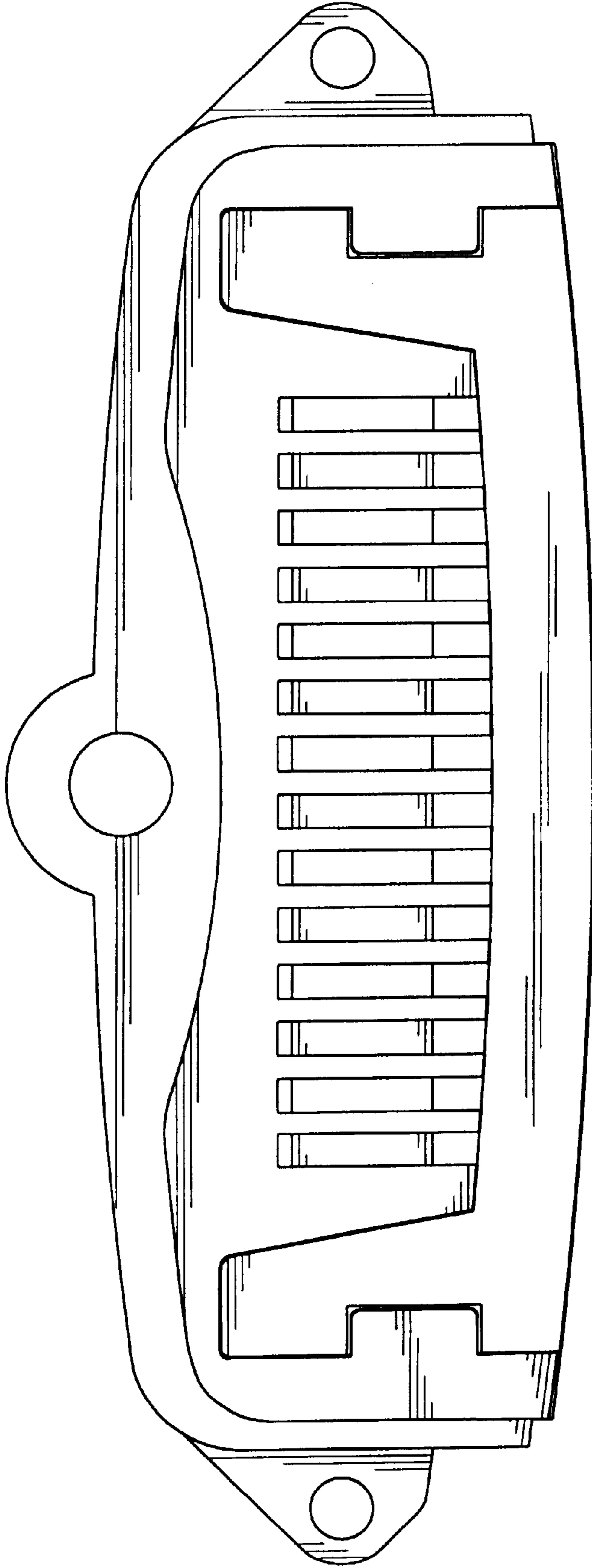


FIG. 6

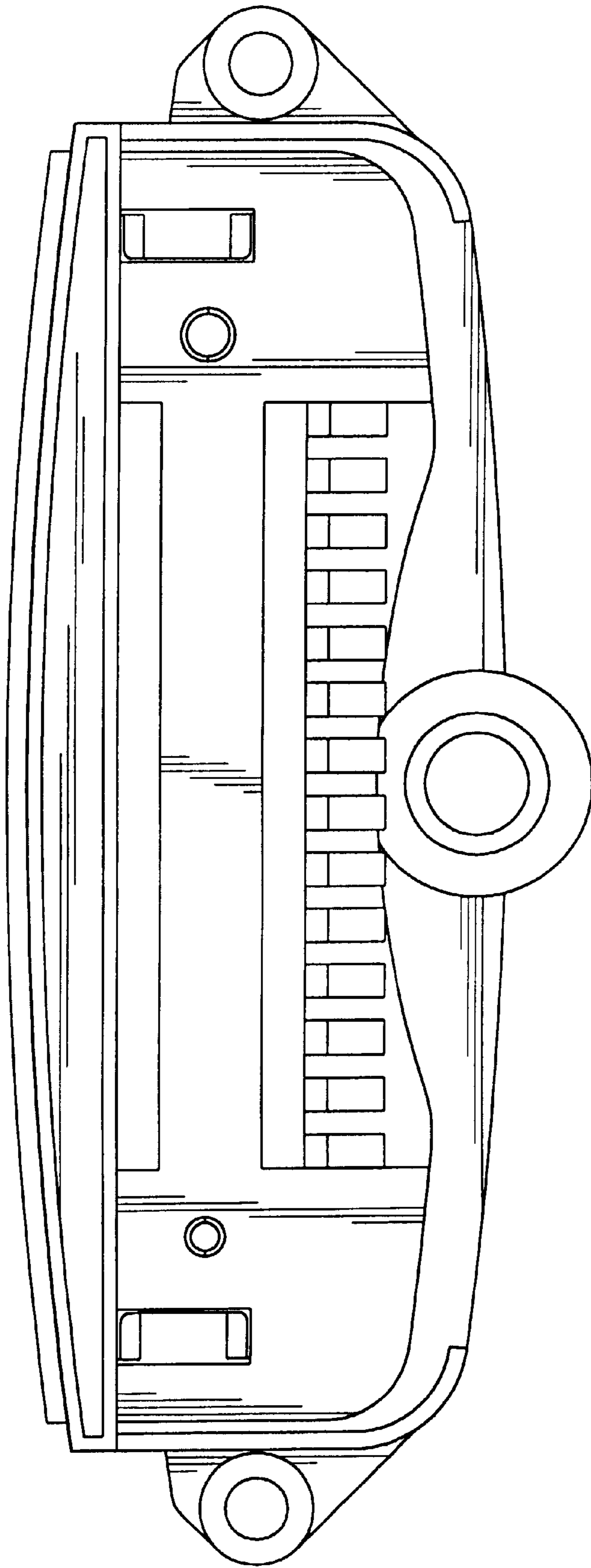


FIG. 7