



US00D435015S

United States Patent [19] Wang

[11] **Patent Number: Des. 435,015**

[45] **Date of Patent: ** Dec. 12, 2000**

[54] **ELECTRICAL CONNECTOR**

[75] Inventor: **Zhiqiang Wang**, Kunshan, China

[73] Assignee: **Hon Hai Precision Ind. Co., Ltd.**,
Taipei Hsien, Taiwan

[**] Term: **14 Years**

[21] Appl. No.: **29/125,257**

[22] Filed: **Jun. 20, 2000**

[30] **Foreign Application Priority Data**

May 11, 2000 [TW] Taiwan 89303180

[51] **LOC (7) Cl.** **13-03**

[52] **U.S. Cl.** **D13/133**

[58] **Field of Search** D13/133; 439/607-610,
439/668, 188, 78, 79, 84

[56] **References Cited**

U.S. PATENT DOCUMENTS

D. 409,576 5/1999 Wood et al. D13/133 X

3,221,291 11/1965 Pratt 439/733
4,749,357 6/1988 Foley 439/80
5,338,215 8/1994 Lee et al. 439/188
5,738,546 4/1998 Burroughs et al. 439/620
5,797,768 8/1998 Francaviglia 439/567

Primary Examiner—Joel Sincavage
Attorney, Agent, or Firm—Wei Te Chung

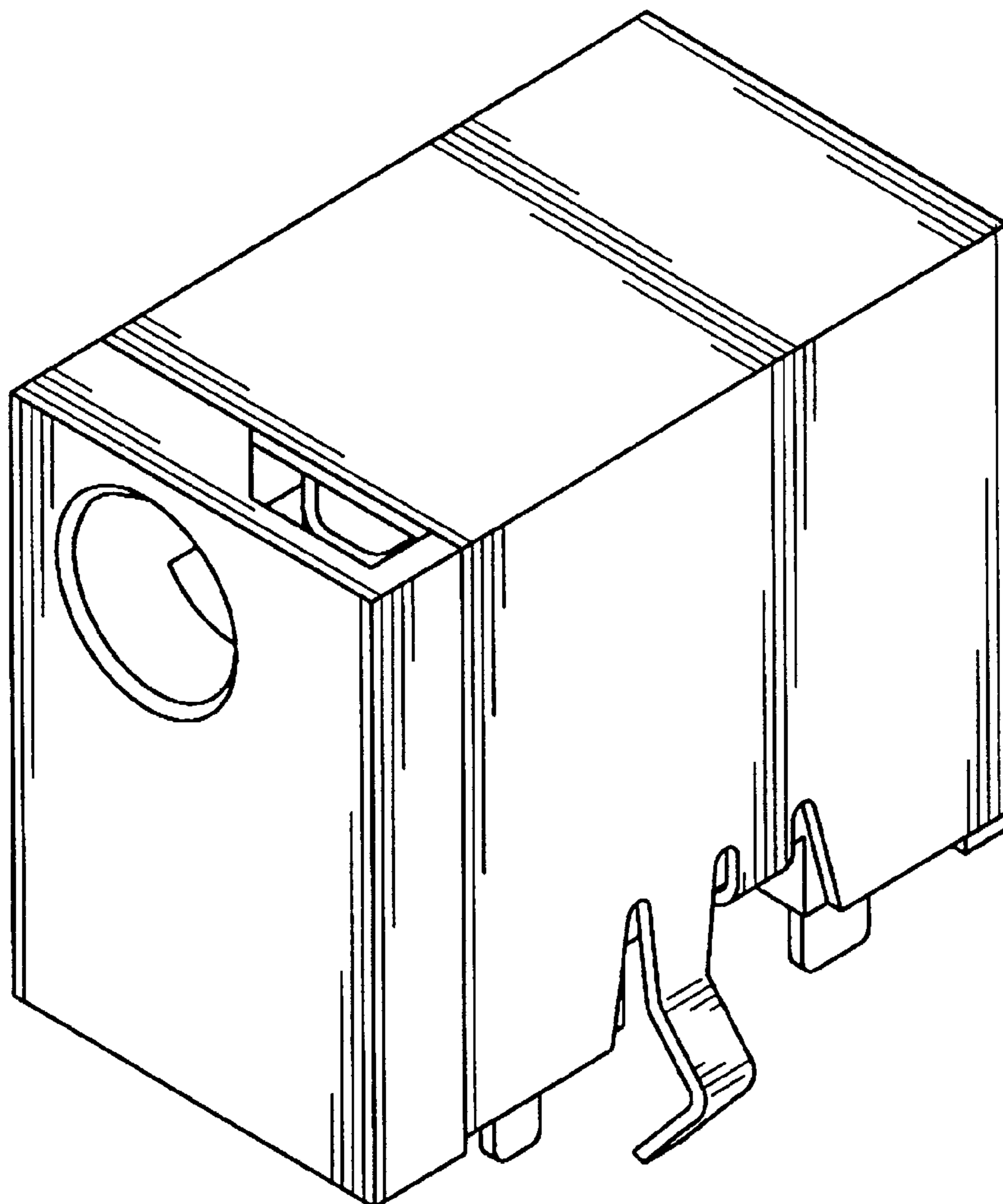
[57] **CLAIM**

The ornamental design for an electrical connector, as shown.

DESCRIPTION

FIG. 1 is a front, top and right side perspective view of an electrical connector showing my new design; FIG. 2 is a front elevational view thereof; FIG. 3 is a rear elevational view thereof; FIG. 4 is a left side elevational view thereof; FIG. 5 is a right side elevational view thereof; FIG. 6 is a top plan view thereof; and, FIG. 7 is a bottom view thereof.

1 Claim, 4 Drawing Sheets



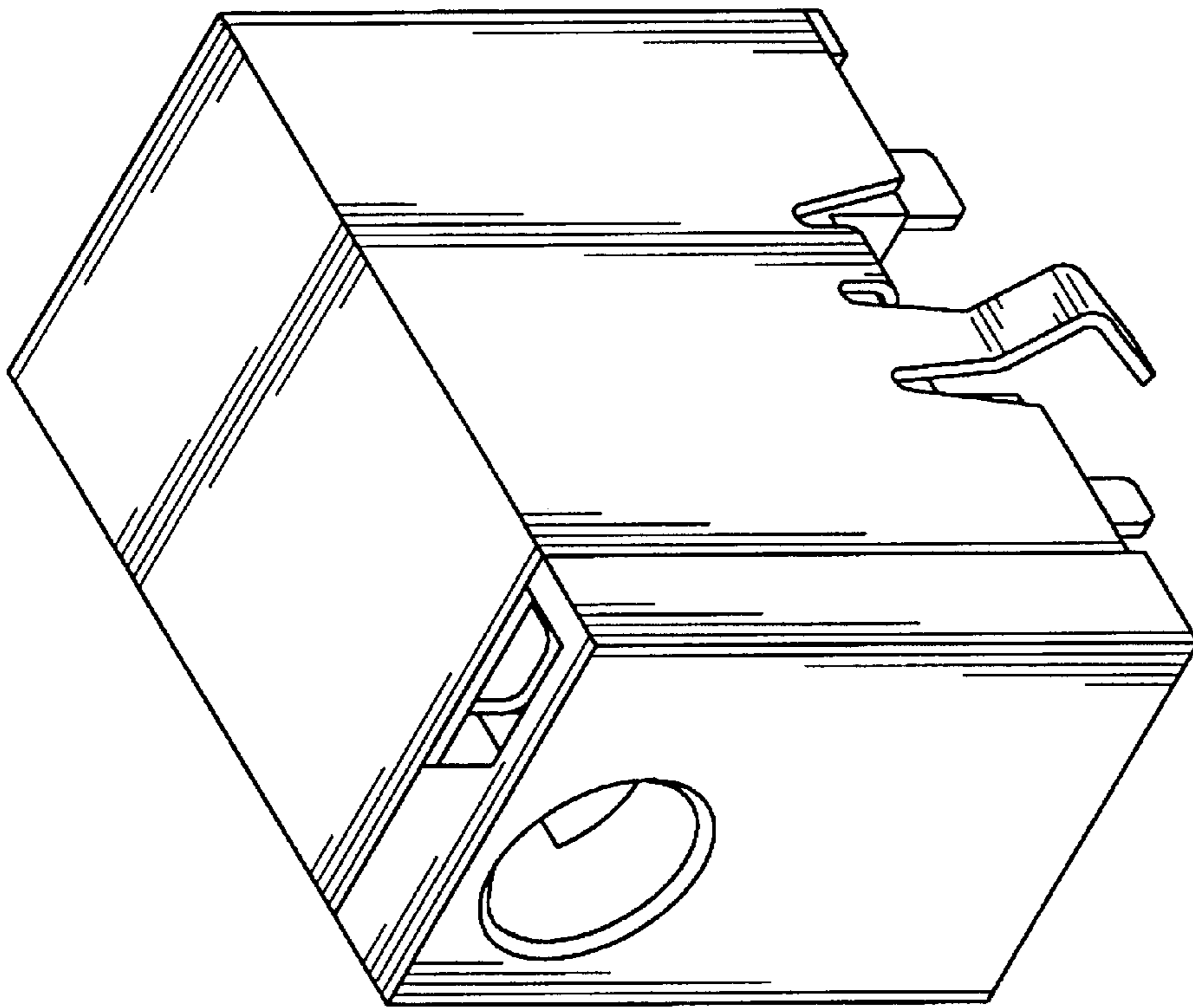


FIG. 1

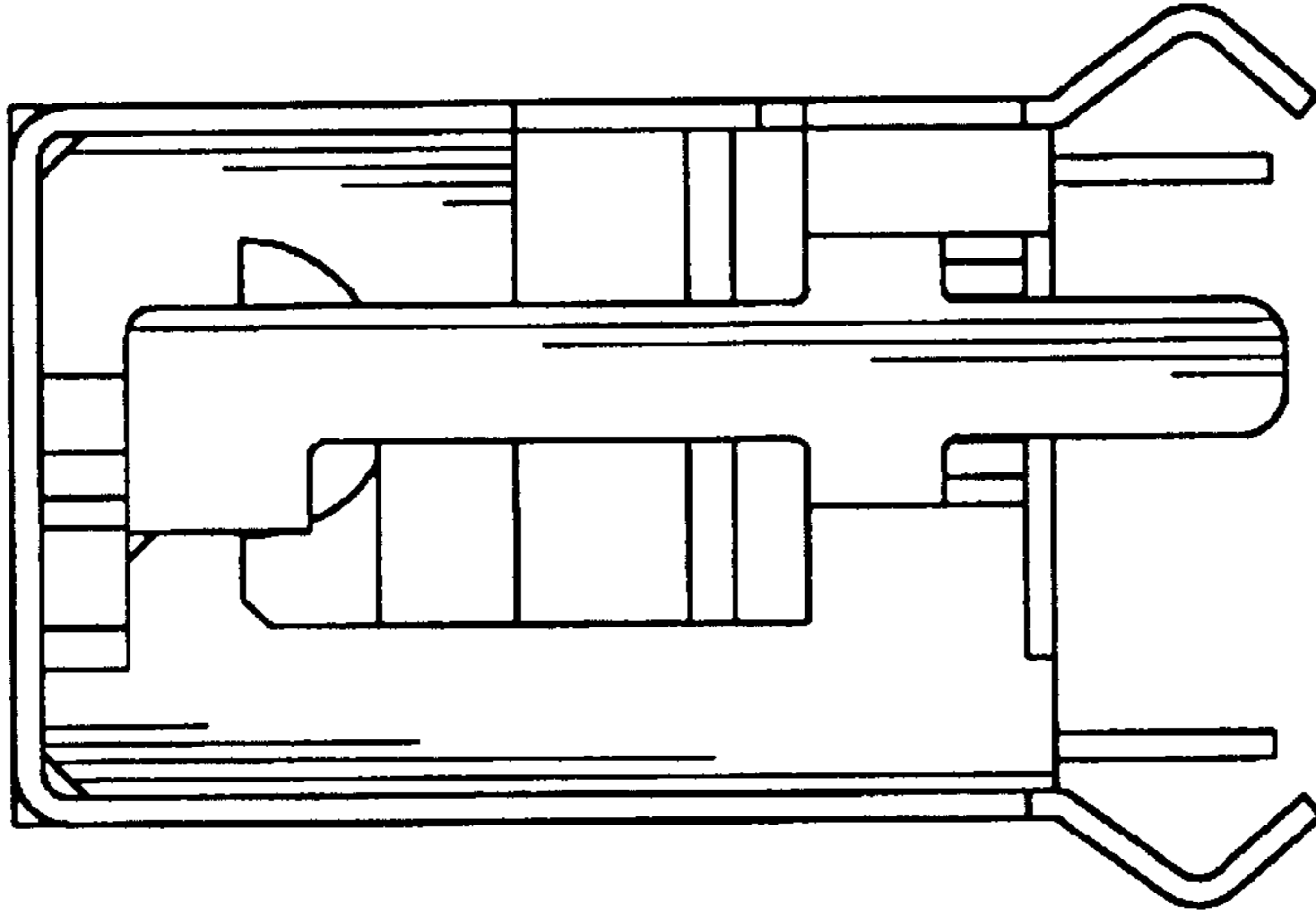


FIG. 3

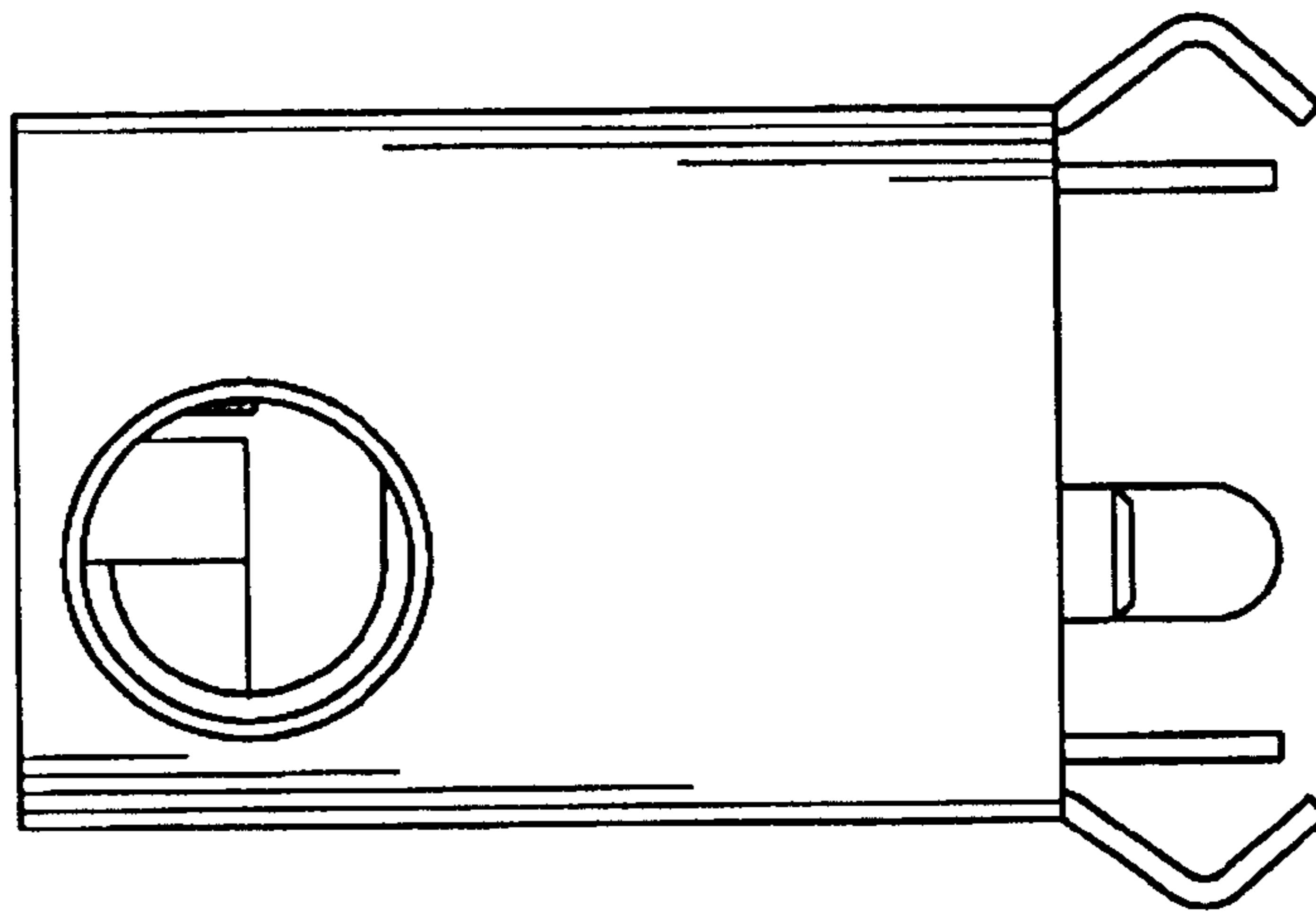


FIG. 2

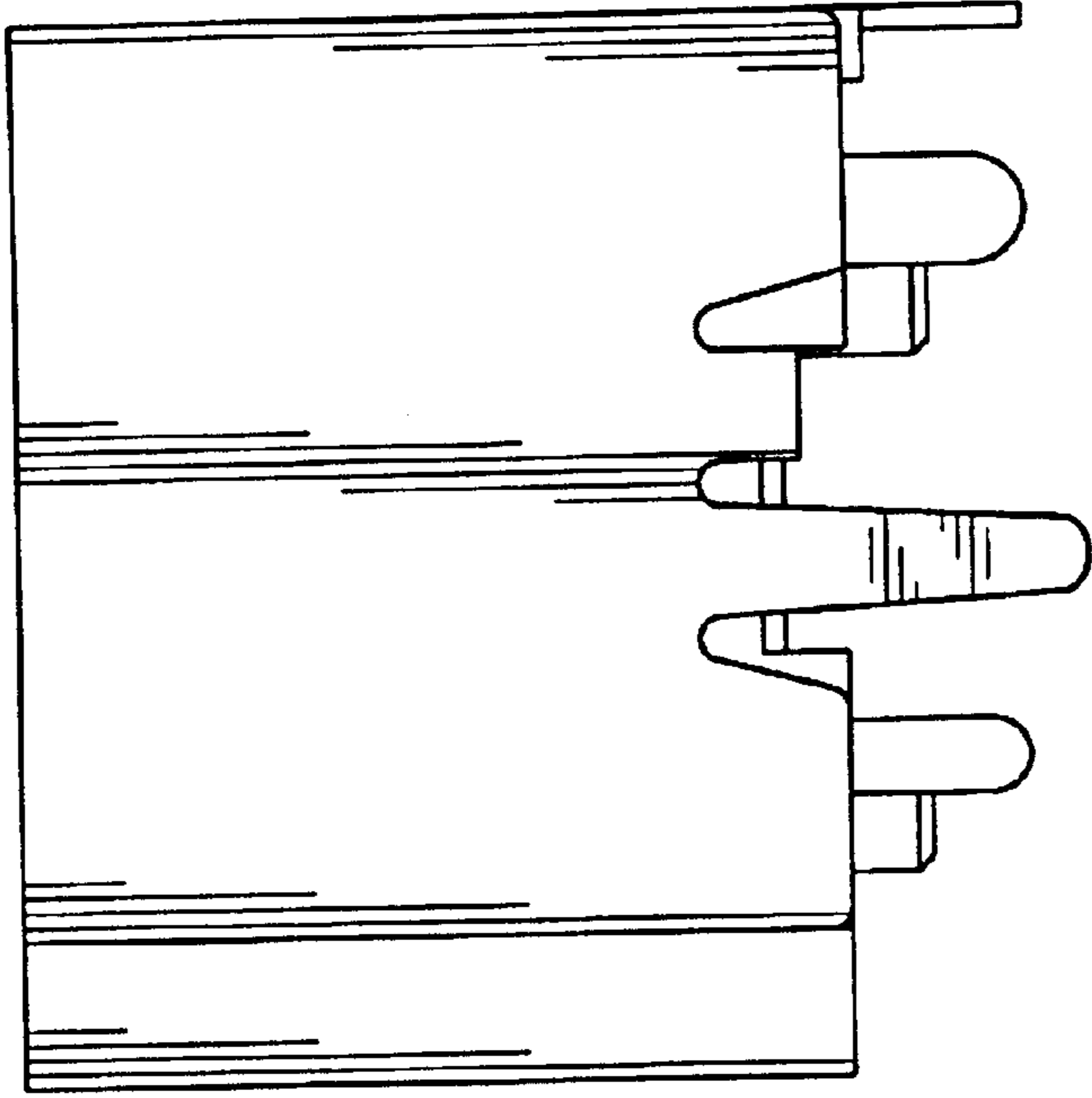


FIG. 5

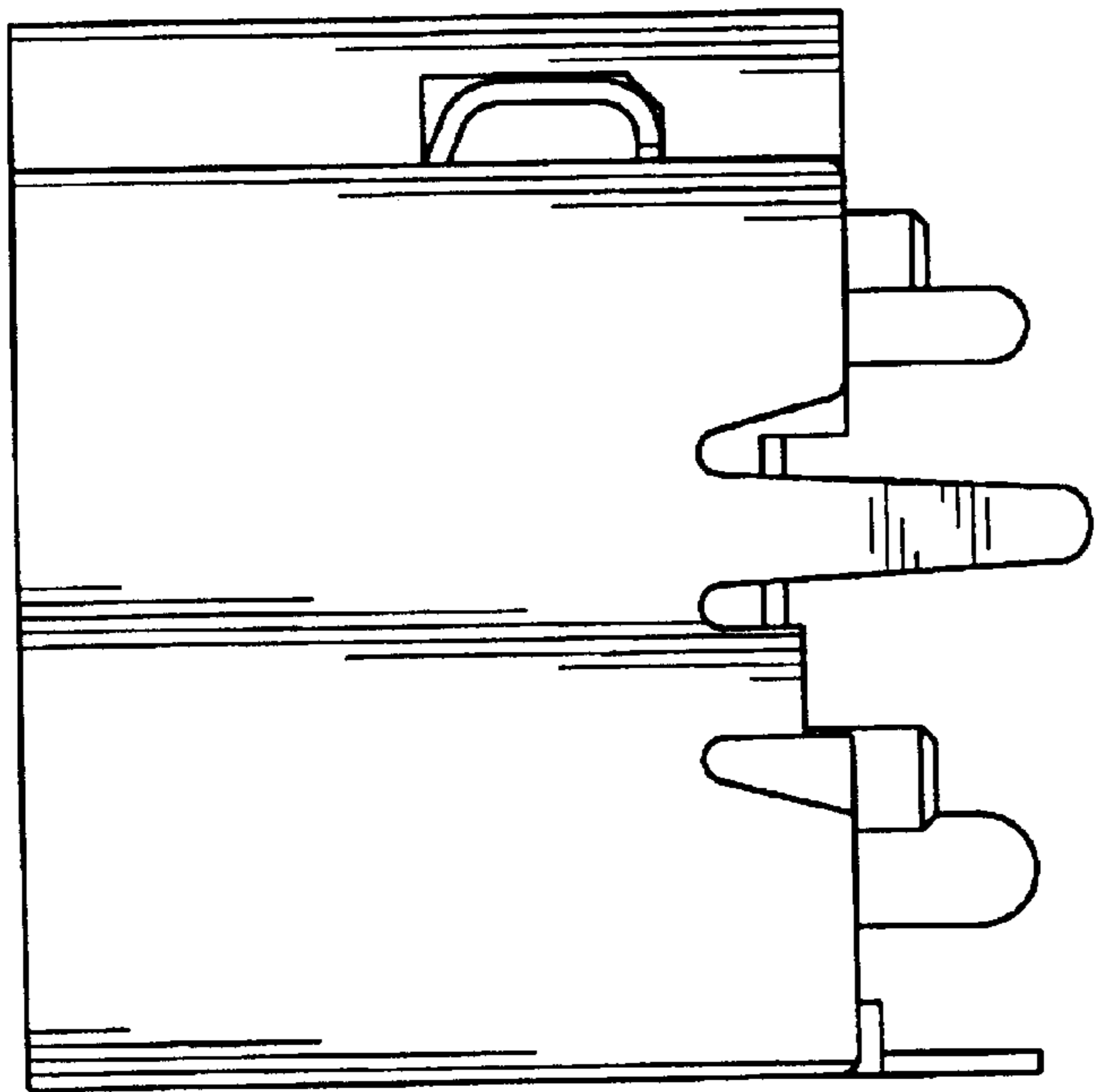


FIG. 4

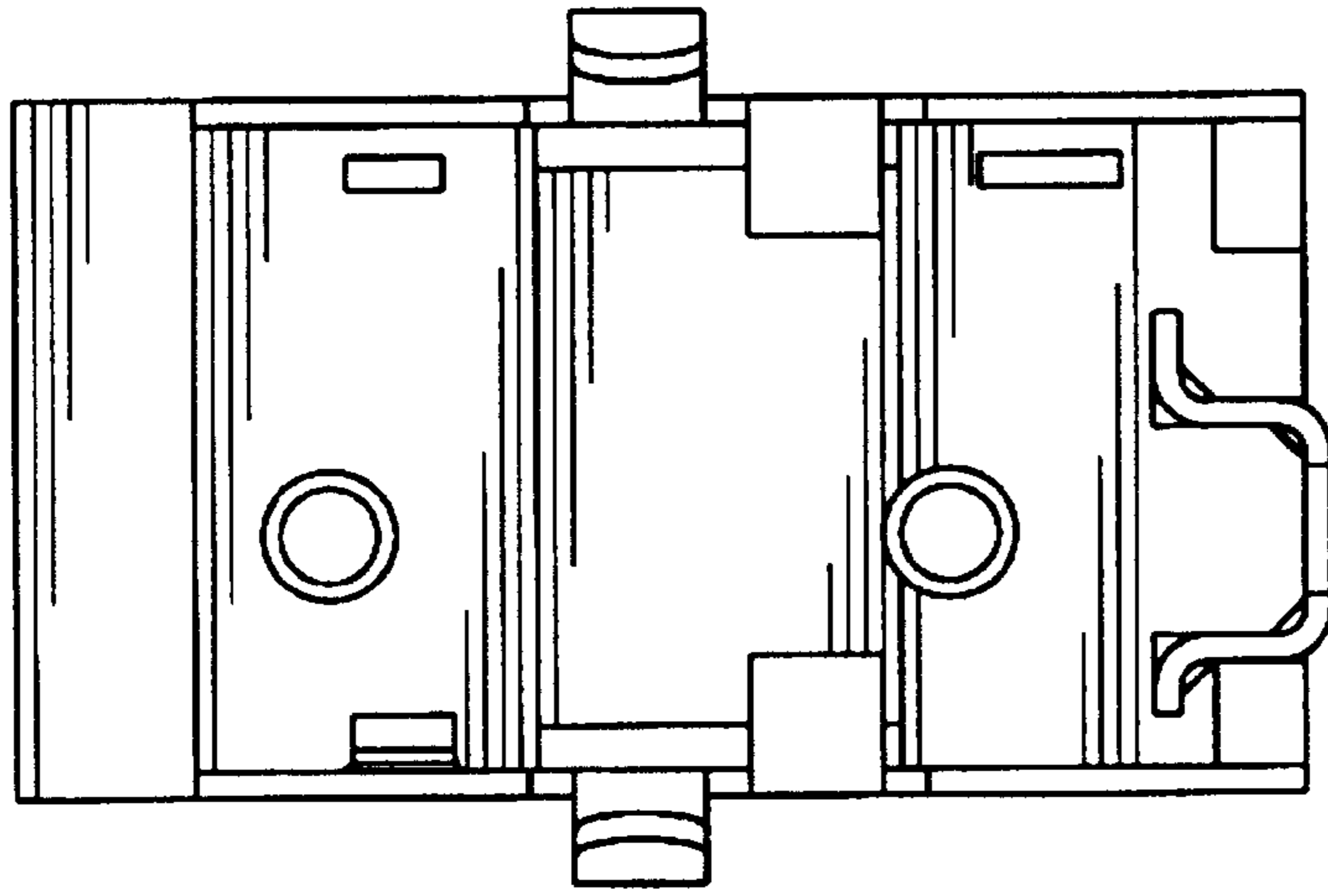


FIG. 7

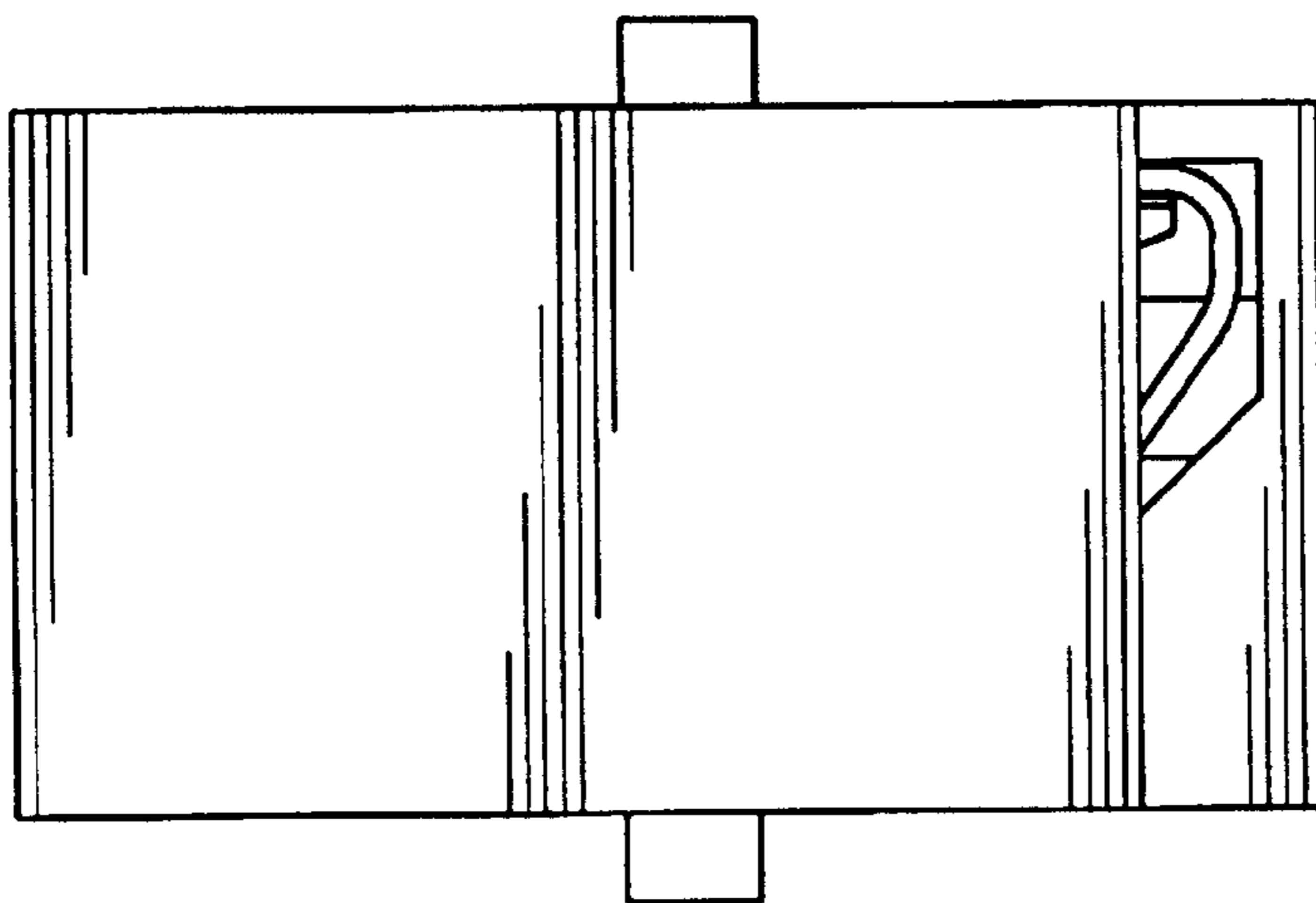


FIG. 6