



US00D435014S

United States Patent [19] Julian

[11] Patent Number: Des. 435,014

[45] Date of Patent: ** Dec. 12, 2000

[54] **END STYLE THREE-POSITION BATTERY CABLE TERMINATION**

[75] Inventor: **John K. Julian**, Elmhurst, Ill.

[73] Assignee: **Julian Electric, Inc.**, Ill.

[**] Term: **14 Years**

[21] Appl. No.: **29/112,263**

[22] Filed: **Oct. 13, 1999**

[51] **LOC (7) Cl.** **13-03**

[52] **U.S. Cl.** **D13/120**

[58] **Field of Search** D13/120; 439/766, 439/801, 868, 883; 429/123, 763

[56] **References Cited**

U.S. PATENT DOCUMENTS

D. 303,108	8/1989	Julian et al.	D13/120
4,288,504	9/1981	Julian et al.	429/179
4,420,213	12/1983	Julian et al.	439/522
4,473,264	9/1984	Julian et al.	439/135
5,071,368	12/1991	Garritano et al.	439/504
5,620,338	4/1997	Stephens et al.	439/766 X
5,876,873	3/1999	Mattan	429/181

Primary Examiner—Joel Sincavage

Attorney, Agent, or Firm—Patnaude & Videbeck

[57] **CLAIM**

The ornamental design for an end style three-position battery cable termination, as shown and described.

DESCRIPTION

FIG. 1 is a top plan view of the first embodiment of the end style three-position battery cable termination showing my new design,

FIG. 2 is a top plan view of the second embodiment of the end style three-position battery cable termination, showing my new design,

FIG. 3 is a top plan view of the third embodiment of the end style three-position battery cable termination, showing my new design,

FIG. 4 is a top plan view of the fourth embodiment of the end style three-position battery cable termination, showing my new design,

FIG. 5 is a left side elevational view of the first embodiment thereof,

FIG. 6 is a left side elevational view of the second embodiment thereof,

FIG. 7 is a left side elevational view of the third embodiment thereof,

FIG. 8 is a left side elevational view of the fourth embodiment thereof,

FIG. 9 is a right side elevational view of the first embodiment thereof,

FIG. 10 is a right side elevational view of the second embodiment thereof,

FIG. 11 is a right side elevational view of the third embodiment thereof,

FIG. 12 is a right side elevational view of the fourth embodiment thereof,

FIG. 13 is a back end elevational view of the first embodiment thereof,

FIG. 14 is a back end elevational view of the second embodiment thereof,

FIG. 15 is a back end elevational view of the third embodiment thereof,

FIG. 16 is a back end elevational view of the fourth embodiment thereof,

FIG. 17 is a front end elevational view of the first embodiment thereof,

FIG. 18 is a front end elevational view of the second embodiment thereof,

FIG. 19 is a front end elevational view of the third embodiment thereof,

FIG. 20 is a front end elevational view of the fourth embodiment thereof,

FIG. 21 is a bottom plan view of the first embodiment thereof,

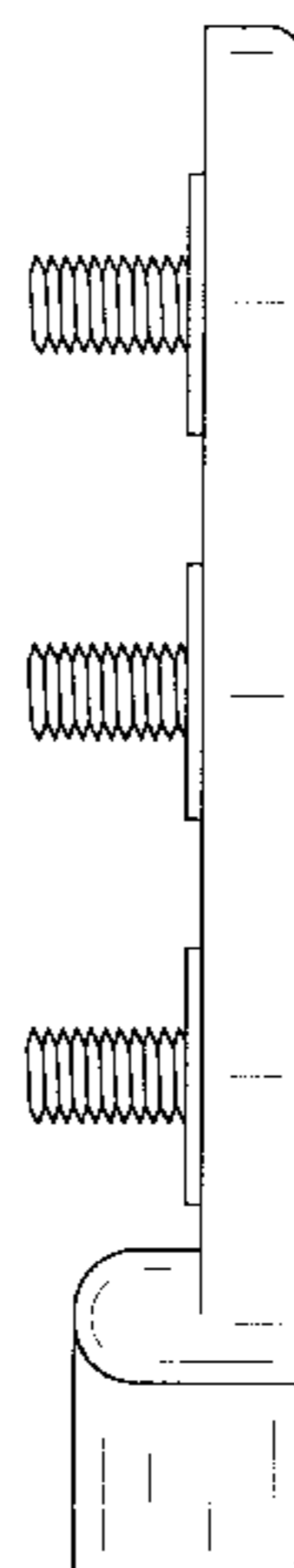
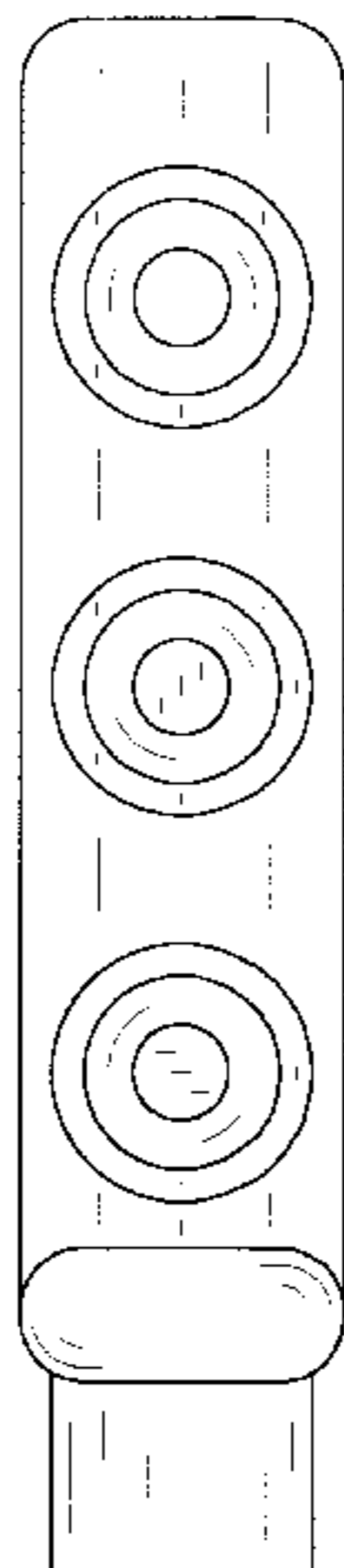
FIG. 22 is a bottom plan view of the second embodiment thereof,

FIG. 23 is a bottom plan view of the third embodiment thereof; and,

FIG. 24 is a bottom plan view of the fourth embodiment thereof.

The broken line showing throughout the drawings is included for the purpose of illustrating environmental structure only and forms no part of the claimed design.

1 Claim, 5 Drawing Sheets



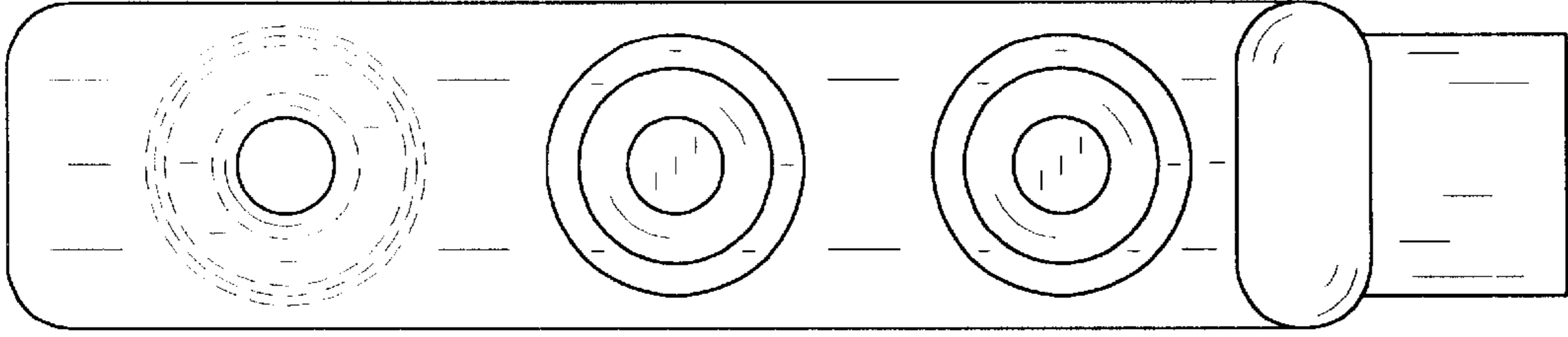


FIG. 4

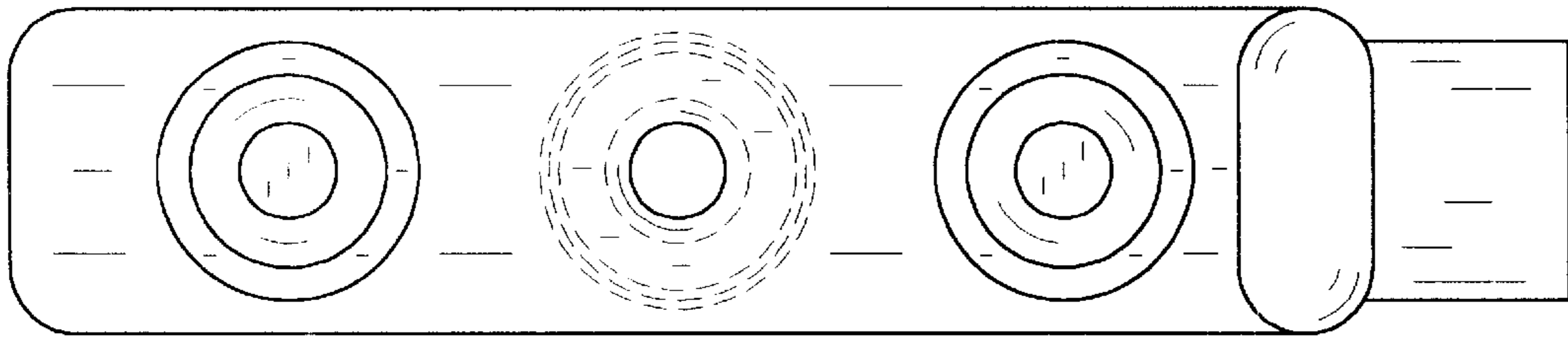


FIG. 3

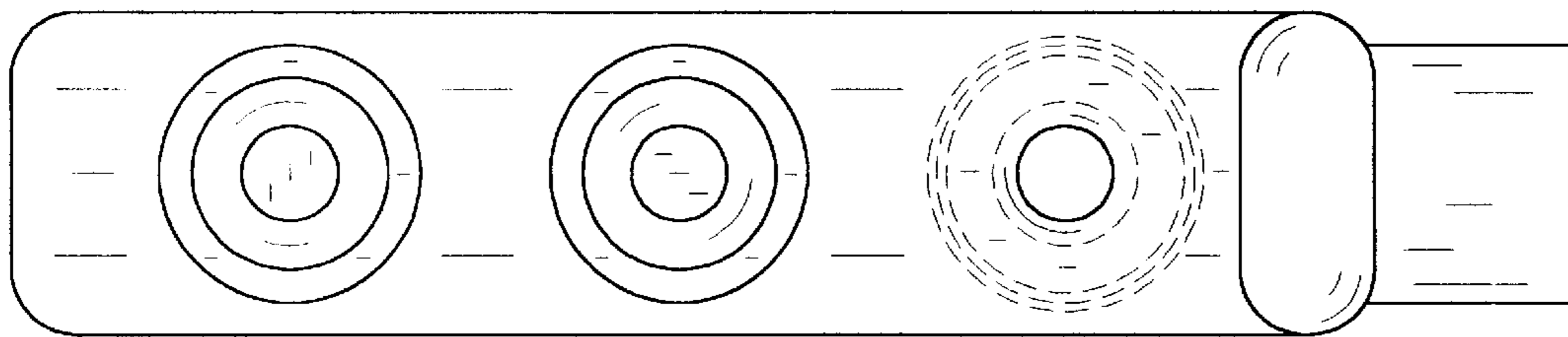


FIG. 2

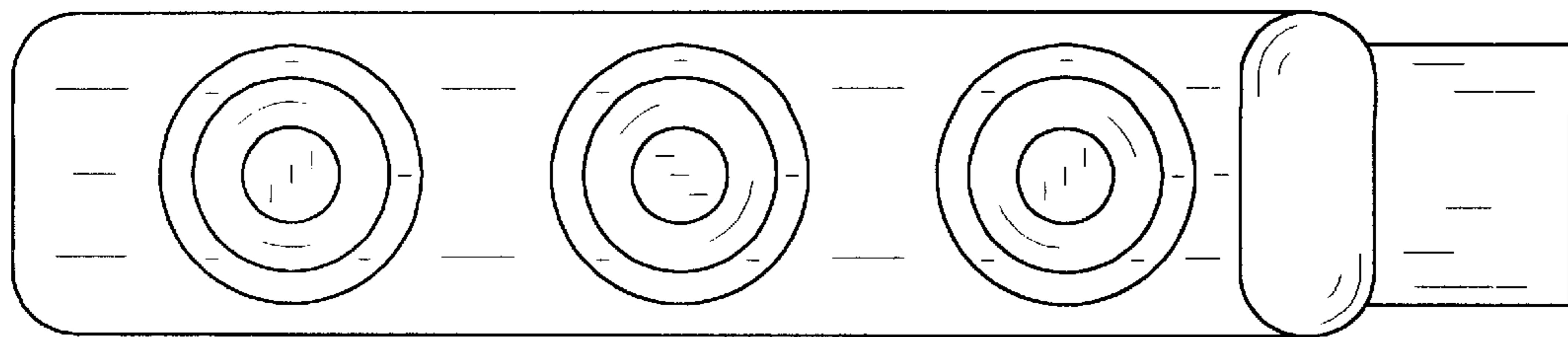


FIG. 1

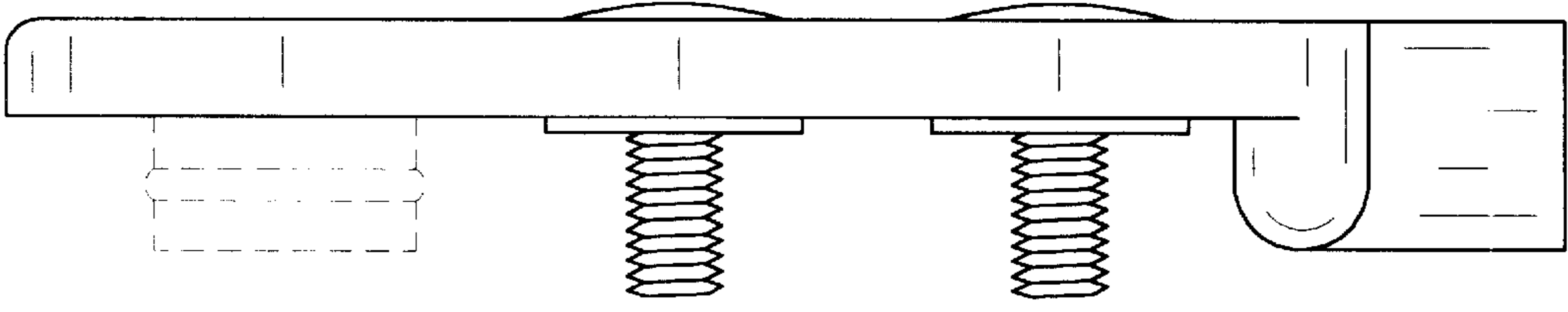


FIG. 8

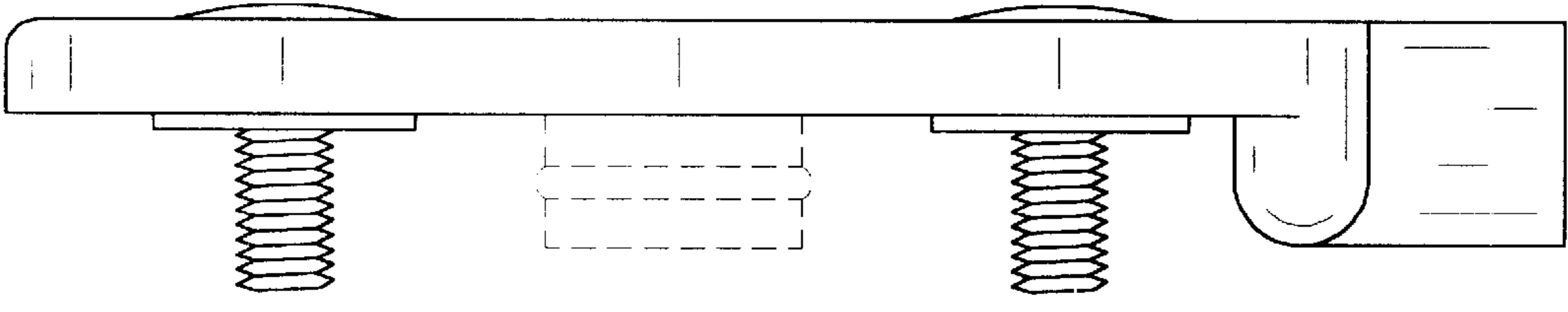


FIG. 7

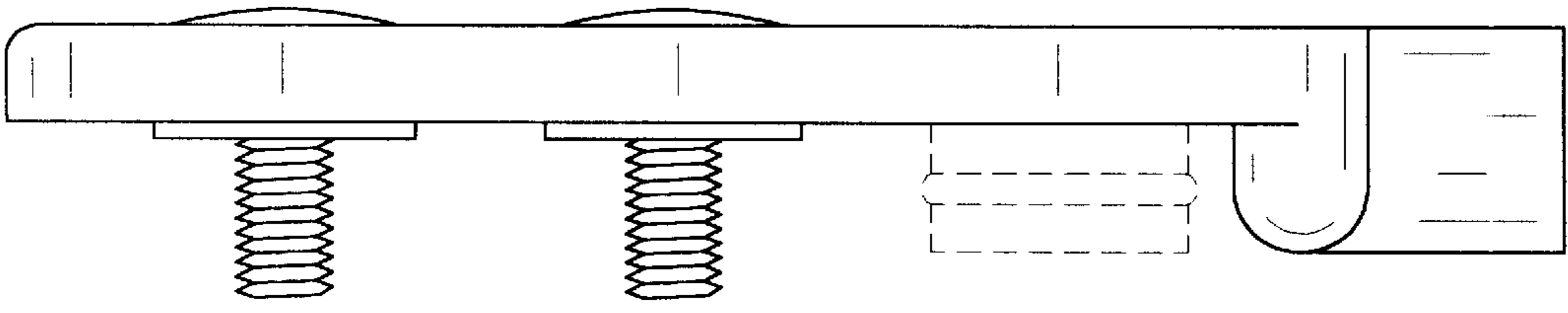


FIG. 6

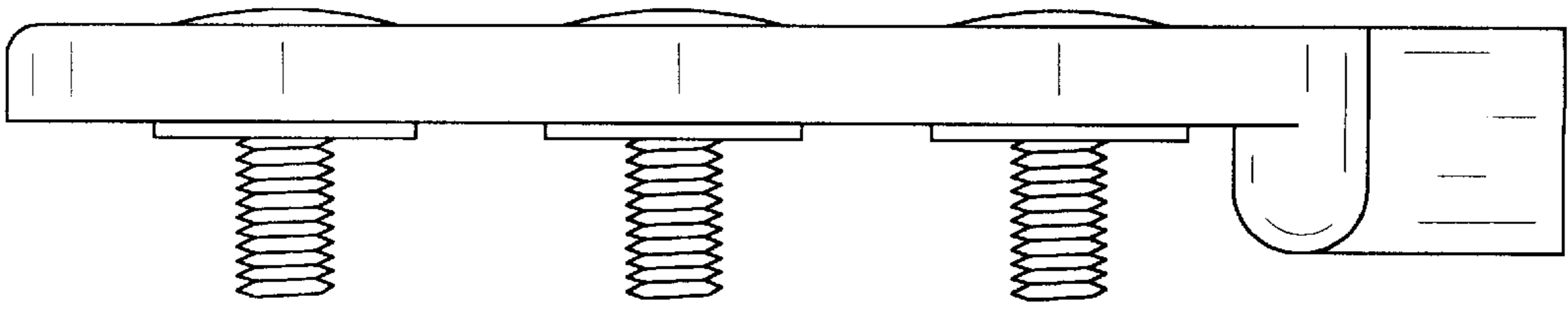


FIG. 5

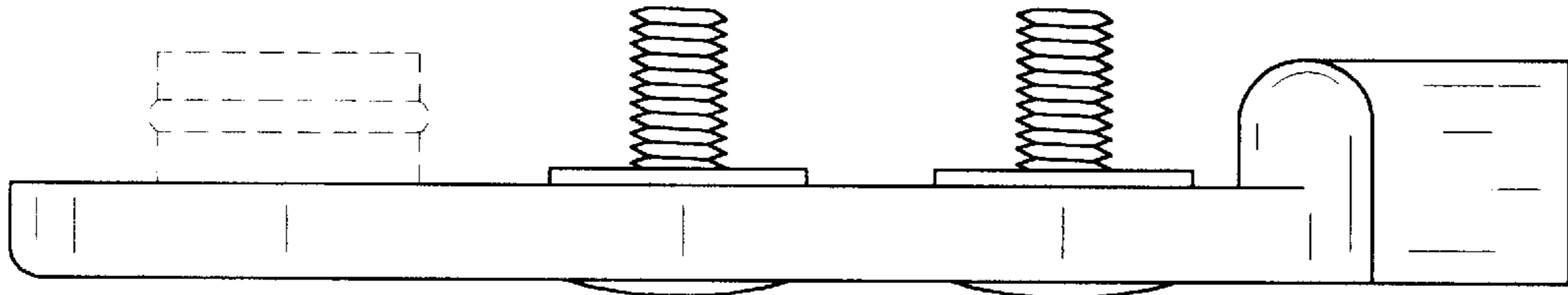


FIG. 9

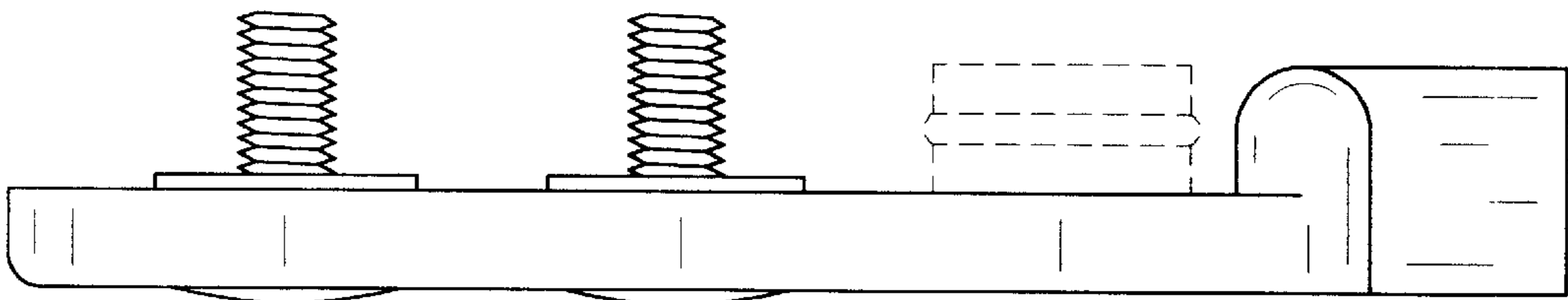


FIG. 10

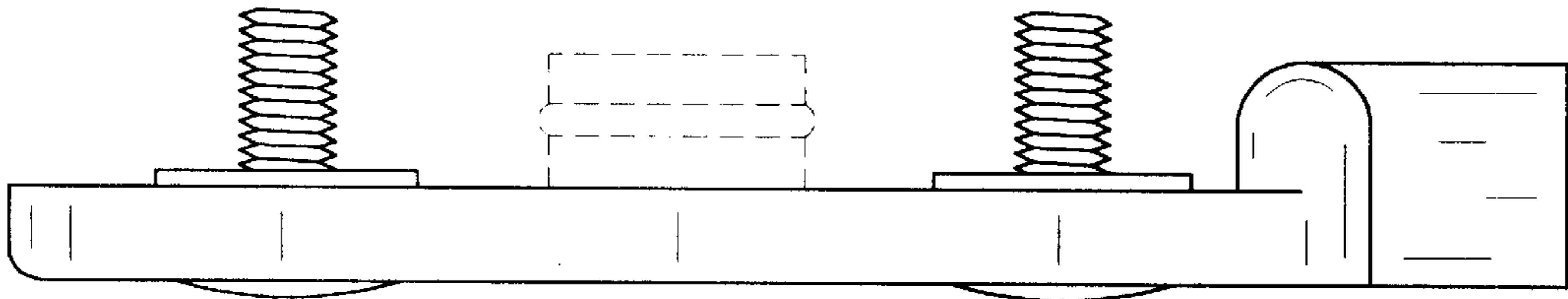


FIG. 11

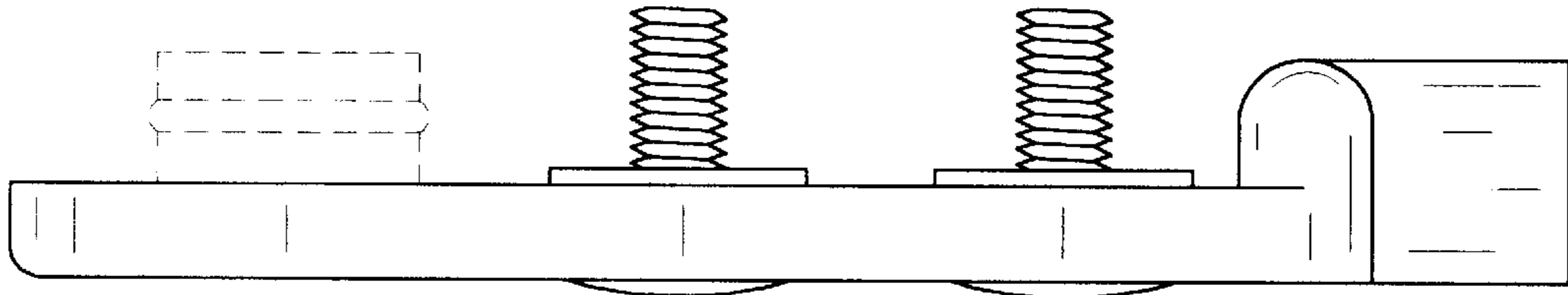


FIG. 12

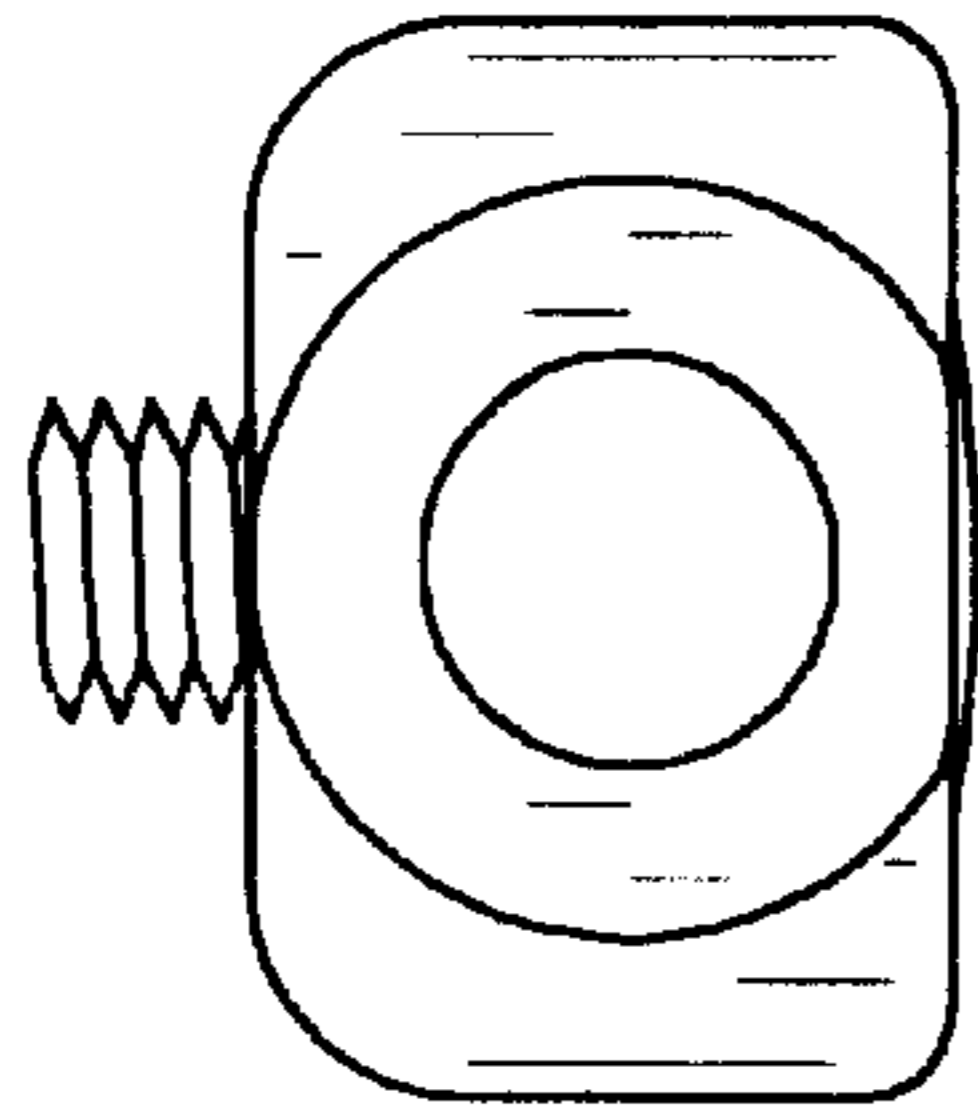


FIG. 13

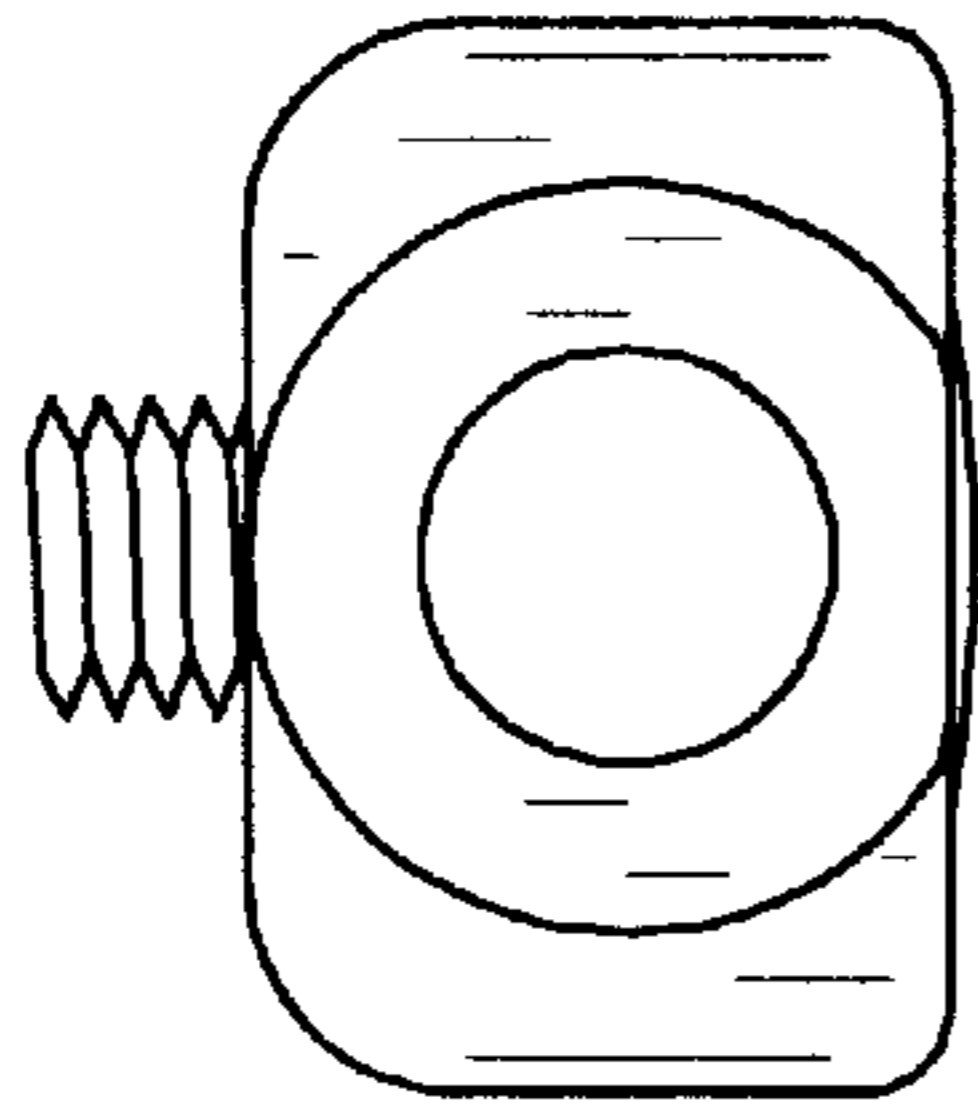


FIG. 14

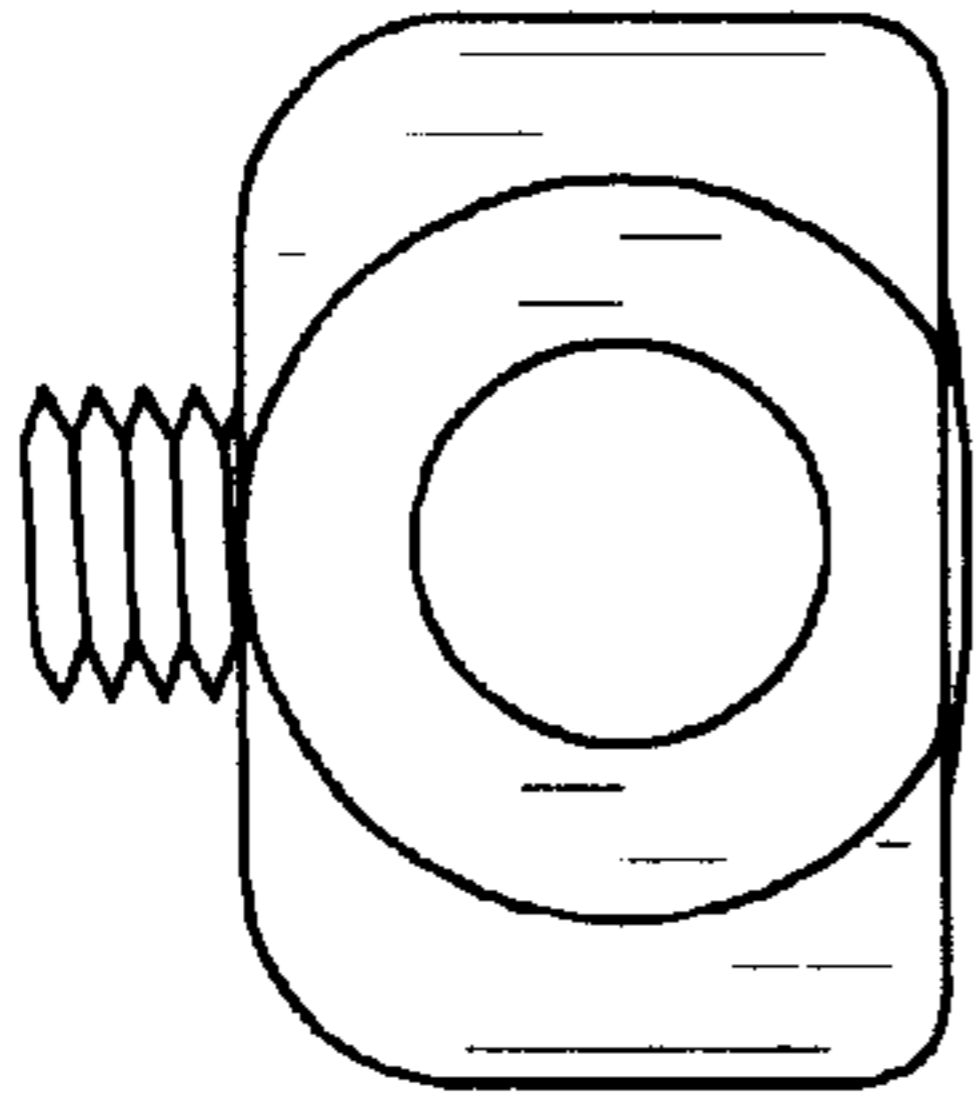


FIG. 15

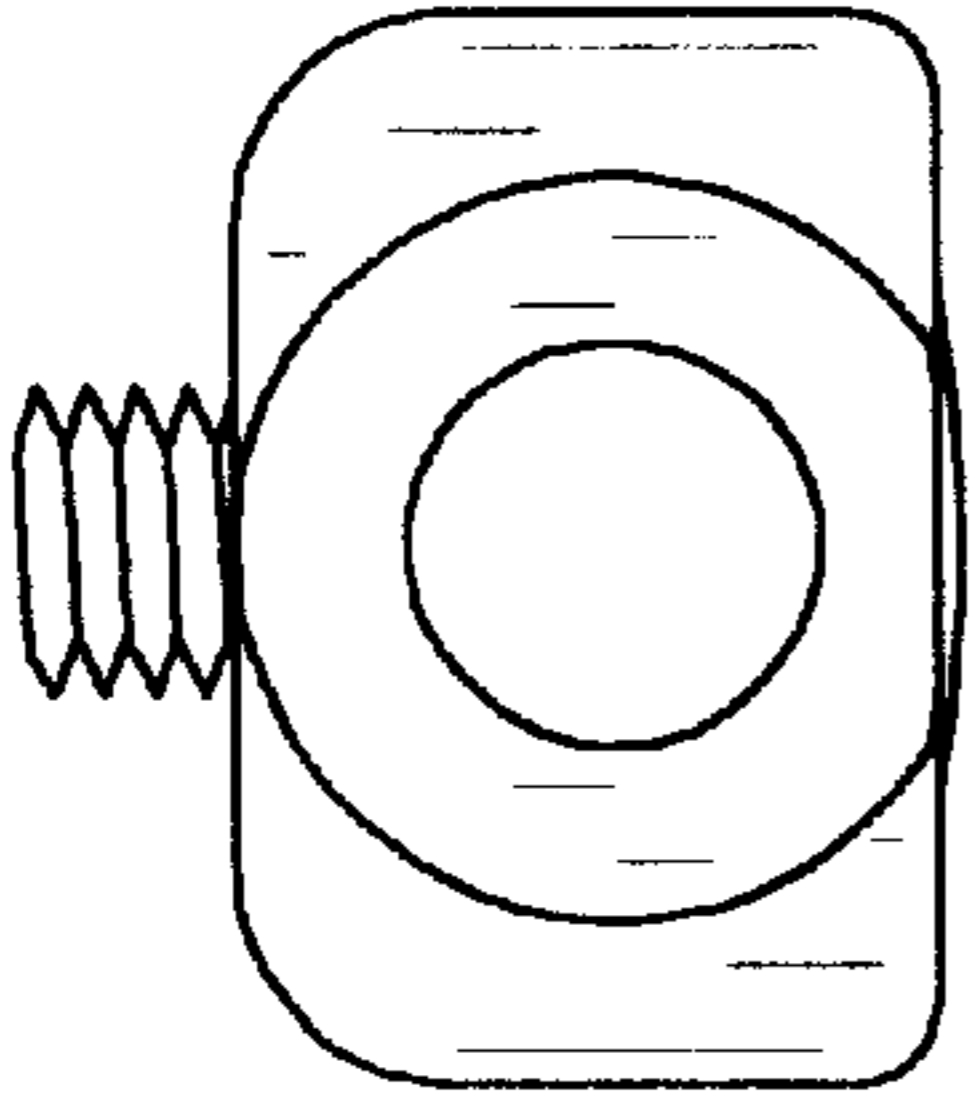


FIG. 16

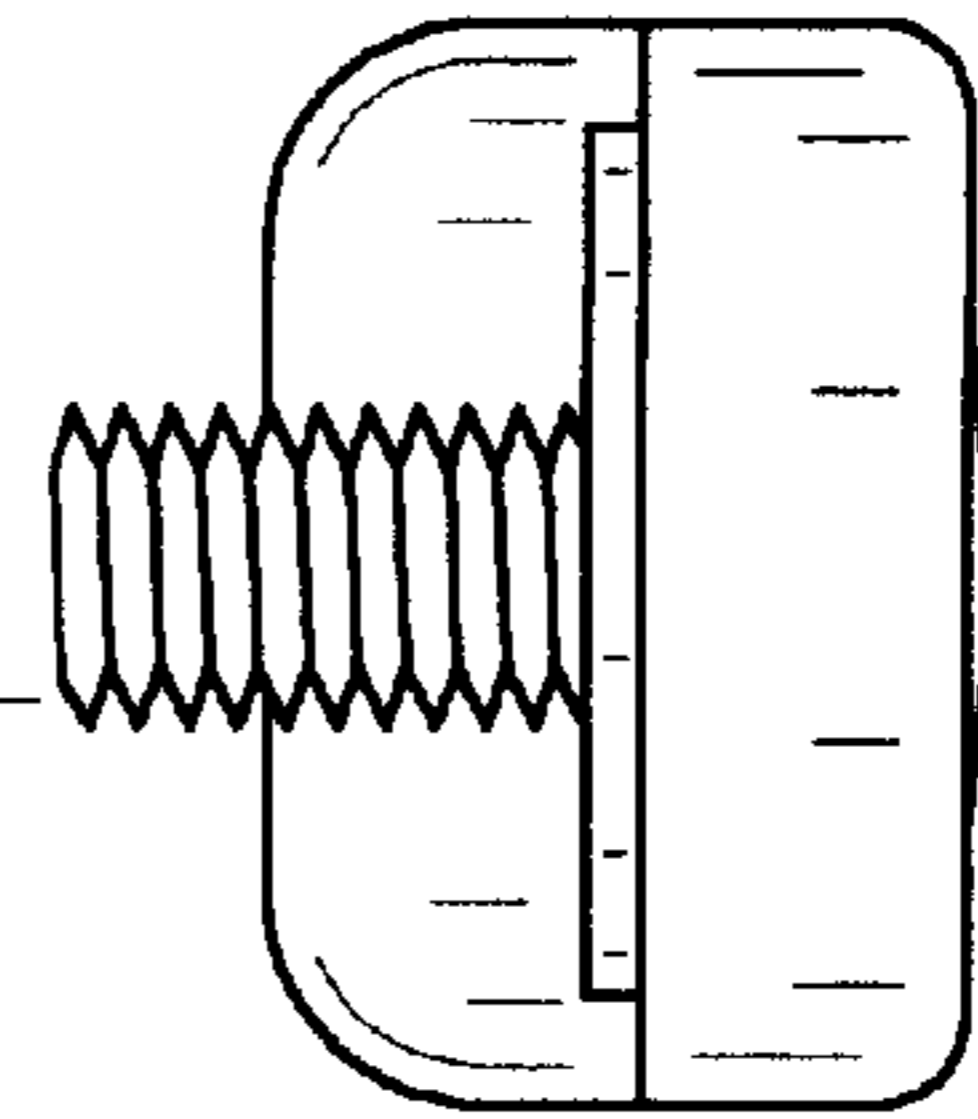


FIG. 17

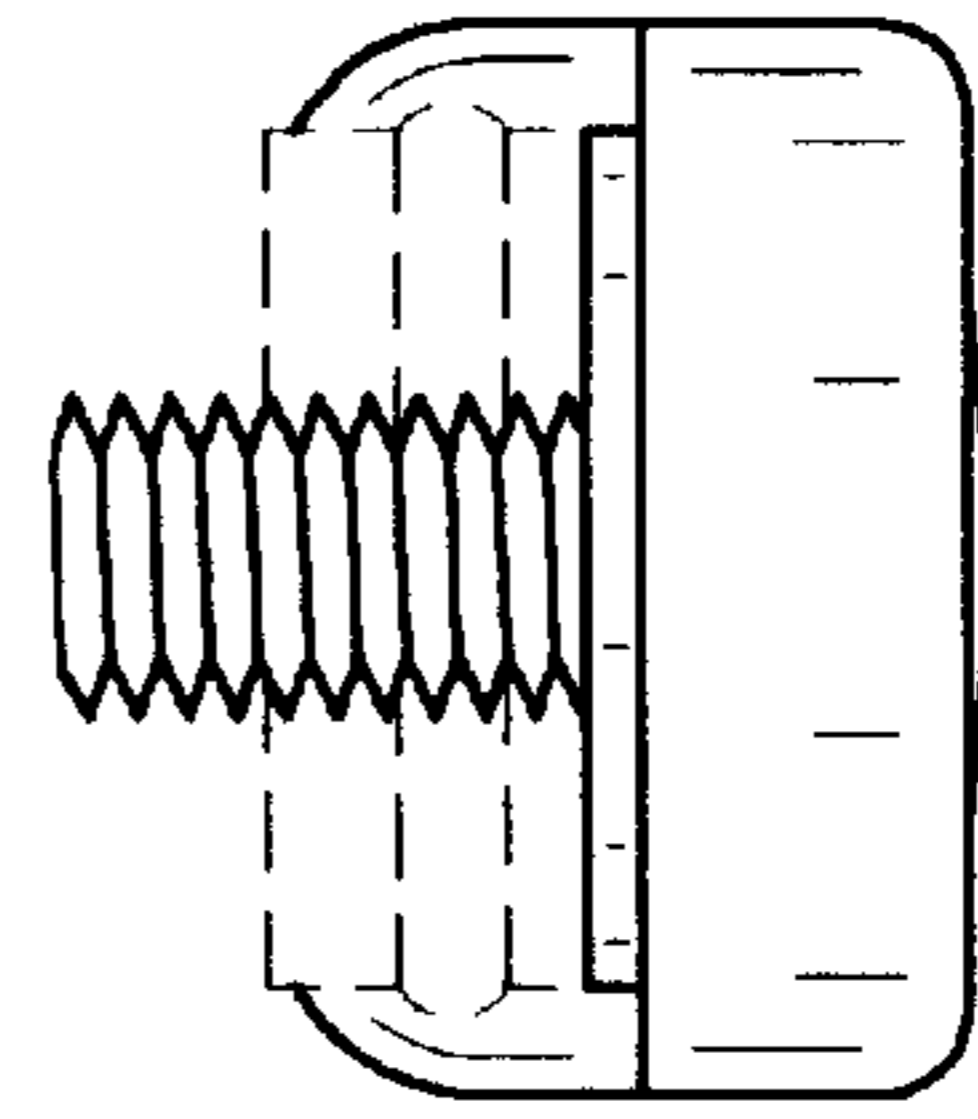


FIG. 18

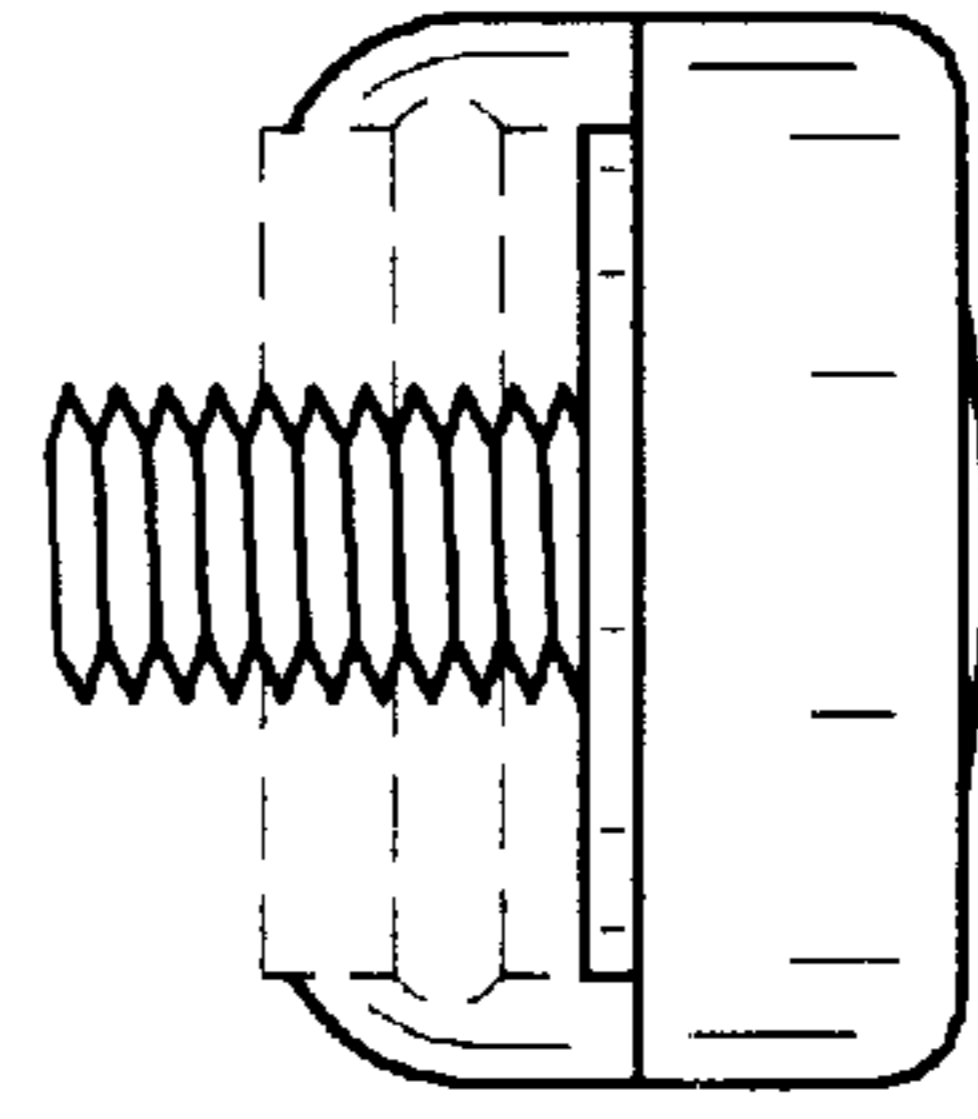


FIG. 19

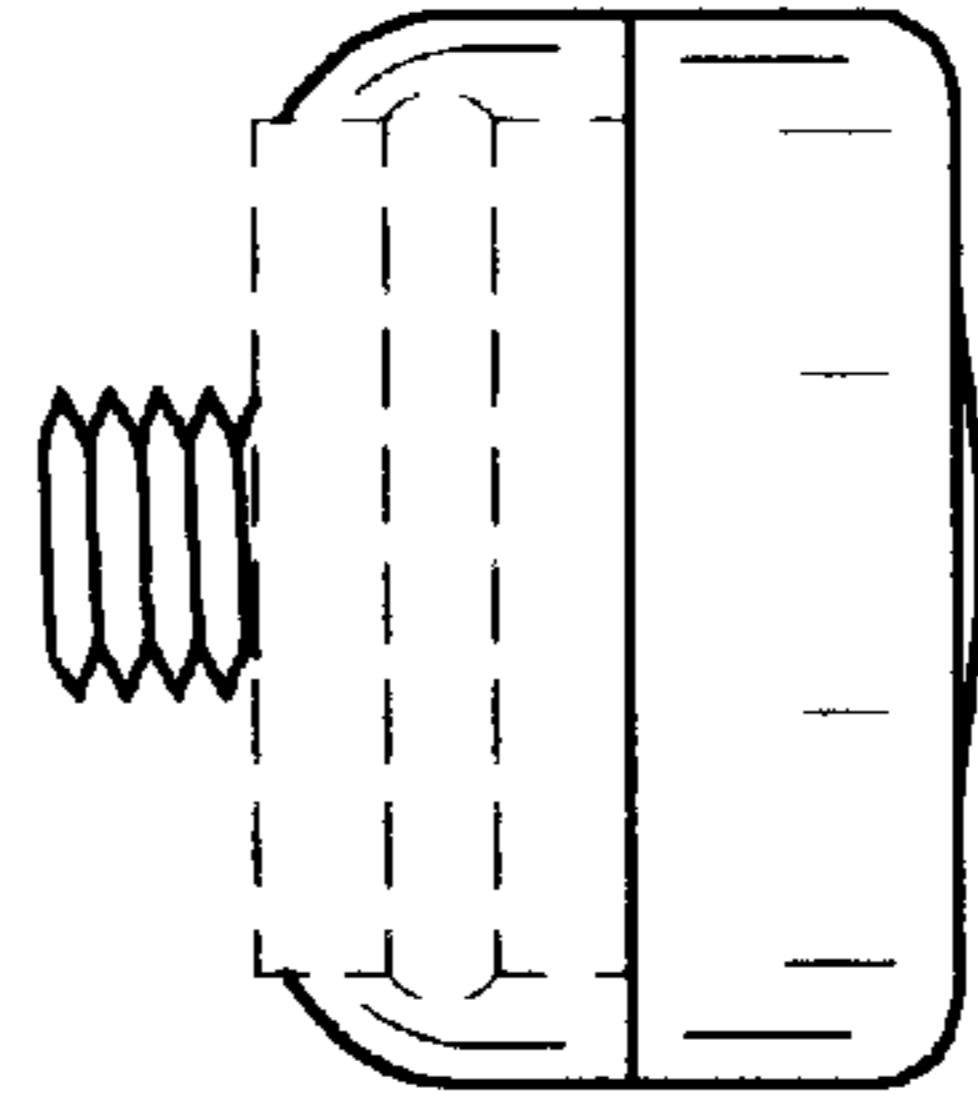


FIG. 20

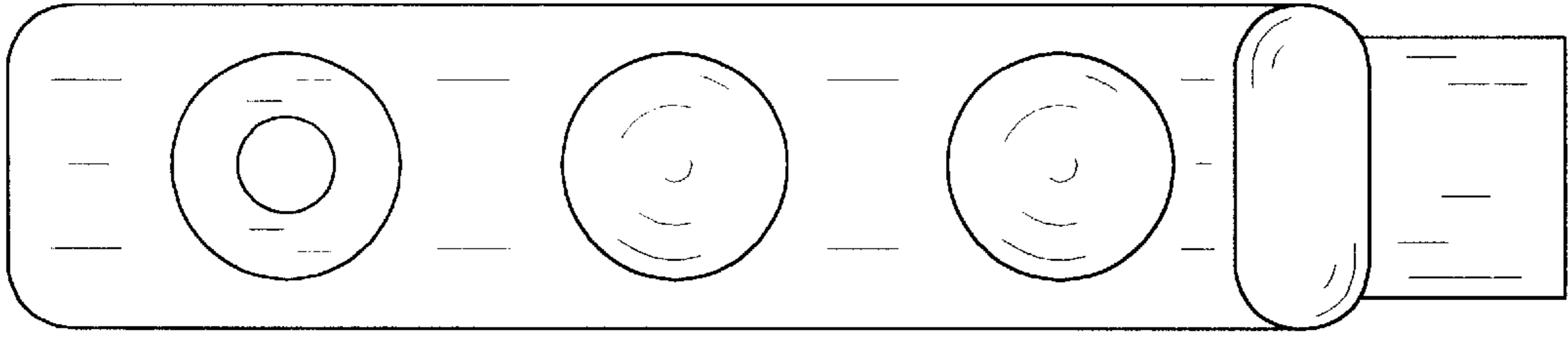


FIG. 24

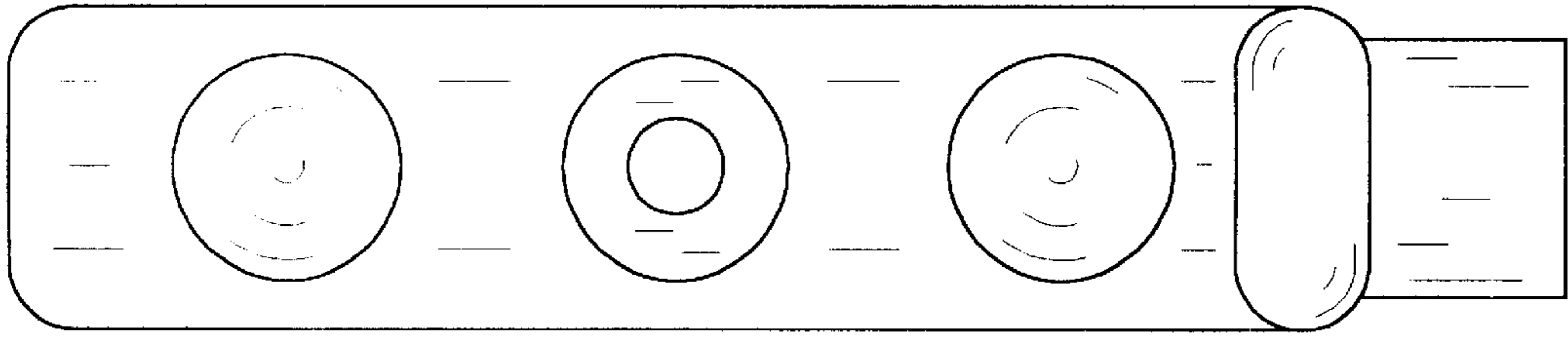


FIG. 23

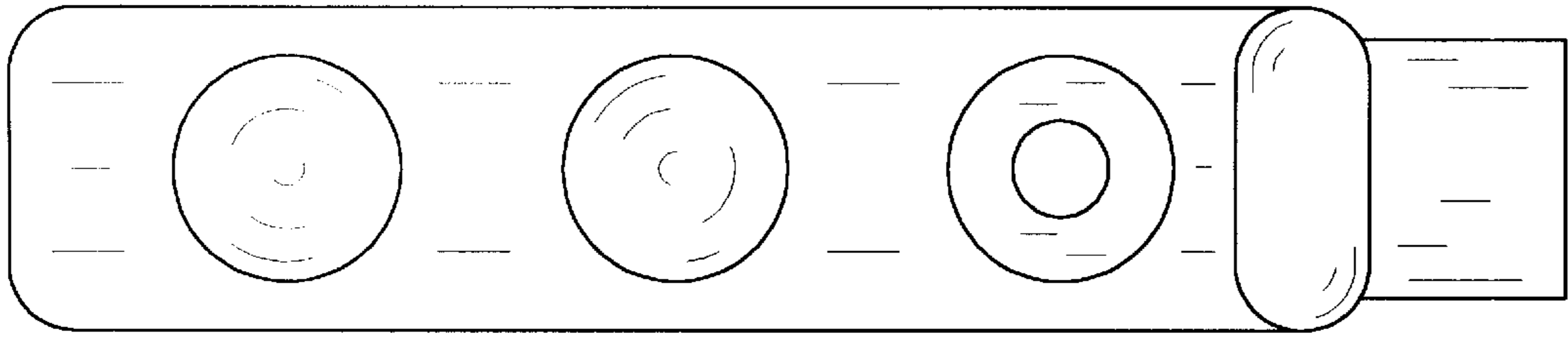


FIG. 22

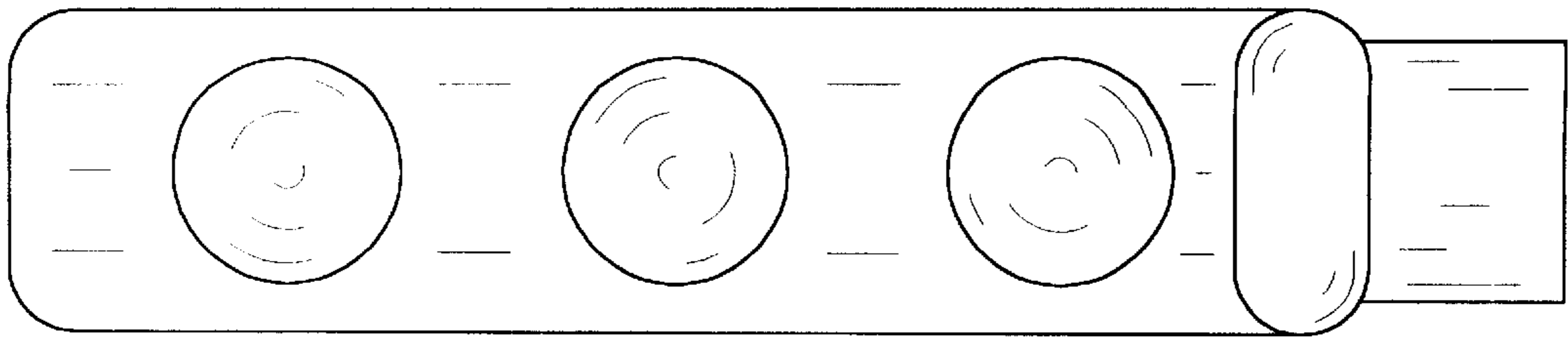


FIG. 21