



US00D435012S

United States Patent [19]

[11] **Patent Number: Des. 435,012**

Walterscheid et al.

[45] **Date of Patent: ** Dec. 12, 2000**

[54] **EXTERIOR SURFACE CONFIGURATION OF A CABINET FOR A VEHICLE**

D. 380,189	6/1997	Hellhake et al.	D12/424
D. 381,007	7/1997	Hellhake et al.	D12/423
D. 420,970	2/2000	Sacco et al.	D12/415
D. 425,475	5/2000	Herer	D12/424

[75] Inventors: **Wade J. Walterscheid**, Rosston;
William D. Starkey, Krum; **Louis D. Heilaneh**, Lewisville; **Bryan R. Besler-Bergero**, Denton, all of Tex.

Primary Examiner—Stacia Cadmus
Attorney, Agent, or Firm—Sidley & Austin

[73] Assignee: **Paccar Inc.**, Bellevue, Wash.

[57] **CLAIM**

[**] Term: **14 Years**

The ornamental design for an exterior surface configuration of a cabinet for a vehicle, as shown and described.

[21] Appl. No.: **29/117,384**

DESCRIPTION

[22] Filed: **Jan. 21, 2000**

[51] **LOC (7) Cl.** **12-16**

[52] **U.S. Cl.** **D12/424**

[58] **Field of Search** D12/400, 415,
D12/419, 421–426, 426.1; 296/37.1–37.8,
37.12–37.16; 248/311.1–311.3; 108/43–46,
132, 146, 144, 157; 224/273, 275, 539–540,
566, 926–928; D9/434, 455

FIG. 1 is a front perspective view of an exterior surface configuration of a cabinet for a vehicle showing a first embodiment of our new design;
FIG. 2 is a front left side view thereof;
FIG. 3 is a front right side view thereof;
FIG. 4 is a top view thereof;
FIG. 5 is a reduced front perspective view thereof; and,
FIG. 6 is a reduced front perspective view of an exterior surface configuration of a cabinet for a vehicle showing a second embodiment of our new design. The second embodiment is identical to that shown in FIGS. 1–5, except it is mirror symmetrical.

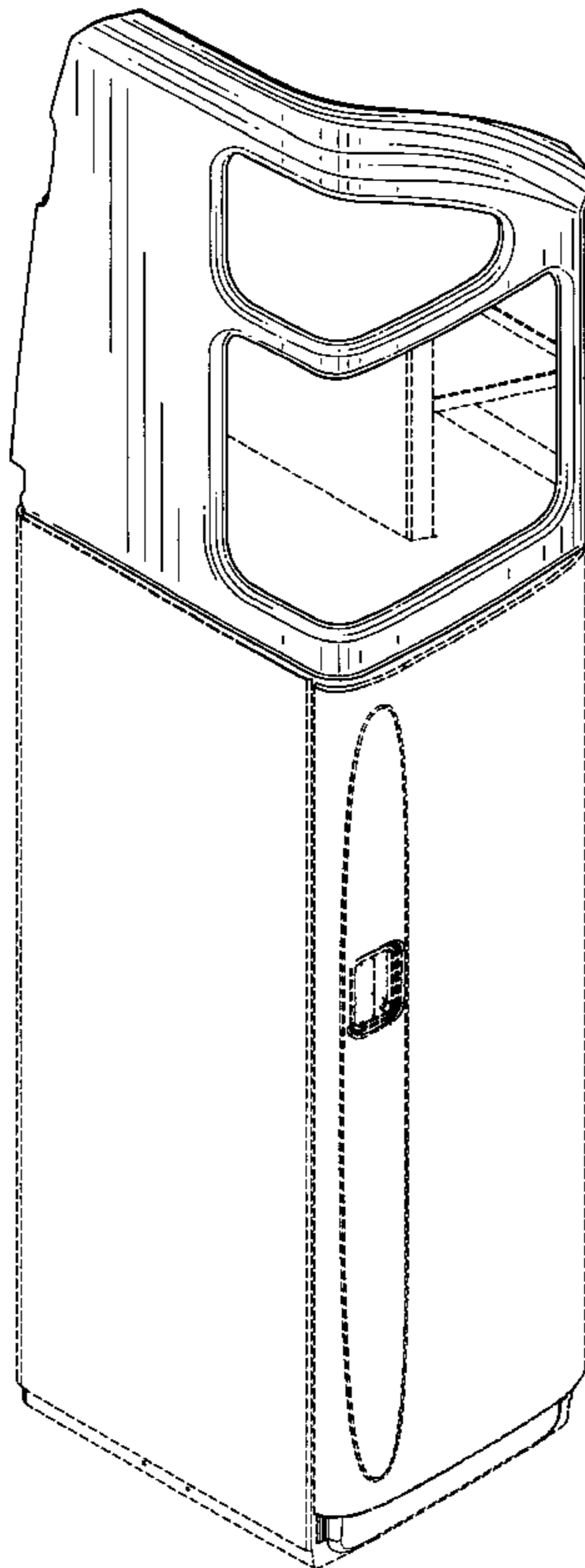
[56] **References Cited**

U.S. PATENT DOCUMENTS

D. 379,082	5/1997	Hellhake et al.	D12/424
D. 379,083	5/1997	Hellhake et al.	D12/424
D. 379,084	5/1997	Hellhake et al.	D12/424
D. 379,614	6/1997	Hellhake et al.	D12/423
D. 379,615	6/1997	Hellhake et al.	D12/423
D. 379,616	6/1997	Hellhake et al.	D12/423
D. 379,617	6/1997	Hellhake et al.	D12/424
D. 379,618	6/1997	Hellhake et al.	D12/425

The rear and bottom of the cabinets form no part of the claimed design. The shelves and hardware within the cabinets shown in broken lines are for illustrative purposes only and forms no part of the claimed design. The broken line showing of the below adjacent cabinets, in FIGS. 5 and 6, depict environment and are not part of the claimed design.

1 Claim, 6 Drawing Sheets



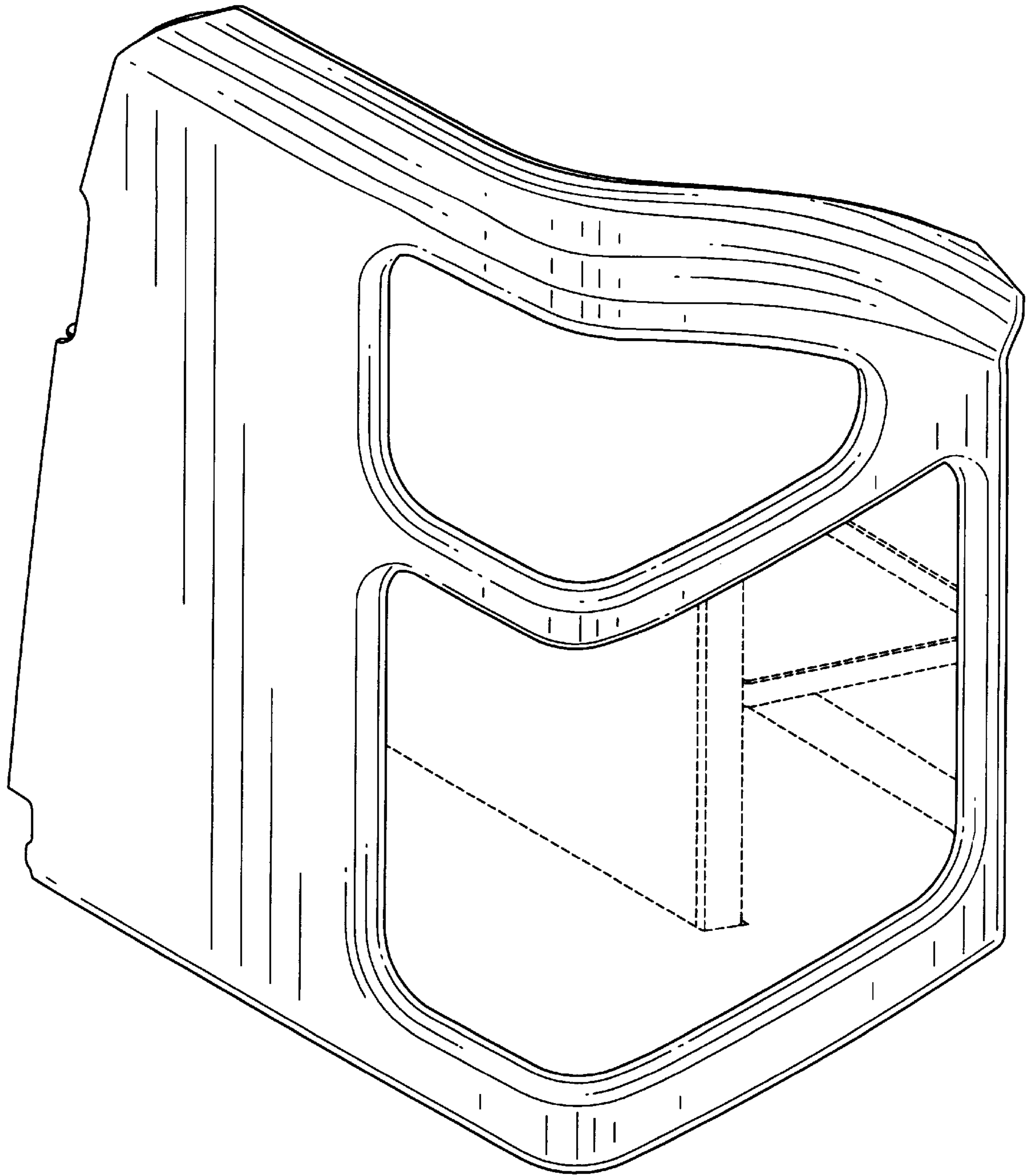


FIG. 1

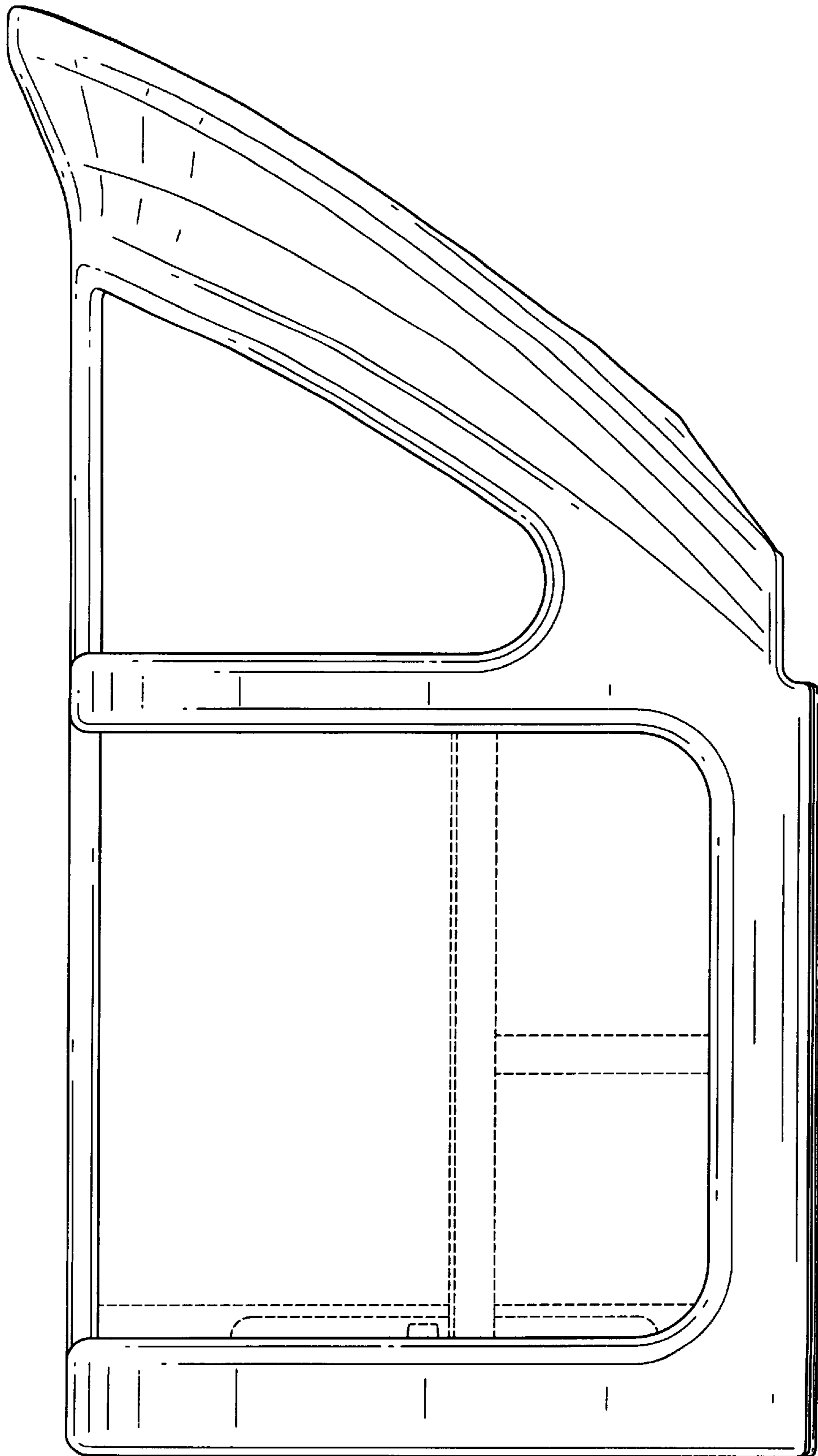


FIG. 2

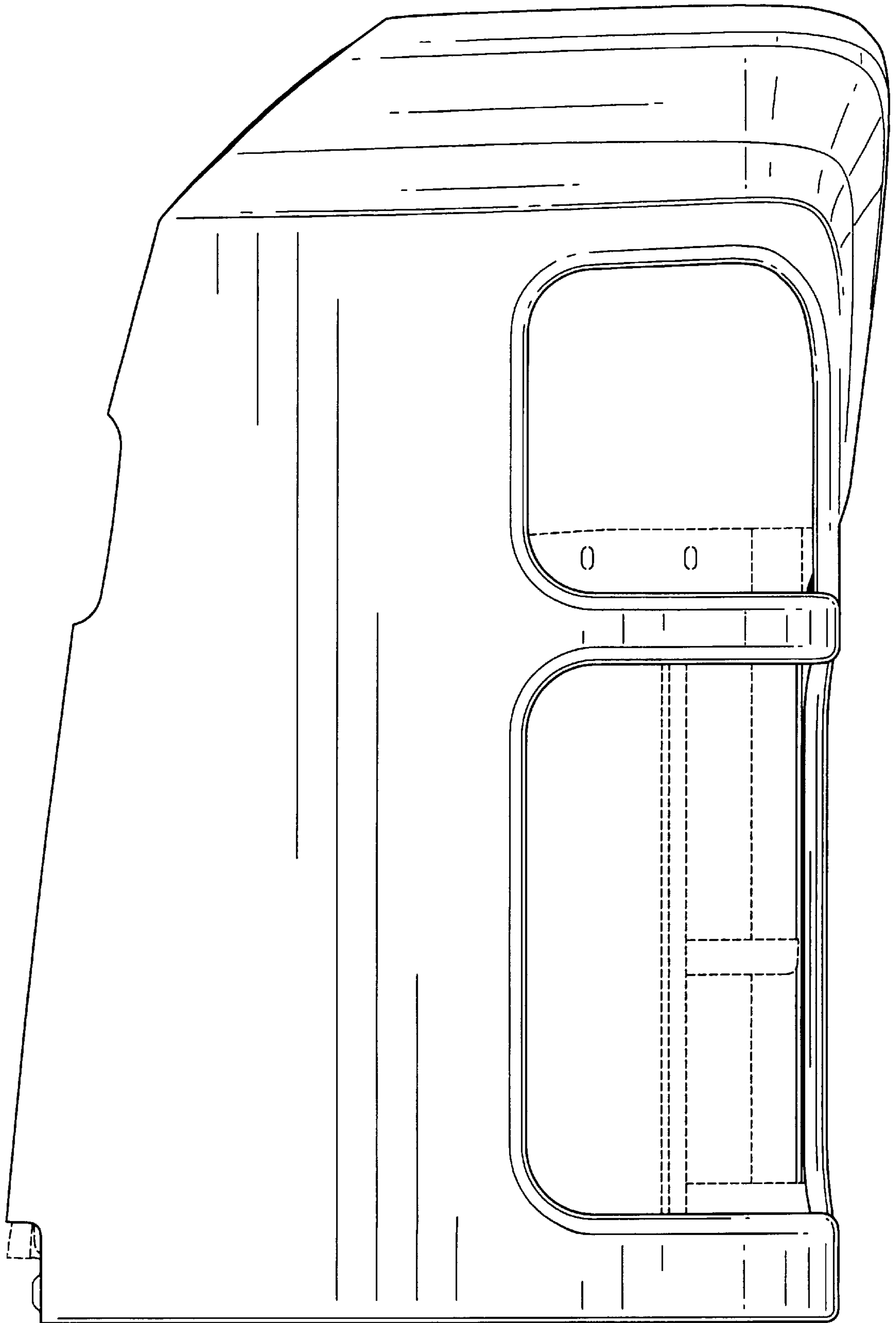


FIG. 3

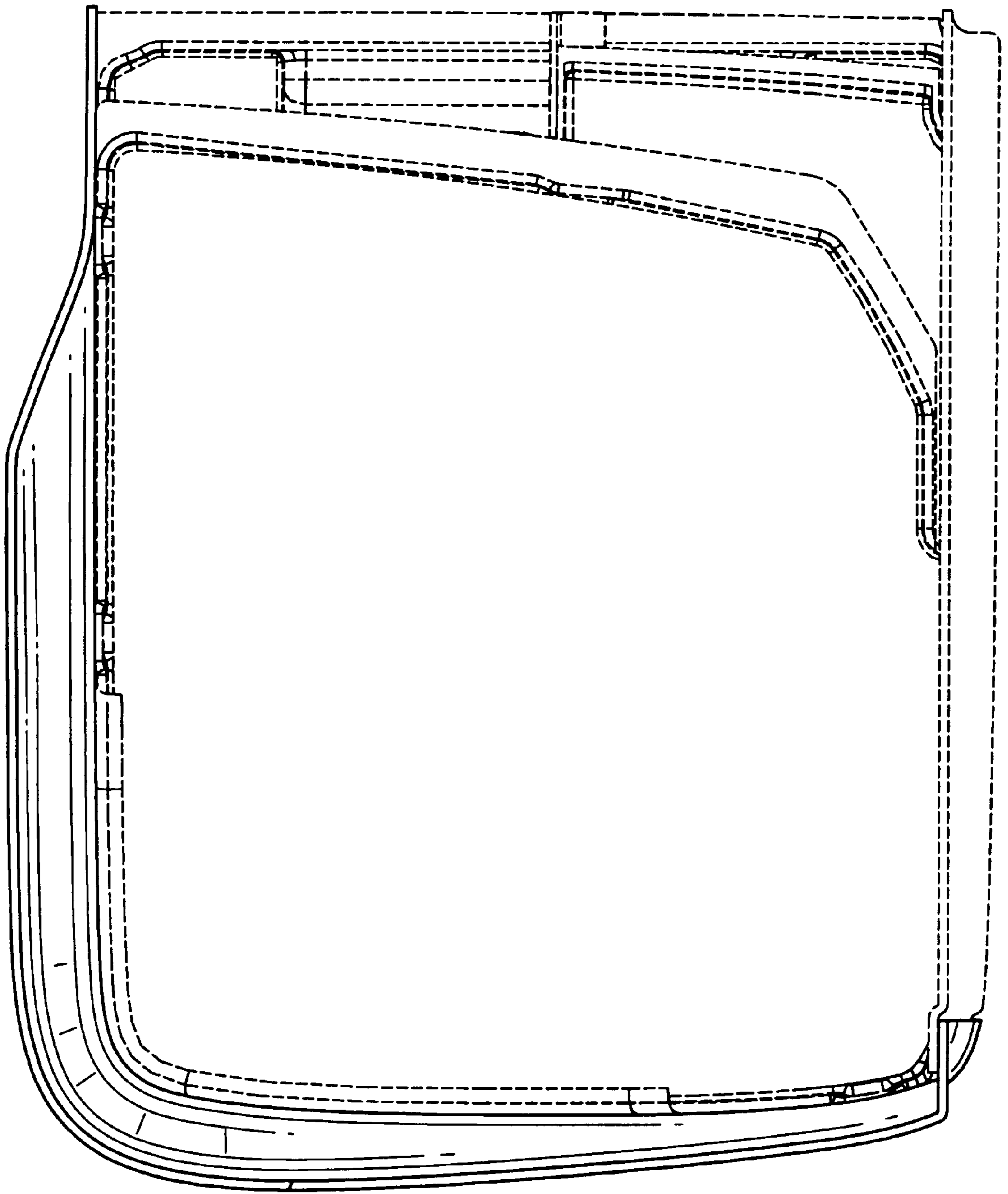


FIG. 4

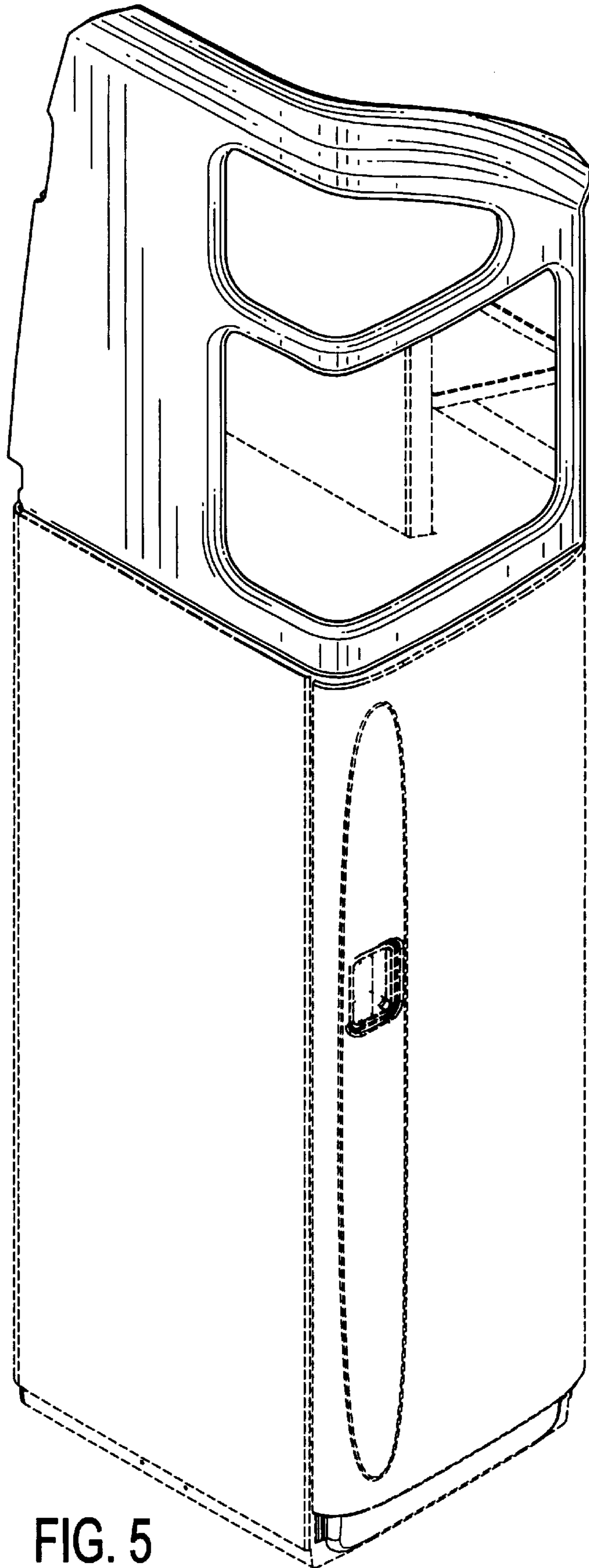


FIG. 5

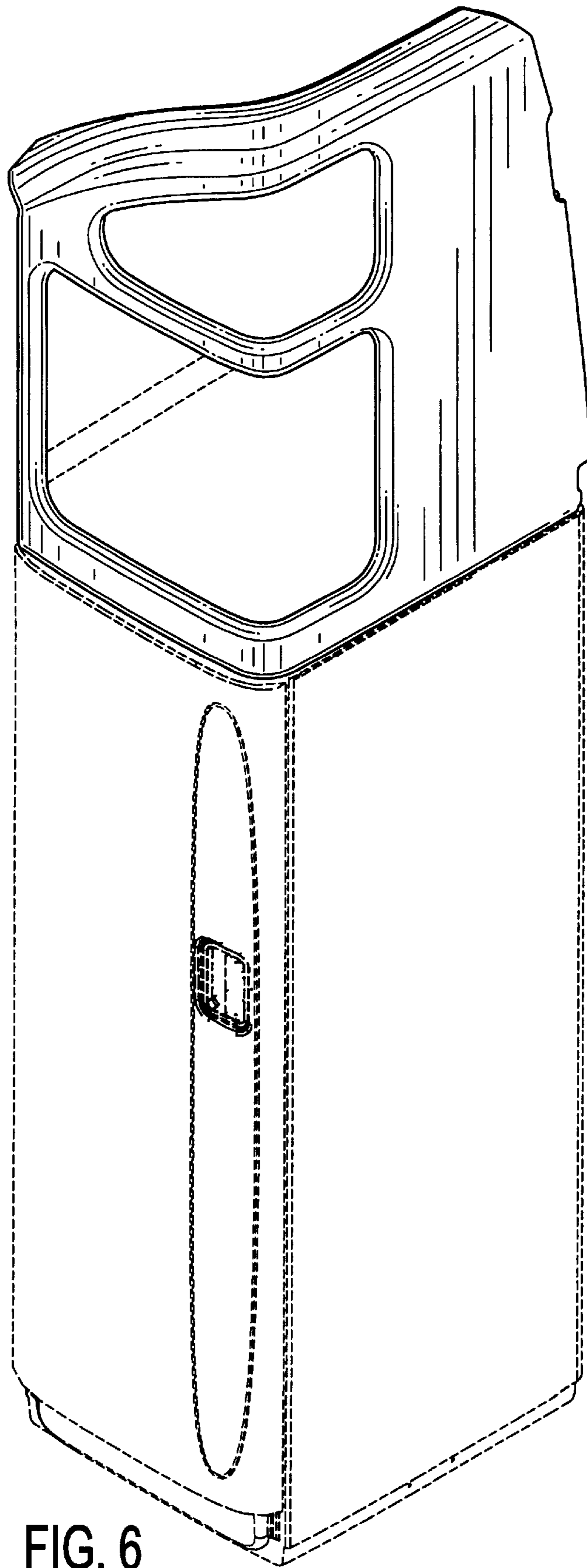


FIG. 6