



US00D435008S

# United States Patent [19]

[11] **Patent Number: Des. 435,008**

**Ball et al.**

[45] **Date of Patent: \*\* Dec. 12, 2000**

[54] **CAR ACCESSORY**

[75] Inventors: **Greg Ball**, Randolph; **David Dennison**, Morristown, both of N.J.

[73] Assignee: **Allison Corporation**, Livingston, N.J.

[\*\*] Term: **14 Years**

[21] Appl. No.: **29/112,148**

[22] Filed: **Oct. 12, 1999**

### Related U.S. Application Data

[62] Division of application No. 29/078,537, Oct. 17, 1997.

[51] **LOC (7) Cl.** ..... **12-16**

[52] **U.S. Cl.** ..... **D12/400**

[58] **Field of Search** ..... D12/400, 179, D12/190-192, 174, 153, 162; D8/300-305, 310, 387; D21/313, 318, 781; D11/222-224, 238-240, 48-49, 99, 81; 292/347

### [56] References Cited

#### U.S. PATENT DOCUMENTS

D. 214,981	8/1969	Nelson	.....	D12/153
D. 260,157	8/1981	Appel et al.	.....	D8/387 X
D. 340,986	11/1993	Arginsky	.....	D21/318 X
D. 347,787	6/1994	Galmines et al.	.....	D8/387
D. 357,541	4/1995	Neidell	.....	D8/305 X
D. 359,465	6/1995	Miller	.....	D11/223

D. 400,422	11/1998	Dennison et al.	.....	D8/305
D. 401,197	11/1998	Julian	.....	D12/162
D. 402,599	12/1998	Adelarr	.....	D12/162
D. 404,349	1/1999	Julian	.....	D12/162
D. 404,696	1/1999	Julian	.....	D12/162
D. 409,537	5/1999	Adelaar	.....	D12/162

### OTHER PUBLICATIONS

D & W Bestell Katalog, p. 817, See Items 1-5, 1994.  
Allison Auto Accessories, p. 53, See Items #8117, 8127, 8128 and 8129, 1992.

*Primary Examiner*—Stacia Cadmus  
*Attorney, Agent, or Firm*—Helfgott & Karas, P.C.

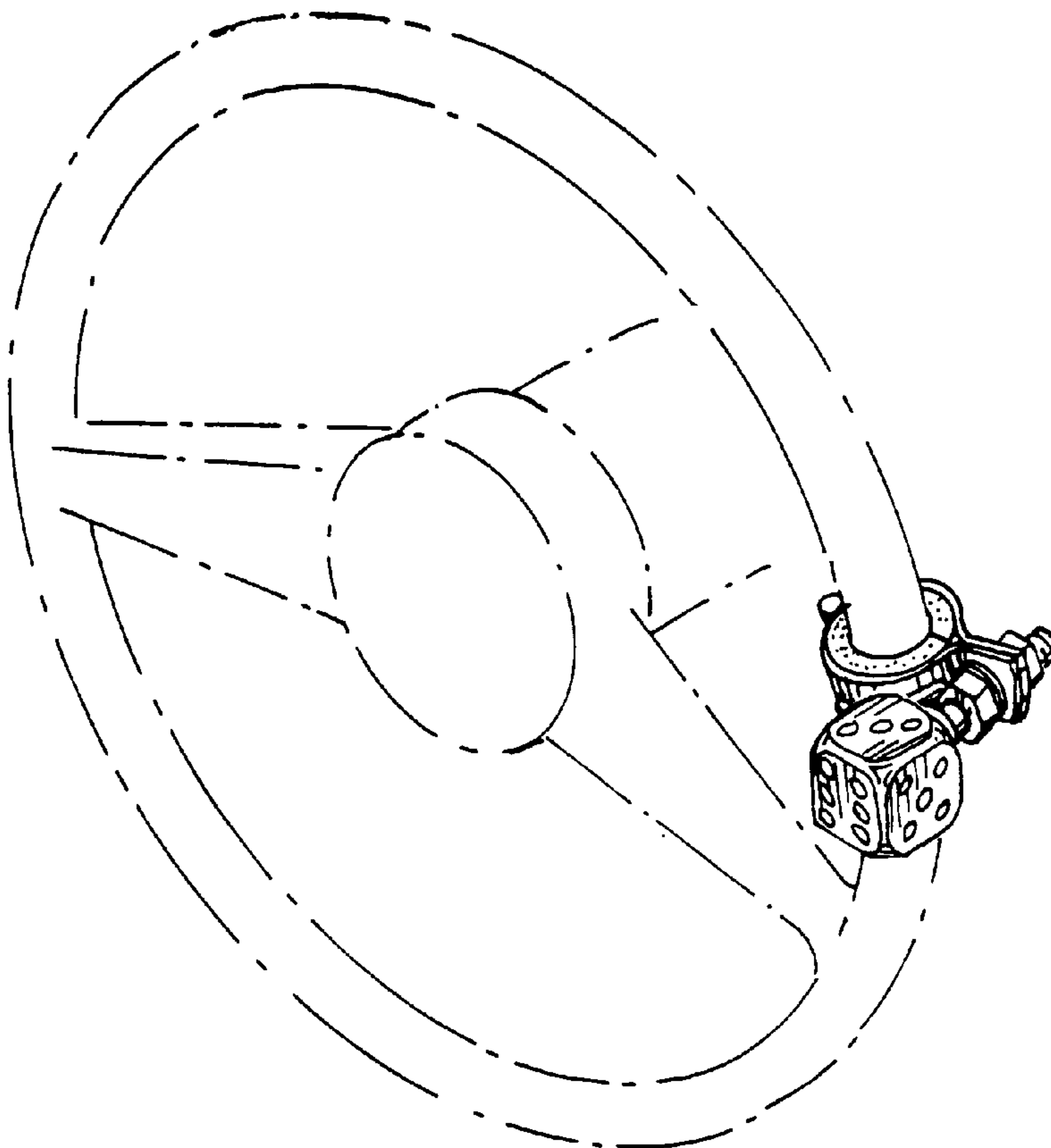
### [57] CLAIM

The ornamental design for a car accessory, as shown and described.

### DESCRIPTION

FIG. 1 is a perspective view of a car accessory, showing our new design;  
FIG. 2 is an enlarged top view thereof;  
FIG. 3 is an enlarged front view thereof;  
FIG. 4 is an enlarged left side view thereof;  
FIG. 5 is an enlarged bottom view thereof;  
FIG. 6 is an enlarged right side view thereof; and,  
FIG. 7 is an enlarged rear view thereof.  
The broken line showing of environment is for illustrative purposes only and forms no part of the claimed design.

**1 Claim, 1 Drawing Sheet**



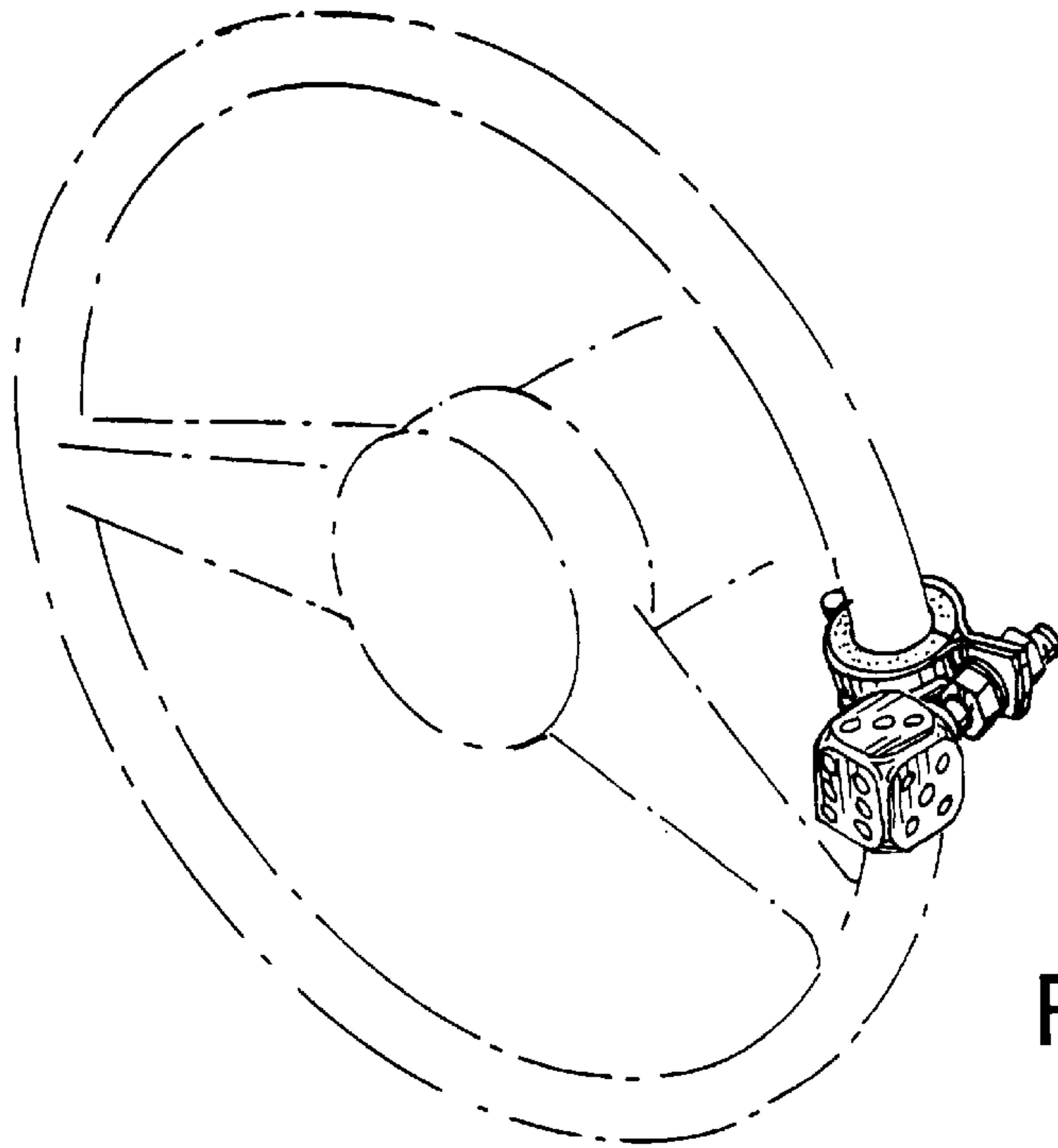


FIG. 1

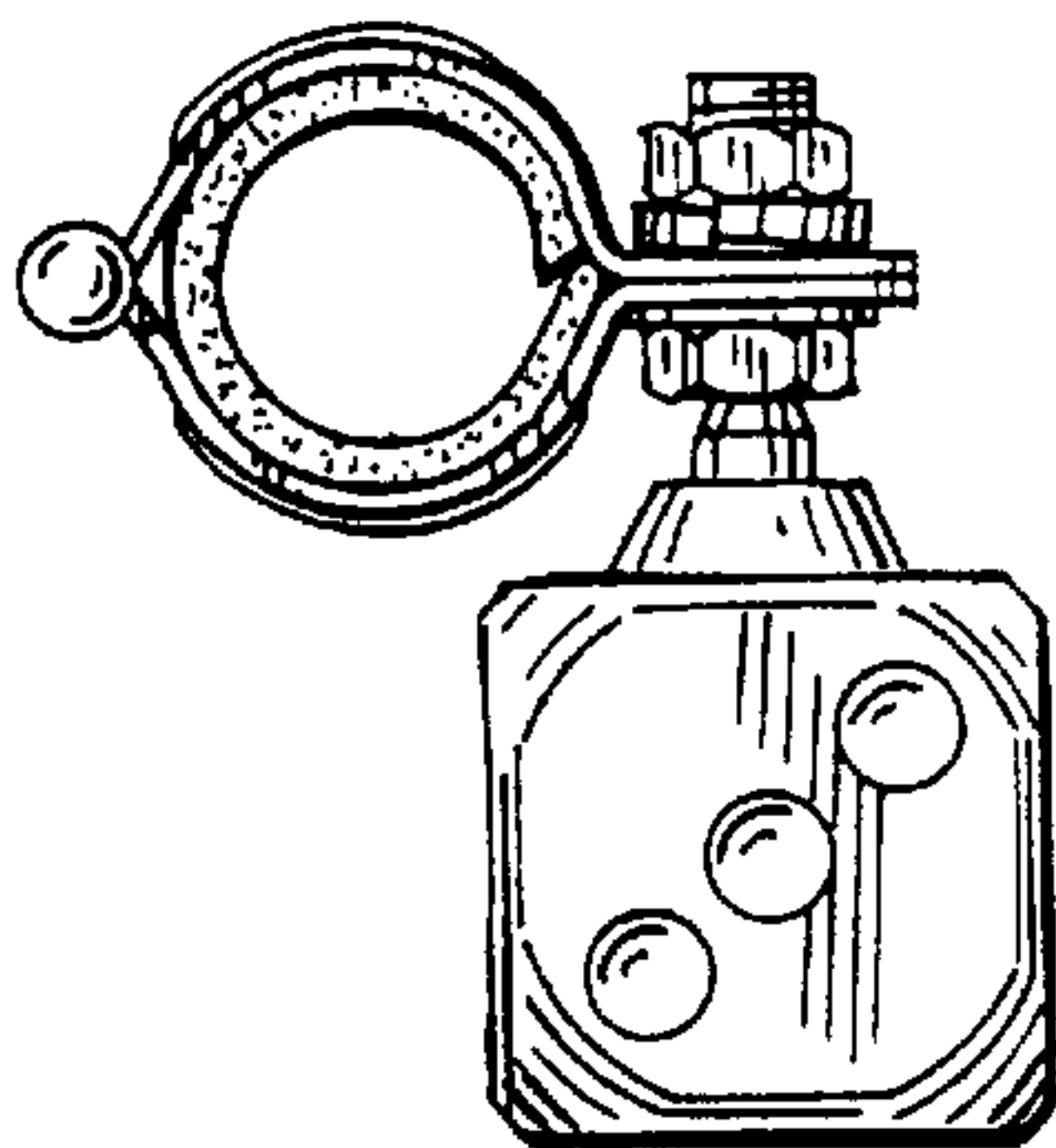


FIG. 2

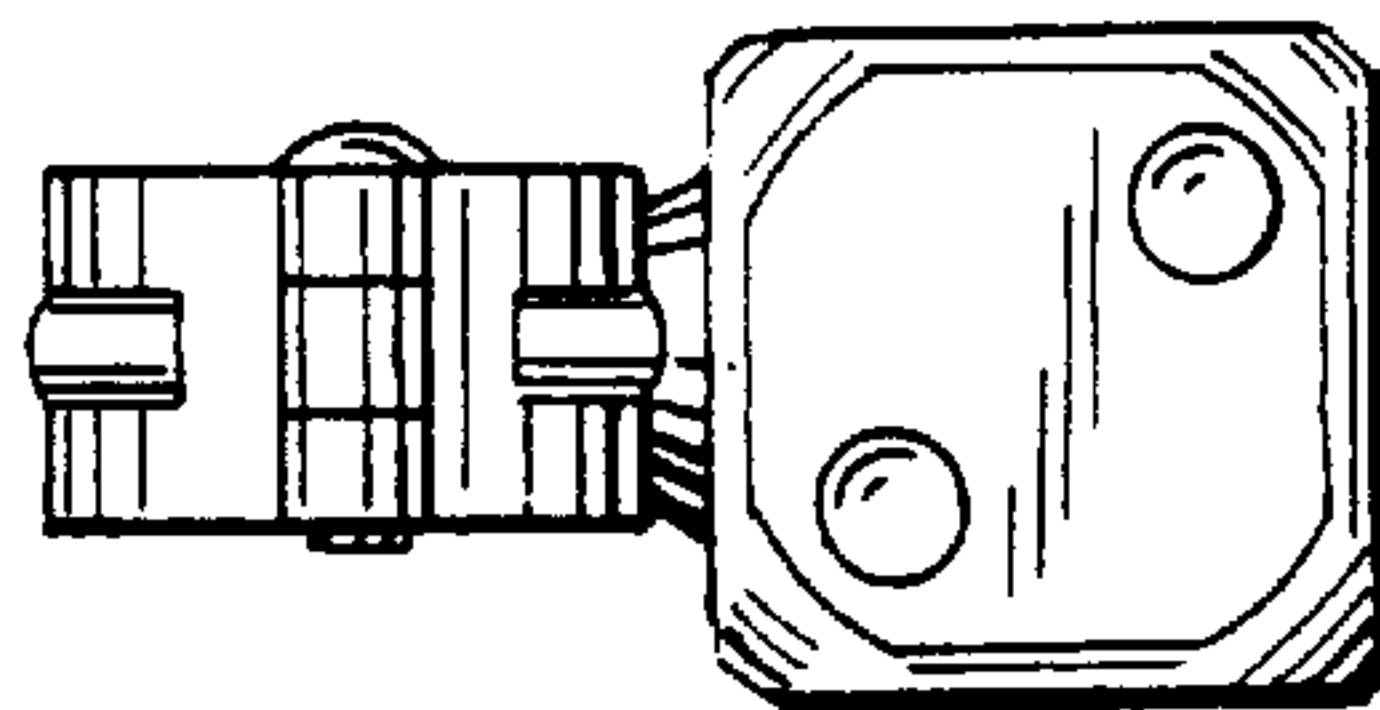


FIG. 4

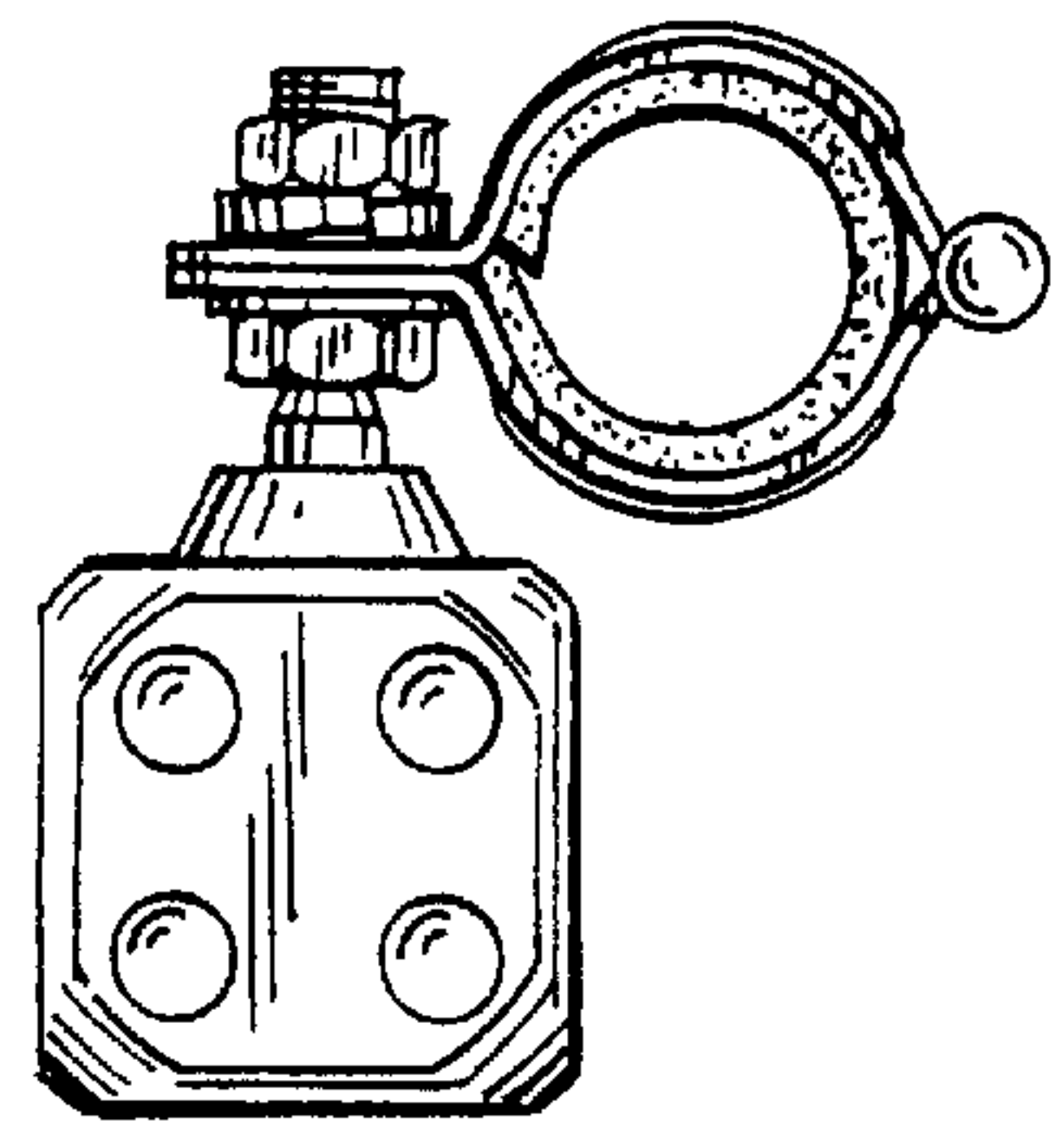


FIG. 5

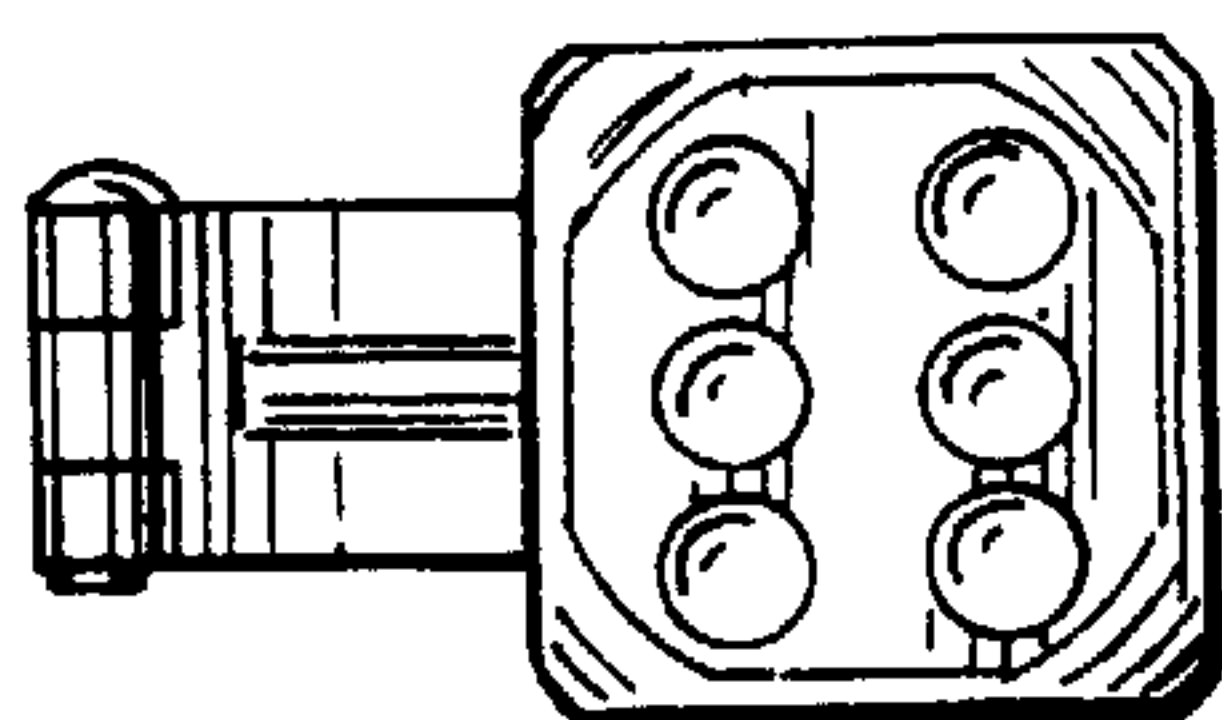


FIG. 3

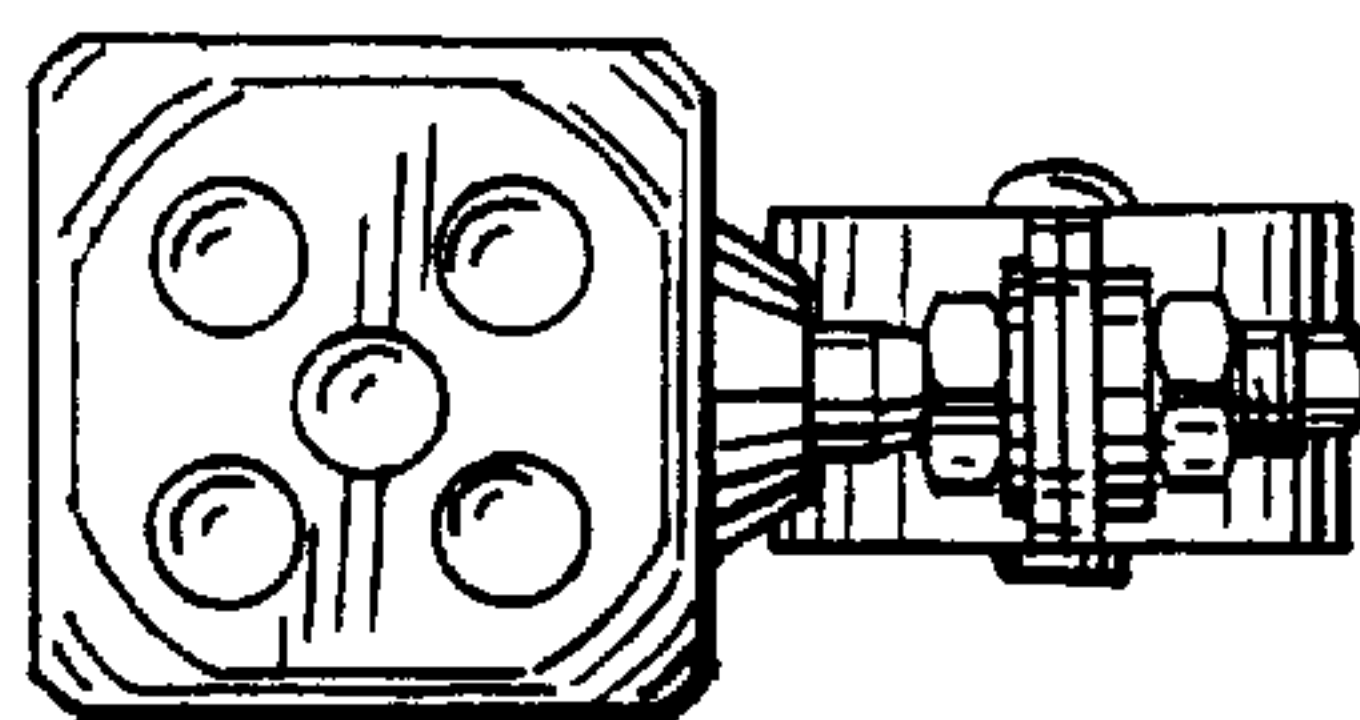


FIG. 6

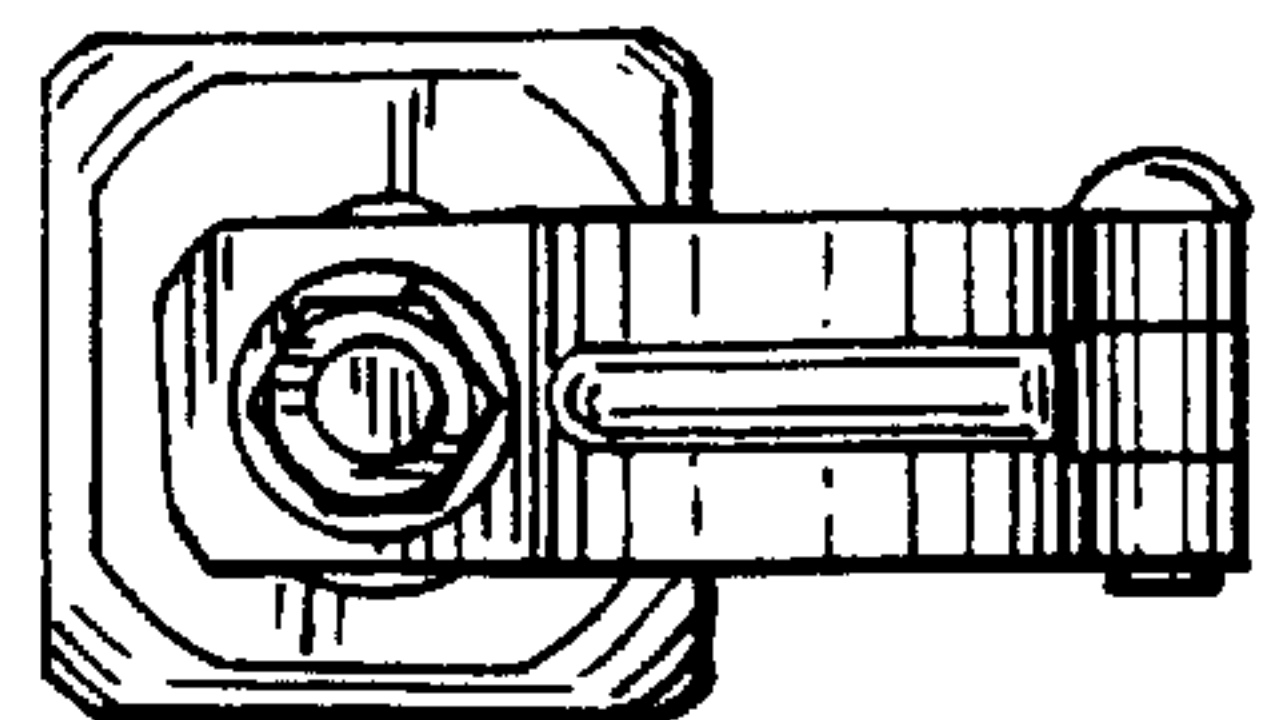


FIG. 7