



US00D434998S

United States Patent [19]

[11] **Patent Number: Des. 434,998**

Bouwman et al.

[45] **Date of Patent: ** Dec. 12, 2000**

[54] **VASE**

[76] **Inventors: Pieter Bouwman; Hilde Botten**, both of P.O. Box 1054, Ipswich, Qld, Australia, 4305

[**] **Term: 14 Years**

[21] **Appl. No.: 29/116,385**

[22] **Filed: Jan. 3, 2000**

[30] **Foreign Application Priority Data**

Aug. 25, 1999 [AU] Australia 2707/99

[51] **LOC (7) Cl. 11-02**

[52] **U.S. Cl. D11/154**

[58] **Field of Search** D11/143, 146, D11/149, 150, 151, 152, 153, 154; D6/403, 405, 556; 47/39, 41.01, 44, 65.5, 41.13, 41.14, 41.15; 206/423; 248/27.8; 215/228; 220/521, 801; D9/336, 516, 517, 521, 522, 537, 545; D7/704, 403

[56] **References Cited**

U.S. PATENT DOCUMENTS

D. 63,796 1/1924 Mulholland D9/521
D. 87,674 8/1932 Mullen D9/336

D. 94,337 1/1935 Cantor D11/154
D. 95,019 4/1935 Cooperstein 47/41.01
D. 95,020 4/1935 Cooperstein D11/154
D. 104,250 4/1937 Gartland D11/153
D. 152,831 2/1949 Saba D11/153
D. 175,435 8/1955 Moffat D11/153
D. 187,561 3/1960 Bottle D9/545
D. 253,095 10/1979 Beatty D11/148
D. 271,935 12/1983 Conner D7/403
D. 335,626 5/1993 Liao D9/545
D. 337,264 7/1993 Paglina D9/336
D. 390,105 2/1998 Lalique D9/336
D. 412,276 7/1999 Arslanian D9/336
540,681 6/1895 Myers 47/41.01

Primary Examiner—Doris V. Coles

Assistant Examiner—Mimosa De

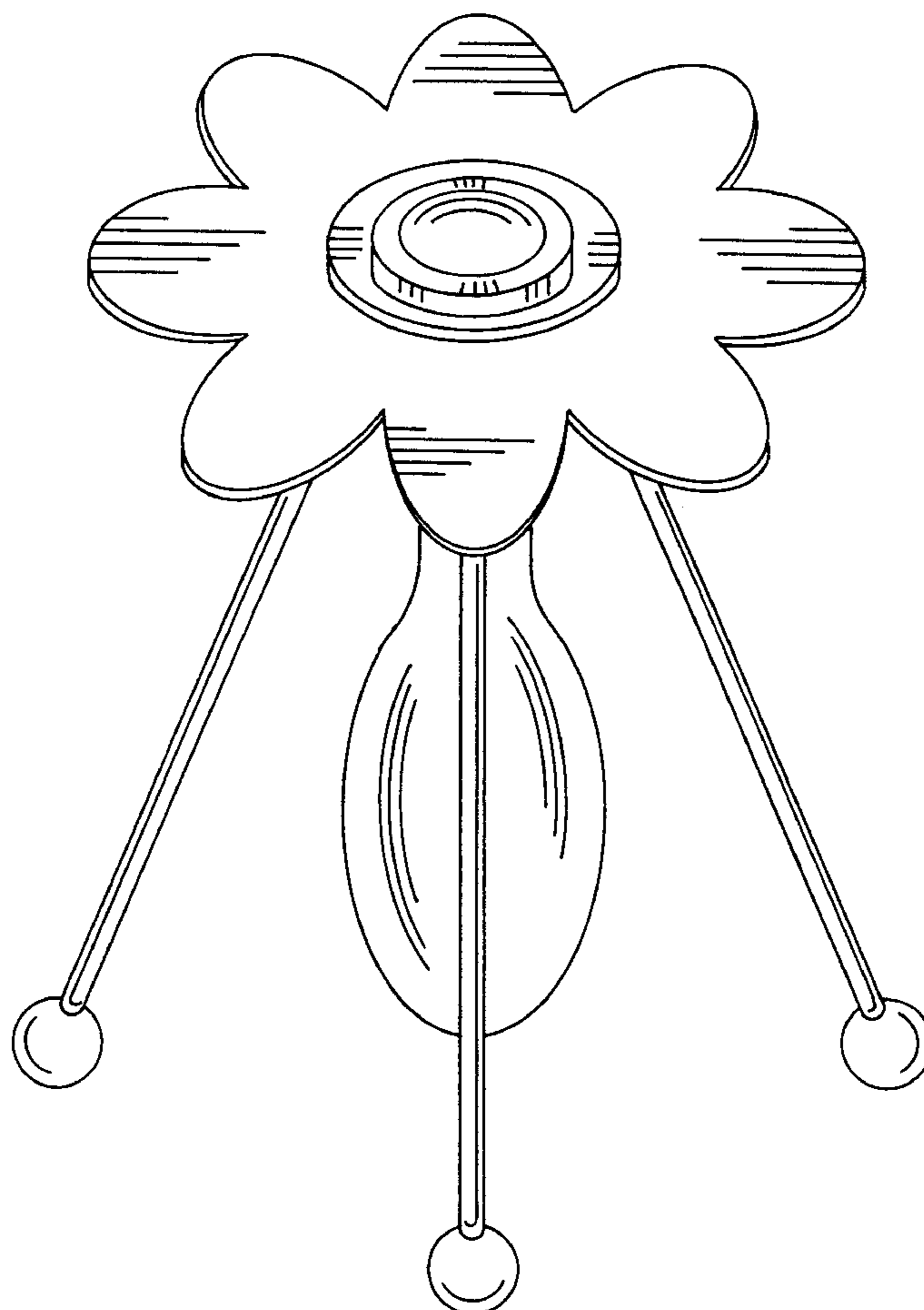
[57] **CLAIM**

The ornamental design for a vase, as shown and described.

DESCRIPTION

FIG. 1 is a perspective view of the vase.
FIG. 2 is a top plan view thereof.
FIG. 3 is a front elevation view thereof.
FIG. 4 is a rear elevation view thereof; and,
FIG. 5 is a right side elevational view thereof, the left side being a mirror image.

1 Claim, 5 Drawing Sheets



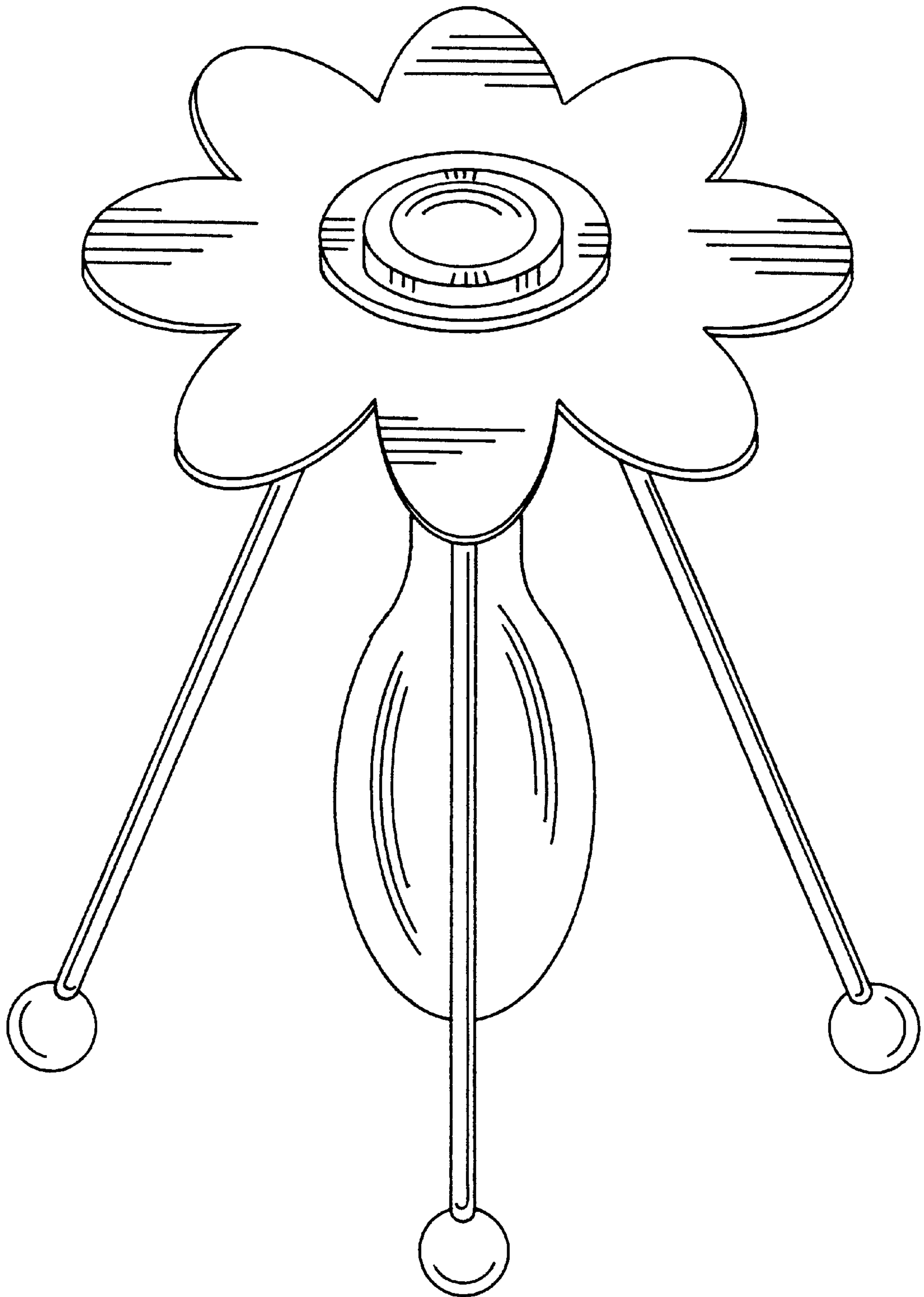


FIG 1

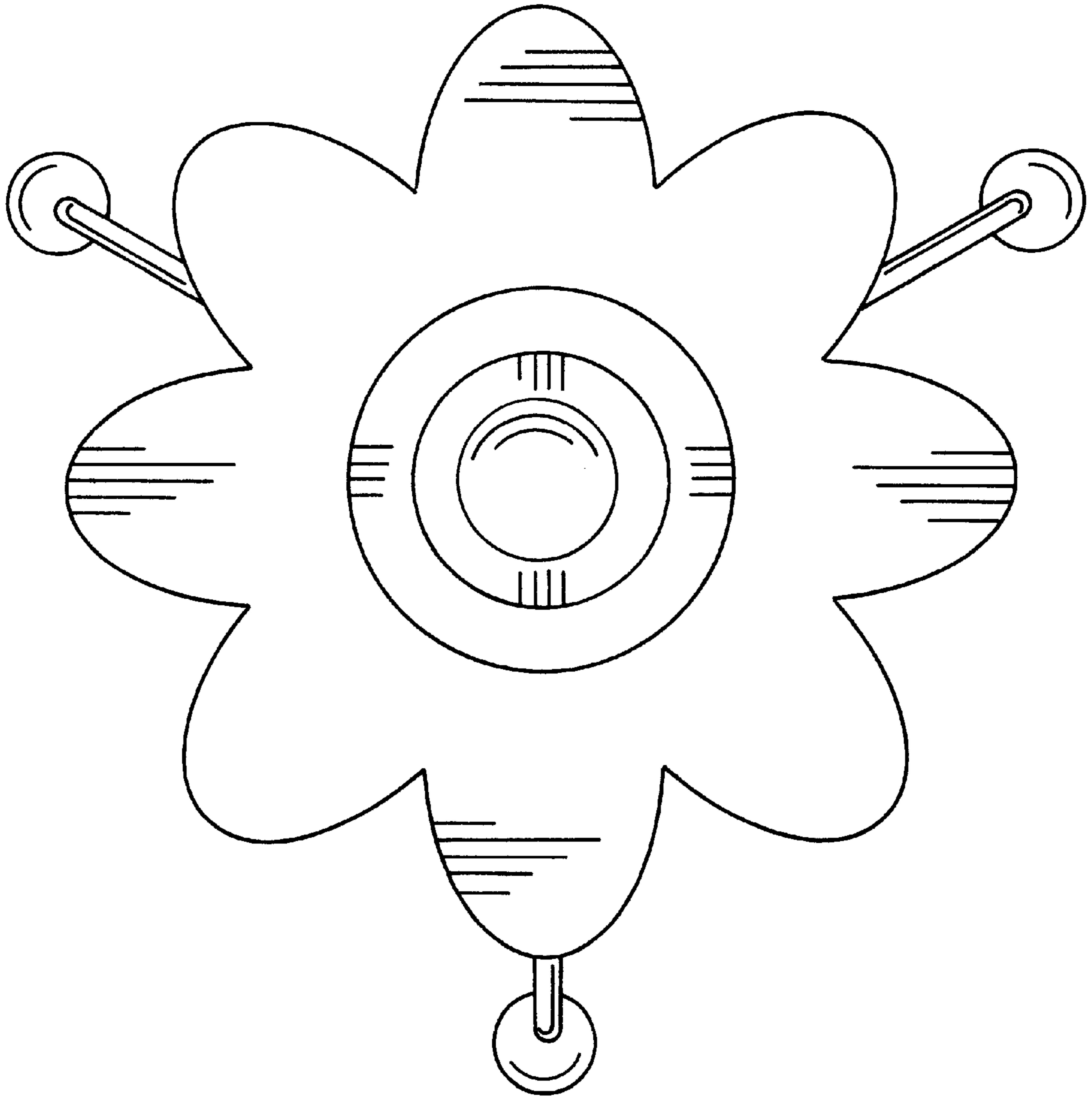


FIG 2

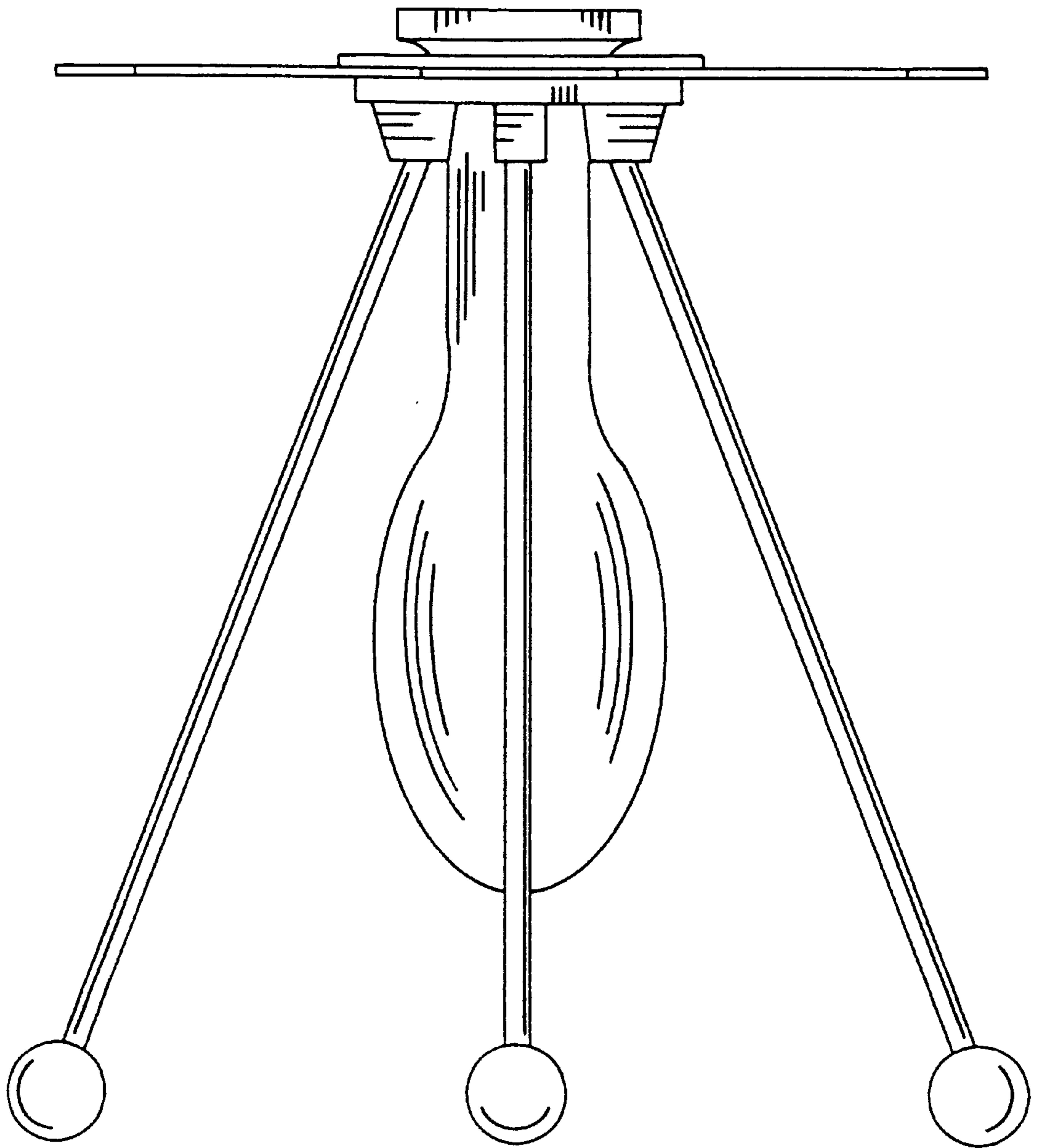


FIG 3

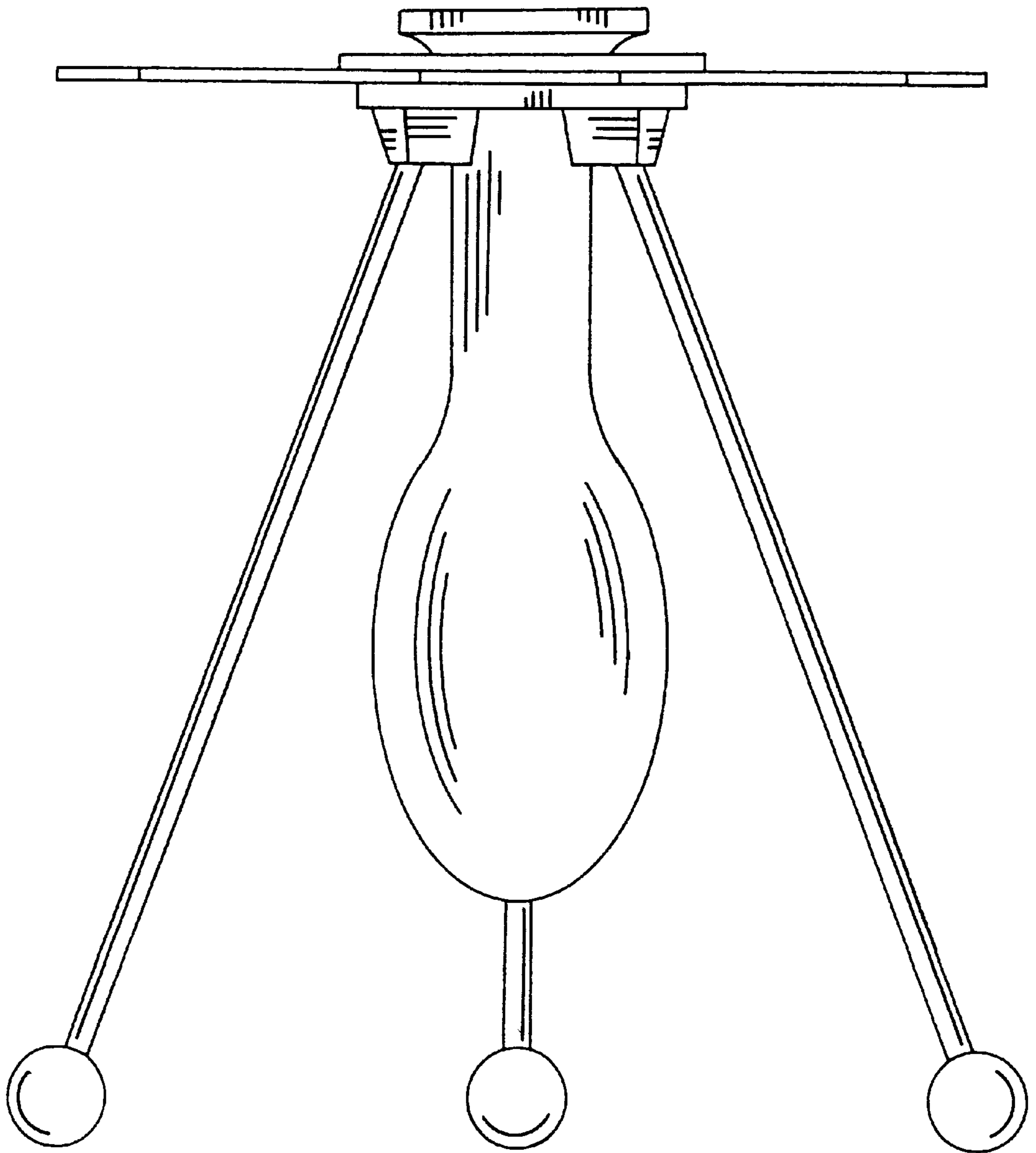


FIG 4

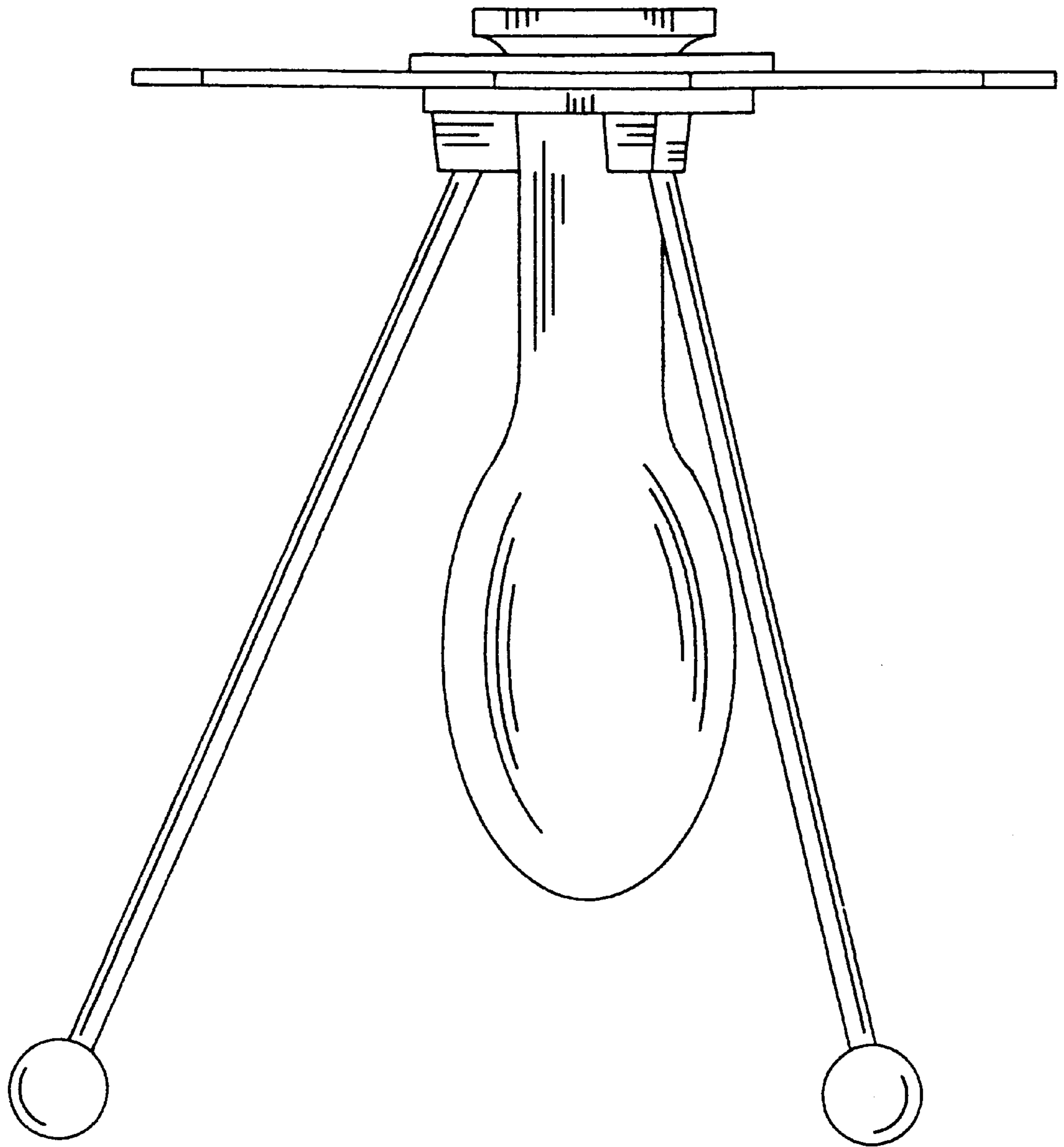


FIG 5