



US00D434992S

United States Patent [19]

Hiller et al.

[11] Patent Number: **Des. 434,992**

[45] Date of Patent: **** Dec. 12, 2000**

[54] **MOTION SENSOR HEAD**

[75] Inventors: **Raymond J. Hiller**, Chapel Hill;
Michael Drake, Stoney Creek, both of
N.C.

[73] Assignee: **Regent Lighting Corporation**,
Burlington, N.C.

[**] Term: **14 Years**

[21] Appl. No.: **29/111,562**

[22] Filed: **Sep. 30, 1999**

[51] **LOC (7) Cl.** **10-05**

[52] **U.S. Cl.** **D10/106**

[58] **Field of Search** D10/104, 106,
D10/116, 121; 340/521, 540, 555, 556,
557, 565, 571, 600, 628, 629

[56] **References Cited**

U.S. PATENT DOCUMENTS

D. 359,922 7/1995 Sandell D10/106

D. 359,923 7/1995 Sandell et al. D10/106
D. 360,157 7/1995 Sandell et al. D10/106
D. 392,406 3/1998 Morrow et al. D10/106

Primary Examiner—Marcus A. Jackson
Attorney, Agent, or Firm—Niro, Scavone, Haller & Niro

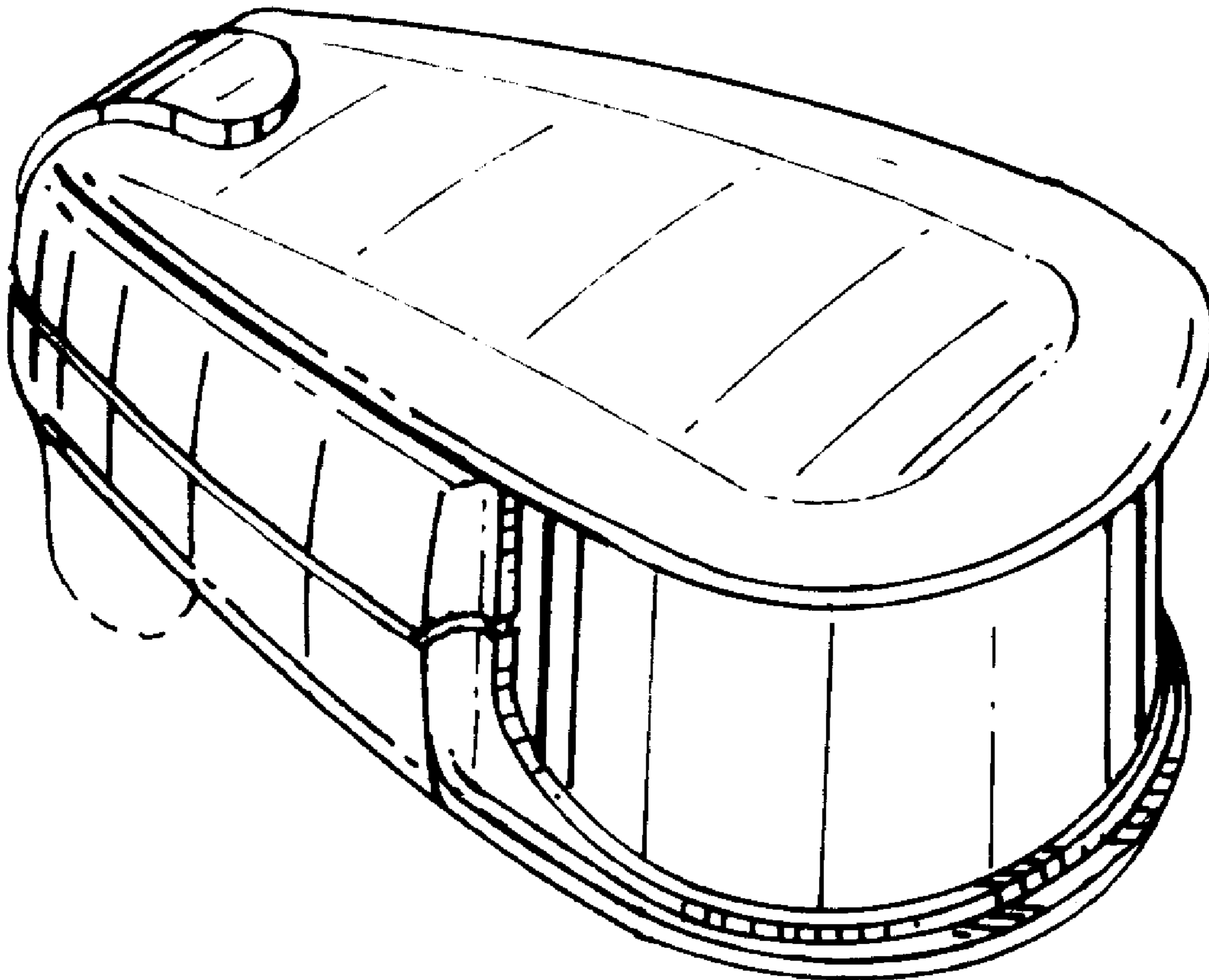
[57] **CLAIM**

We claim the ornamental design of a motion sensor head, as shown and described.

DESCRIPTION

FIG. 1 is a perspective view taken from the left side of the new design, with the broken lines showing for illustrative purposes only and forming no part of the claimed design; FIG. 2 is a top plan view thereof; FIG. 3 is a front view thereof; FIG. 4 is a rear view thereof; FIG. 5 is a side view thereof, with the opposite side being a mirror image; and, FIG. 6 is a bottom plan view thereof.

1 Claim, 1 Drawing Sheet



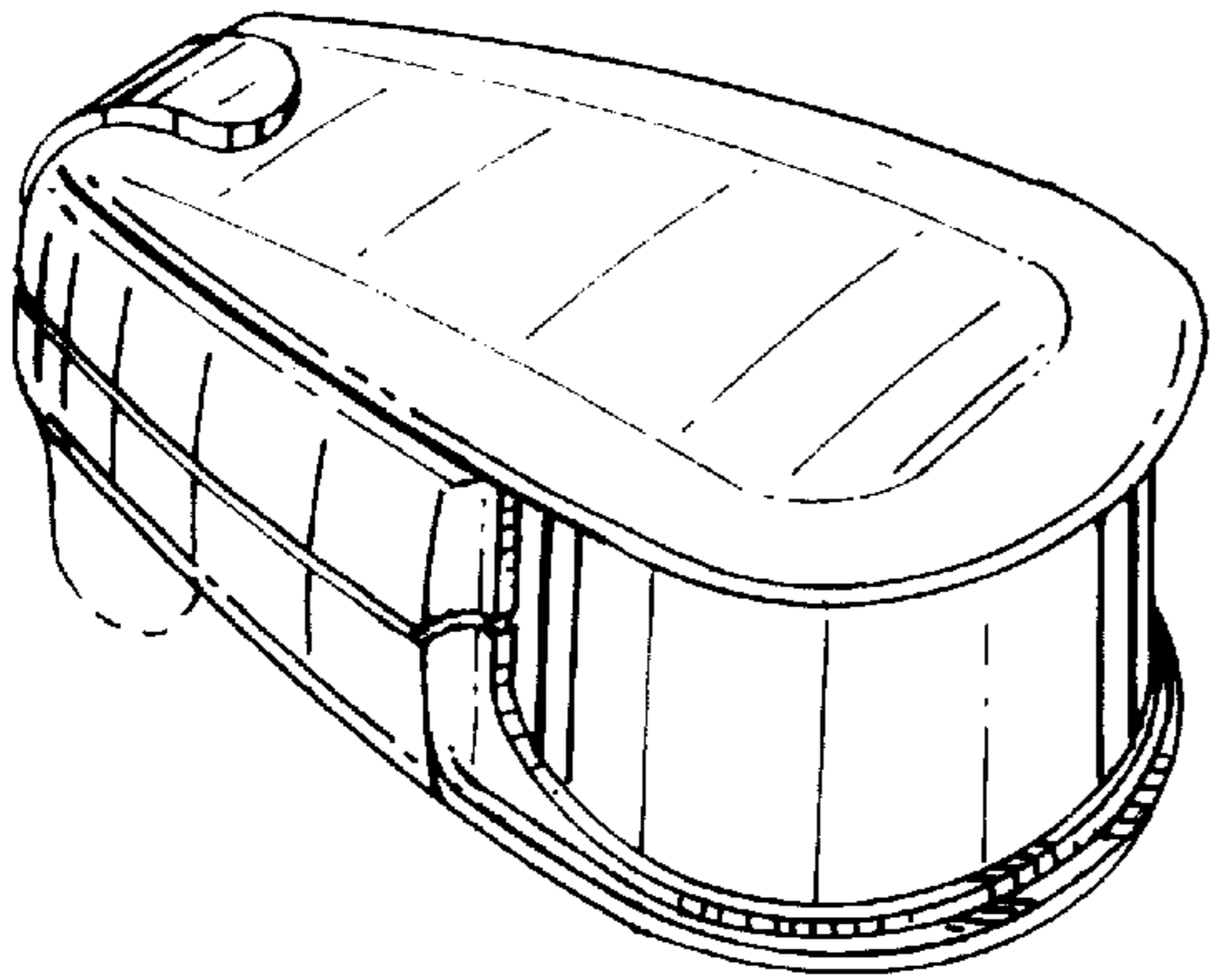


FIG. 1

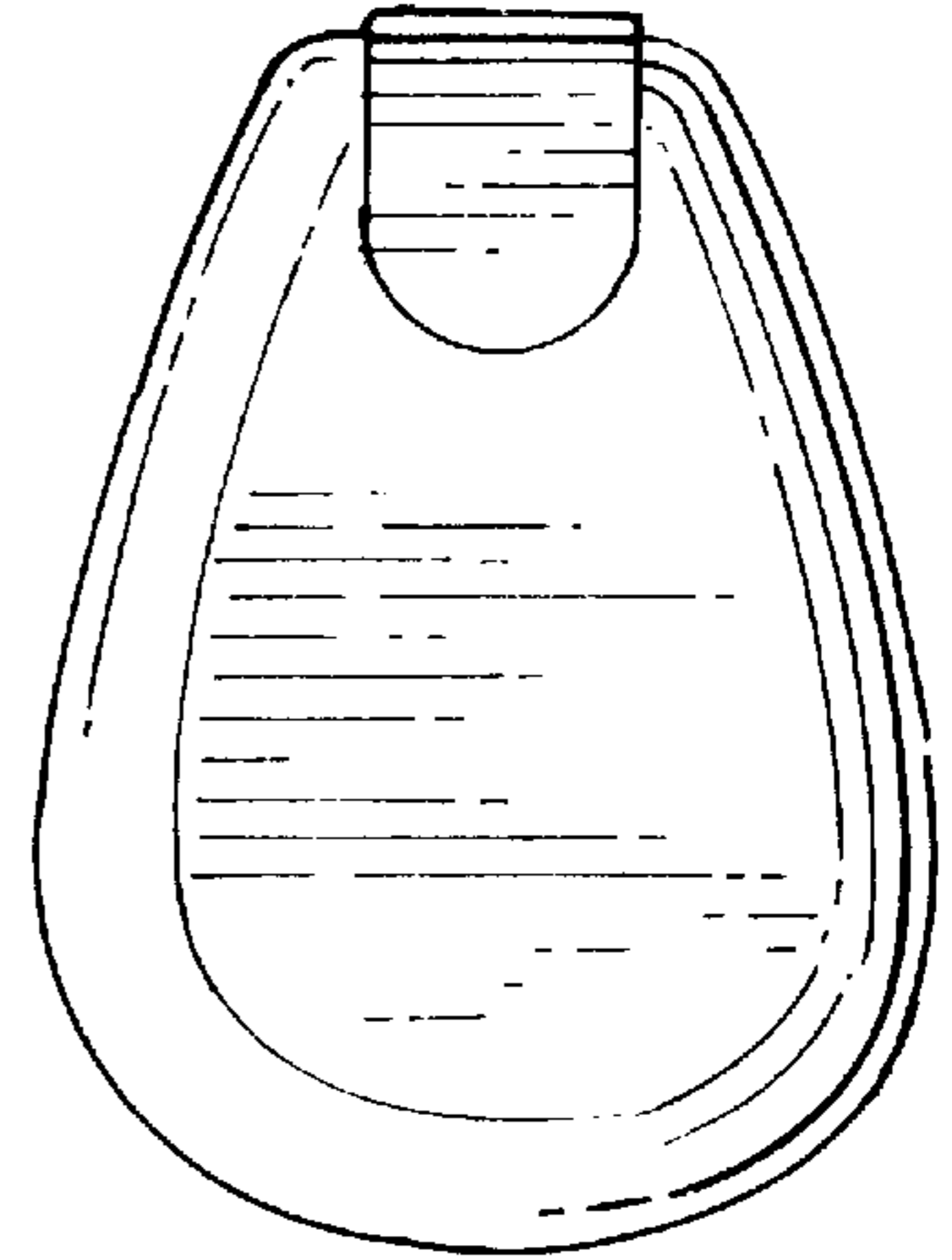


FIG. 2

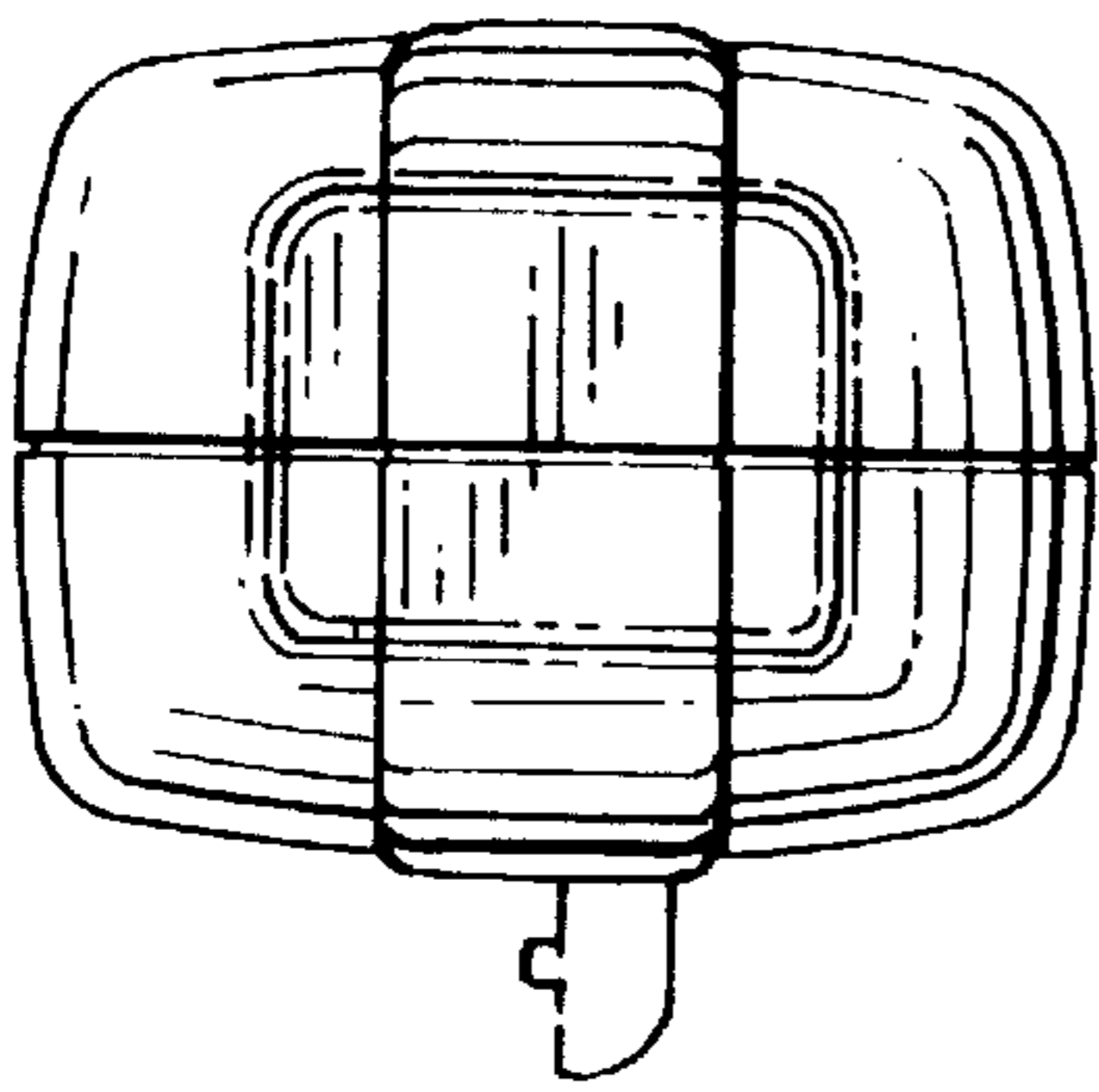


FIG. 4

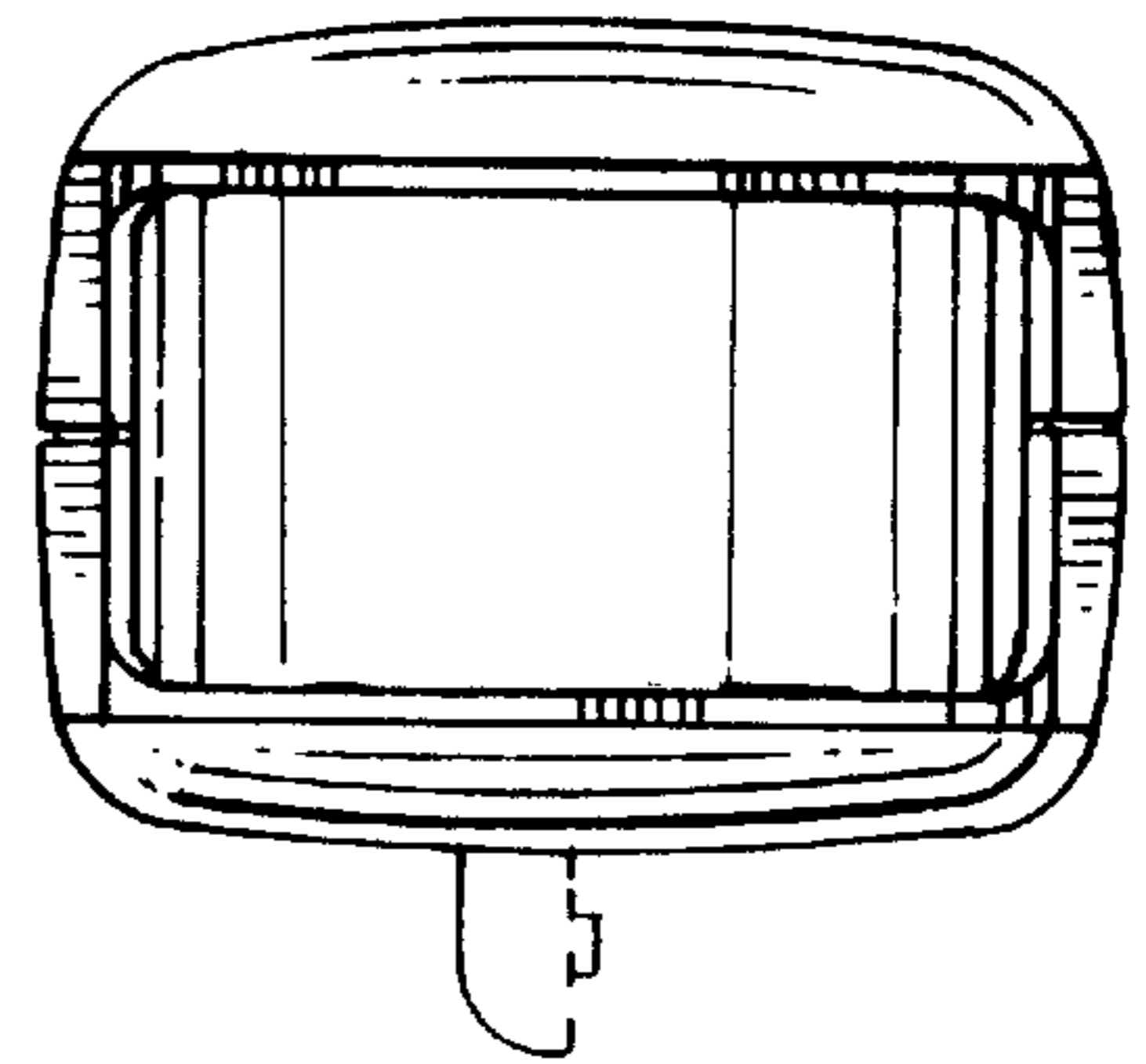


FIG. 3

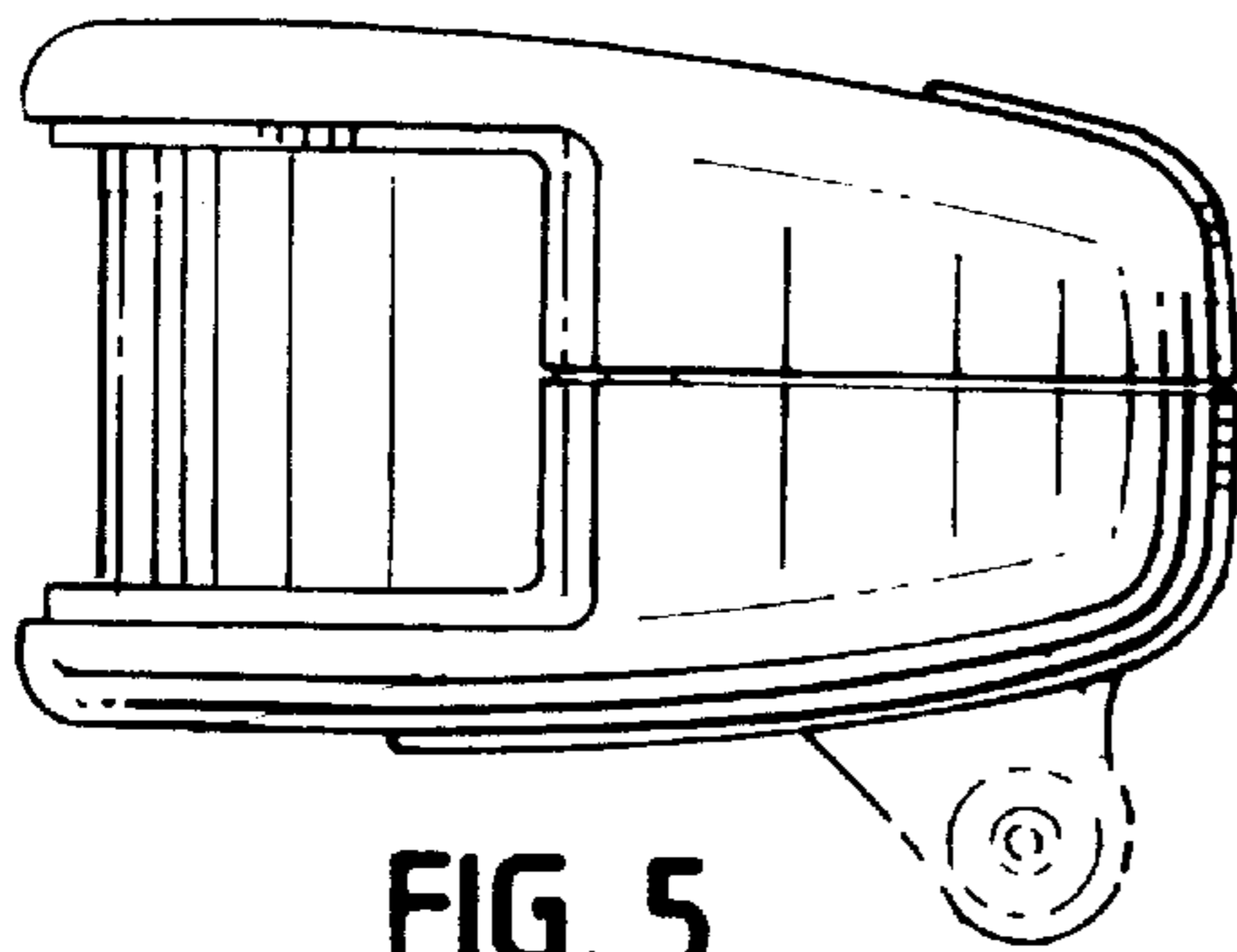


FIG. 5

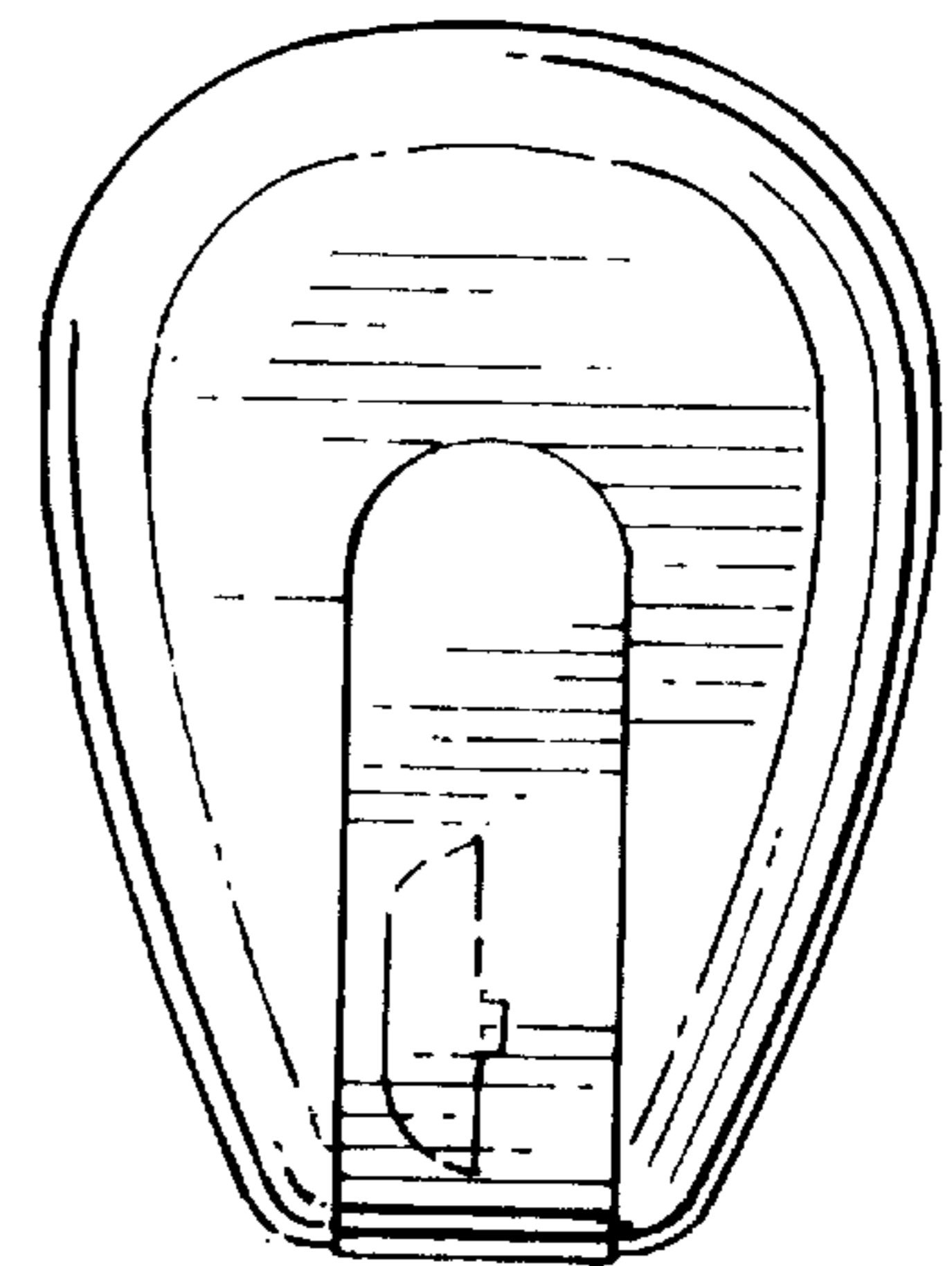


FIG. 6