



US00D434989S

United States Patent [19]

Evans et al.

[11] **Patent Number: Des. 434,989**

[45] **Date of Patent: ** Dec. 12, 2000**

[54] **UV LEAK DETECTOR**

[75] Inventors: **Mike S. Evans; Scott King**, both of Pioneer, Ohio; **Howard S. Ryan**, Skaneateles, N.Y.

[73] Assignee: **SPX Corporation**, Muskegon, Mich.

[**] Term: **14 Years**

[21] Appl. No.: **29/113,136**

[22] Filed: **Oct. 29, 1999**

[51] **LOC (7) Cl.** **10-04**

[52] **U.S. Cl.** **D10/78**

[58] **Field of Search** D10/78; 250/336.1, 250/393, 491.1, 522.1; 324/72.5

[56] **References Cited**

U.S. PATENT DOCUMENTS

D. 343,801 2/1994 Burns et al. D10/78
5,936,246 8/1999 Skinner 250/336.1

Primary Examiner—Antoine Duval Davis
Attorney, Agent, or Firm—Hovey, Williams, Timmons & Collins

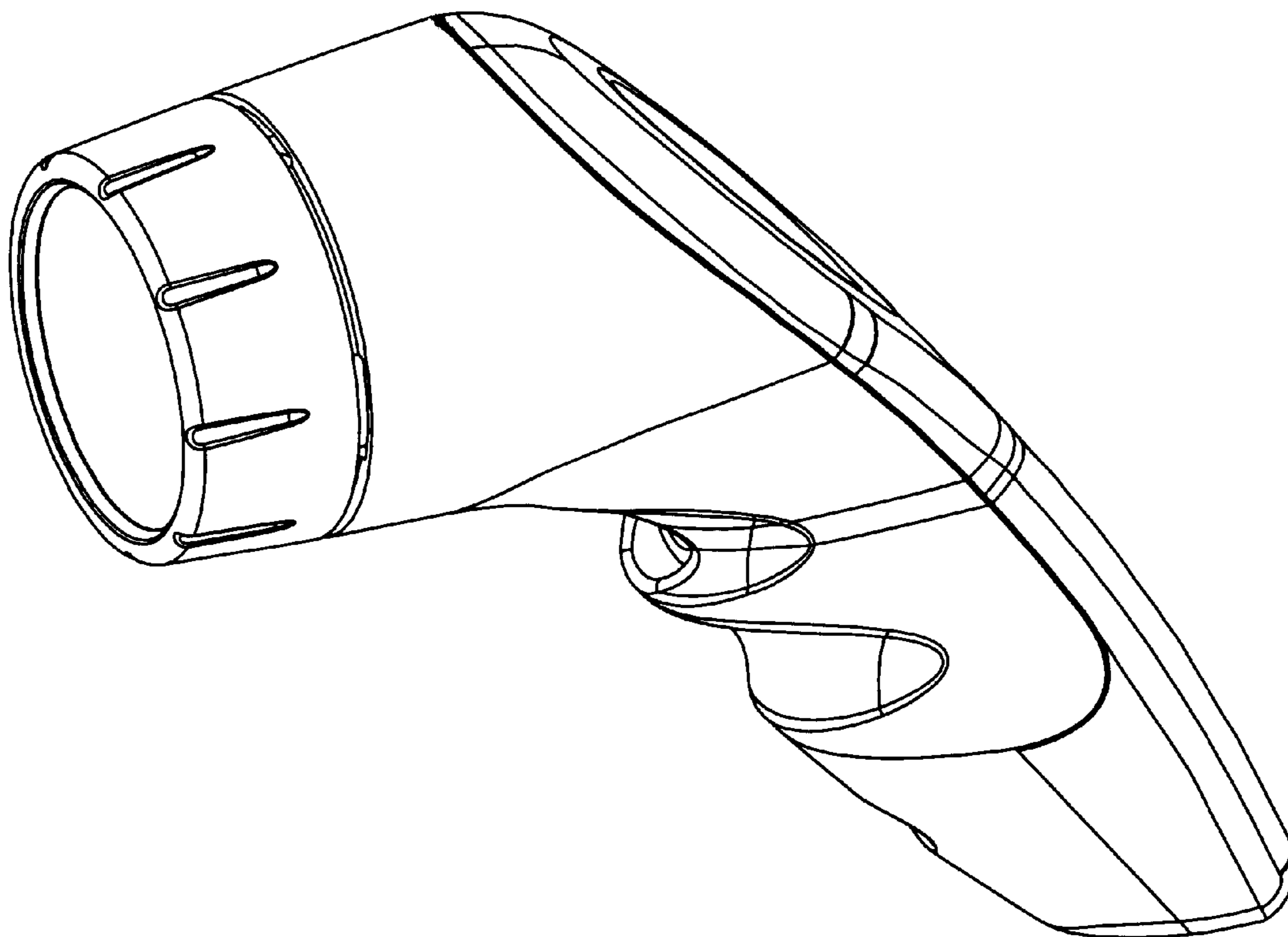
[57] **CLAIM**

The ornamental design for a UV leak detector, as shown and described.

DESCRIPTION

FIG. 1 is a front perspective view of the UV leak detector; FIG. 2 is a rear perspective view of the UV leak detector of FIG. 1; FIG. 3 is a rear elevational view of the UV leak detector of FIG. 1; FIG. 4 is a top plan view of the UV leak detector of FIG. 1; FIG. 5 is a bottom plan view of the UV leak detector of FIG. 1; FIG. 6 is a front elevational view of the UV leak detector of FIG. 1; and, FIG. 7 is a side elevational view of the UV leak detector of FIG. 1.

1 Claim, 3 Drawing Sheets



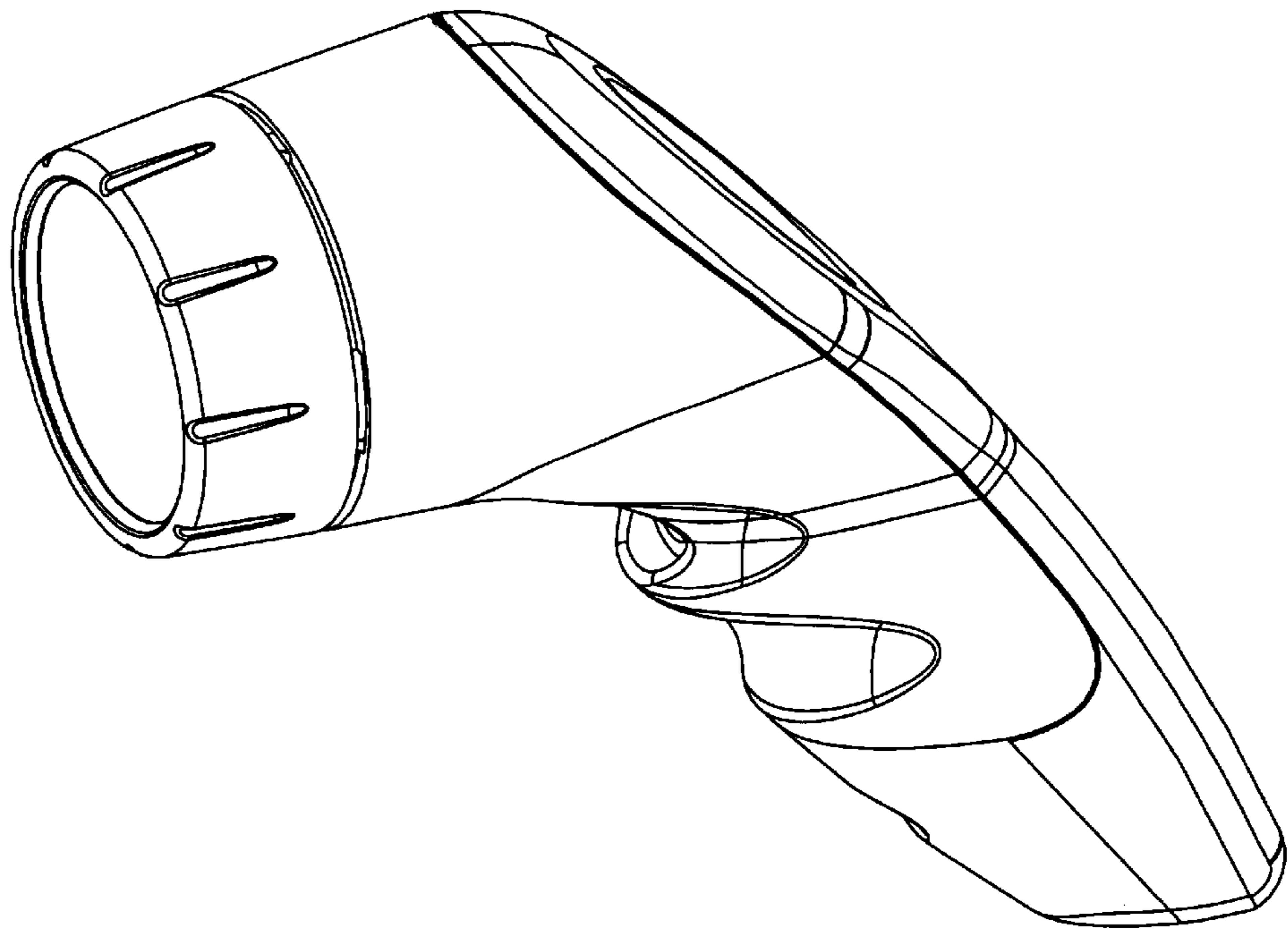


Fig. 1.

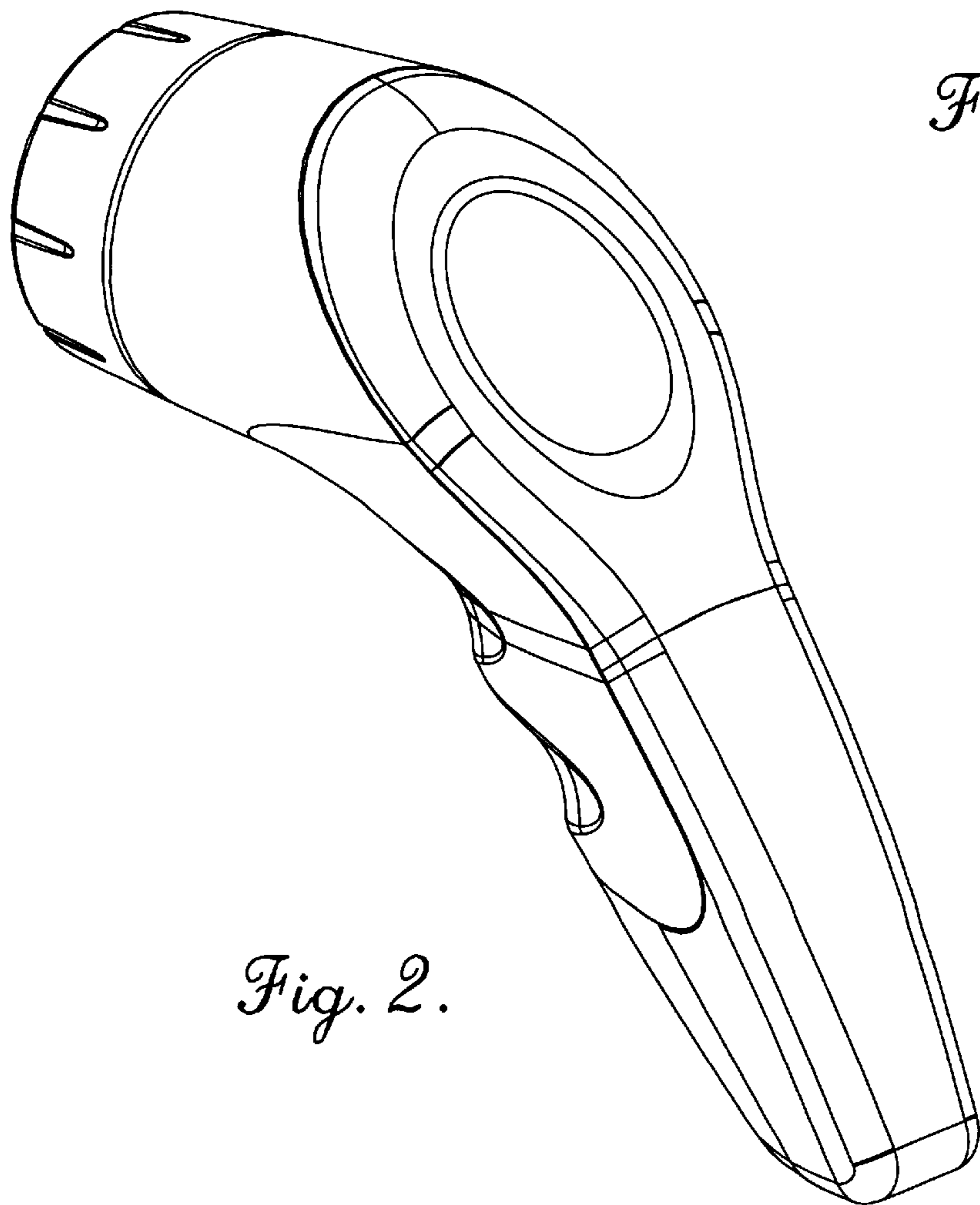


Fig. 2.

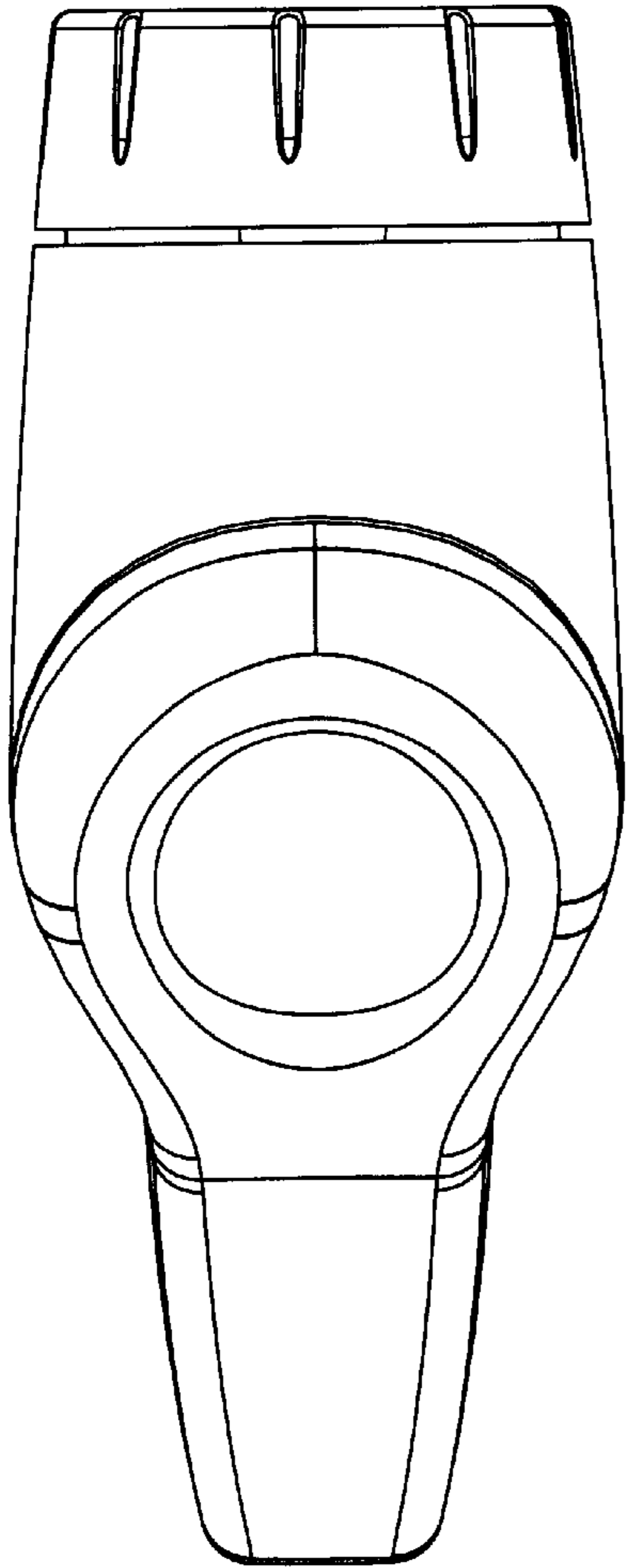


Fig. 4.

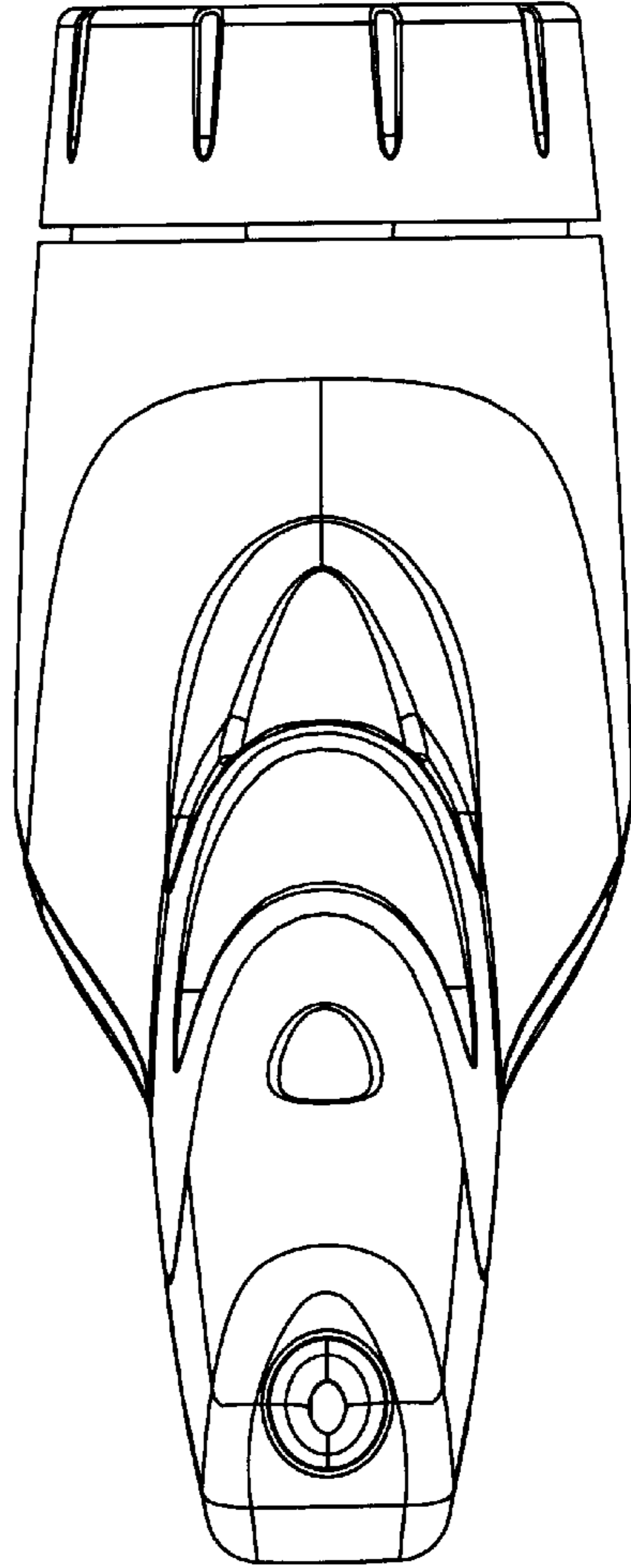


Fig. 5.

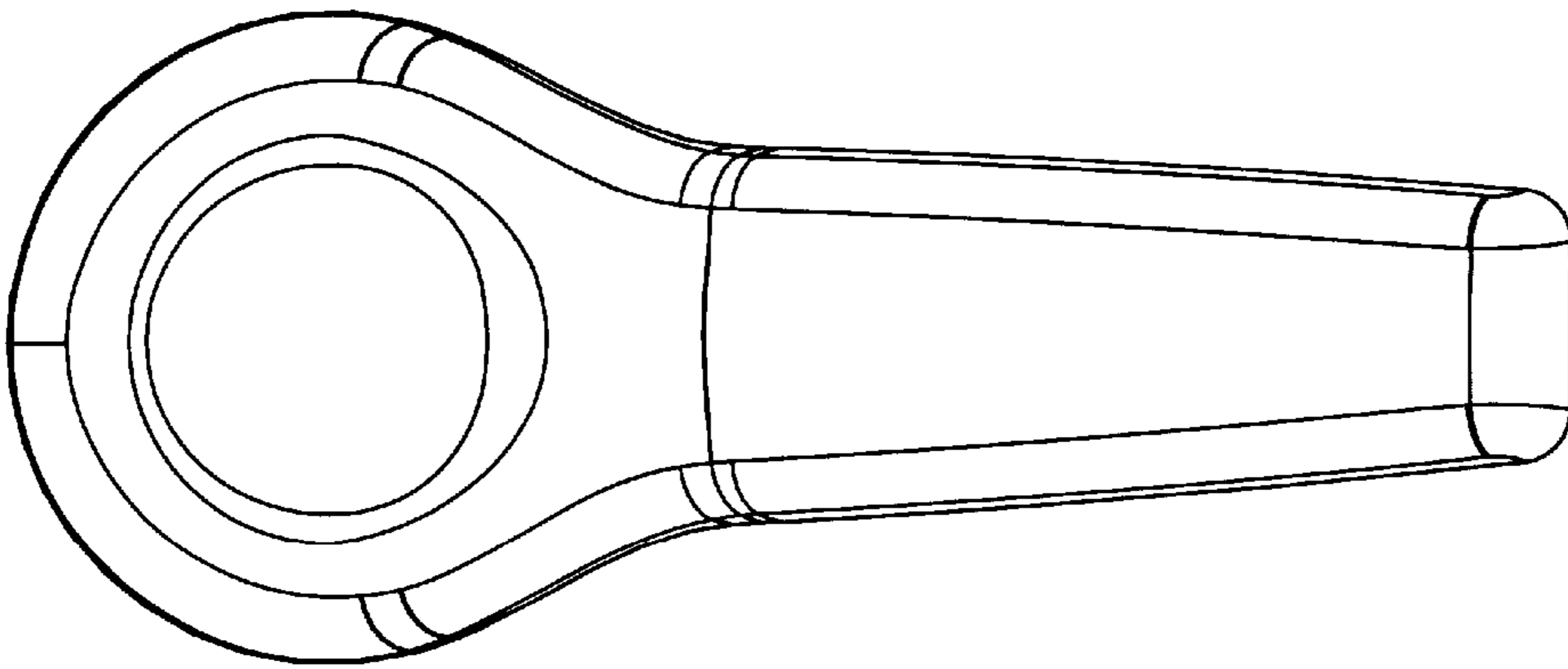


Fig. 3.

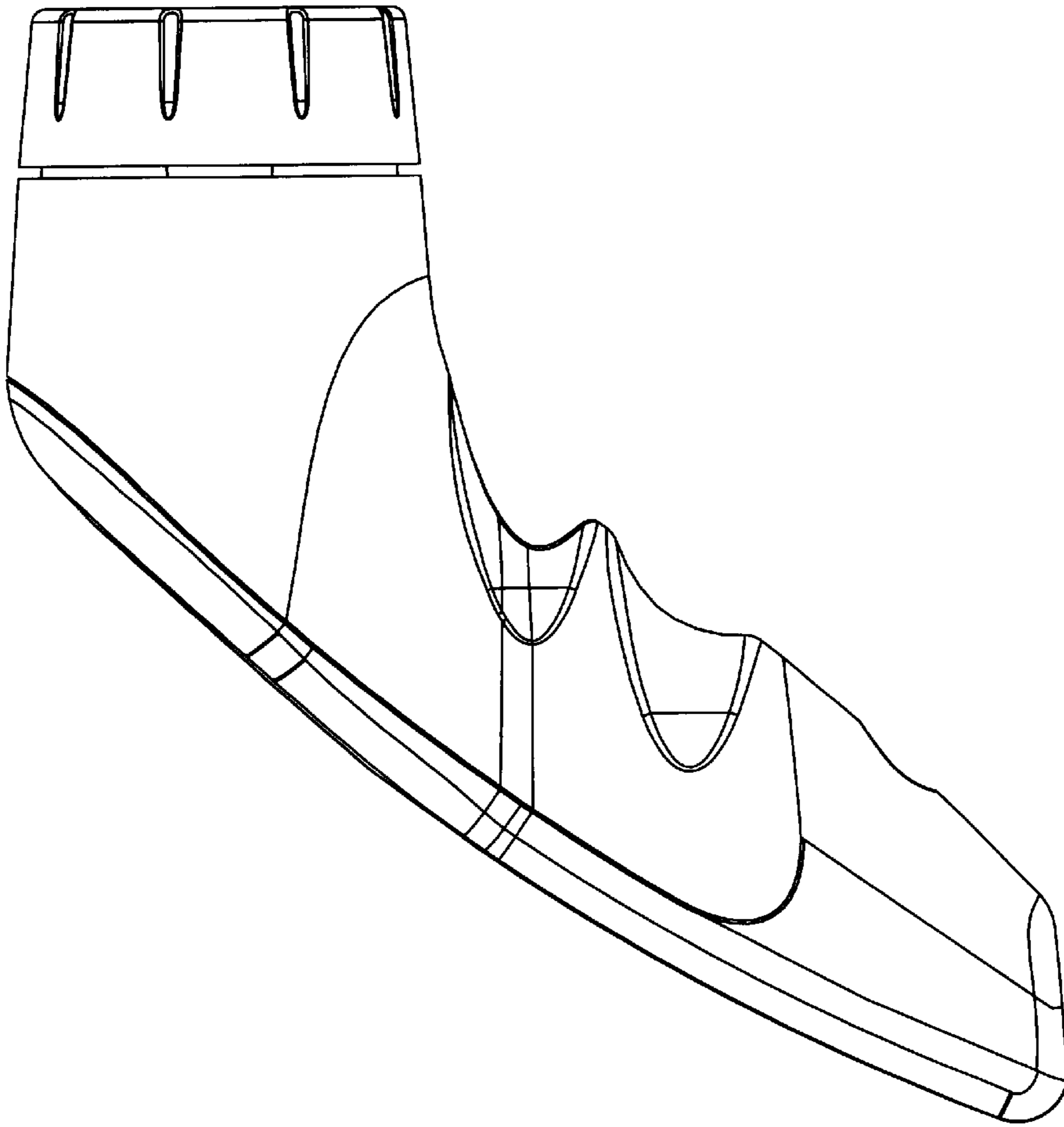


Fig. 7.

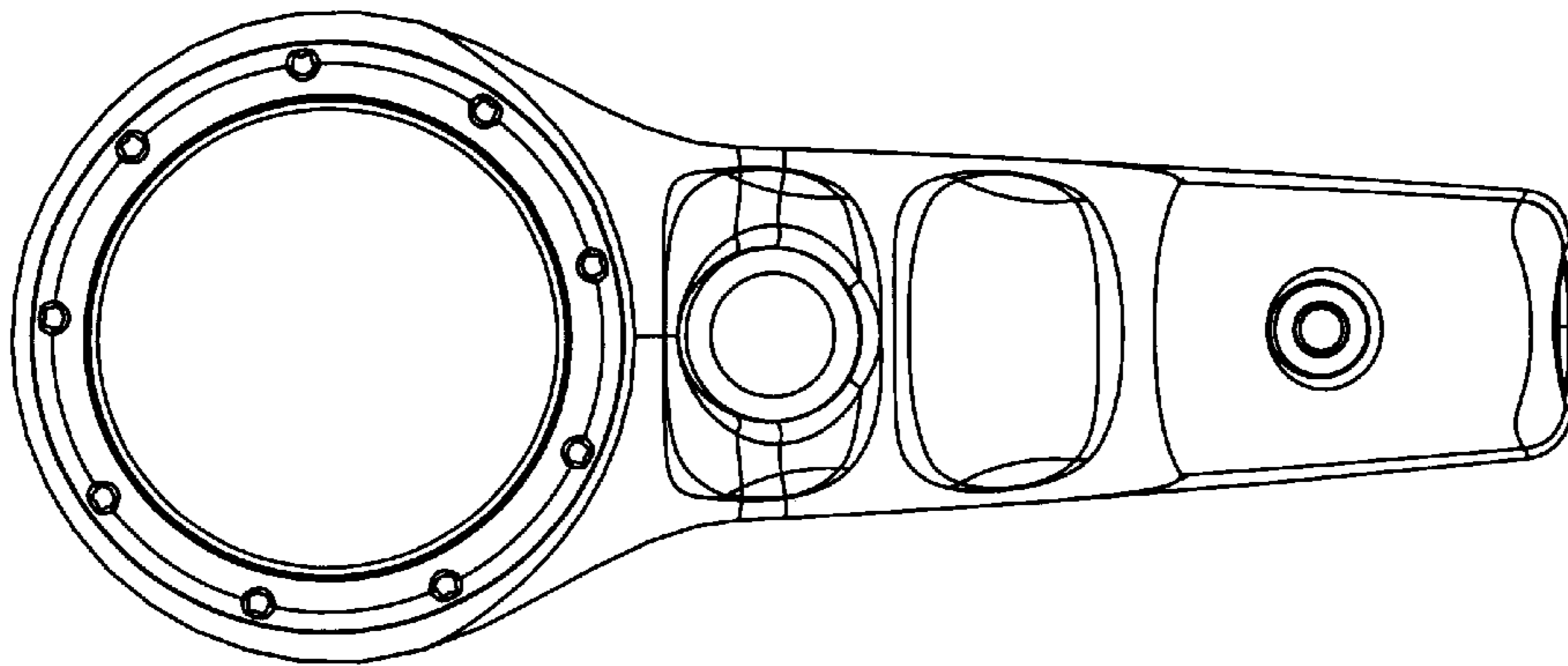


Fig. 6.