



US00D434987S

# United States Patent [19]

Versace

[11] **Patent Number: Des. 434,987**

[45] **Date of Patent: \*\* Dec. 12, 2000**

[54] **WATCH CASE**

D. 383,986 9/1997 Hysek ..... D10/32  
D. 415,432 10/1999 Cattin ..... D10/30

[75] Inventor: **Donatella Versace**, Milan, Italy

[73] Assignee: **Gianni Versace SpA**, Milan, Italy

[\*\*] Term: **14 Years**

*Primary Examiner*—Nelson C. Holtje  
*Attorney, Agent, or Firm*—John L. Chiatas; Marguerite Del Valle

[21] Appl. No.: **29/112,832**

[22] Filed: **Oct. 25, 1999**

### [57] CLAIM

I claim the ornamental design for the watch case, as shown and described.

### [30] Foreign Application Priority Data

Apr. 27, 1999 [XH] Hague Agreement ..... DMA/004 512

### DESCRIPTION

[51] **LOC (7) Cl.** ..... **10-02**

[52] **U.S. Cl.** ..... **D10/30**

[58] **Field of Search** ..... D10/1-40, 122-132;  
368/280-282, 276-277, 285

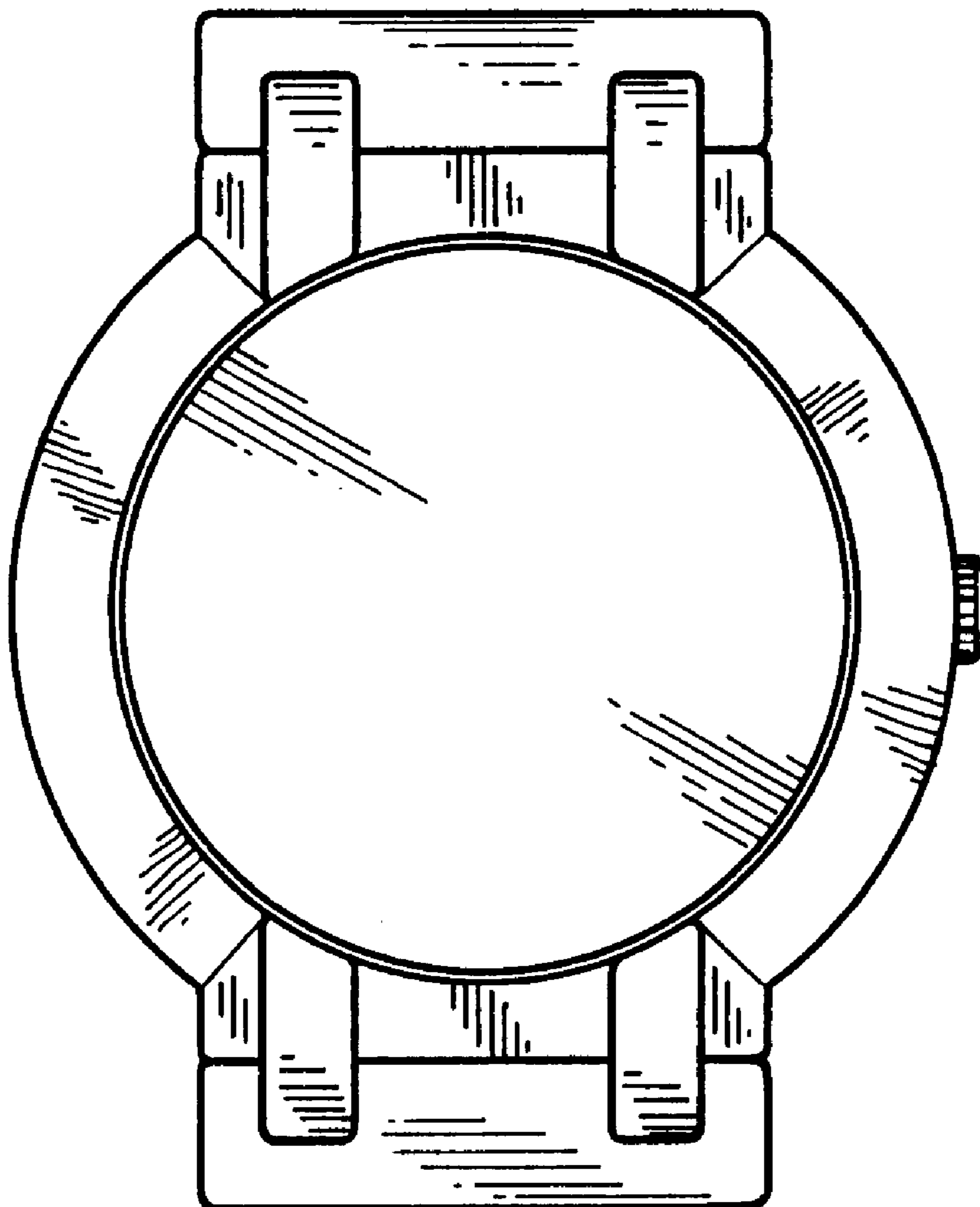
FIG. 1 is a front perspective view of the new ornamental watch case of the present invention.  
FIG. 2 is a front plan view thereof.  
FIG. 3 is a rear plan view thereof.  
FIG. 4 is a right side view thereof.  
FIG. 5 is a left side view thereof.  
FIG. 6 is a top plan view thereof; and,  
FIG. 7 is a bottom plan view thereof.

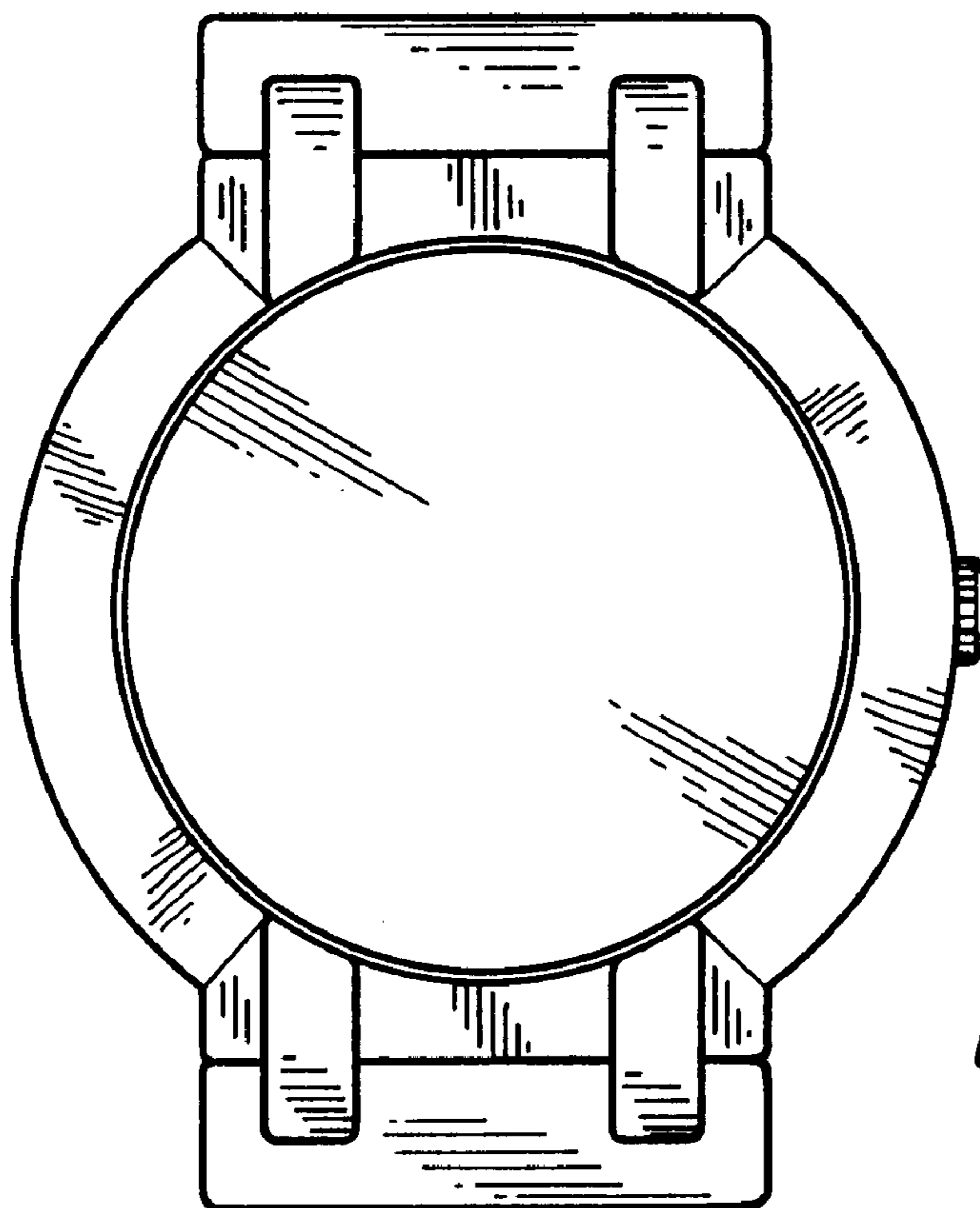
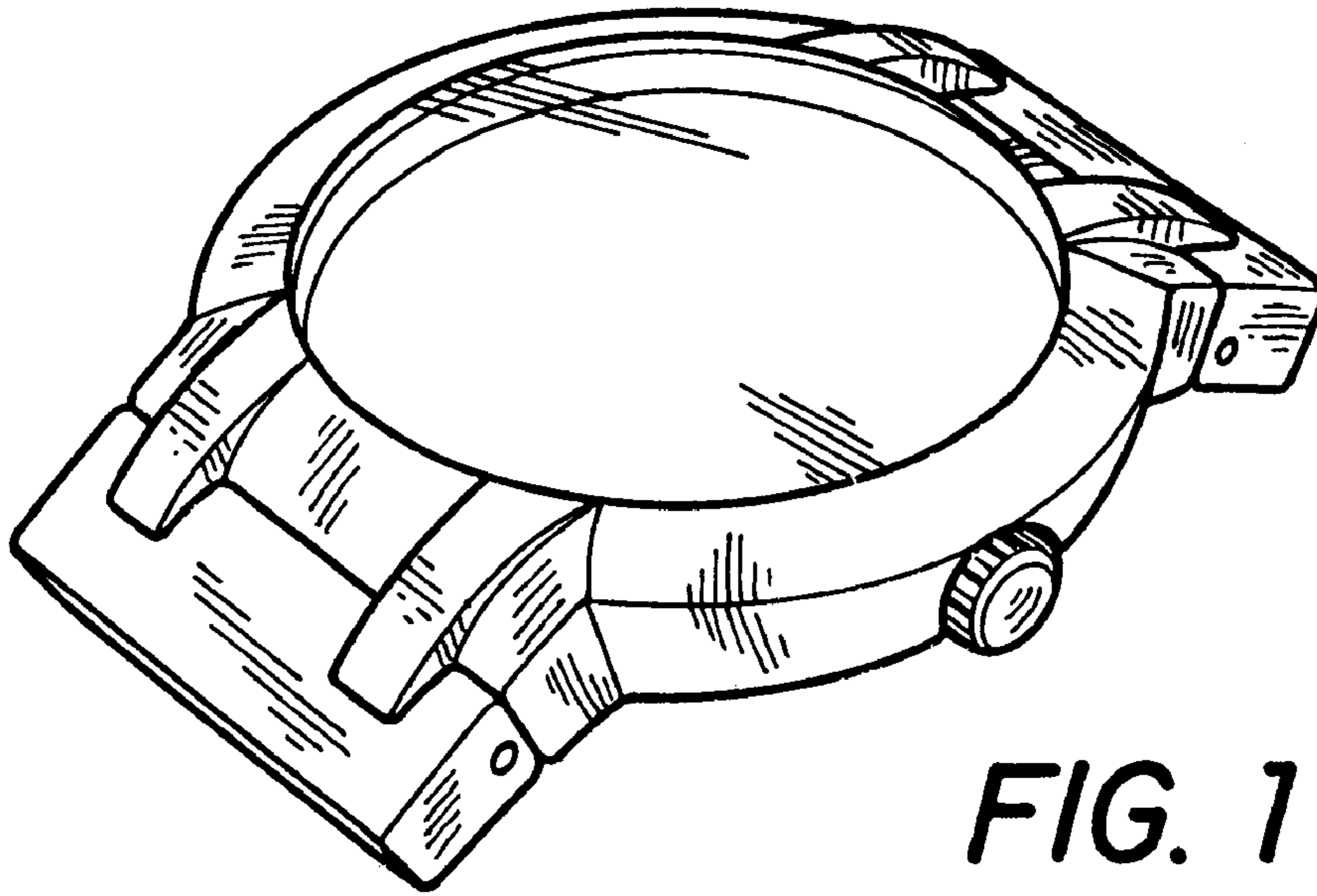
### [56] References Cited

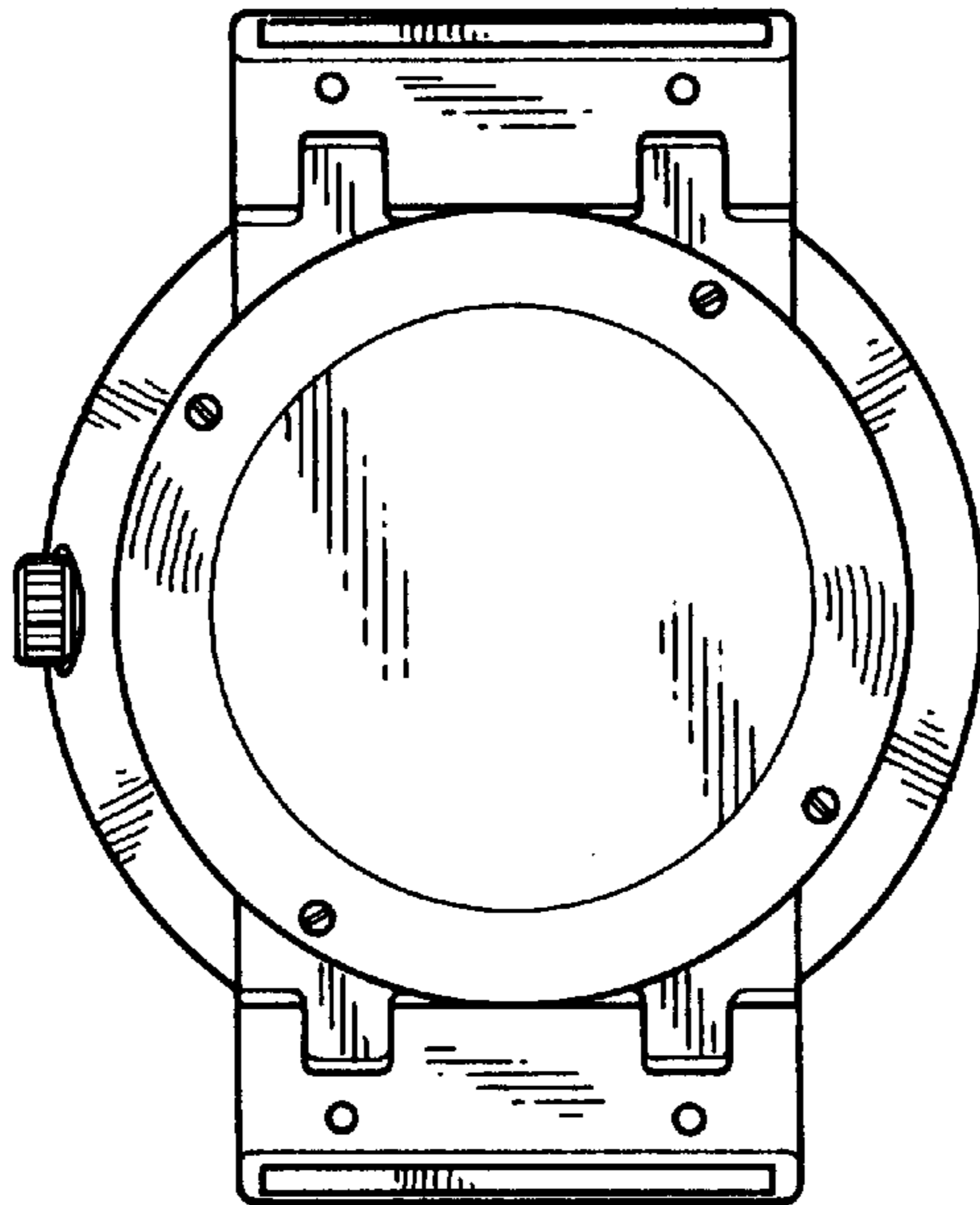
#### U.S. PATENT DOCUMENTS

D. 352,466 11/1994 Ventrella ..... D10/32

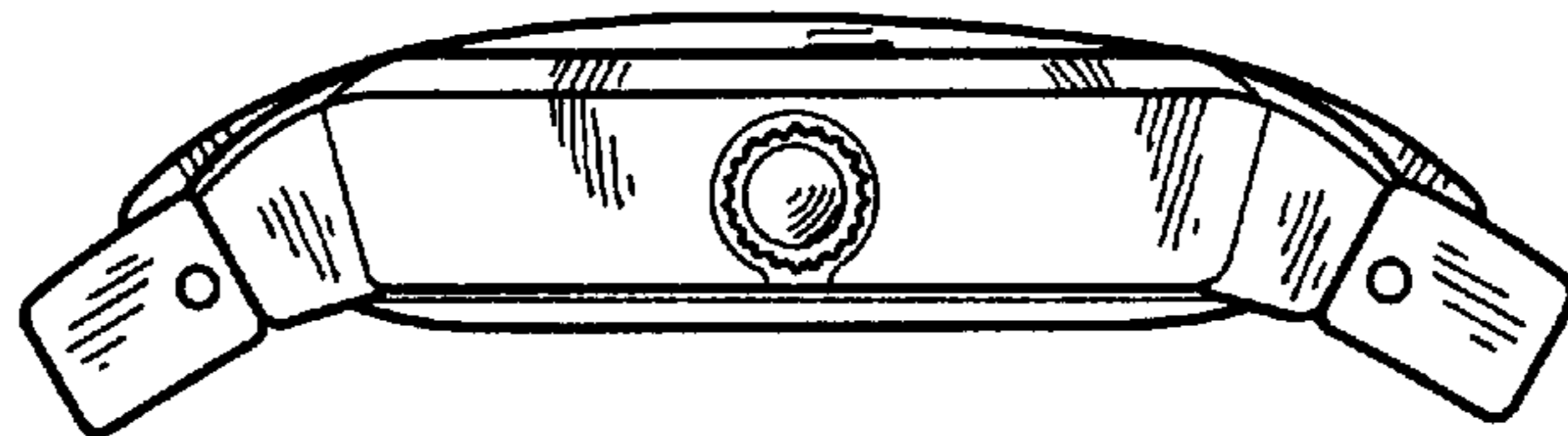
**1 Claim, 2 Drawing Sheets**



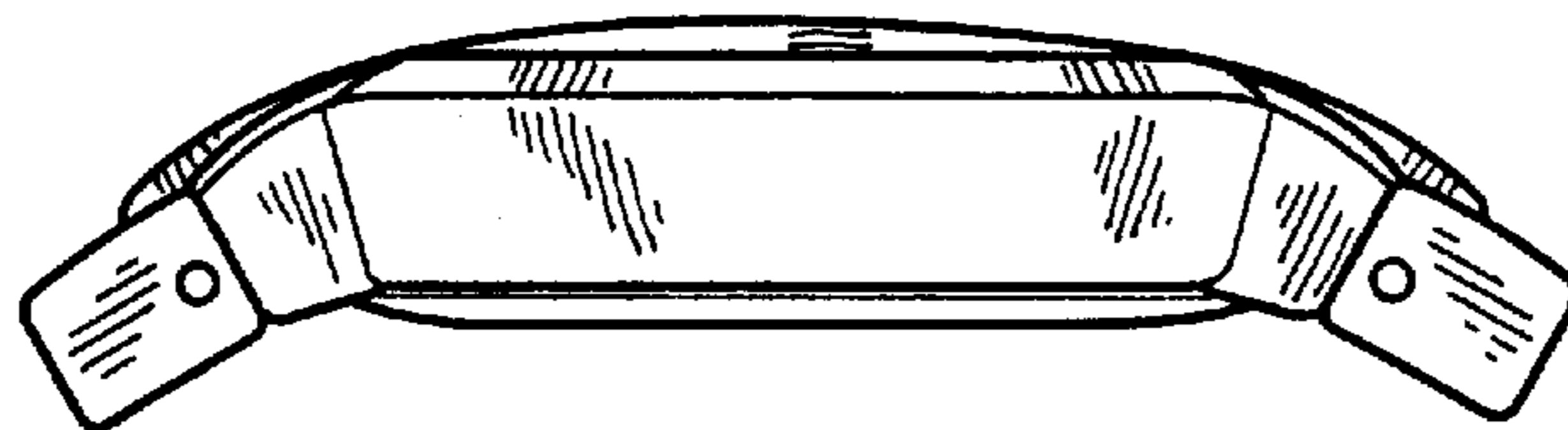




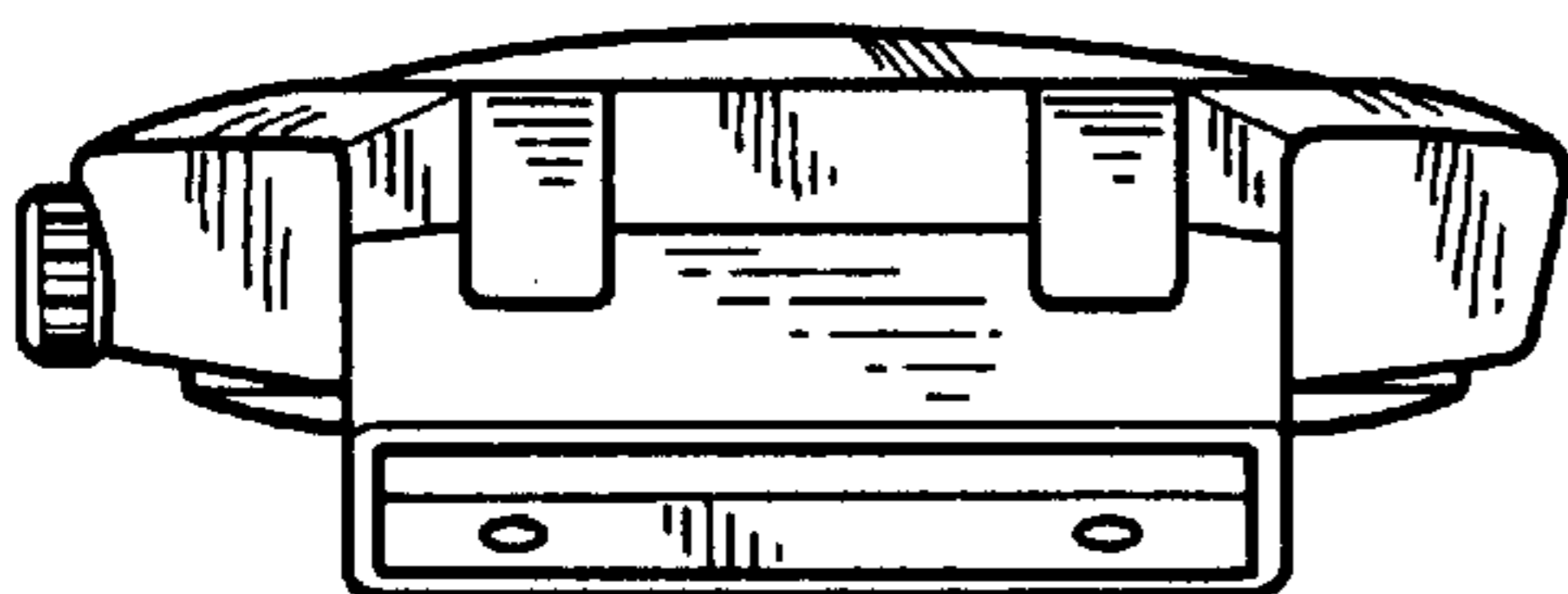
*FIG. 3*



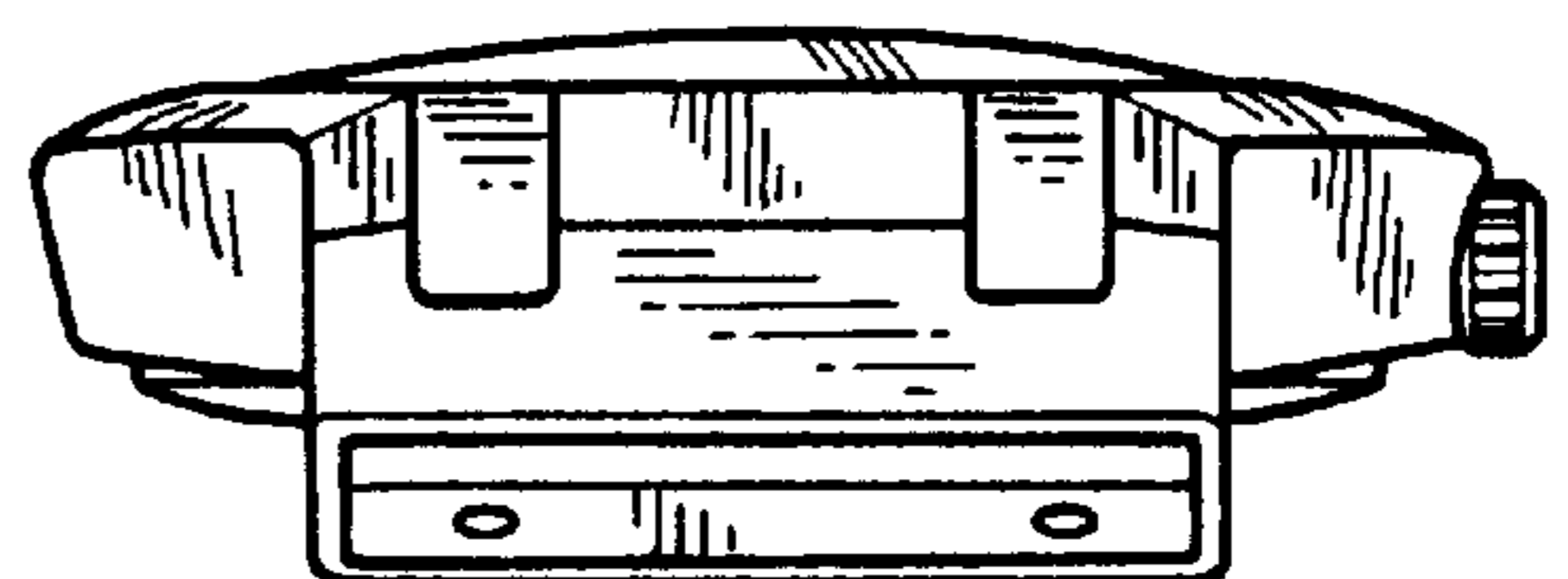
*FIG. 4*



*FIG. 5*



*FIG. 6*



*FIG. 7*