



US00D434986S

United States Patent [19]
Grant et al.

[11] **Patent Number: Des. 434,986**
[45] **Date of Patent: ** Dec. 12, 2000**

[54] **INDICATING INSTRUMENT, E.G. A CLOCK**

[75] Inventors: **Patrick A. B. Grant**, Flichity; **Paul John Stariski**, Strathpeffer, both of United Kingdom

[73] Assignee: **Grants of Dalvey Limited**, United Kingdom

[**] Term: **14 Years**

[21] Appl. No.: **29/121,655**

[22] Filed: **Apr. 7, 2000**

[30] **Foreign Application Priority Data**

Jan. 27, 2000 [GB] United Kingdom 2089874

[51] **LOC (7) Cl.** **10-01**

[52] **U.S. Cl.** **D10/18**

[58] **Field of Search** D10/1-40, 122-132; 368/276-277, 285, 316-317

[56] **References Cited**

U.S. PATENT DOCUMENTS

D. 71,785	1/1927	Edelstein	D10/15
D. 266,058	9/1982	Kanoui	D10/39
D. 386,984	12/1997	Kubisch	D10/39
1,519,031	12/1924	Huguenin	D10/18 X
1,645,633	10/1927	Wakefield	D10/18 X

Primary Examiner—Nelson C. Holtje
Attorney, Agent, or Firm—Henry H. Skillman; Dann, Dorfman, Herrell & Skillman

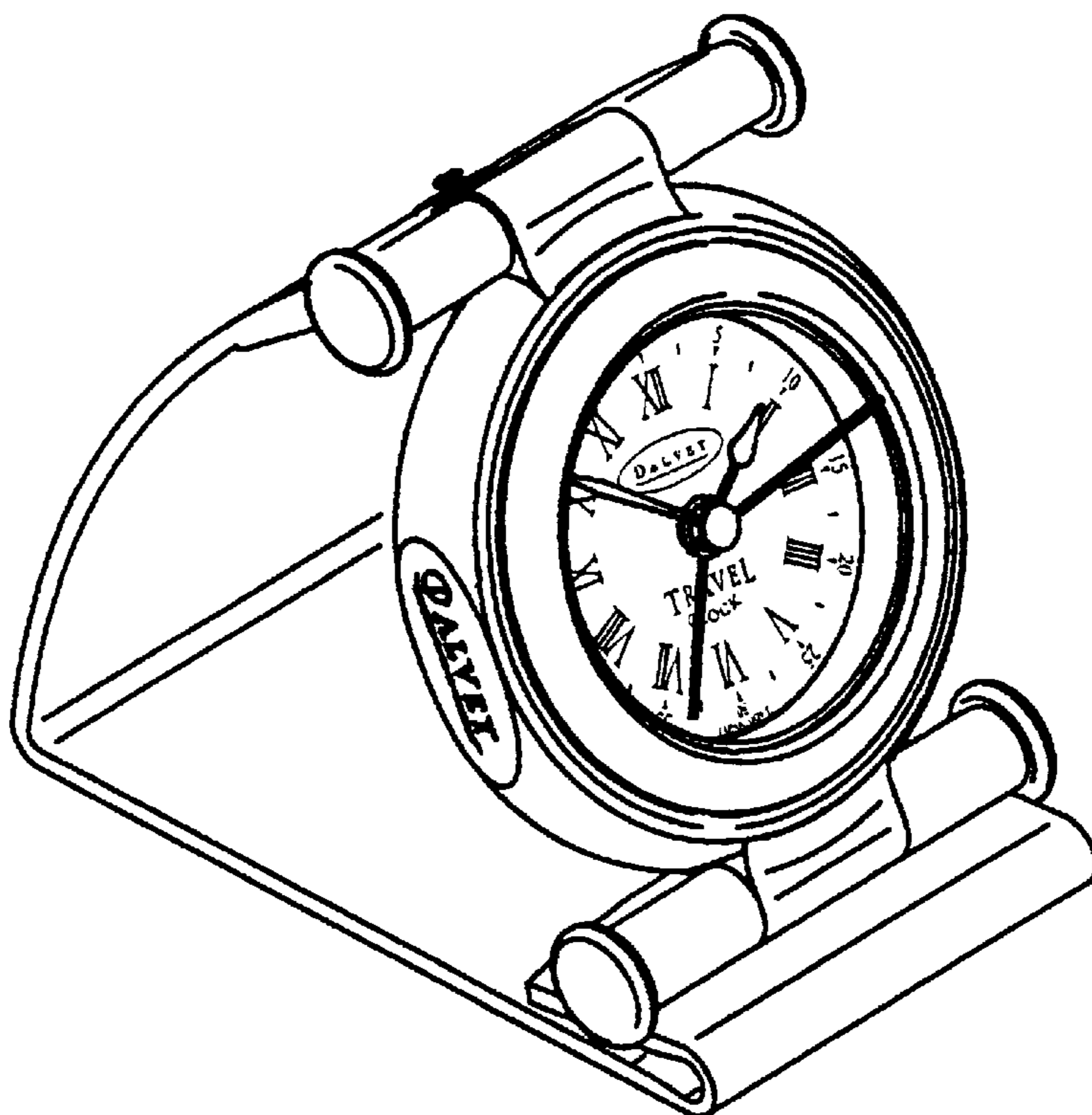
[57] **CLAIM**

The ornamental design for an indicating instrument, e.g. a clock, as shown and described.

DESCRIPTION

FIG. 1 is a top plan of an article in the form of an indicating instrument, E.G. A clock, in an open position; FIG. 2 is a front elevation of the article in an open position; FIG. 3 is an underneath plan of the article in an open position; FIG. 4 is a side elevation of the article in an open position and viewed from one side; FIG. 5 is a side elevation of the article in an open position and viewed from the other side; FIG. 6 is an isometric view from the front of the article in an open position; FIG. 7 is an isometric view from the rear of the article in an open position; FIG. 8 is a top plan of the article in a closed position; FIG. 9 is a front elevation of the article in a closed position; FIG. 10 is an underneath plan of the article in a closed position; FIG. 11 is a side elevation of the article in a closed position and viewed from one side; FIG. 12 is a side elevation of the article in a closed position and viewed from the other side; FIG. 13 is a rear elevation of the article in a closed position; FIG. 14 is an isometric view from the front of the article in a closed position; and, FIG. 15 is an isometric view from the rear of the article in a closed position. FIGS. 16-30 are views corresponding to FIGS. 1-15 of a second embodiment of an indicating instrument, e.g. a clock.

1 Claim, 8 Drawing Sheets



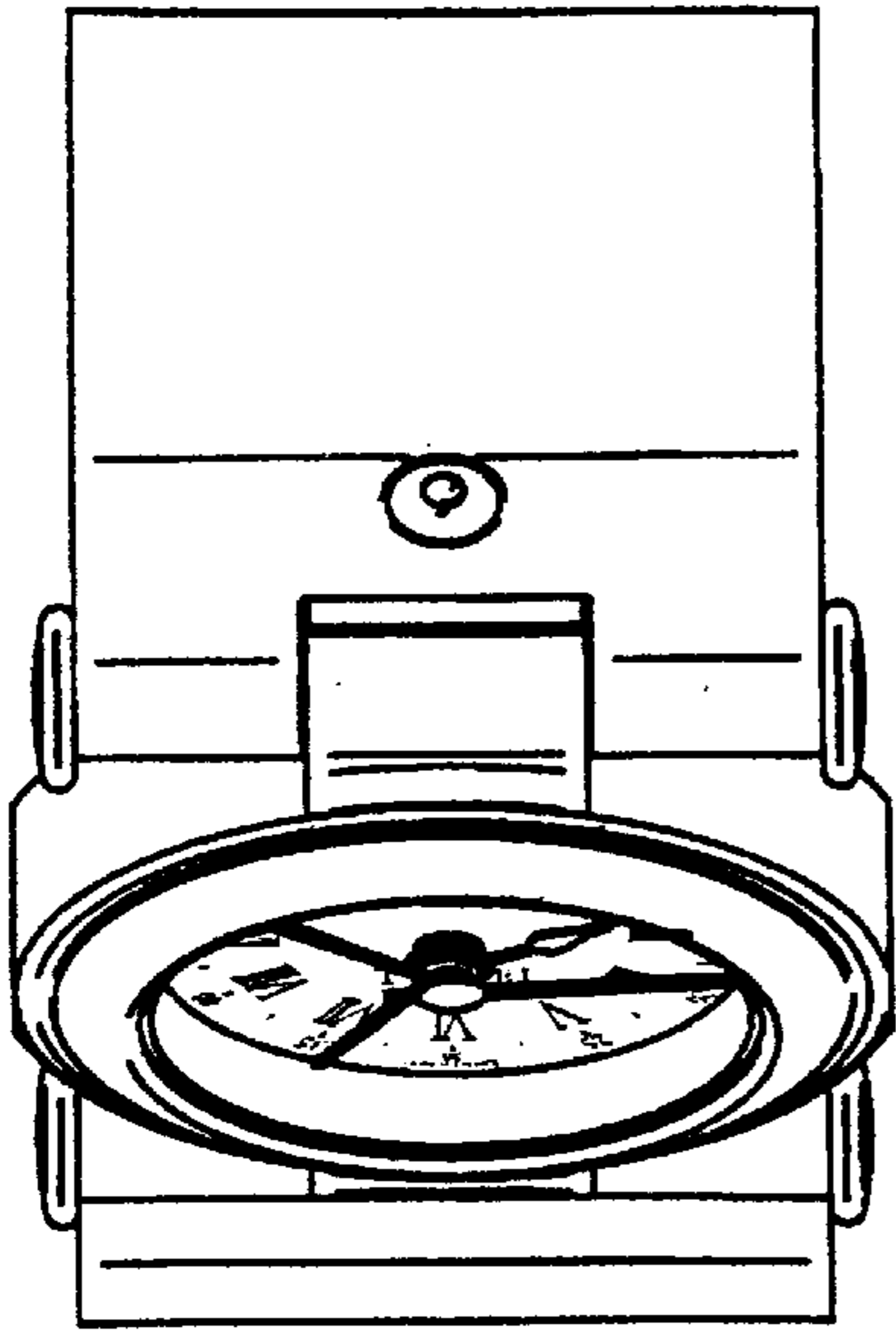


Fig. 1

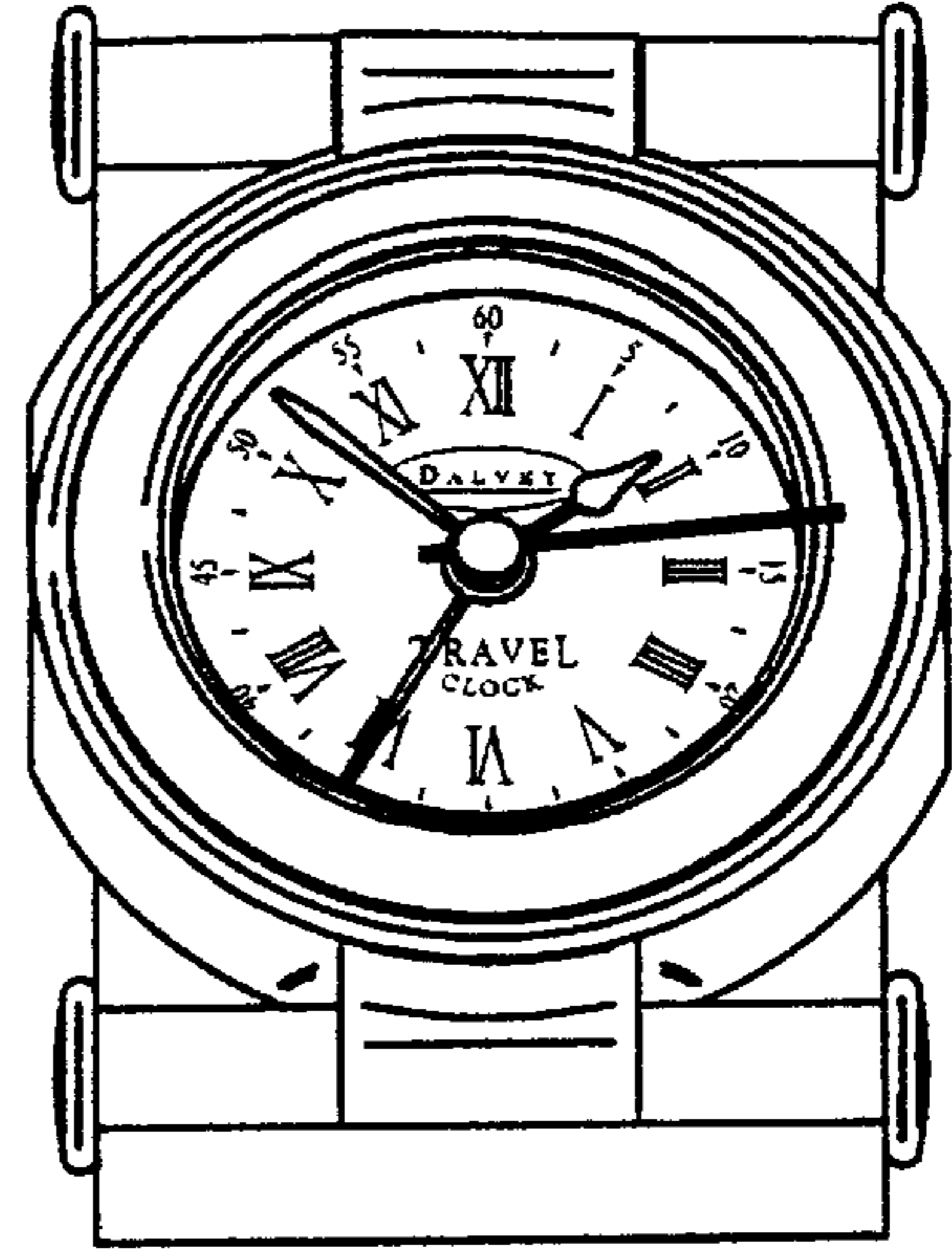


Fig. 2

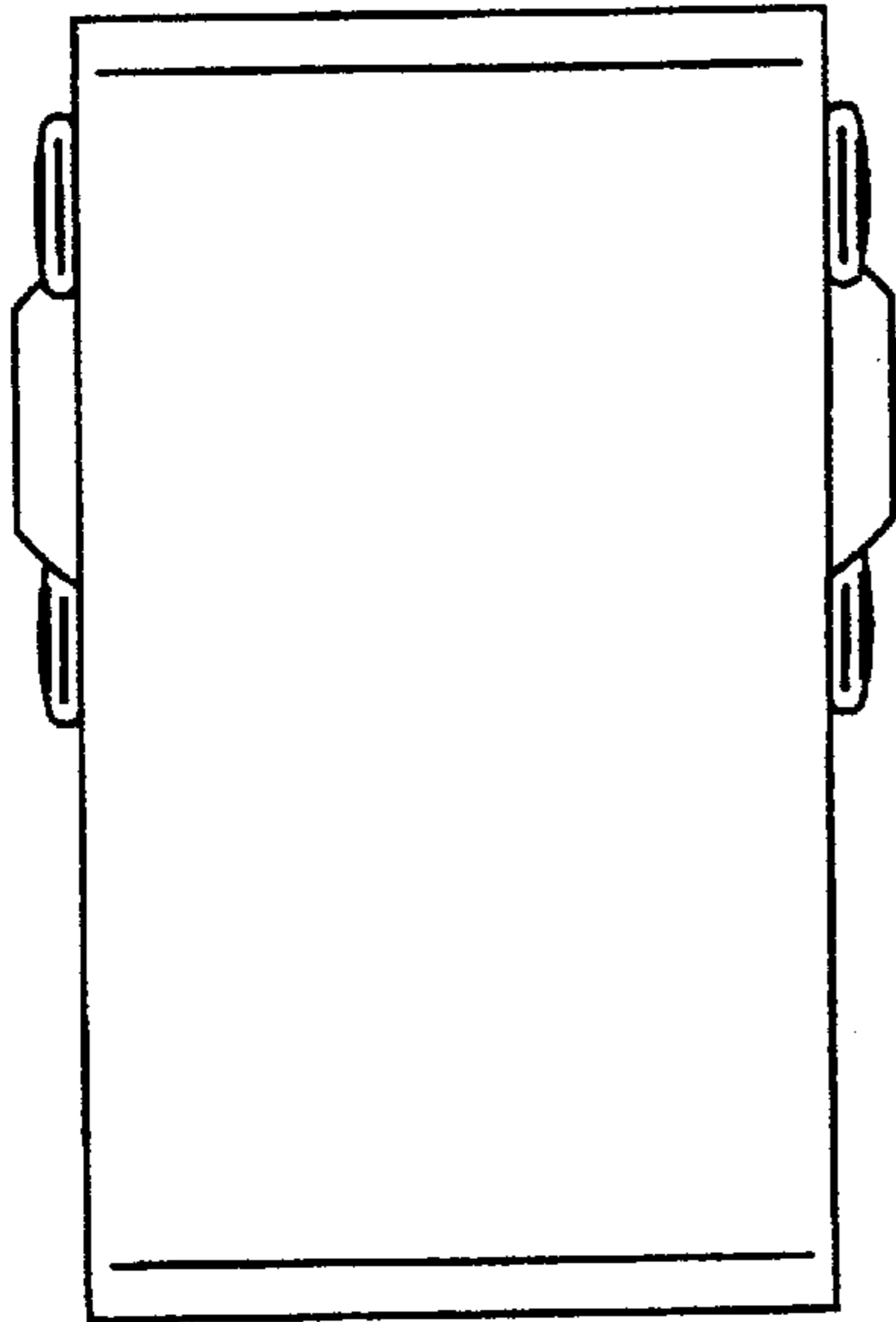


Fig. 3

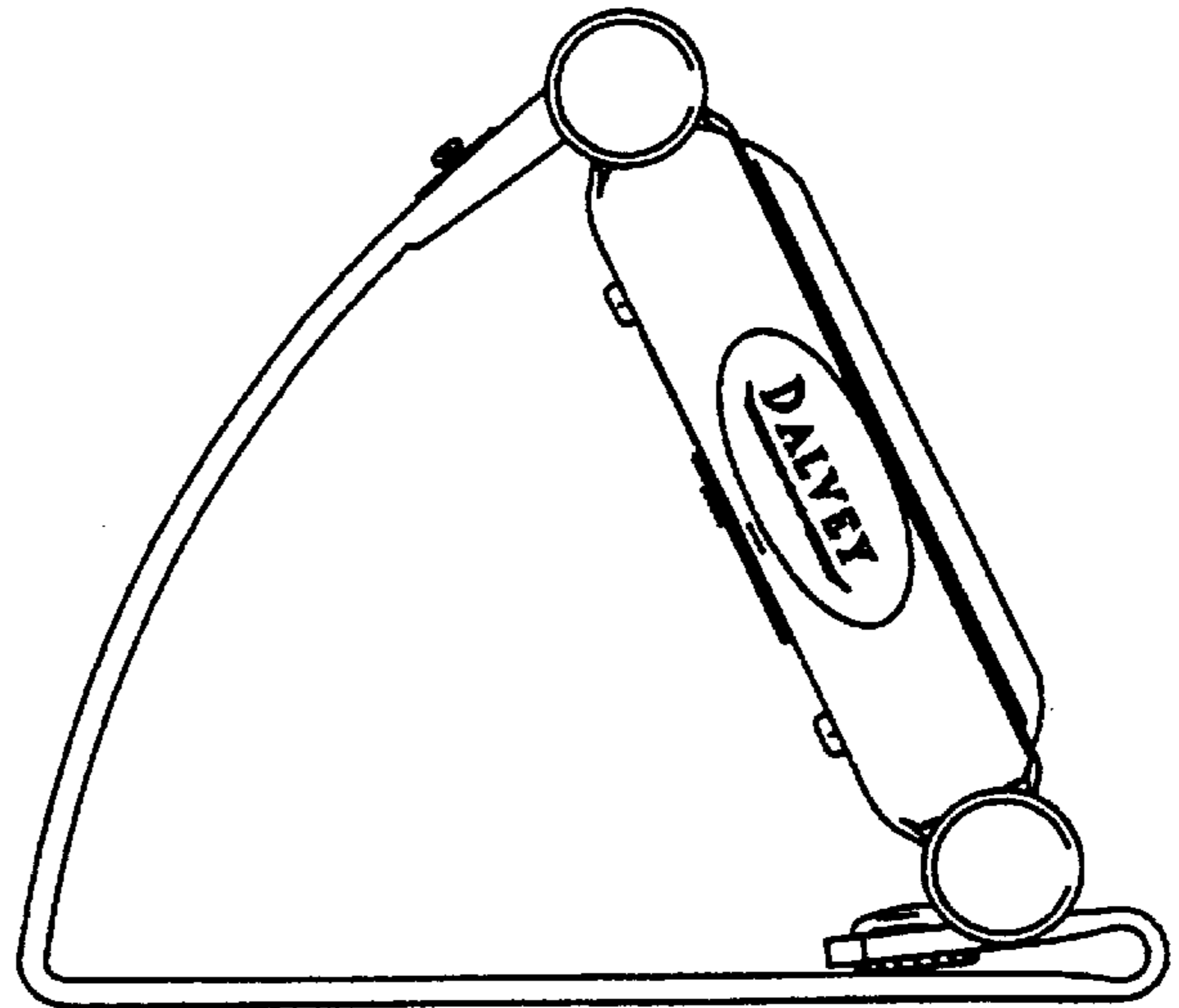


Fig. 4

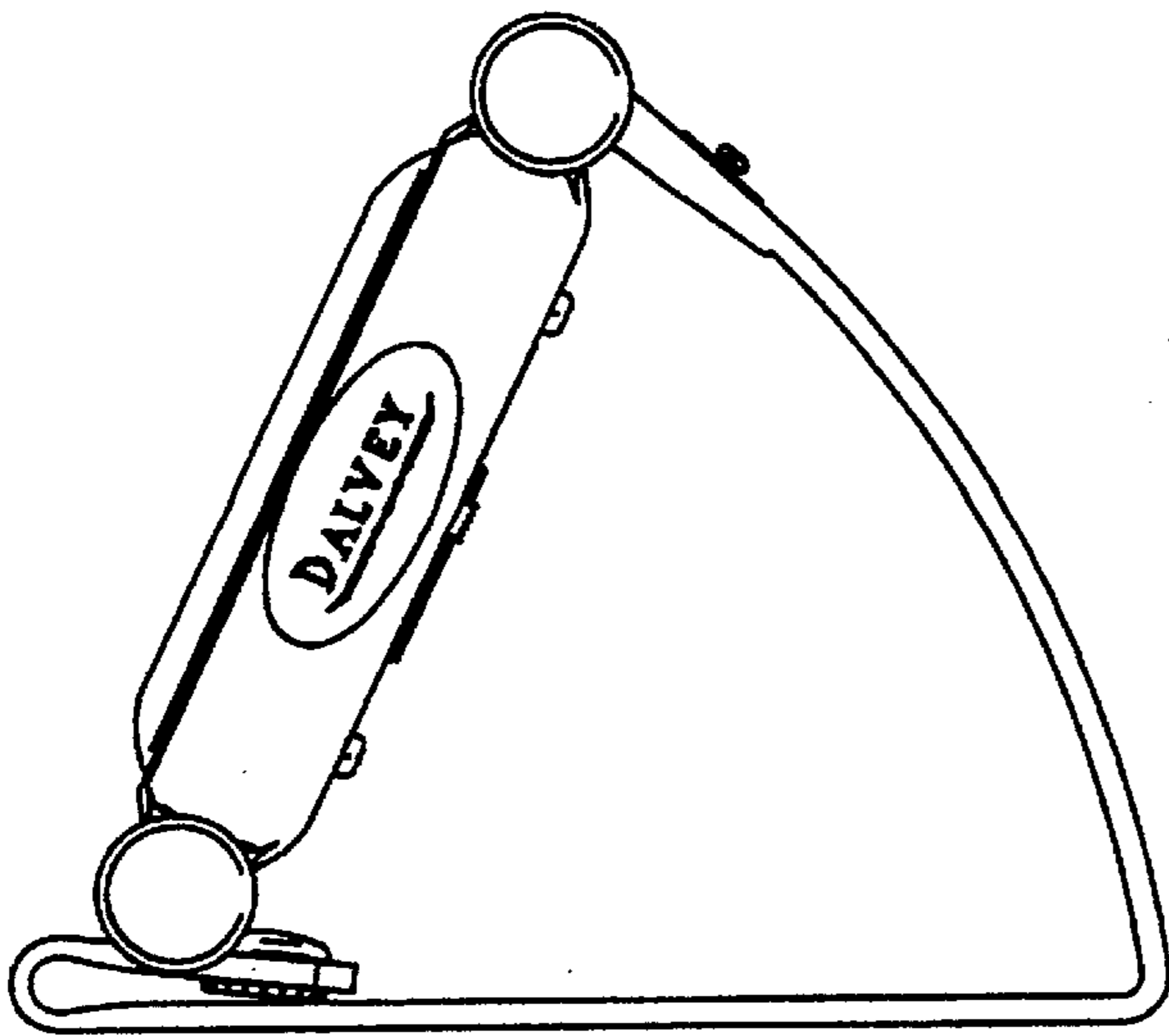


Fig. 5

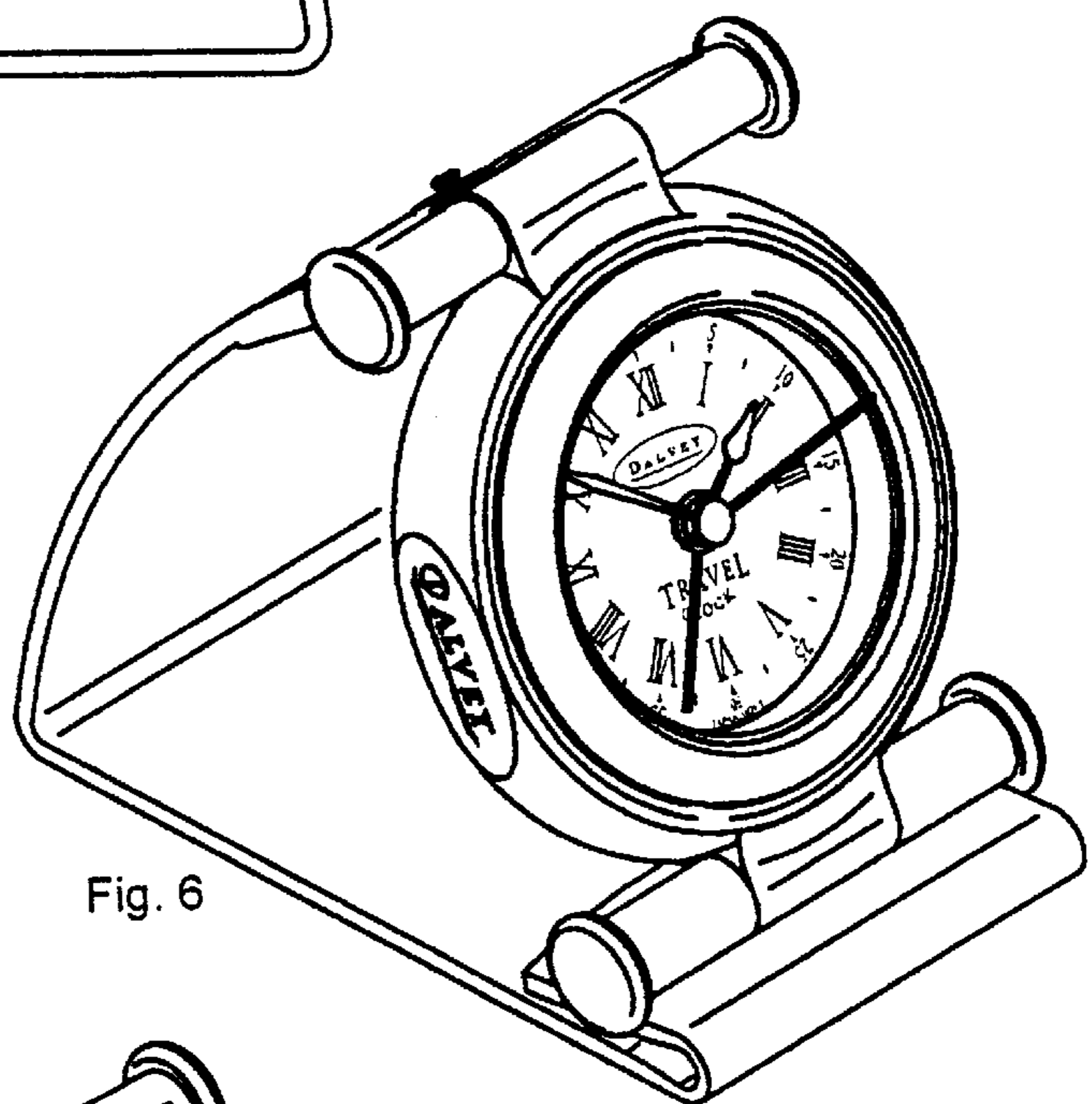


Fig. 6

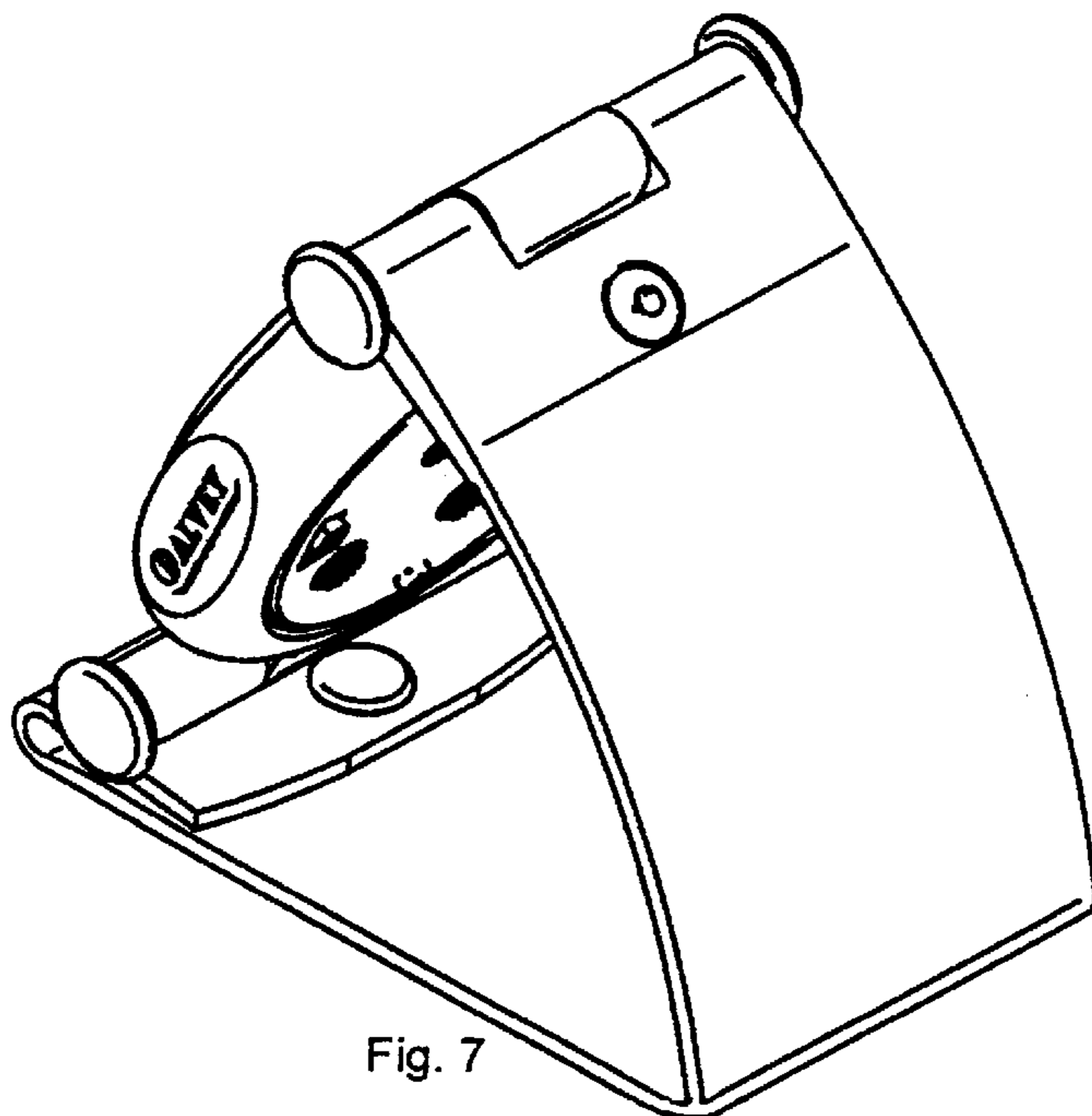


Fig. 7

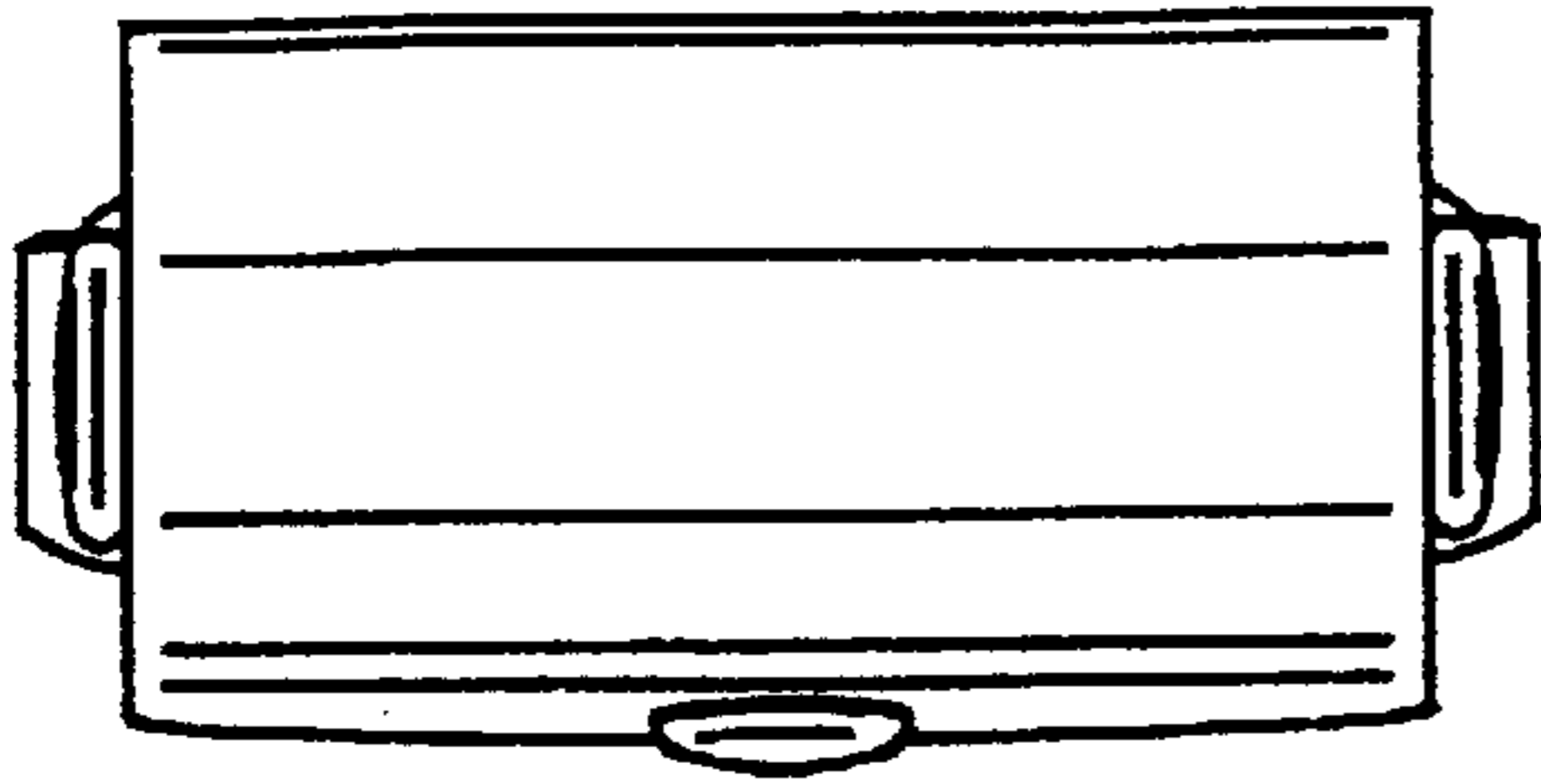


Fig. 8

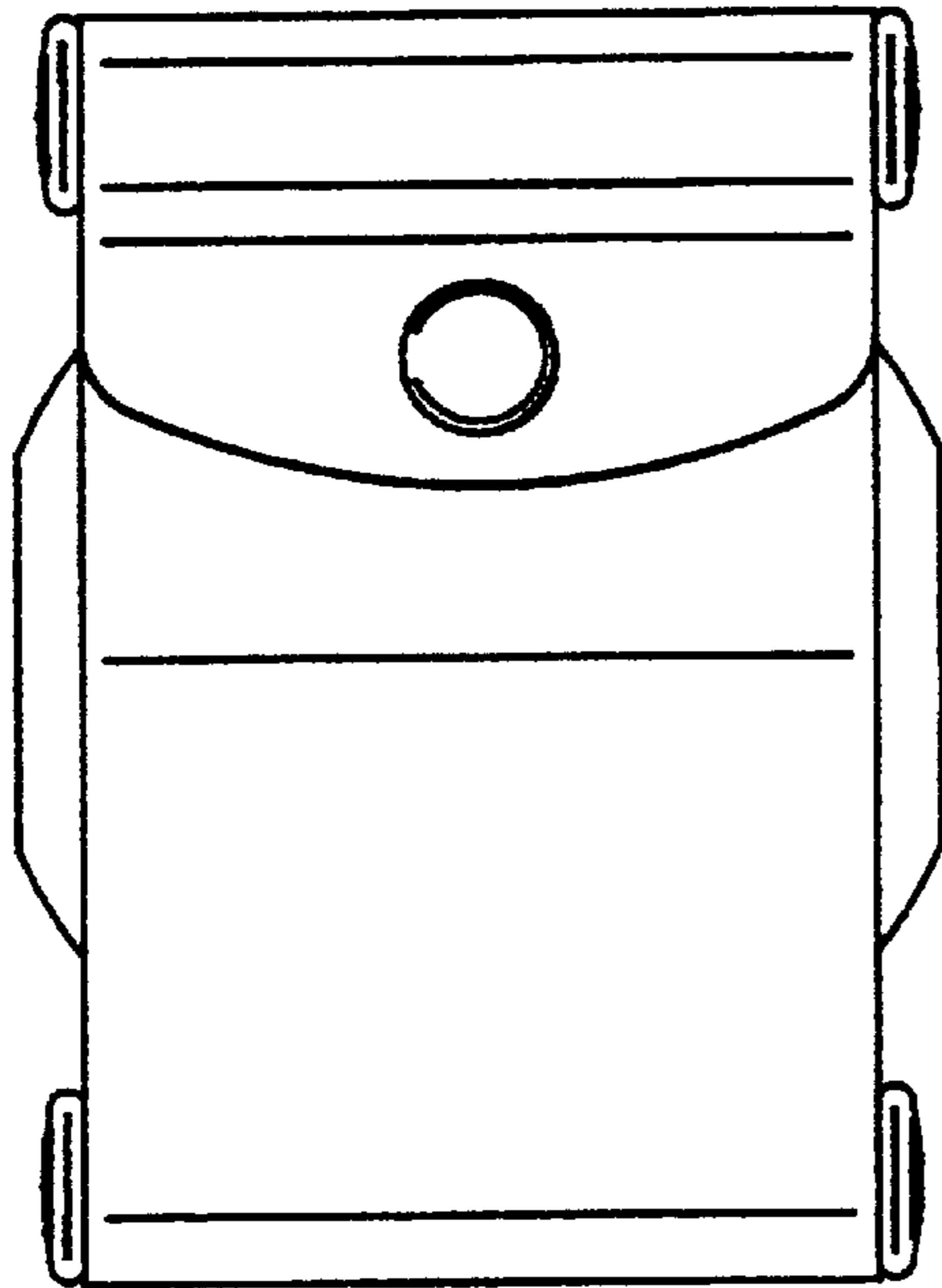


Fig. 9

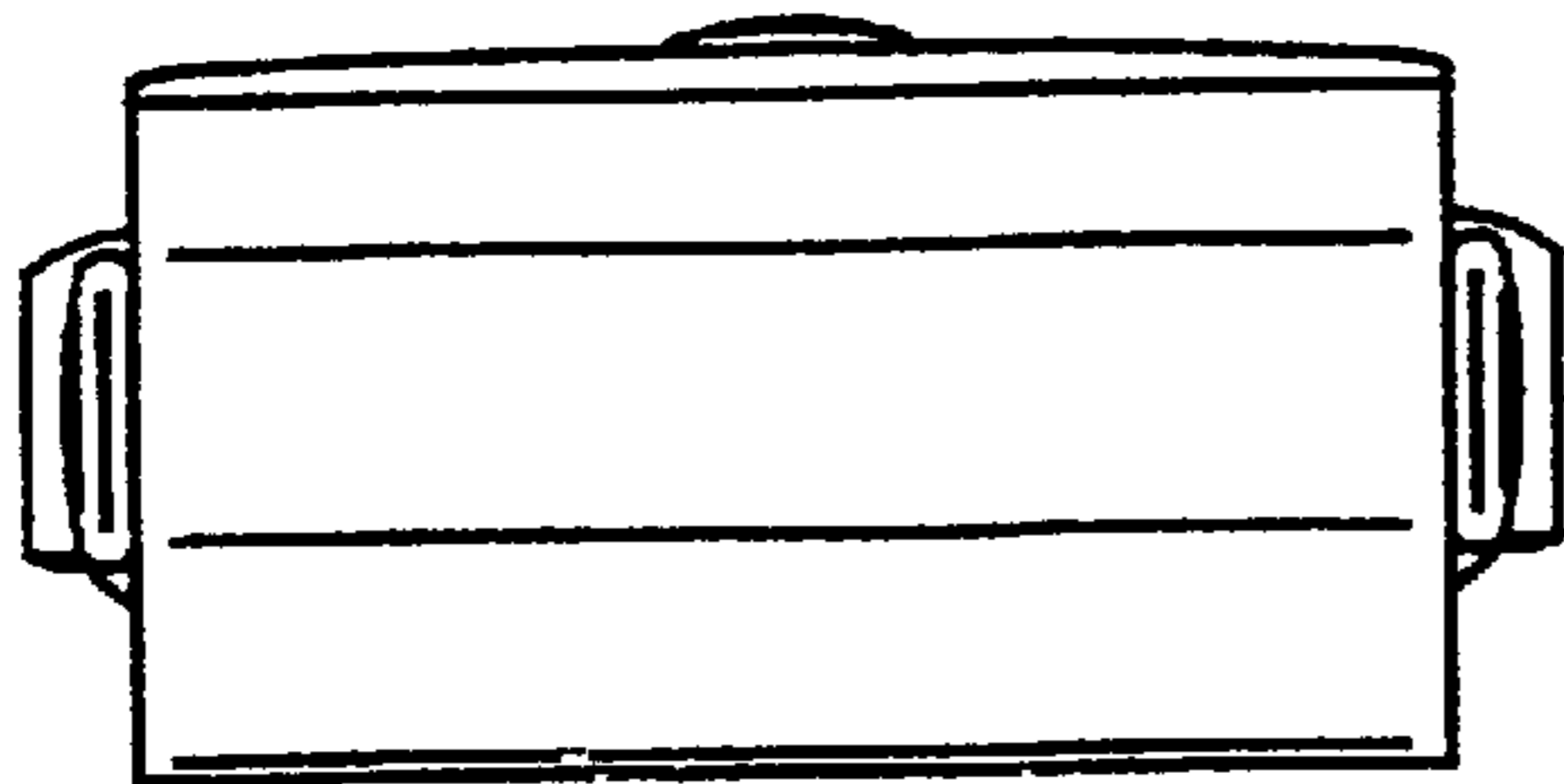


Fig. 10

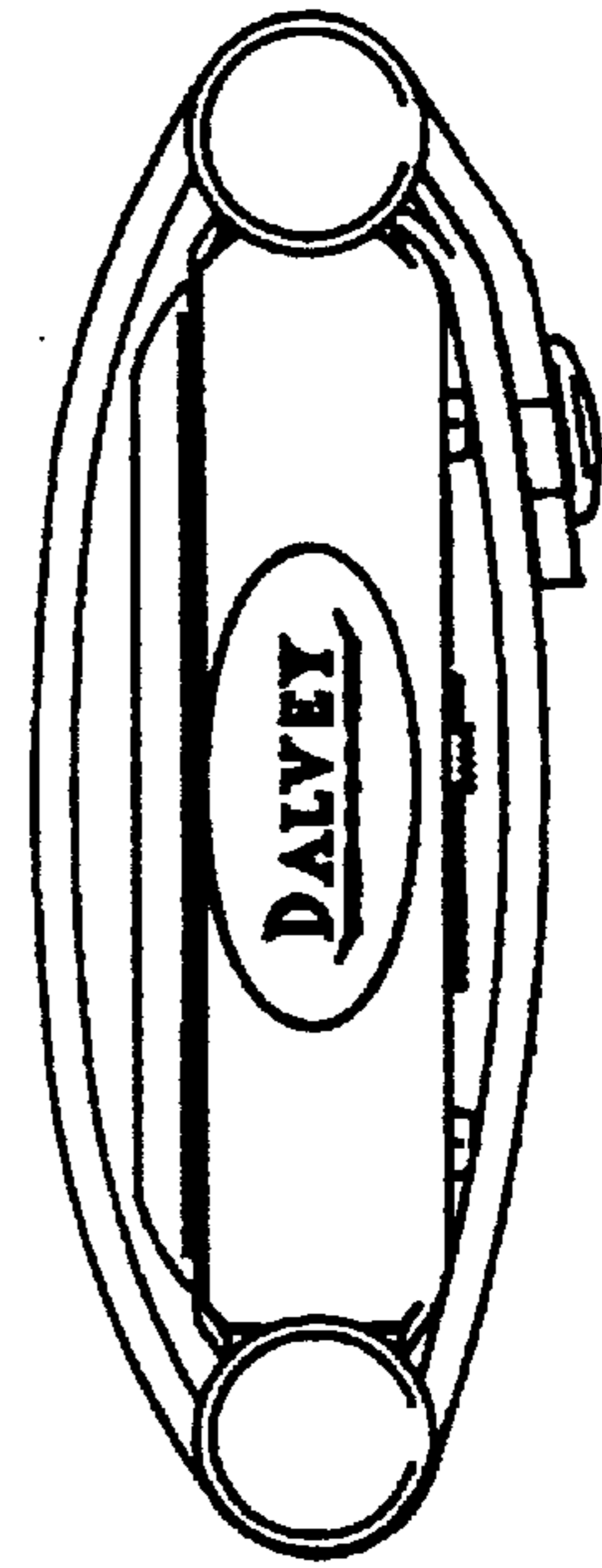


Fig. 11

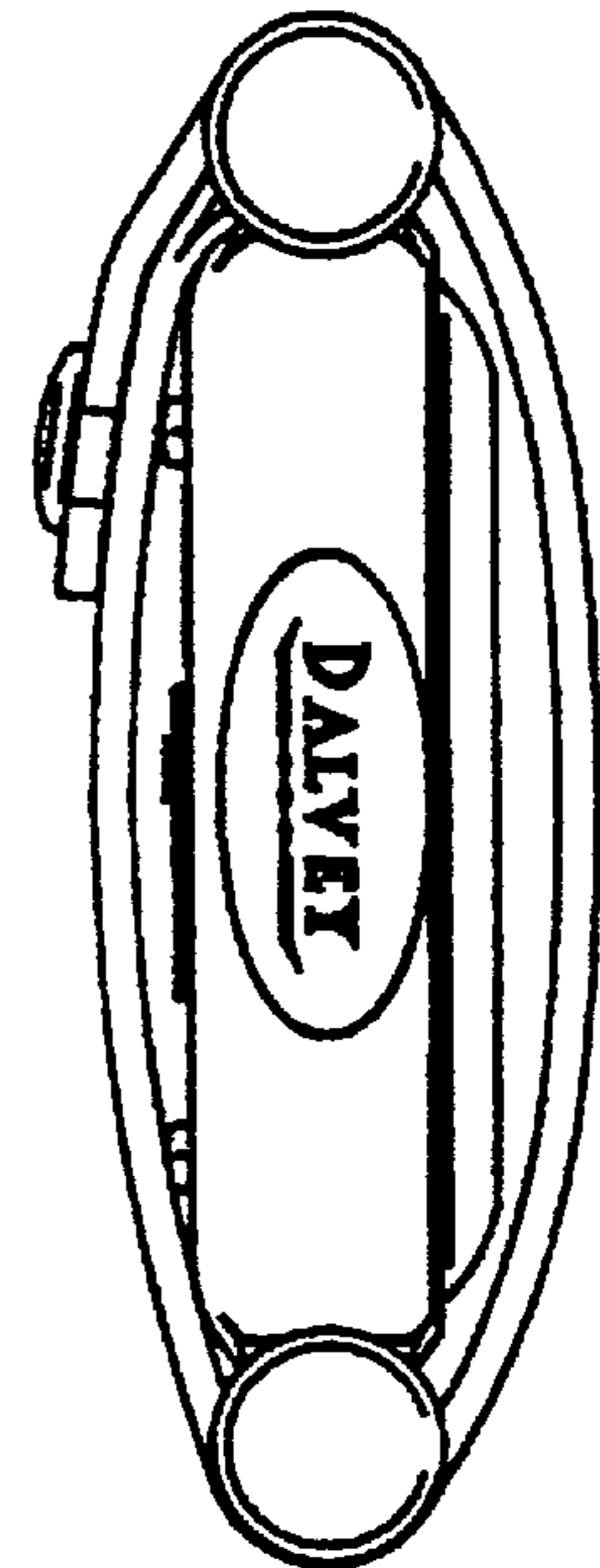


Fig. 12

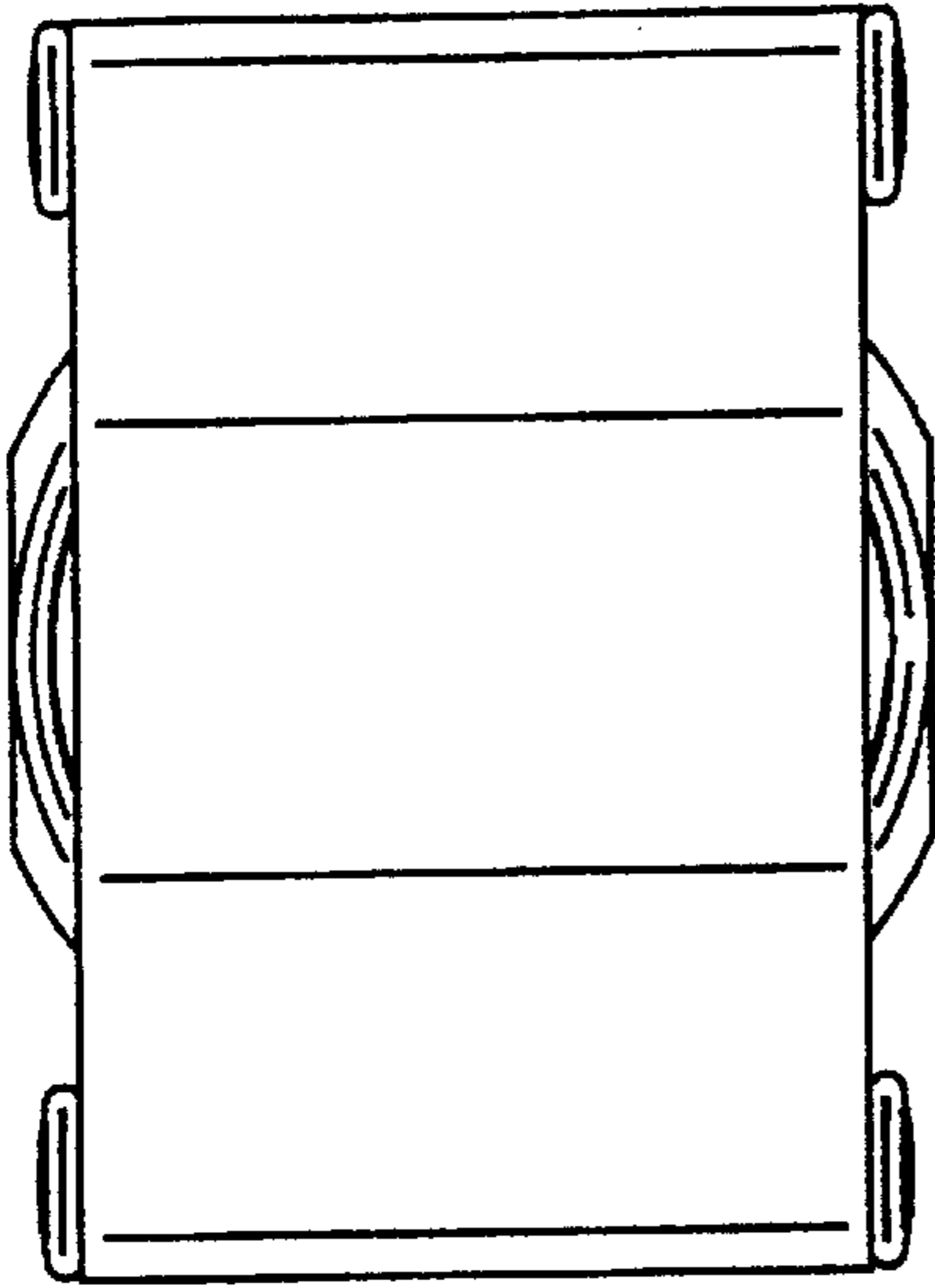


Fig. 13

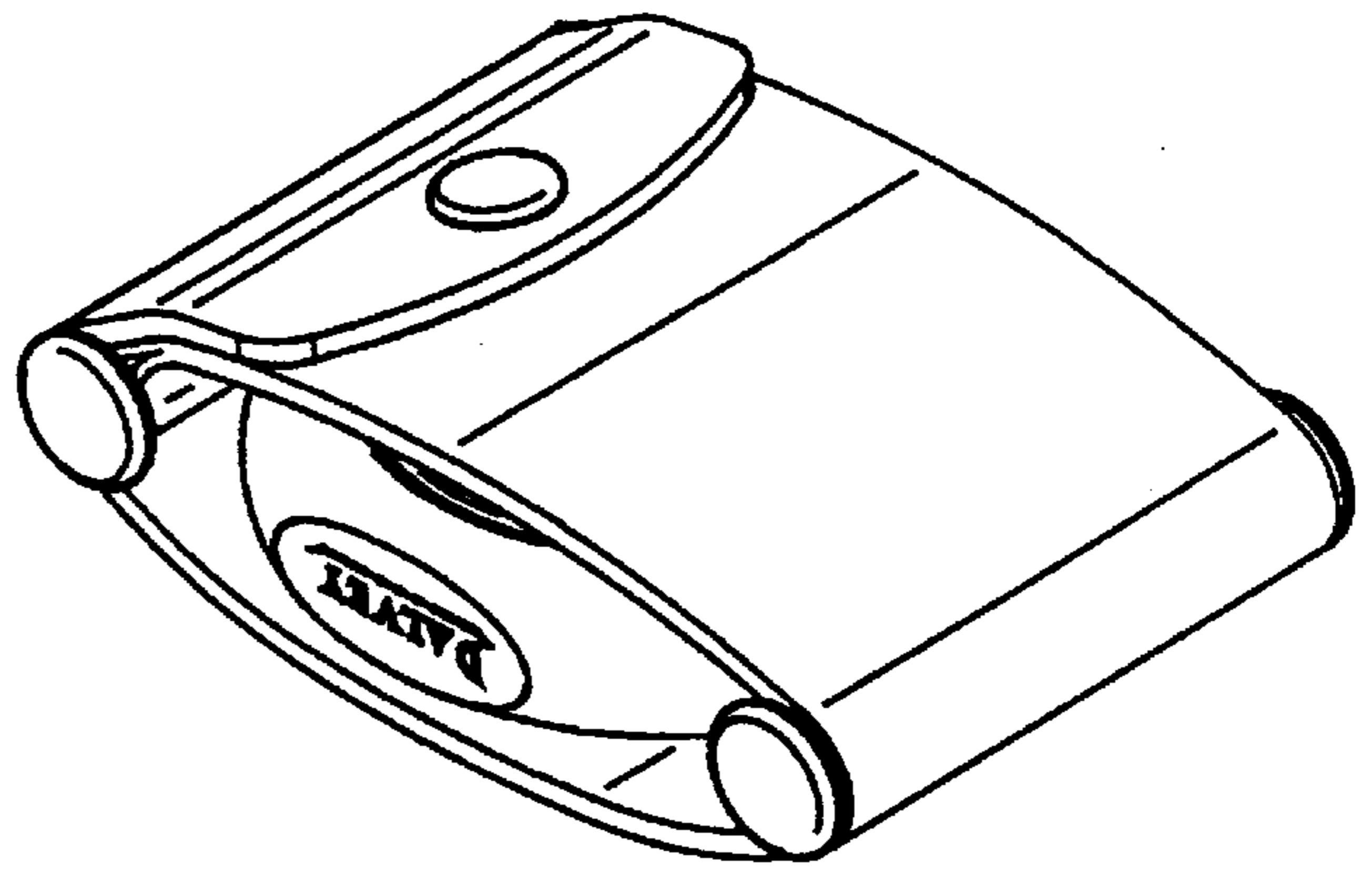


Fig. 14

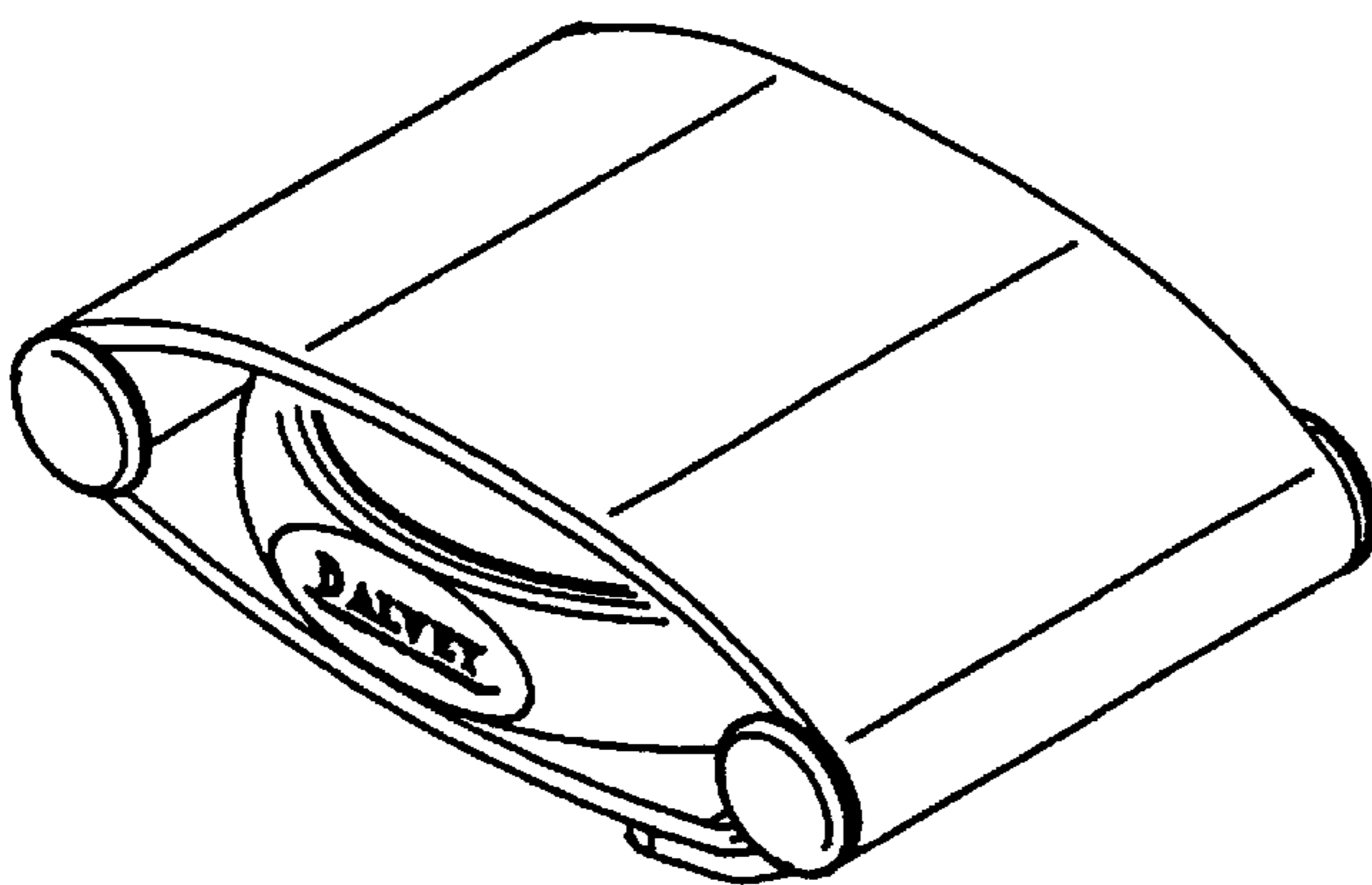


Fig. 15

Fig. 16

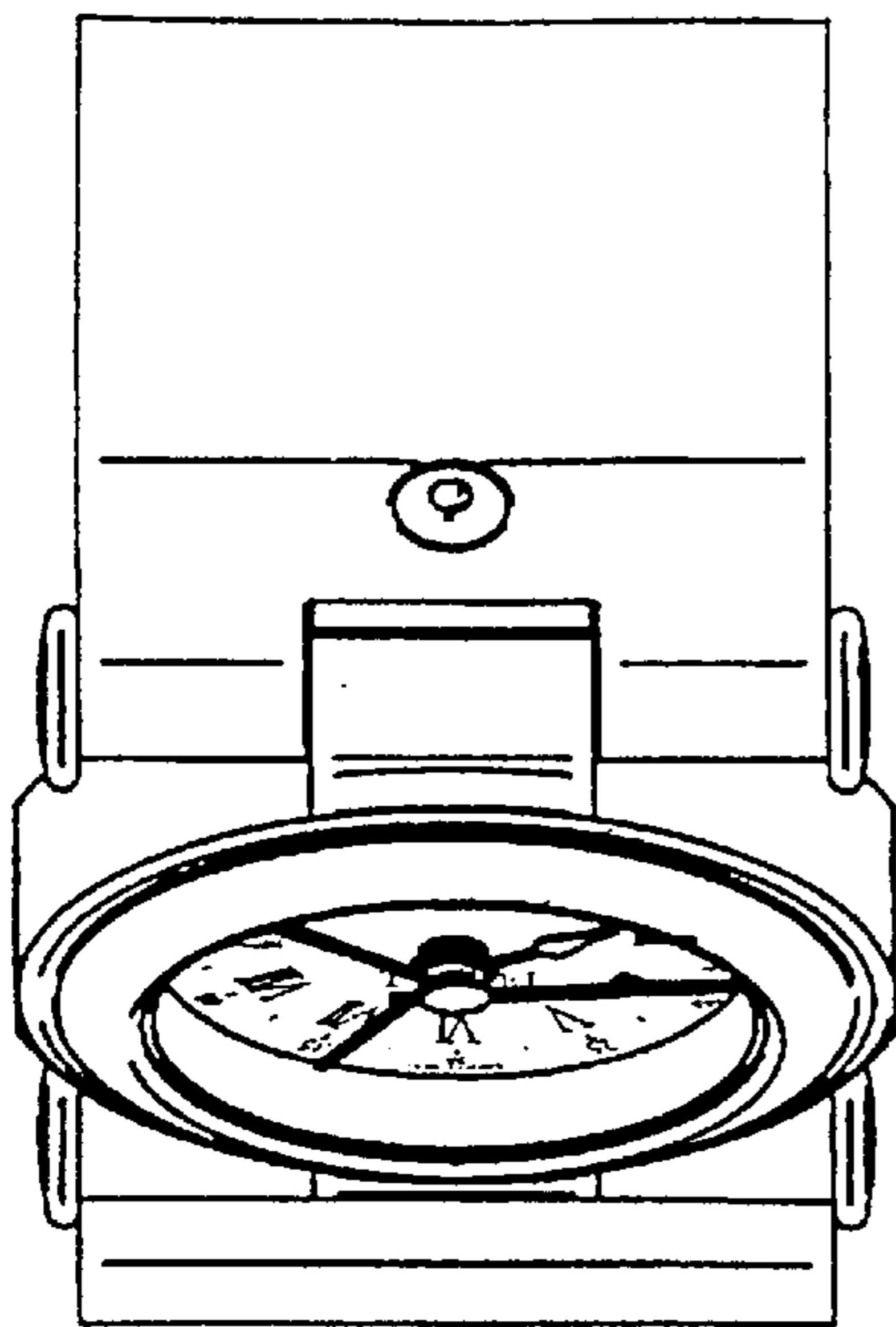


Fig. 17

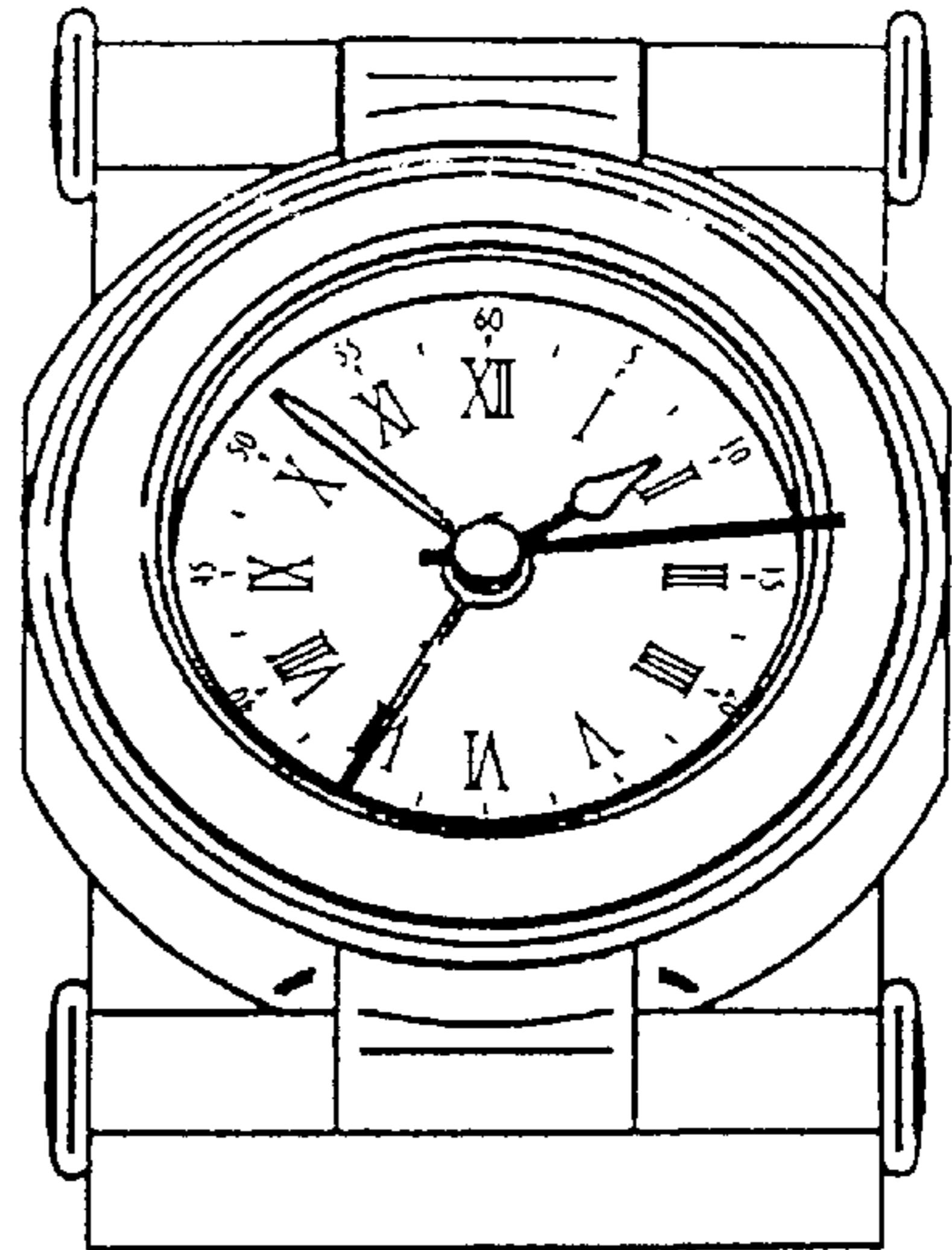


Fig. 18

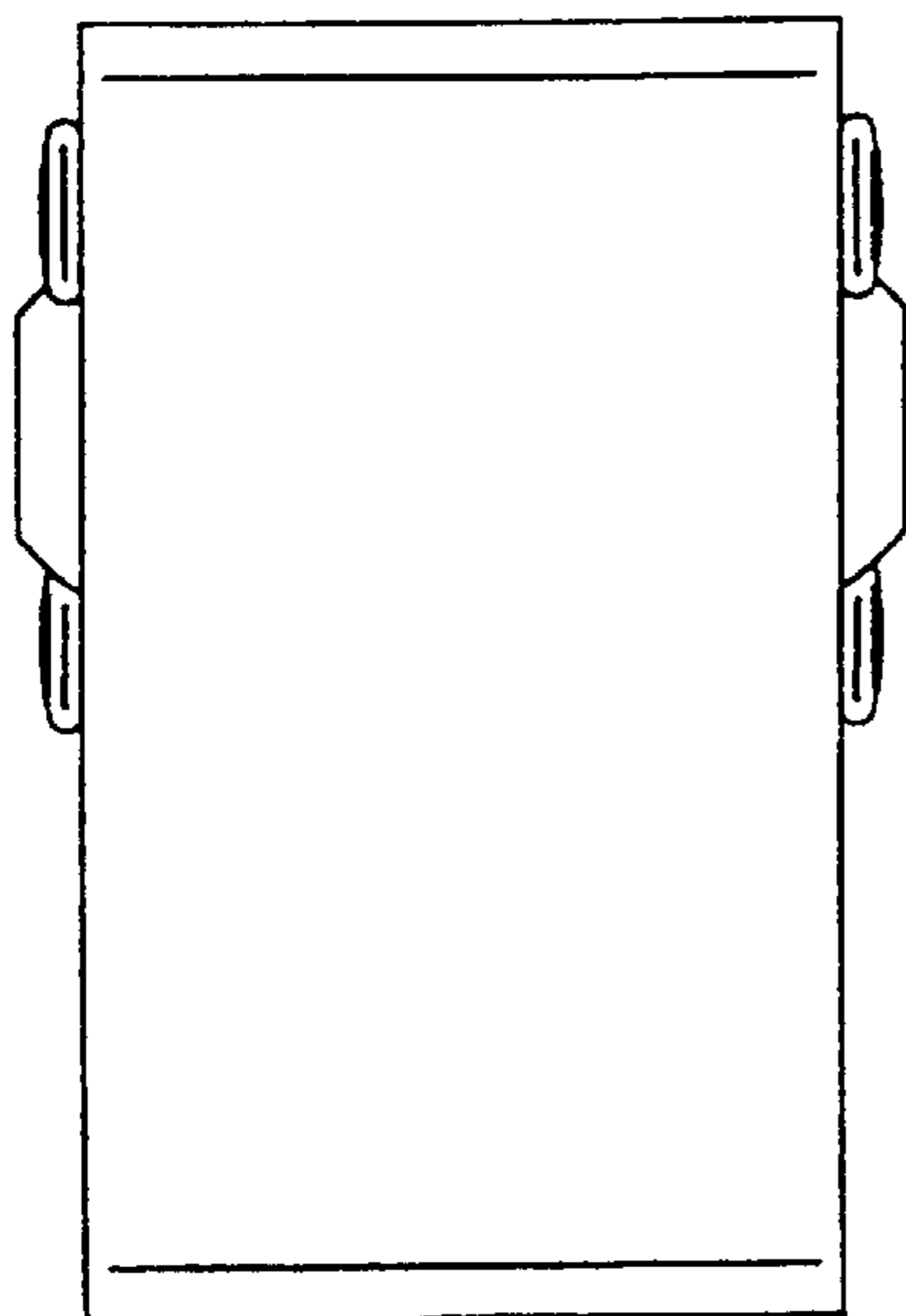
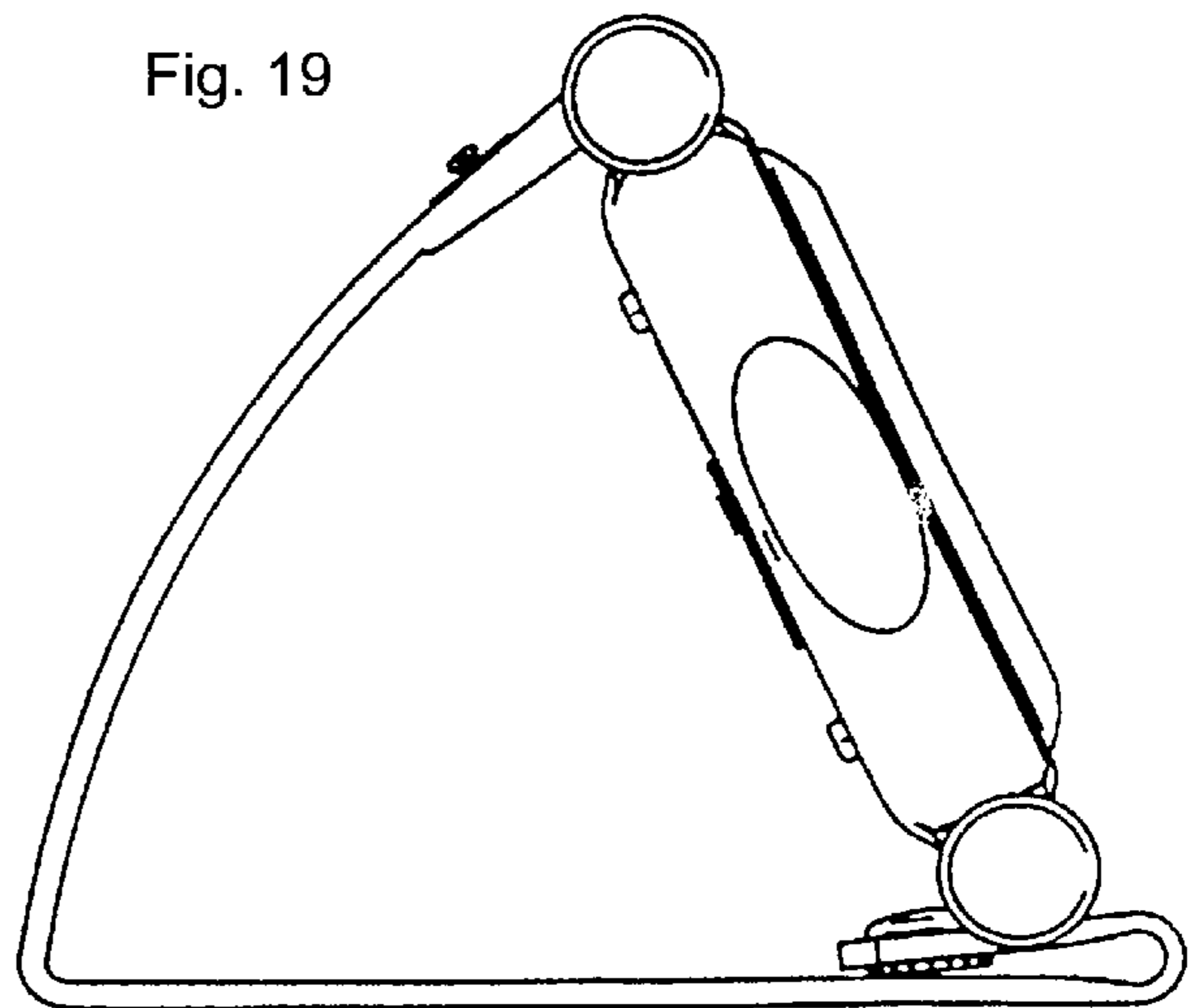


Fig. 19



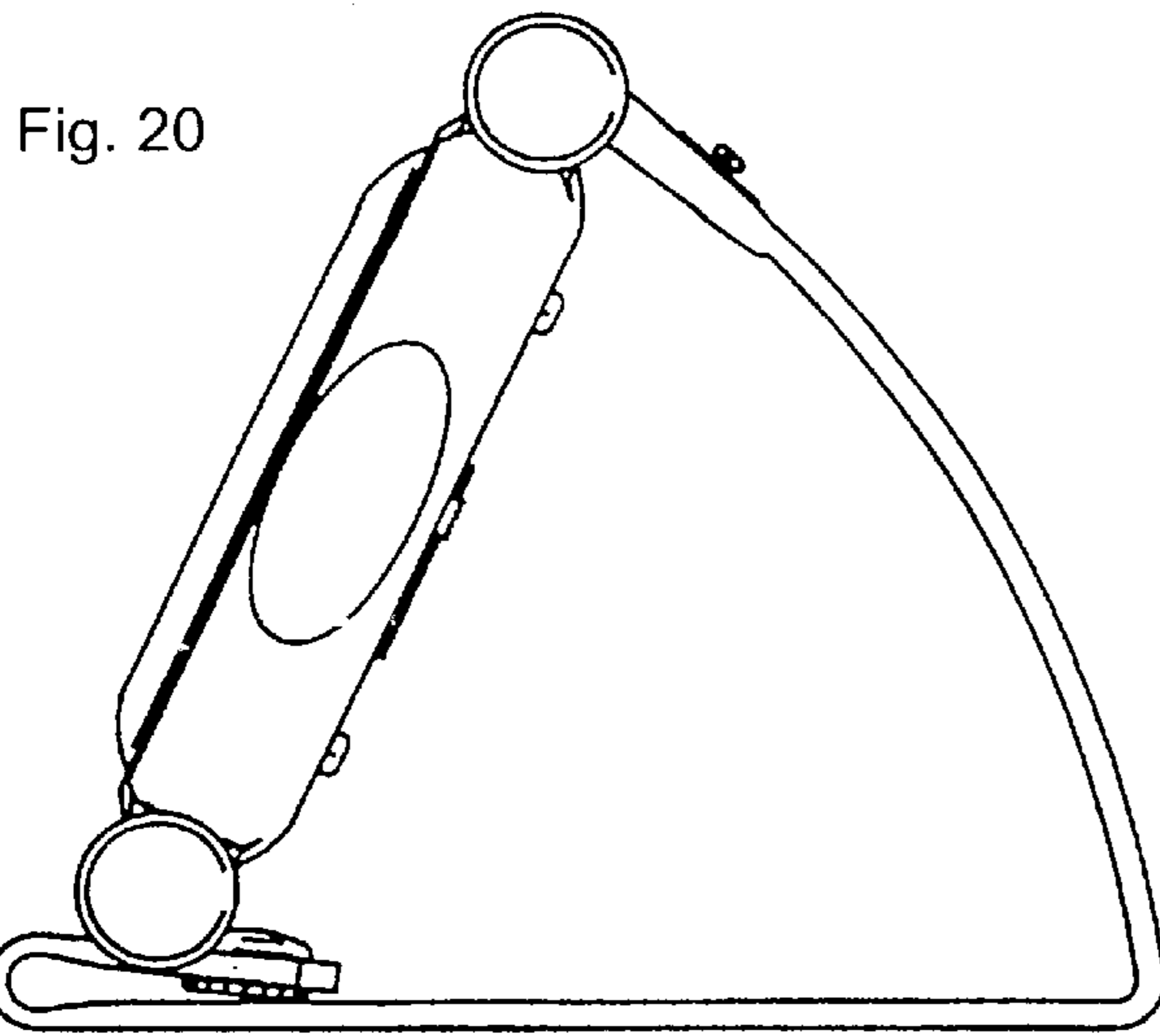


Fig. 21

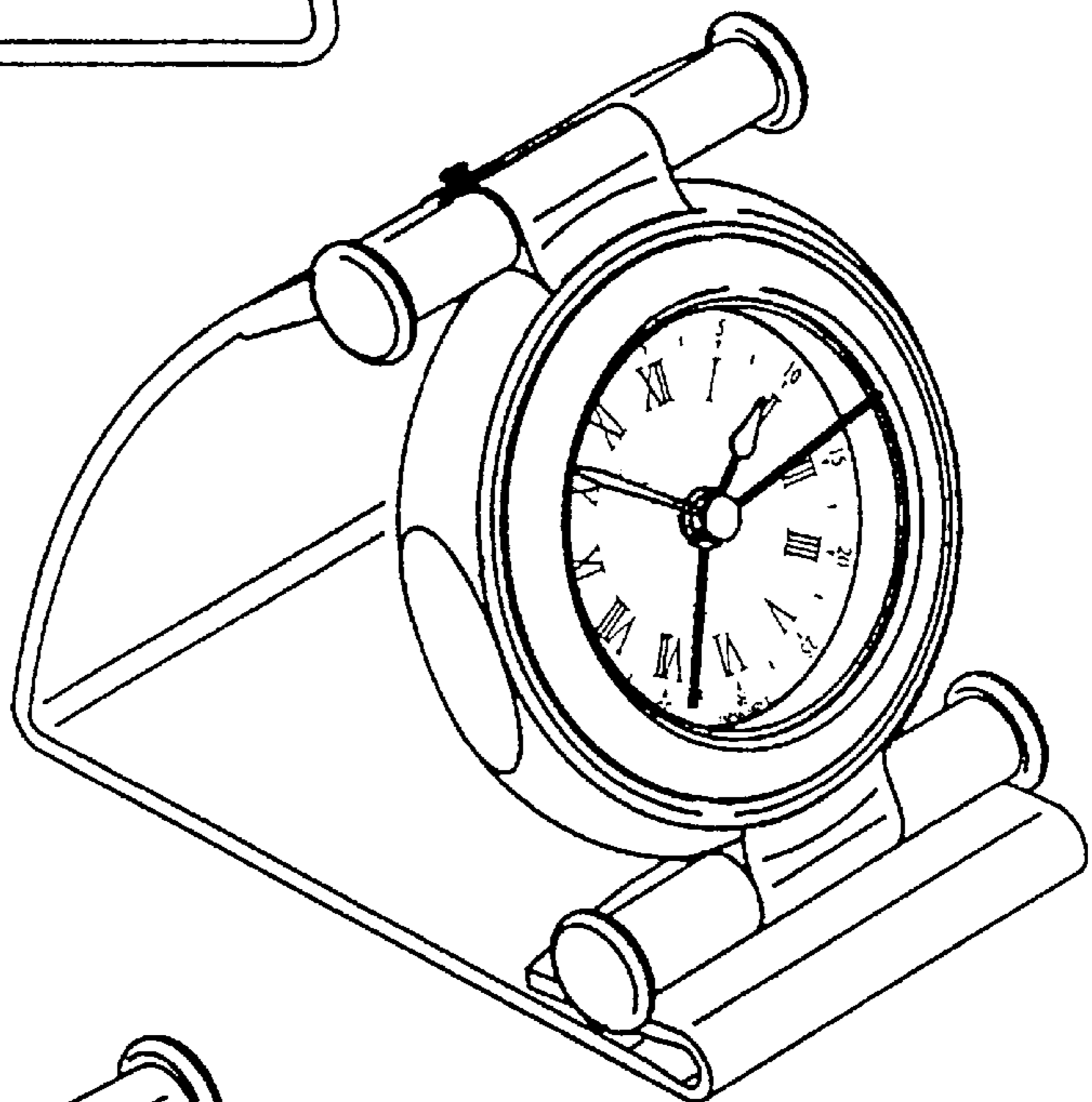


Fig. 22

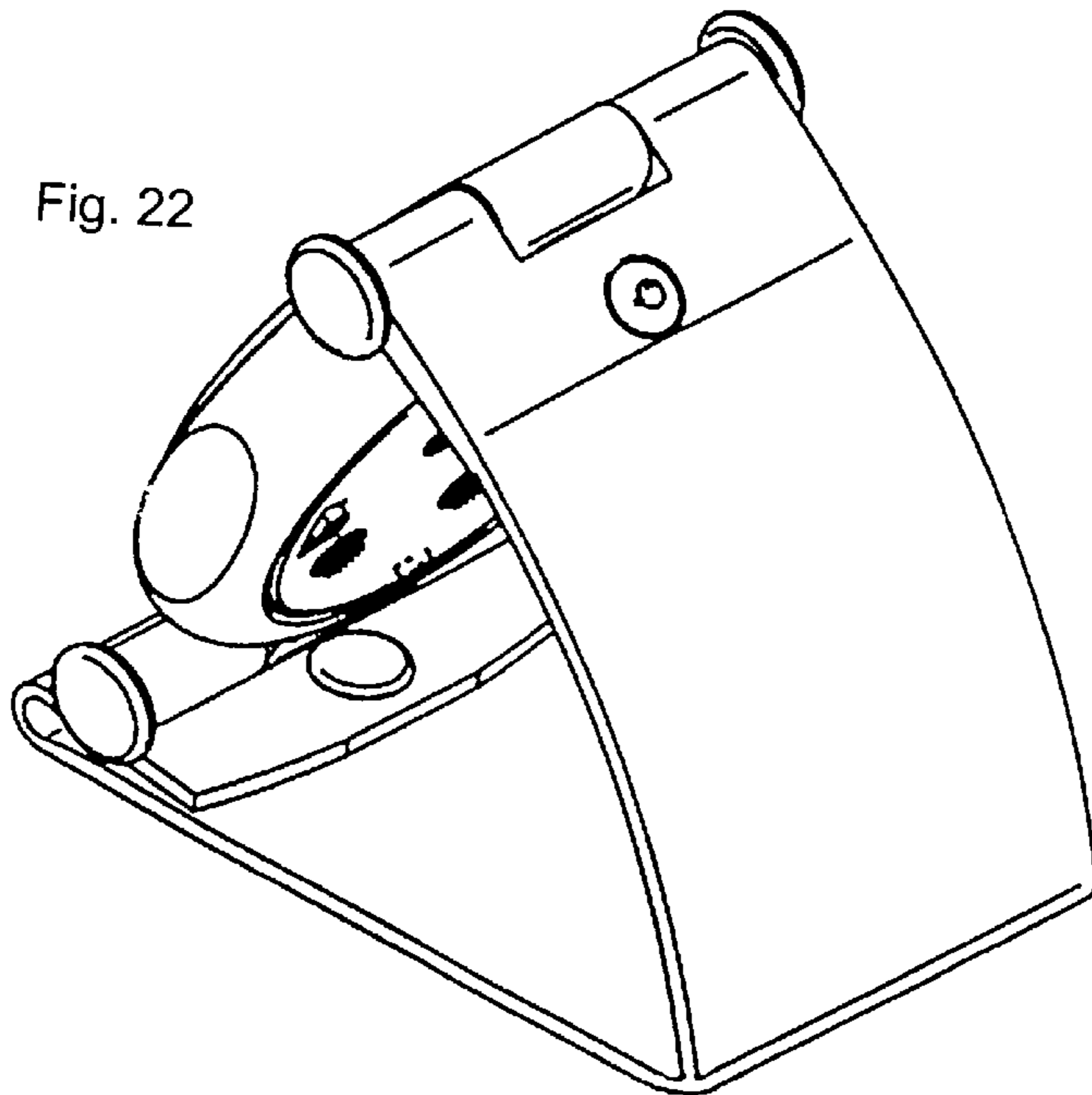


Fig. 23

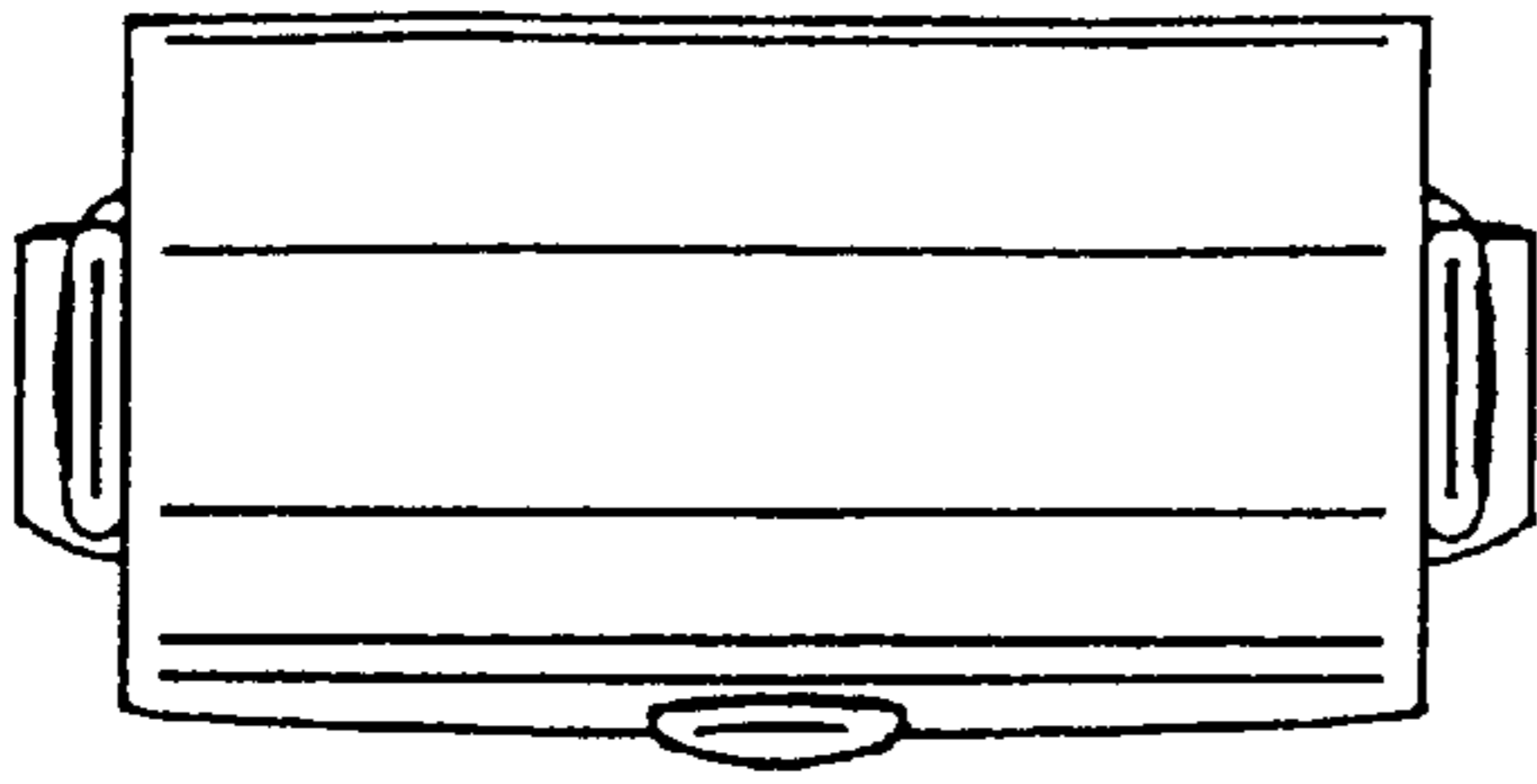


Fig. 24

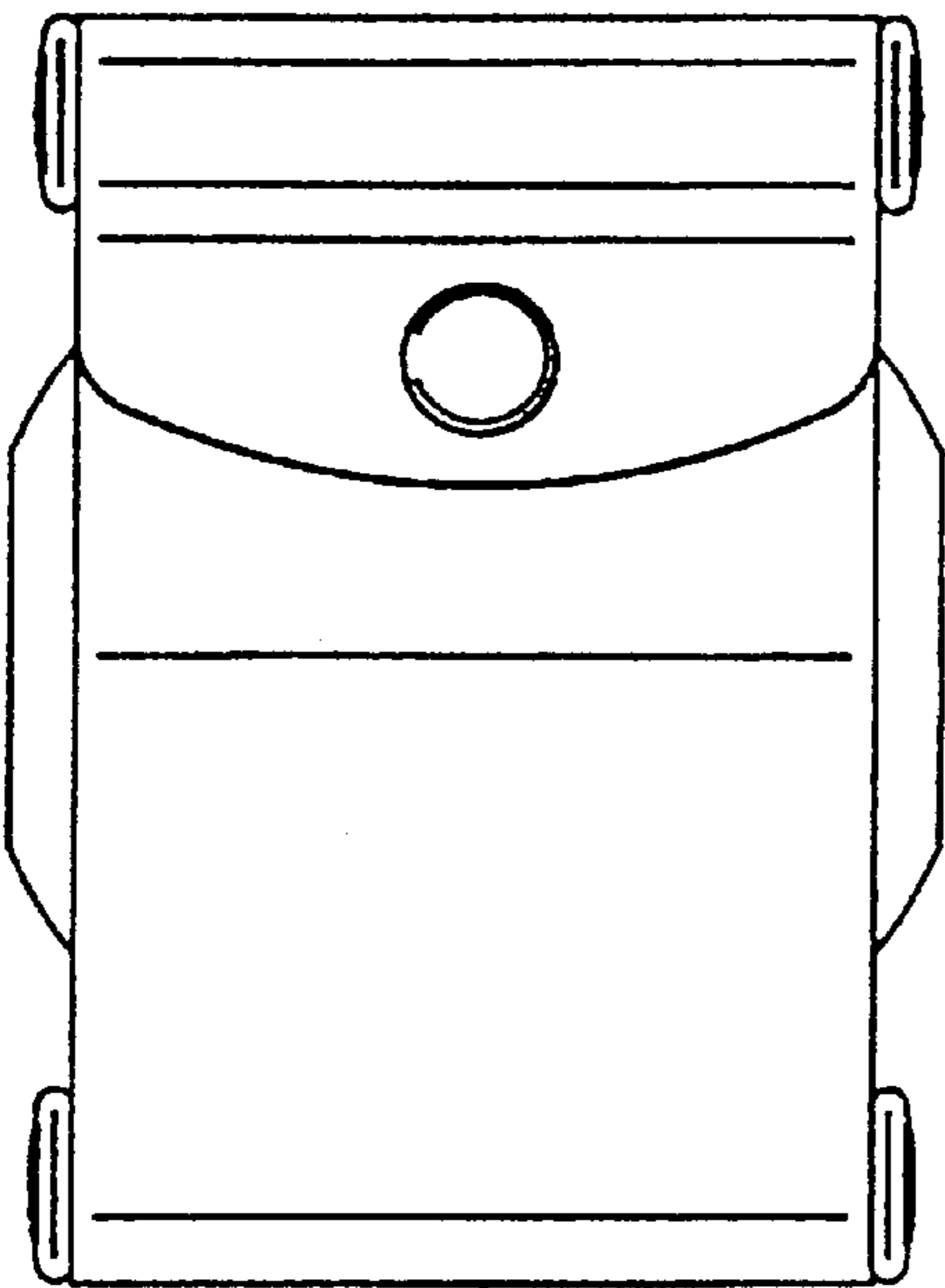


Fig. 25

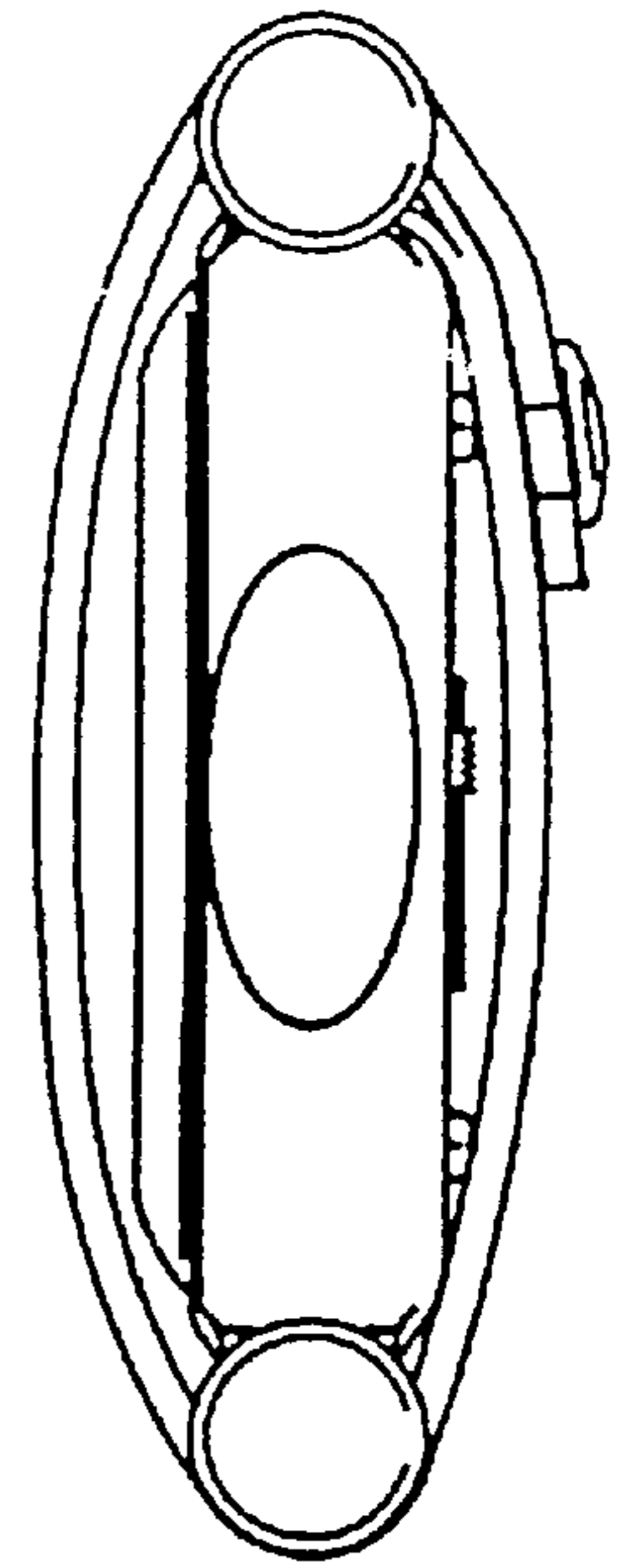
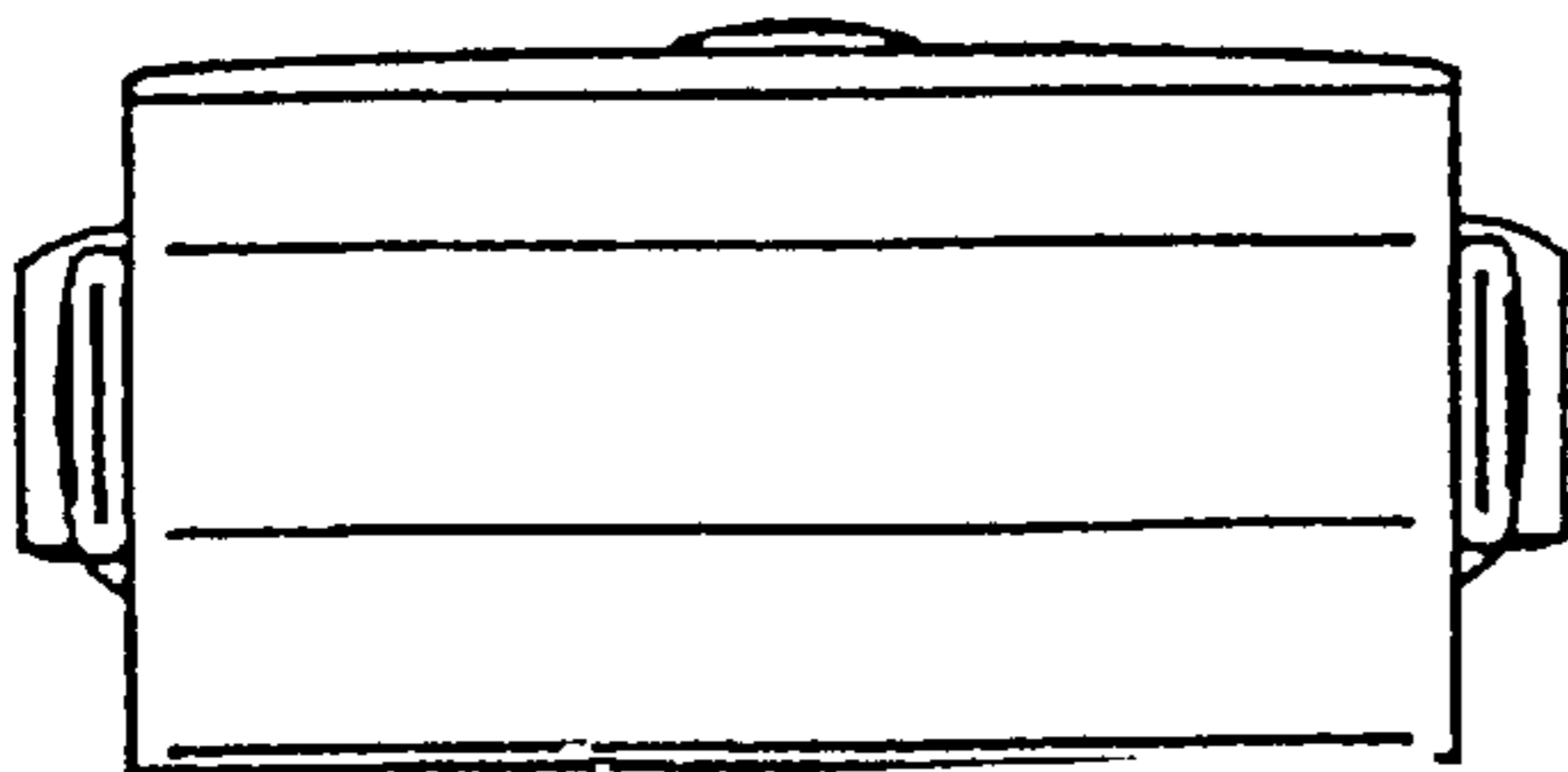


Fig. 26

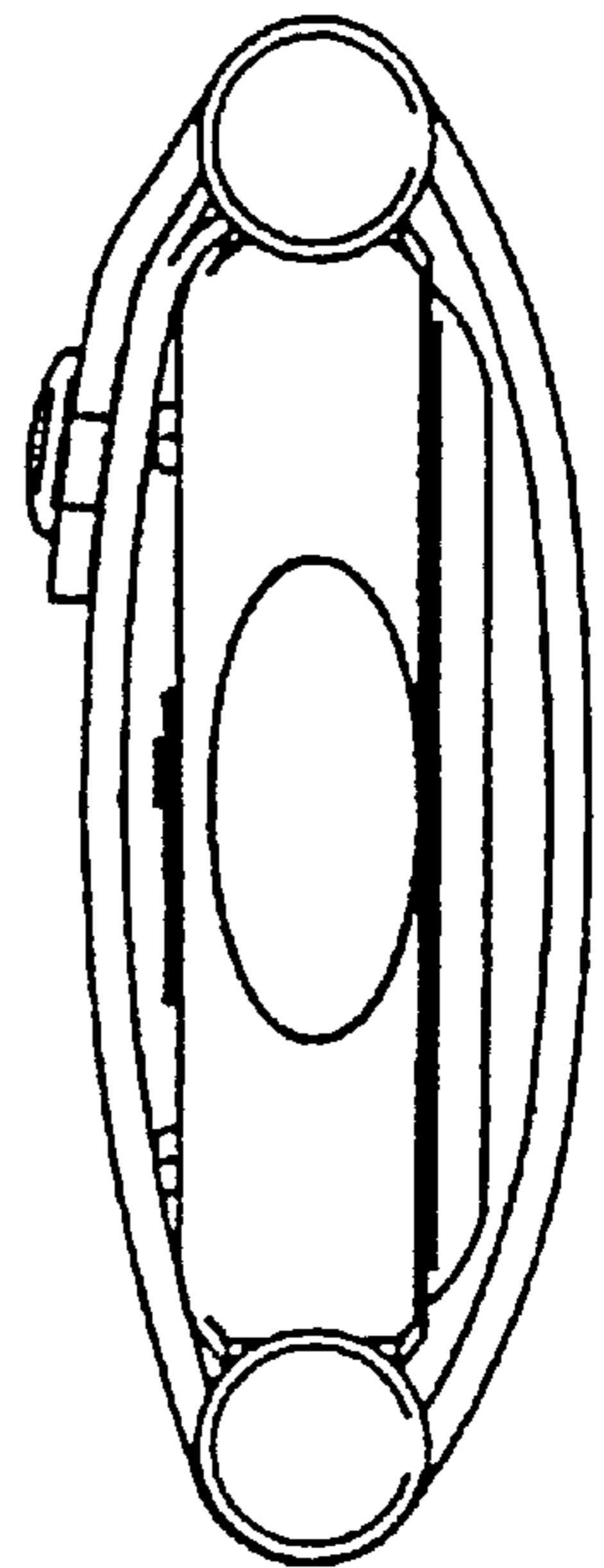


Fig. 27

Fig. 28

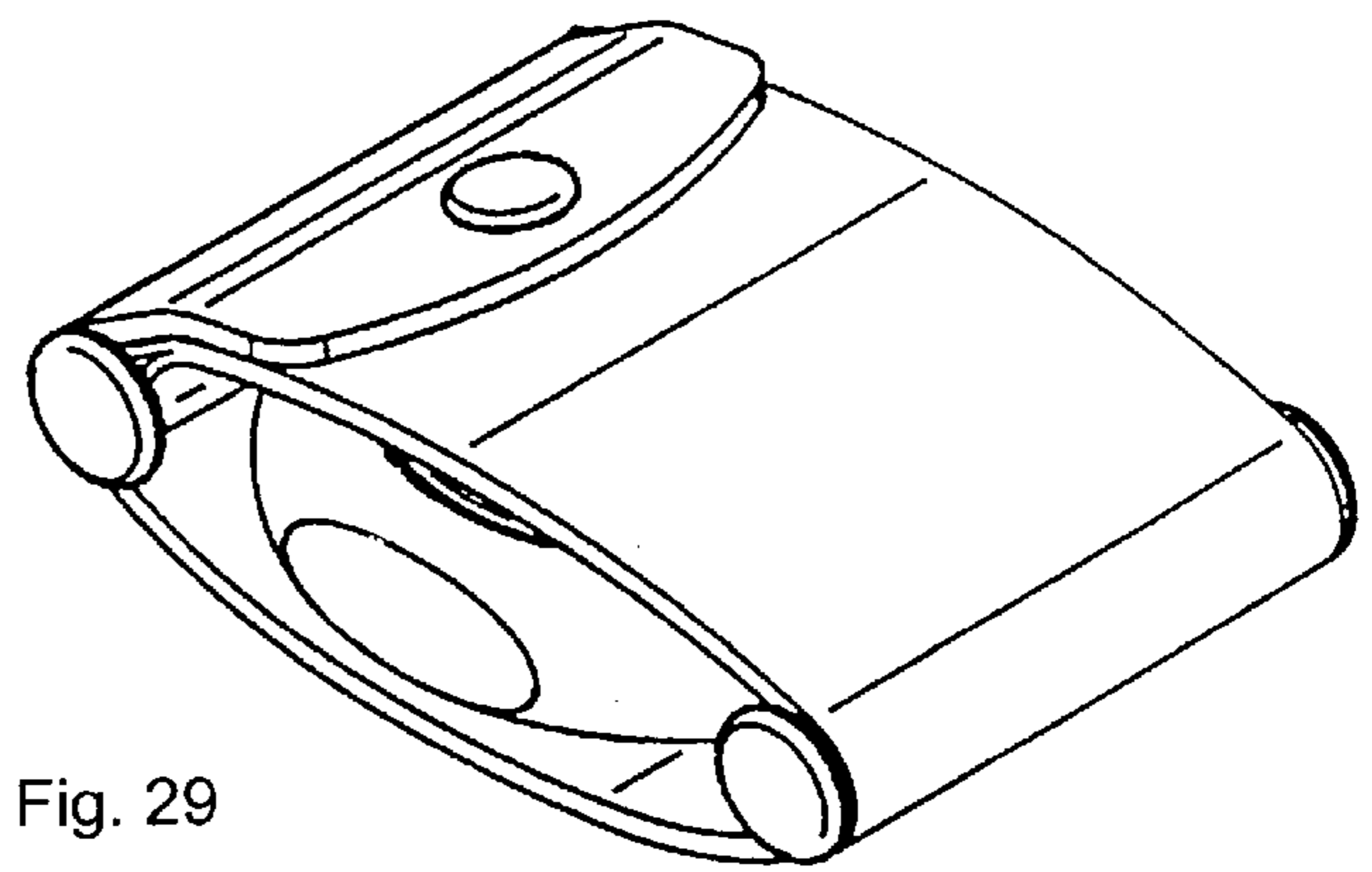
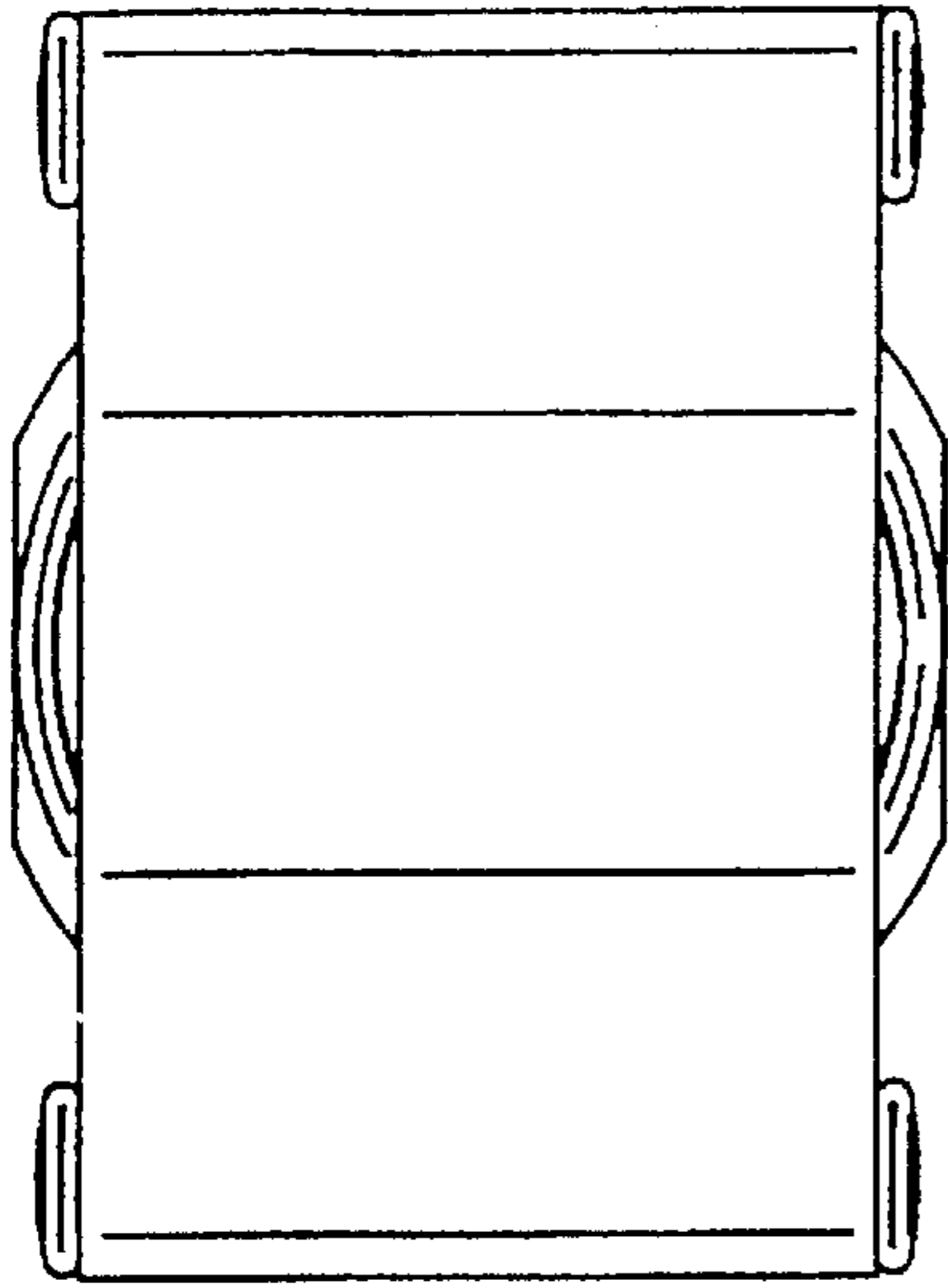


Fig. 29

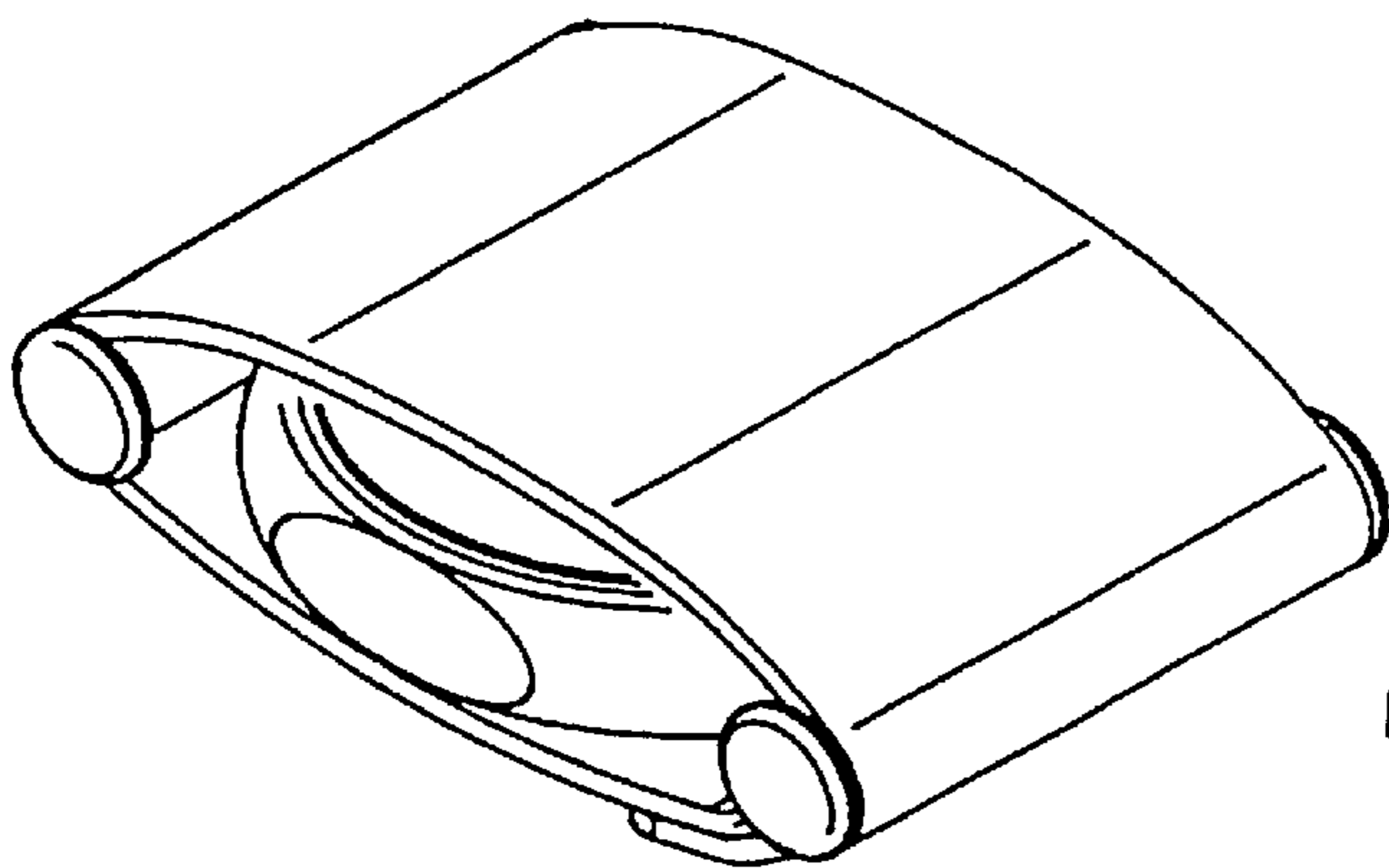


Fig. 30