



US00D434980S

United States Patent [19]
Suzuki

[11] **Patent Number: Des. 434,980**
[45] **Date of Patent: ** Dec. 12, 2000**

[54] **CASE FOR A REMOTELY CONTROLLED TOY VEHICLE**

[75] Inventor: **Masaki Suzuki**, Tokyo, Japan

[73] Assignee: **Taiyo Kogyo Company, Ltd.**, Tokyo, Japan

[**] Term: **14 Years**

[21] Appl. No.: **29/123,013**

[22] Filed: **May 8, 2000**

Related U.S. Application Data

[62] Division of application No. 29/093,574, Sep. 14, 1998, Pat. No. Des. 424,431.

[30] **Foreign Application Priority Data**

Mar. 17, 1998 [JP] Japan 10-7253

[51] **LOC (7) Cl.** **09-07**

[52] **U.S. Cl.** **D9/418; D9/428**

[58] **Field of Search** D9/418, 428, 429, D9/414, 337; D3/201, 254; 206/335, 305, 525, 769, 770, 775, 776; 220/505, 616, 630, 62.11, 629, 626, 627, 682, 918; 446/73, 75; 229/162; D21/324, 332, 333, 533, 598, 549; 463/1, 29, 46, 47

[56] **References Cited**

U.S. PATENT DOCUMENTS

- D. 406,757 3/1999 Bean et al. D9/423
- 1,983,322 12/1934 Stewart 206/335
- 2,115,494 4/1938 Lurssen 206/769
- 2,275,542 3/1942 Menges 206/769
- 2,809,331 10/1957 Canty et al. 220/626 X
- 3,474,803 10/1969 Davis 206/335 X
- 4,433,504 2/1984 Terui .
- 4,555,867 12/1985 Hippely .
- 4,792,046 12/1988 Taylor 220/682 X

- 4,905,828 3/1990 Dods .
- 4,914,034 4/1990 Welsh et al. 306/305 X
- 5,000,318 3/1991 Kupersmit 206/335
- 5,094,646 3/1992 Marceau .
- 5,226,558 7/1993 Whitney et al. 220/638 X
- 5,261,848 11/1993 Kaplan et al. .
- 5,350,058 9/1994 Keough .
- 5,547,421 8/1996 Scheetz 206/335 X
- 5,769,680 6/1998 Hoffman .
- 5,871,092 2/1999 Rogers et al. 206/769
- 5,896,996 4/1999 Chuang 206/769

FOREIGN PATENT DOCUMENTS

4-18589 2/1992 Japan .

Primary Examiner—Prabhakar Deshmukh
Attorney, Agent, or Firm—Akin, Gump, Strauss, Hauer & Feld, L.L.P.

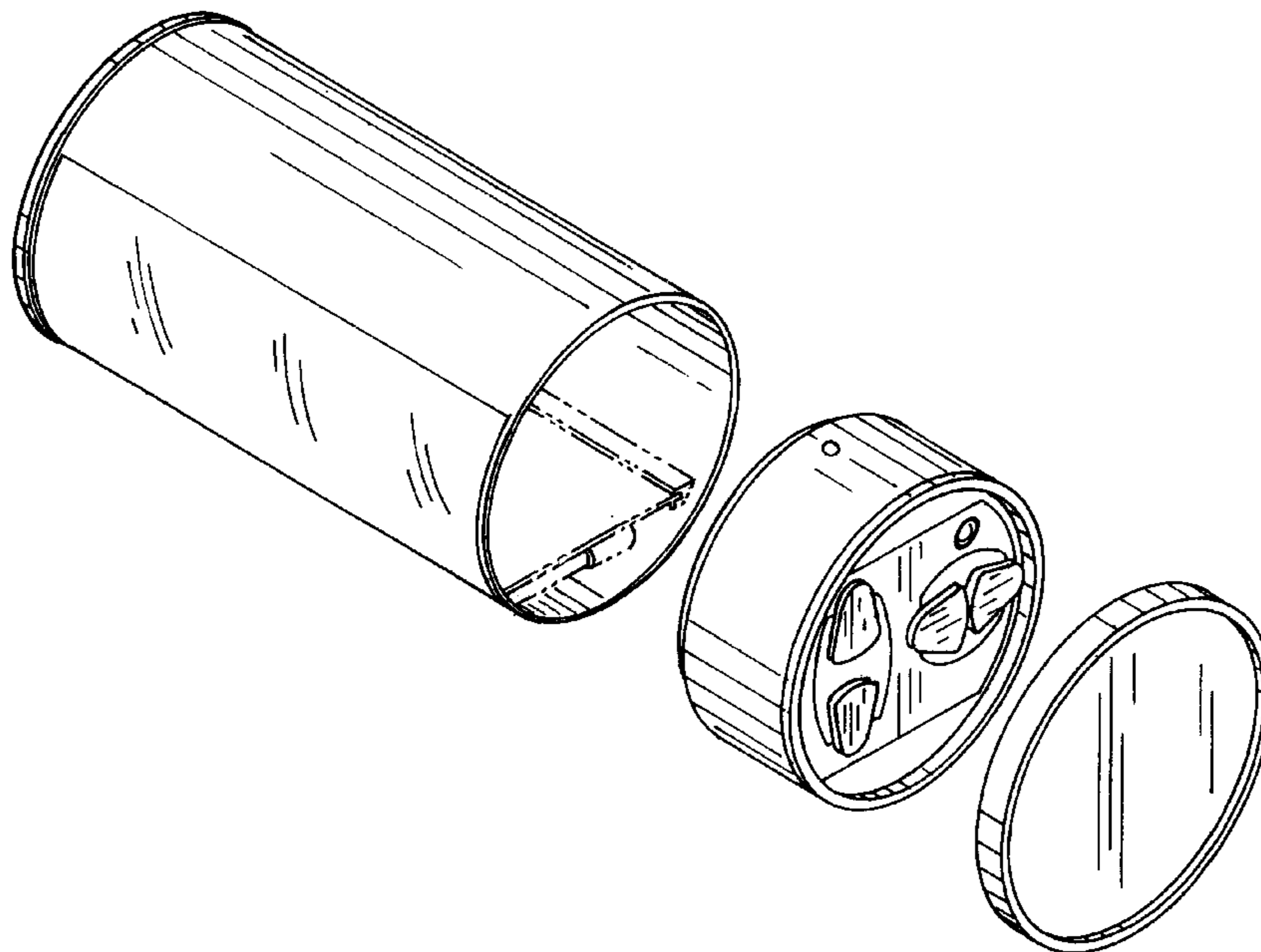
[57] **CLAIM**

The ornamental design for a case for a remotely controlled toy vehicle, as shown and described.

DESCRIPTION

FIG. 1 is a top plan view of a case for a remotely controlled toy vehicle in accordance with my new design;
 FIG. 2 is a front elevation view thereof;
 FIG. 3 is a bottom plan view thereof;
 FIG. 4 is a rear elevation view thereof;
 FIG. 5 is a left side elevational view thereof;
 FIG. 6 is a right side elevational view thereof;
 FIG. 7 is a perspective exploded view thereof from the front and right sides showing three parts of the case: outer cap, inner cap and container; and,
 FIG. 8 is a right side elevational view thereof with the outer cap thereof removed to reveal the inner cap thereof in the form of a hand control unit of the toy vehicle.
 The broken line showing of the toy vehicle support plate is for illustrative purpose only and forms no part of the claimed design.

1 Claim, 3 Drawing Sheets



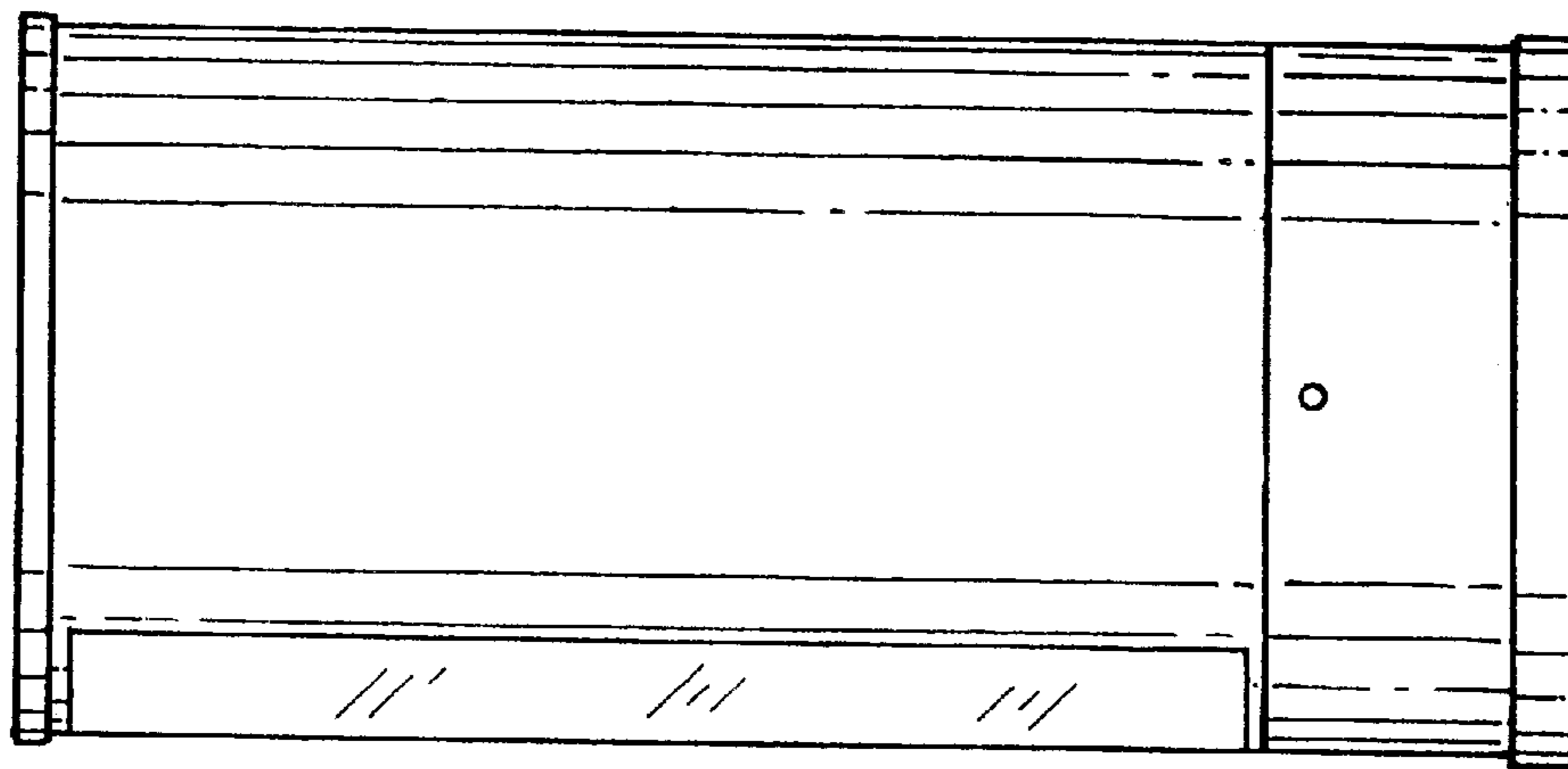


Fig. 1

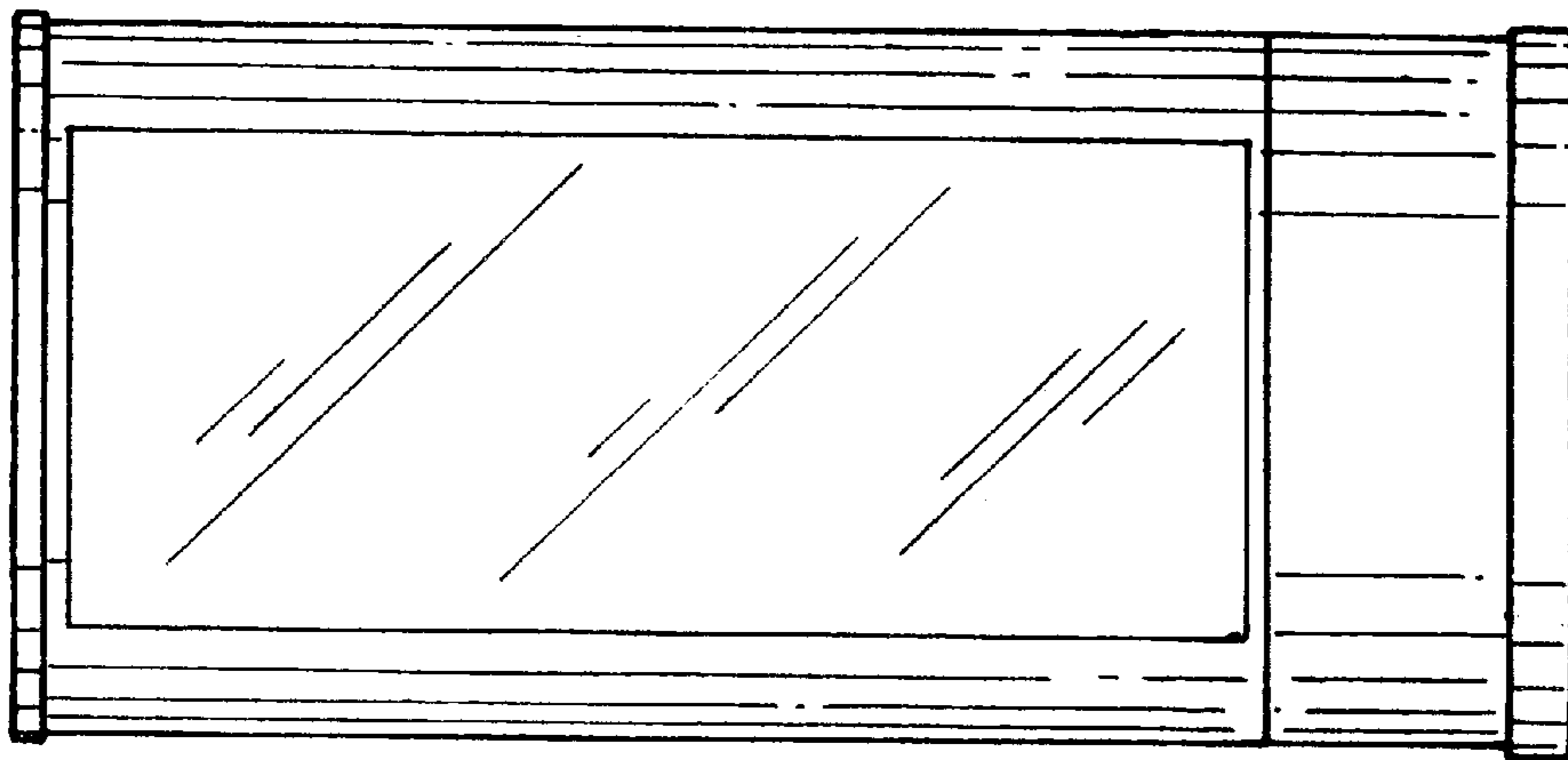


Fig. 2

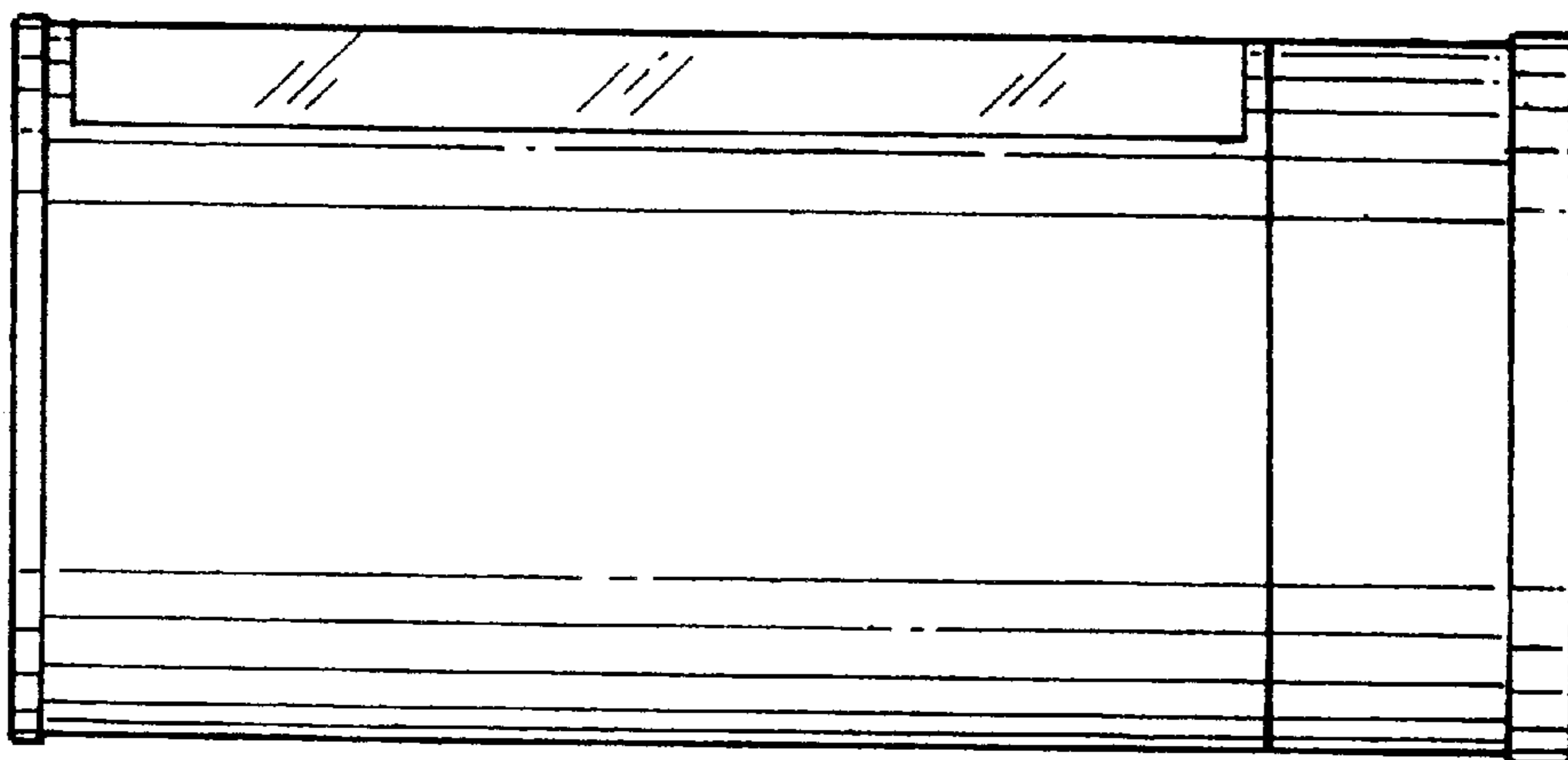


Fig. 3

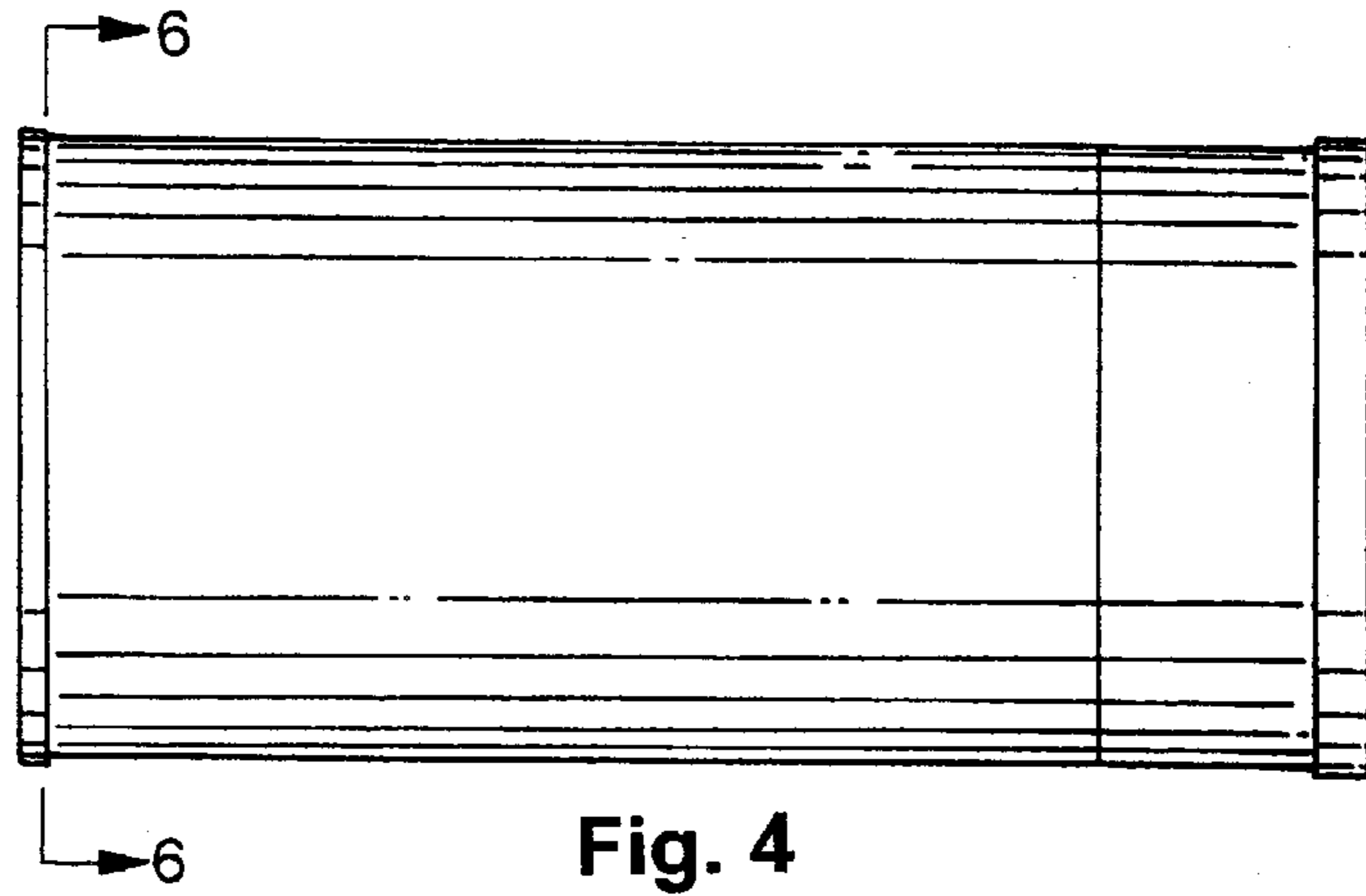


Fig. 4

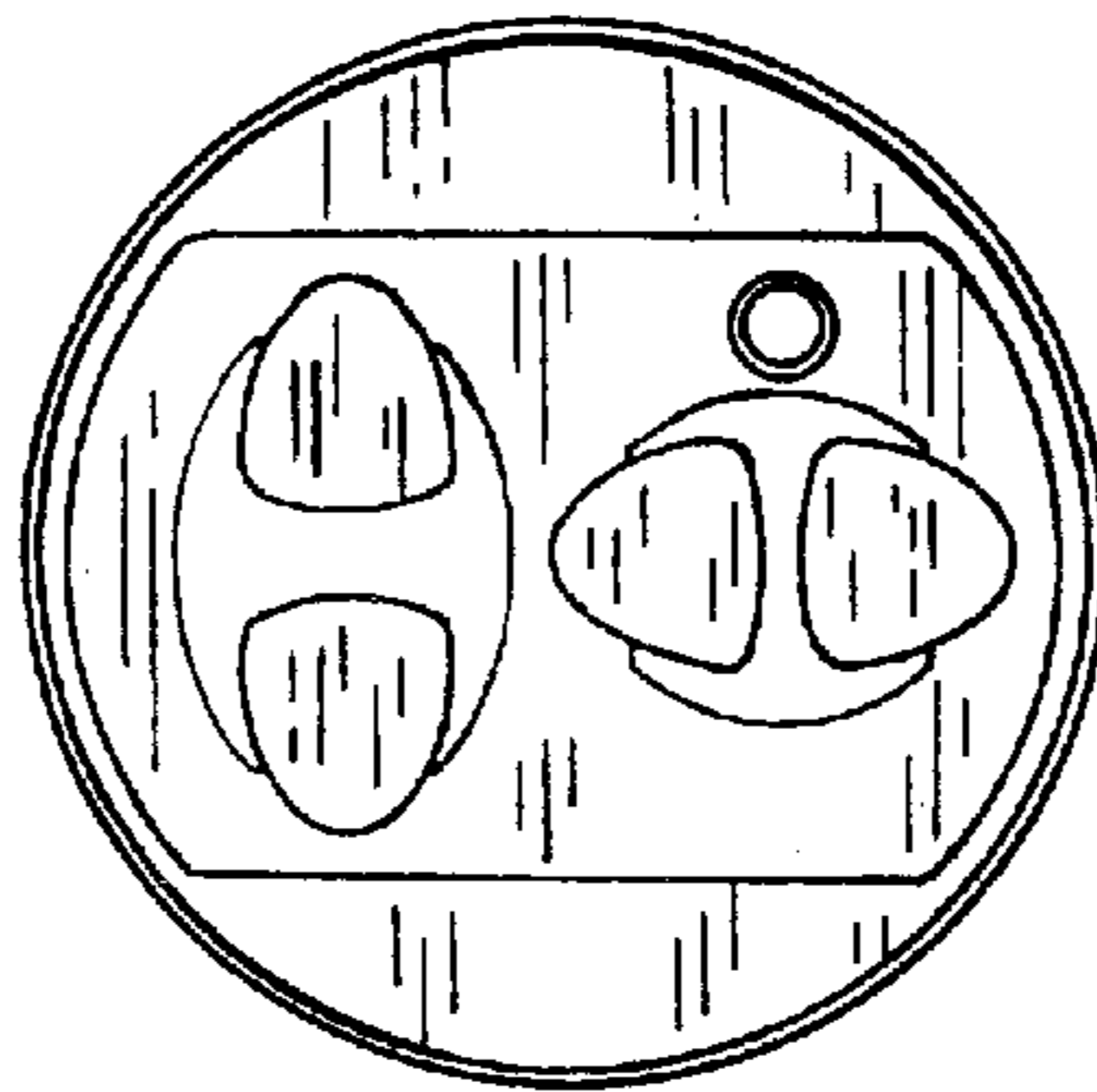


Fig. 8

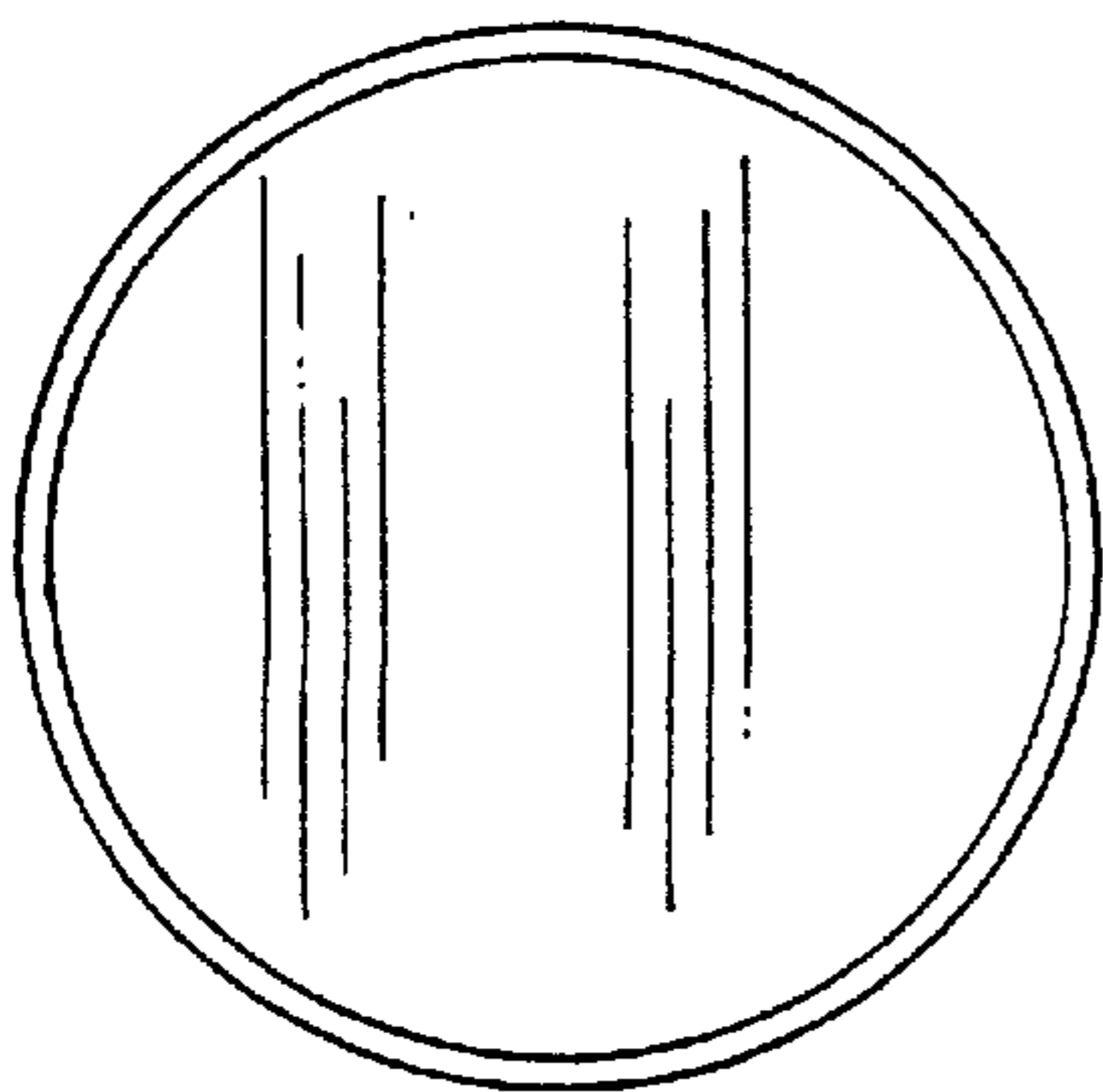


Fig. 5

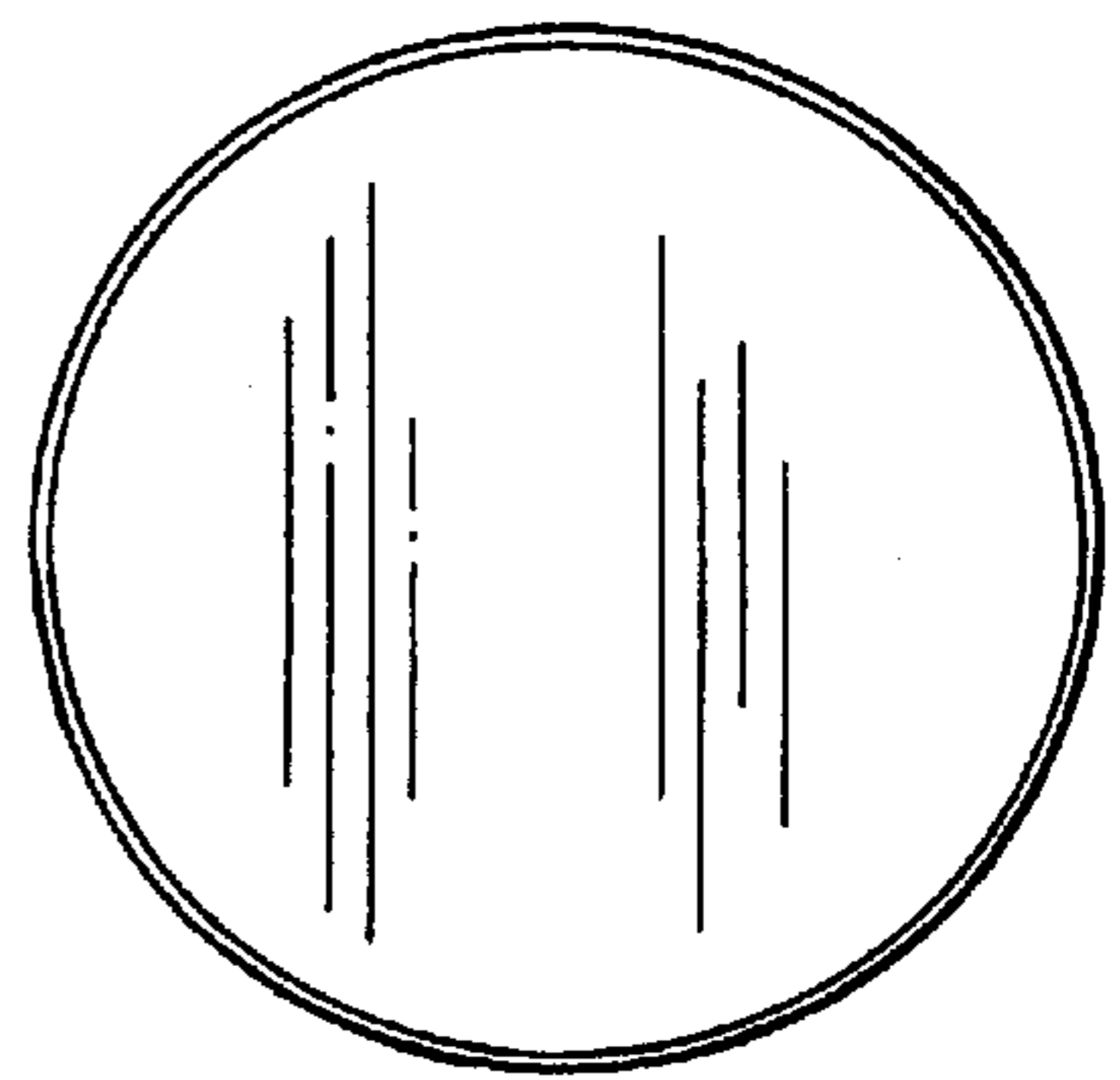


Fig. 6

