



US00D434978S

United States Patent [19] Thill

[11] **Patent Number: Des. 434,978**

[45] **Date of Patent: ** Dec. 12, 2000**

[54] **NOVELTY CONTAINER**

[75] Inventor: **Gerald D. Thill**, Minneapolis, Minn.

[73] Assignee: **The Paper Magic Group, Inc.**,
Wilmington, Del.

[**] Term: **14 Years**

[21] Appl. No.: **29/088,285**

[22] Filed: **May 20, 1998**

[51] **LOC (7) Cl.** **09-05**

[52] **U.S. Cl.** **D9/307**

[58] **Field of Search** D9/307; 206/457

[56] **References Cited**

U.S. PATENT DOCUMENTS

3,741,379 6/1973 Kappleer et al. 206/457
3,924,736 12/1975 Bell et al. 206/457

OTHER PUBLICATIONS

Oriental Trading Co. Inc. Catalog No. 72; p. 24; No5/912
Hollow Egg container, Jan. 1992.

Primary Examiner—Dominic Simone

Attorney, Agent, or Firm—Charles N. Quinn

[57] **CLAIM**

The ornamental design for a novelty container, as shown and described.

DESCRIPTION

FIG. 1 is a front elevational view of a novelty container showing my new design, the rear, right and left sides being identical;

FIG. 2 is a front elevational view of a second embodiment of FIG. 1, the difference residing in the appearance of the exterior surface finish;

FIG. 3 is an exploded view of FIG. 1;

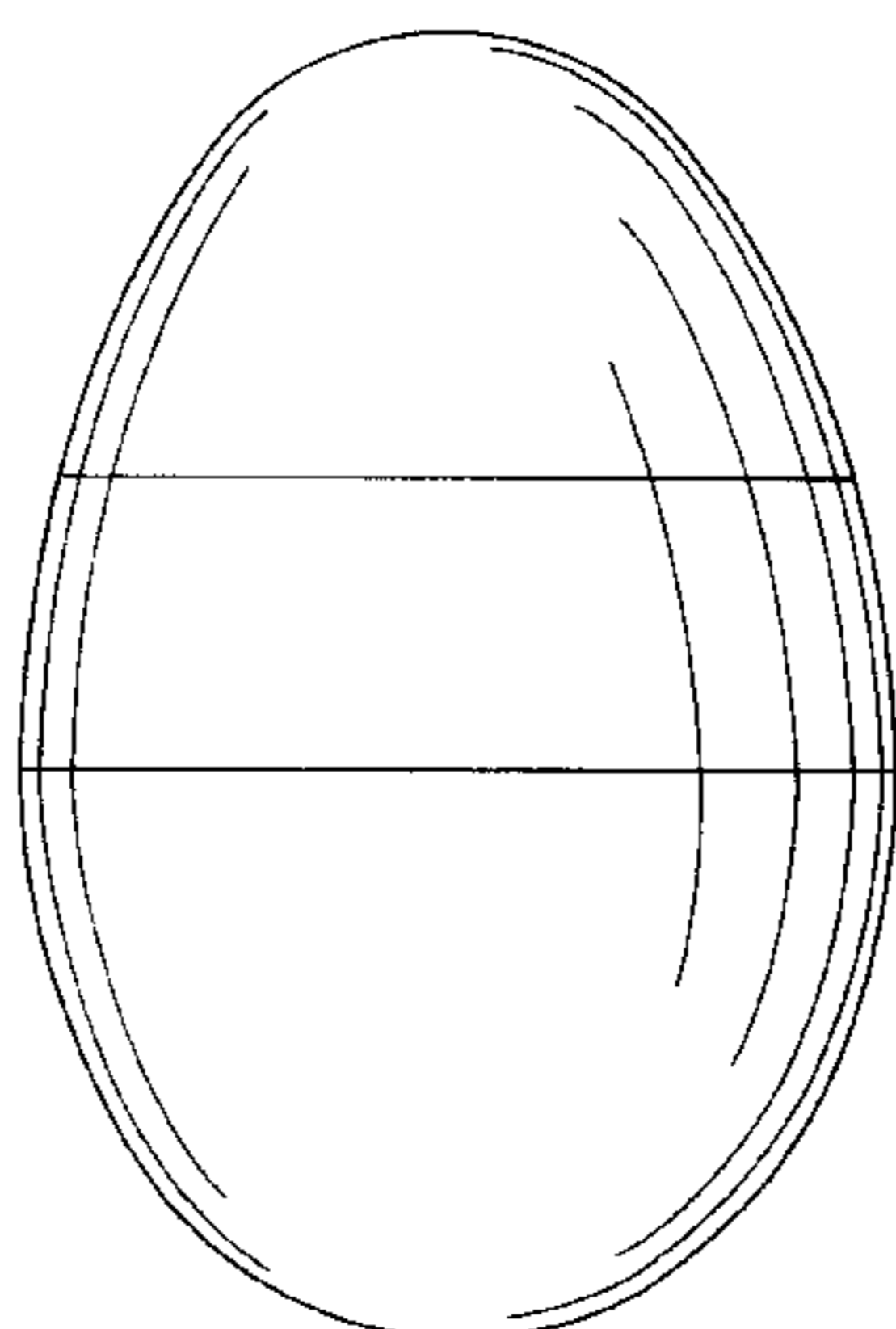
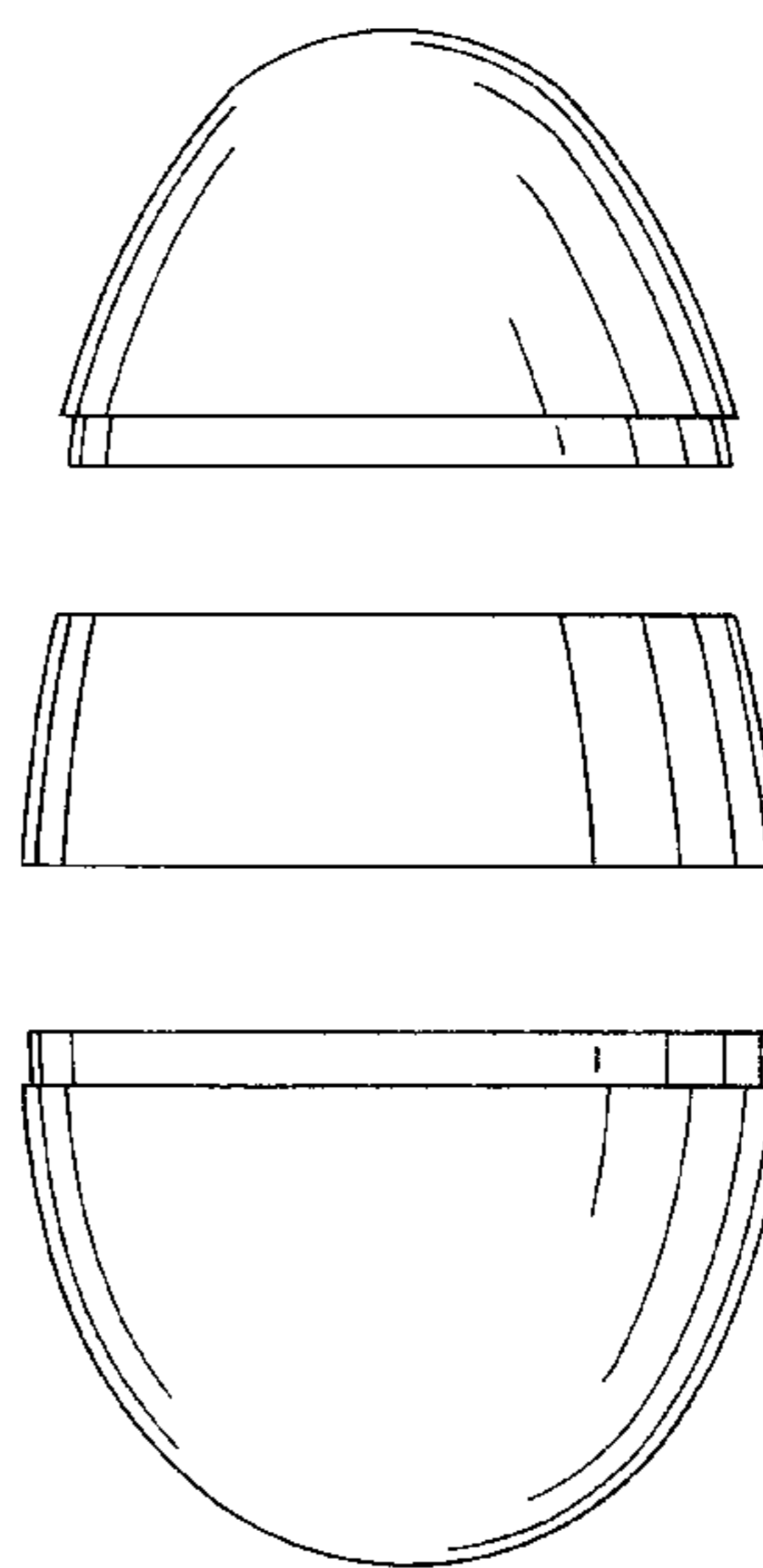
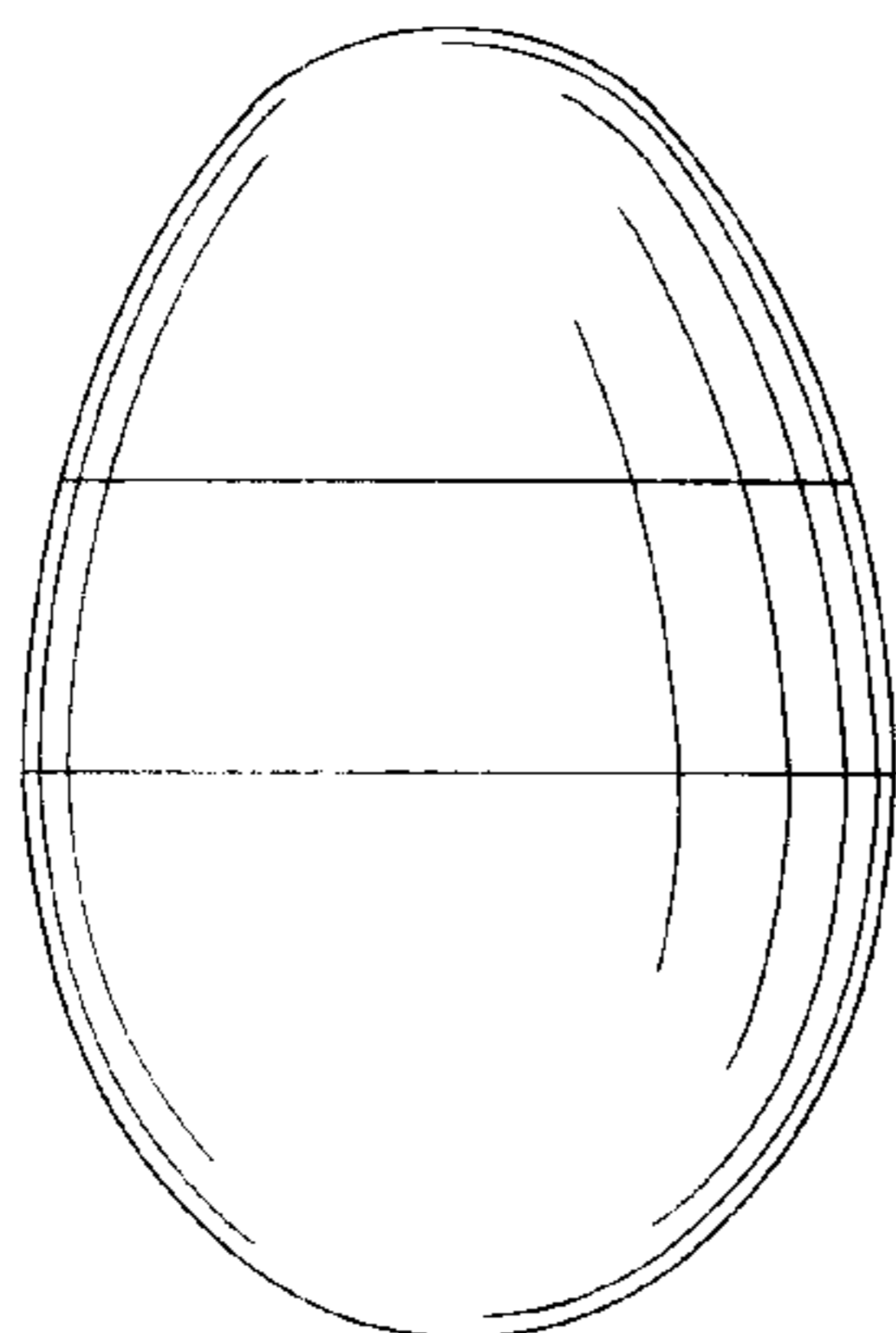
FIG. 4 is a top plan view of FIG. 1; and,

FIG. 5 is a bottom plan view of FIG. 1.

The novelty container has the identical appearance from the front, rear and left and right sides.

The embodiments illustrated in FIGS. 1 and 2 differ only in the appearance of the exterior surface finishes of the component parts; the shapes of the two embodiments are identical.

1 Claim, 2 Drawing Sheets



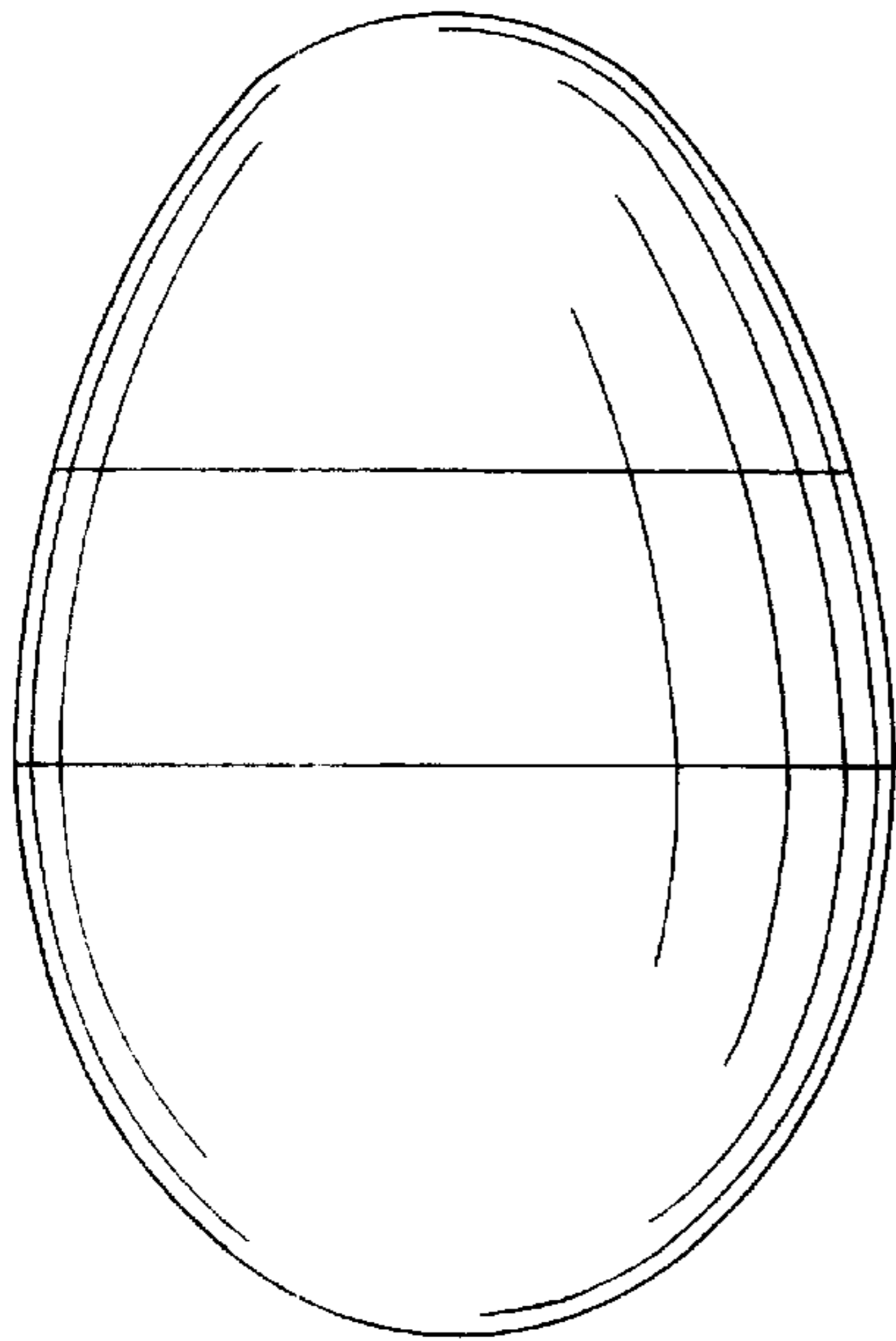


FIG. 1

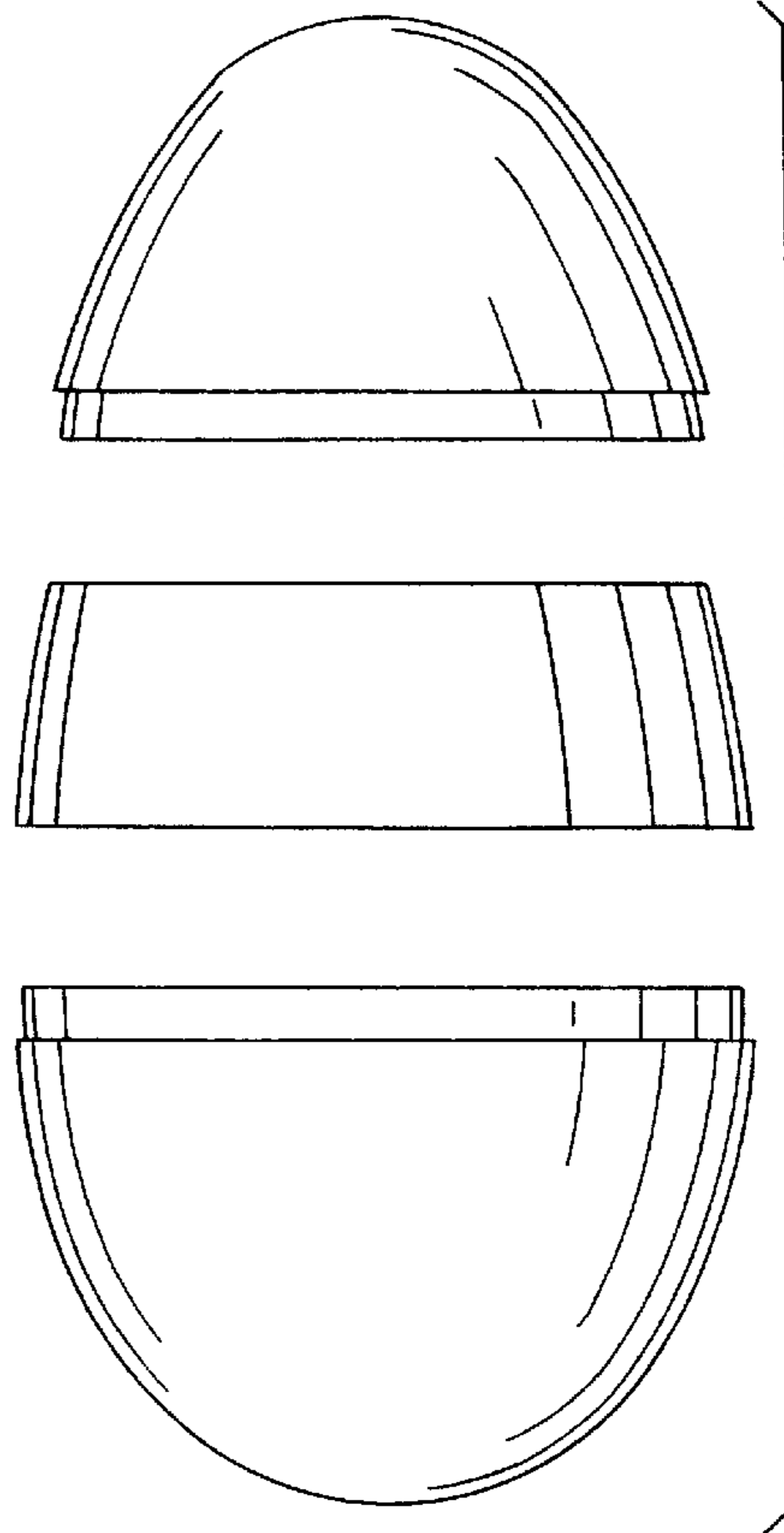


FIG. 3

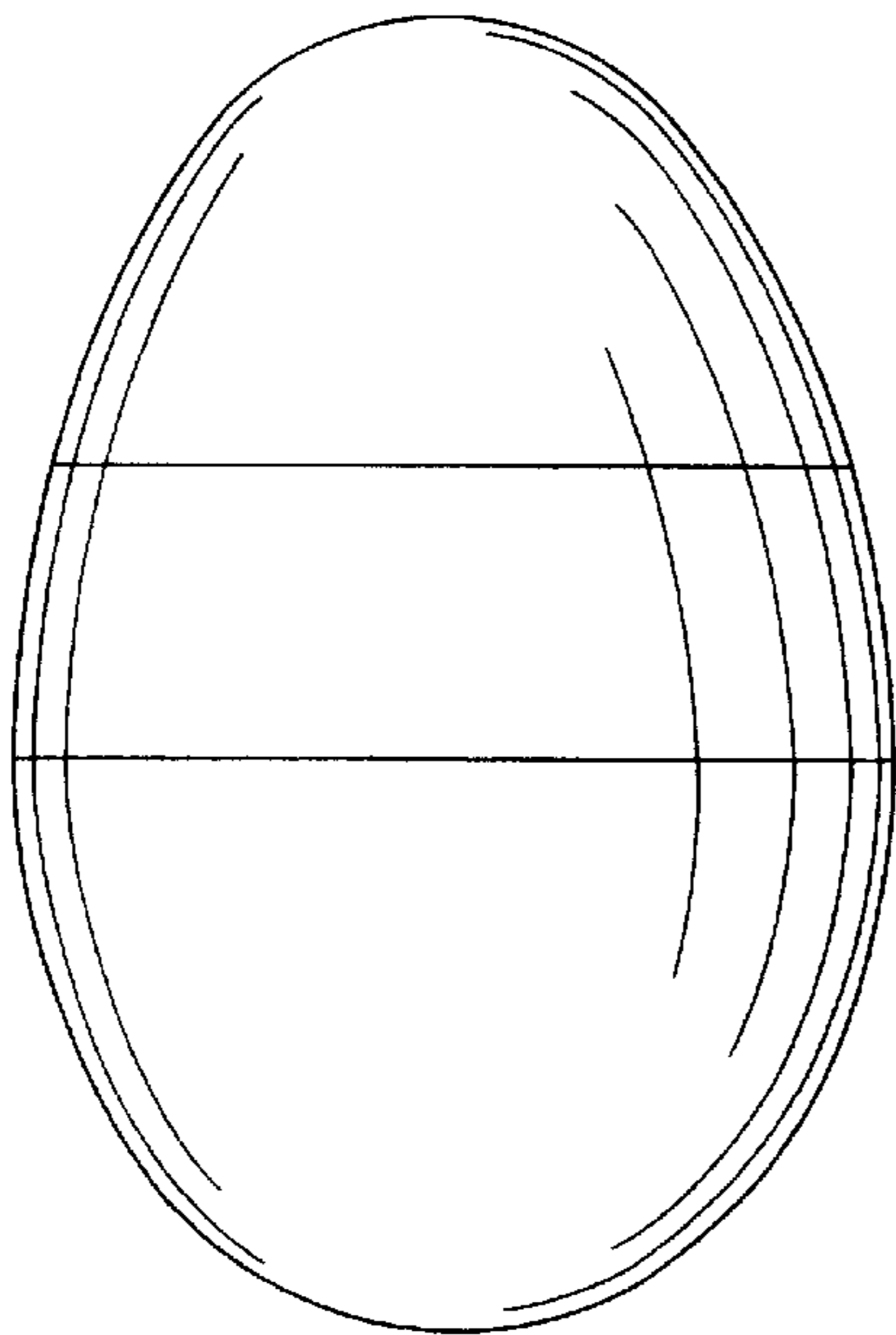


FIG. 2

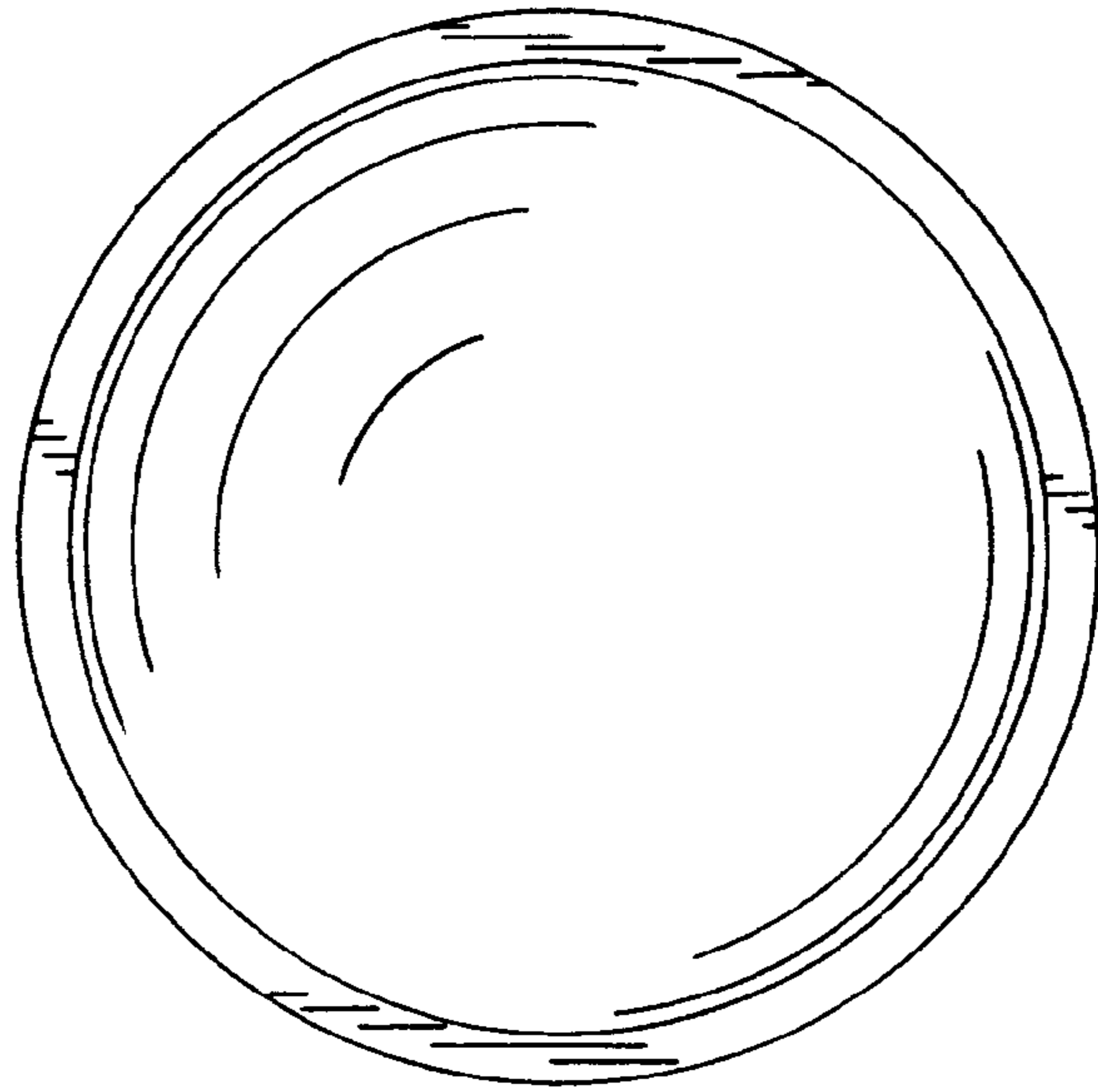


FIG. 4

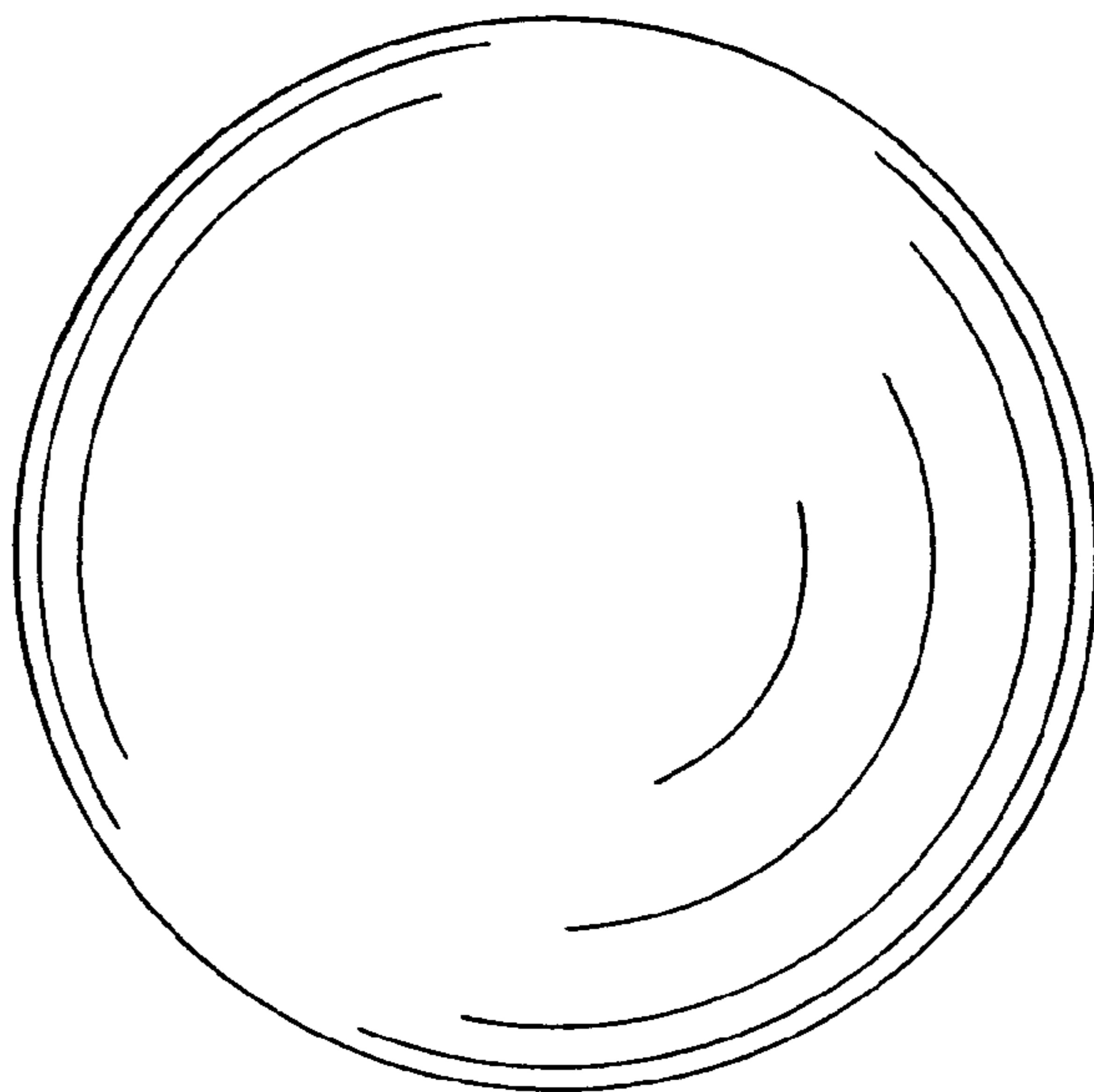


FIG. 5