



US00D434975S

United States Patent [19]
Risch

[11] **Patent Number: Des. 434,975**

[45] **Date of Patent: ** Dec. 12, 2000**

[54] **REFILLABLE REUSABLE LIQUID SOAP TO FOAM DISPENSER**

DESCRIPTION

[75] Inventor: **Thomas M. Risch**, Weston, Conn.

[73] Assignee: **Liquid Motion, Inc.**, Bethel, Conn.

[**] Term: **14 Years**

[21] Appl. No.: **29/113,193**

[22] Filed: **Nov. 1, 1999**

[51] **LOC (7) Cl.** **09-01**

[52] **U.S. Cl.** **D9/301**

[58] **Field of Search** D9/300, 301, 447,
D9/448, 449, 554, 567; 222/153.1-153.4,
321.1, 321.6, 321.7, 321.8, 321.9, 402.13

[56] **References Cited**

U.S. PATENT DOCUMENTS

D. 211,510	6/1968	Kieffert	D9/554 X
D. 295,021	4/1988	Logsdon	D9/567 X
D. 329,592	9/1992	Crawford	D9/301
D. 333,434	2/1993	Sosenke	D9/554 X
D. 413,794	9/1999	Sawicki	D9/301
D. 420,592	2/2000	Bretz	D9/554 X
4,813,556	3/1989	Lawrence	383/907 X

OTHER PUBLICATIONS

Aerosol Age, L'Fina Aerosol Bottle, p. 21, Feb. 1989.

Sears Holiday Fragrances and Cosmetics Gifts Catalog, Lasting Perfume Bottle, p. 8, Dec. 1995.

Primary Examiner—Cathron B. Matta

Attorney, Agent, or Firm—David P. Gordon; David S. Jacobson; Thomas A. Gallagher

[57] **CLAIM**

The ornamental design for a refillable reusable liquid soap to foam dispenser, as shown and described.

FIG. 1 is a front perspective view of a first embodiment of a refillable, reusable, liquid soap to foam dispenser, showing my new design;

FIG. 2 is a top view thereof;

FIG. 3 is a left side elevational view thereof, the right side elevational view being a mirror copy thereof;

FIG. 4 is a rear elevational view thereof;

FIG. 5 is a front elevational view thereof;

FIG. 6 is a bottom view thereof;

FIG. 7 is a left side elevational view of a second embodiment of a refillable, reusable, liquid soap to foam dispenser, showing my new design, with FIG. 7 stippled and lined to show contrasting colors, and with the remainder of the views being identical to the first embodiment except for the coloration;

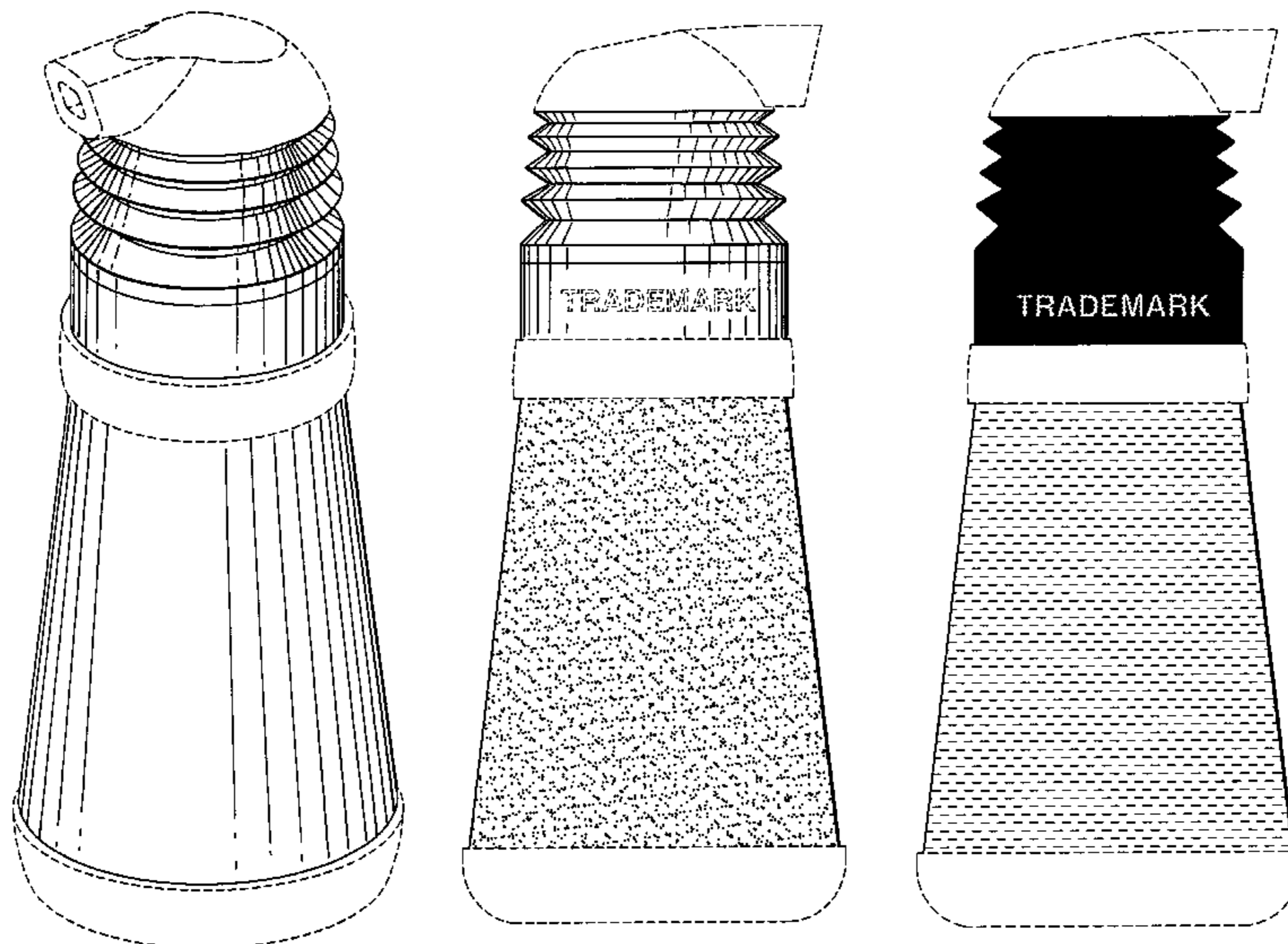
FIG. 8 is a left side elevational view of a third embodiment of a refillable, reusable, liquid soap to foam dispenser, showing my new design, with FIG. 8 lined to show two preferred colors, and with the remainder of the views being identical to the first embodiment except for the coloration;

FIG. 9 is a front perspective view of the second embodiment of my design with an adult hand indicated in broken lines shown just prior to actuating the liquid soap to foam dispenser; and,

FIG. 10 is a front perspective view of the second embodiment of my design with an adult hand indicated in broken lines shown during actuation of the liquid soap to foam dispenser.

The broken line showing of portions of the dispenser and a hand are for illustrative purposes only and form no part of the claimed design. The broken line showing of the word "trademark" is for illustrative purposes only, is generic for any word or words in the indicated location, and forms no part of the claimed design.

1 Claim, 8 Drawing Sheets



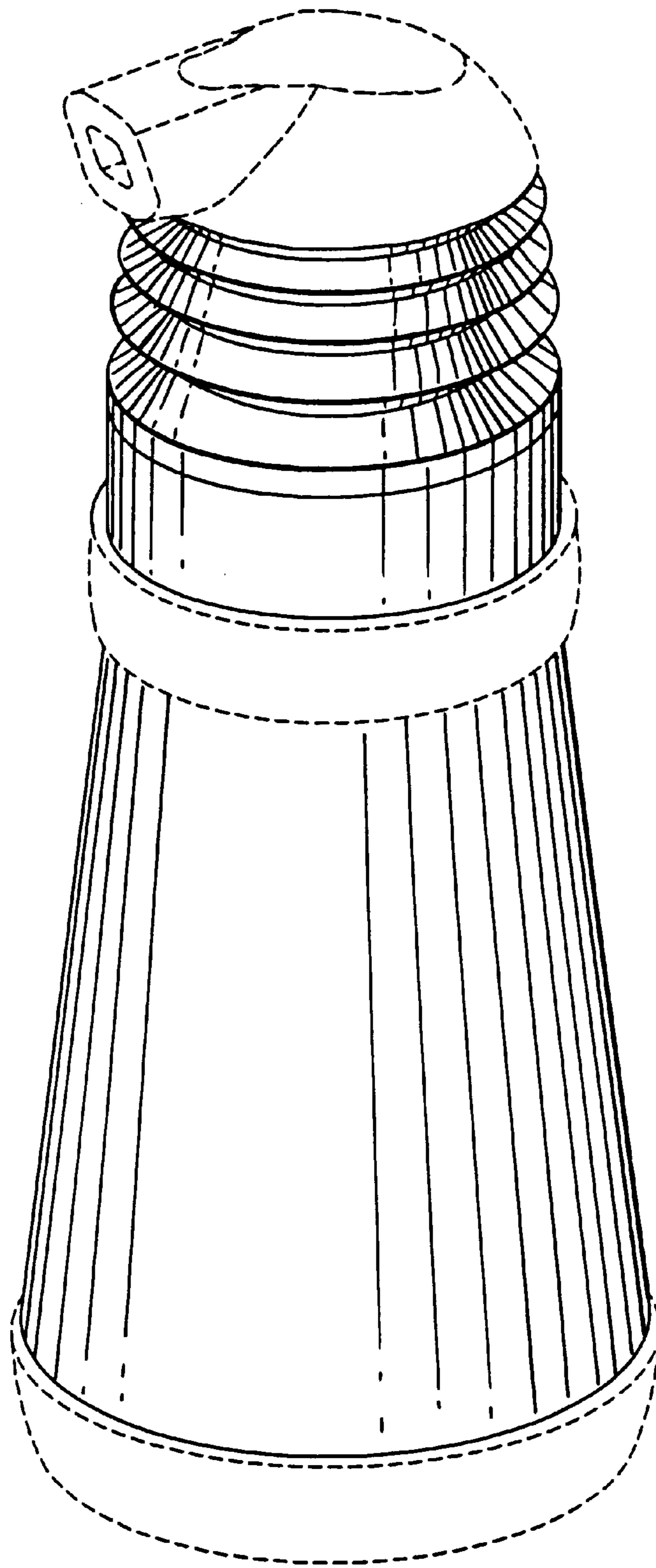


FIG. 1

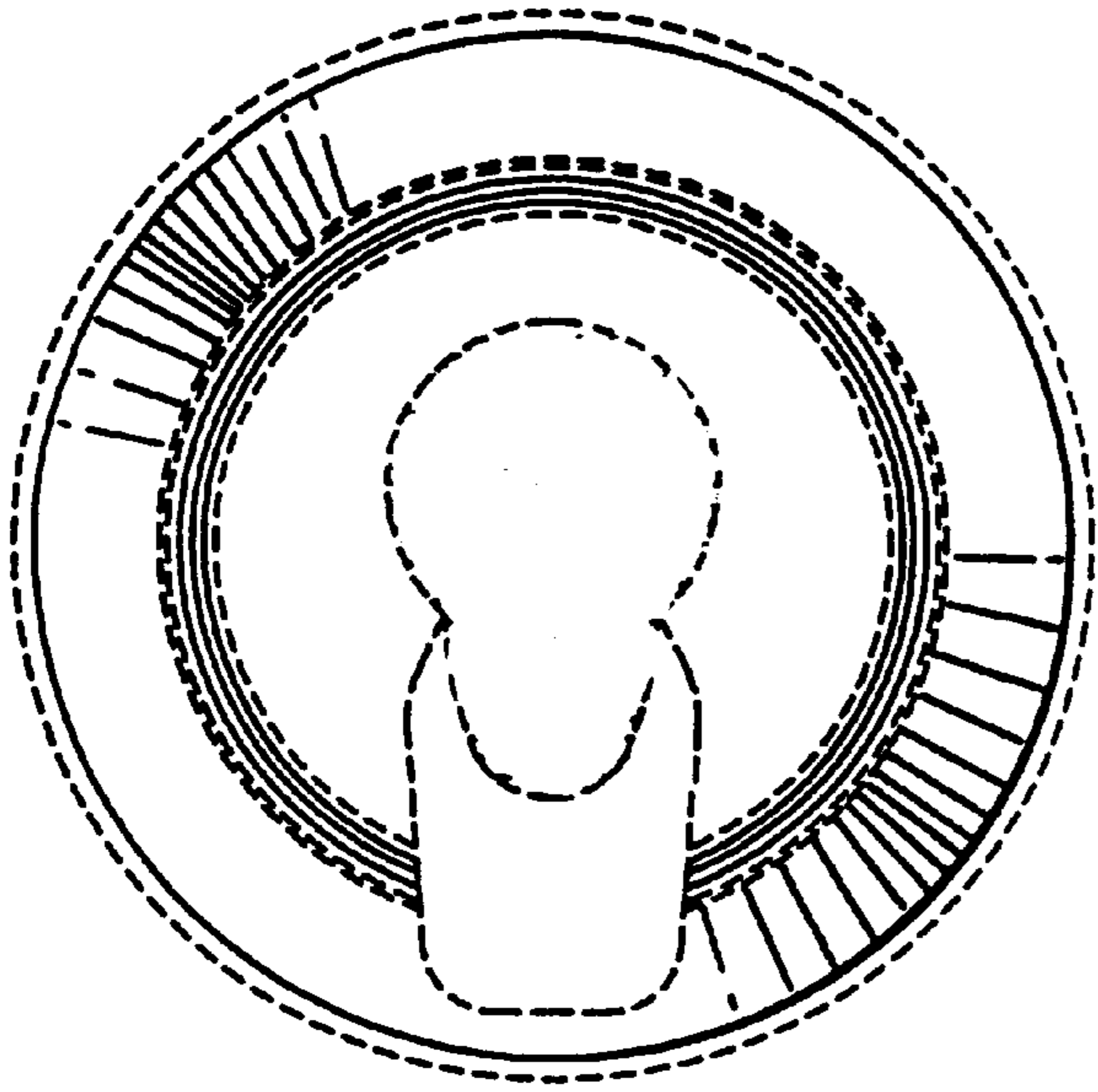


FIG. 2

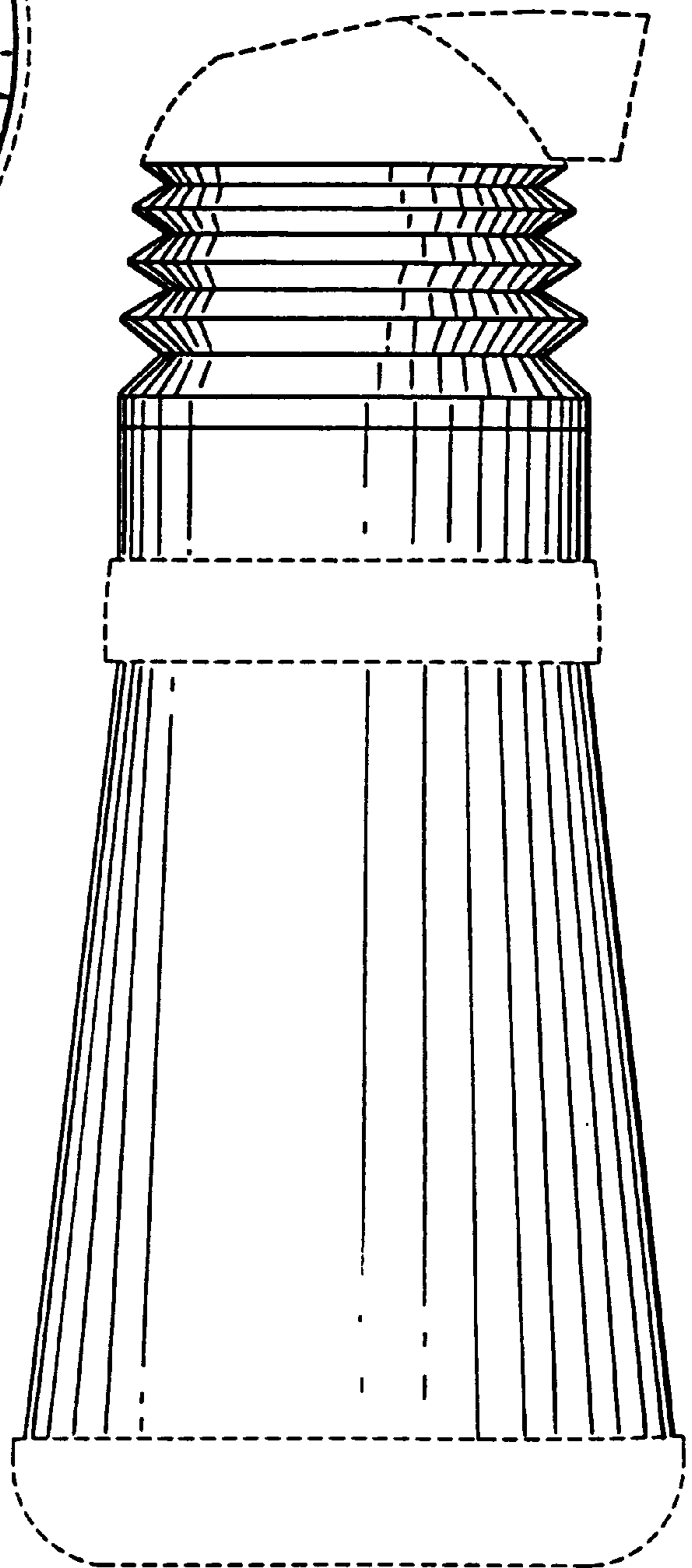


FIG. 3

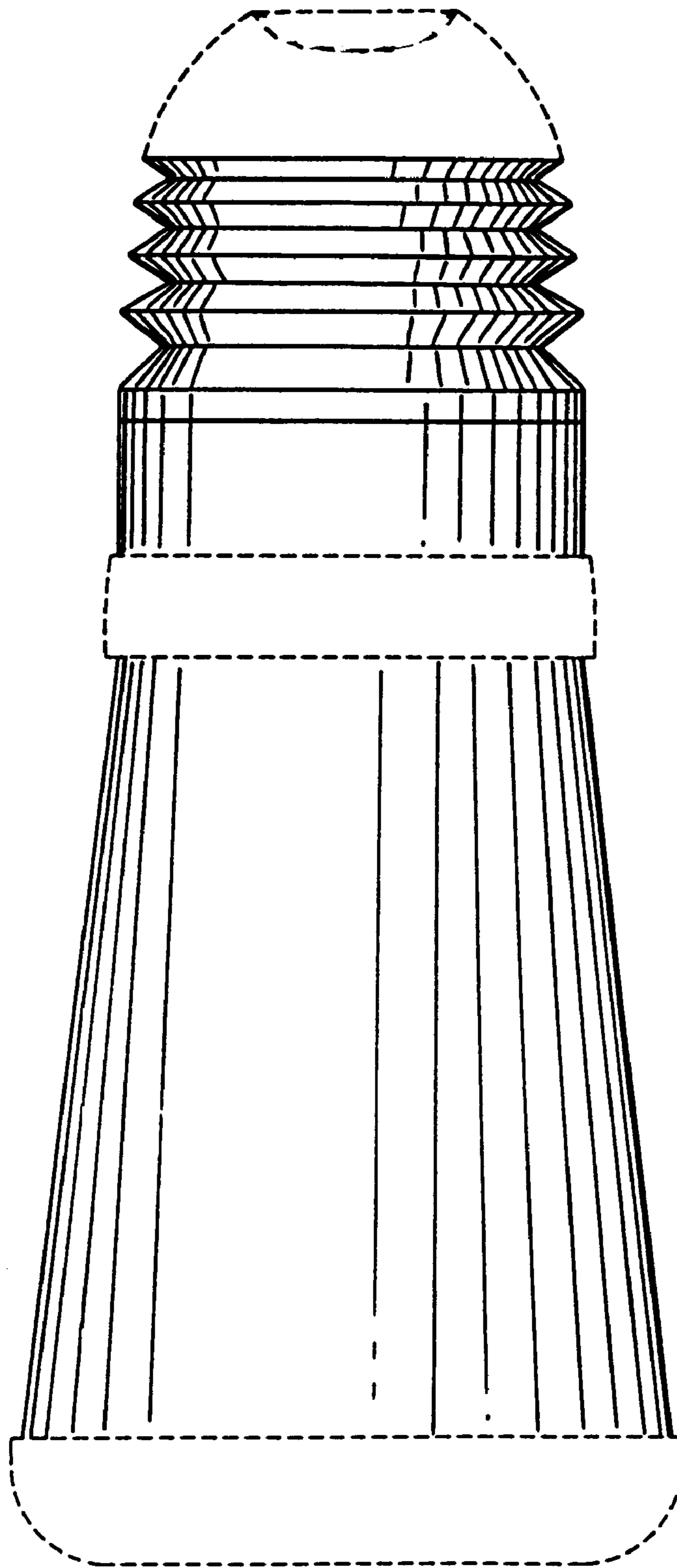


FIG. 4

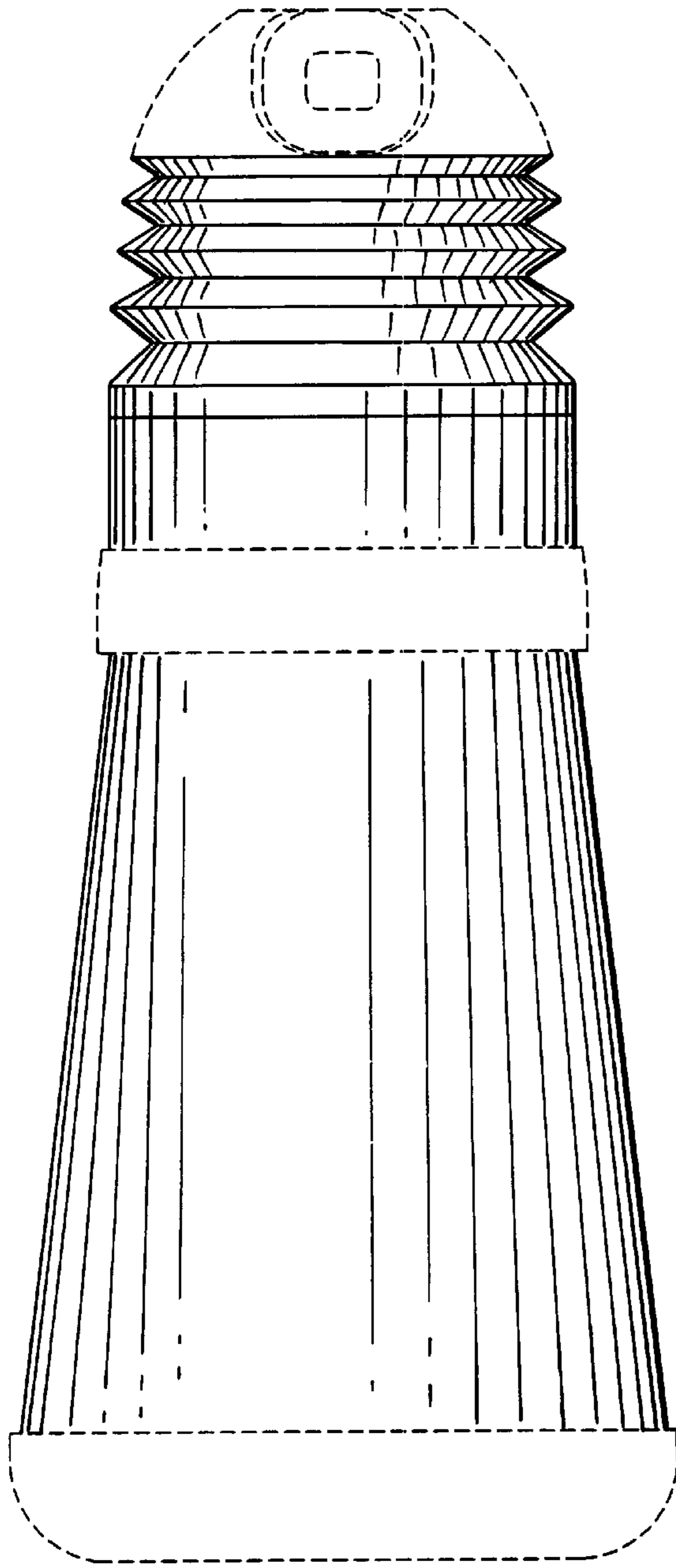


FIG. 5

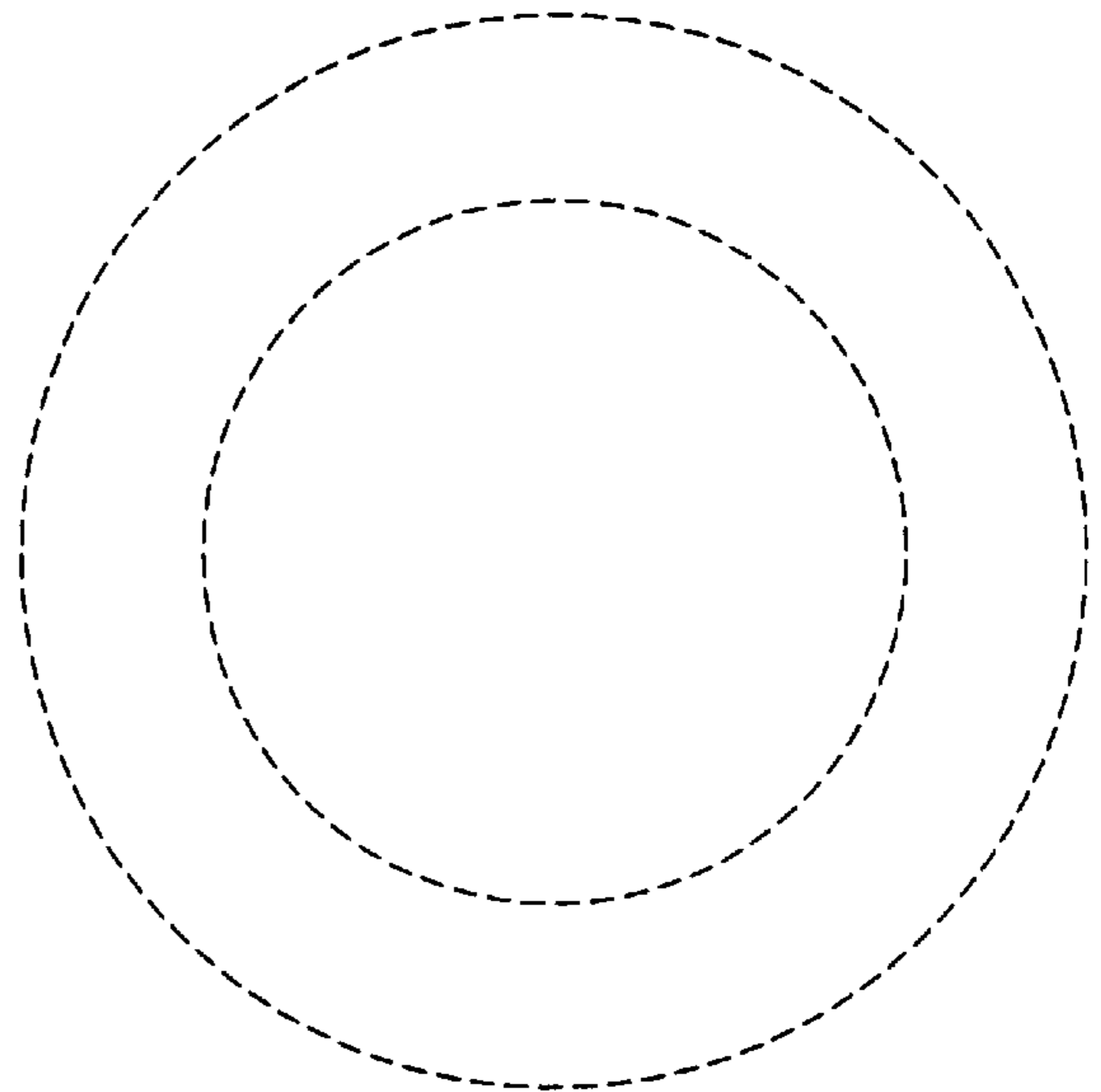


FIG. 6

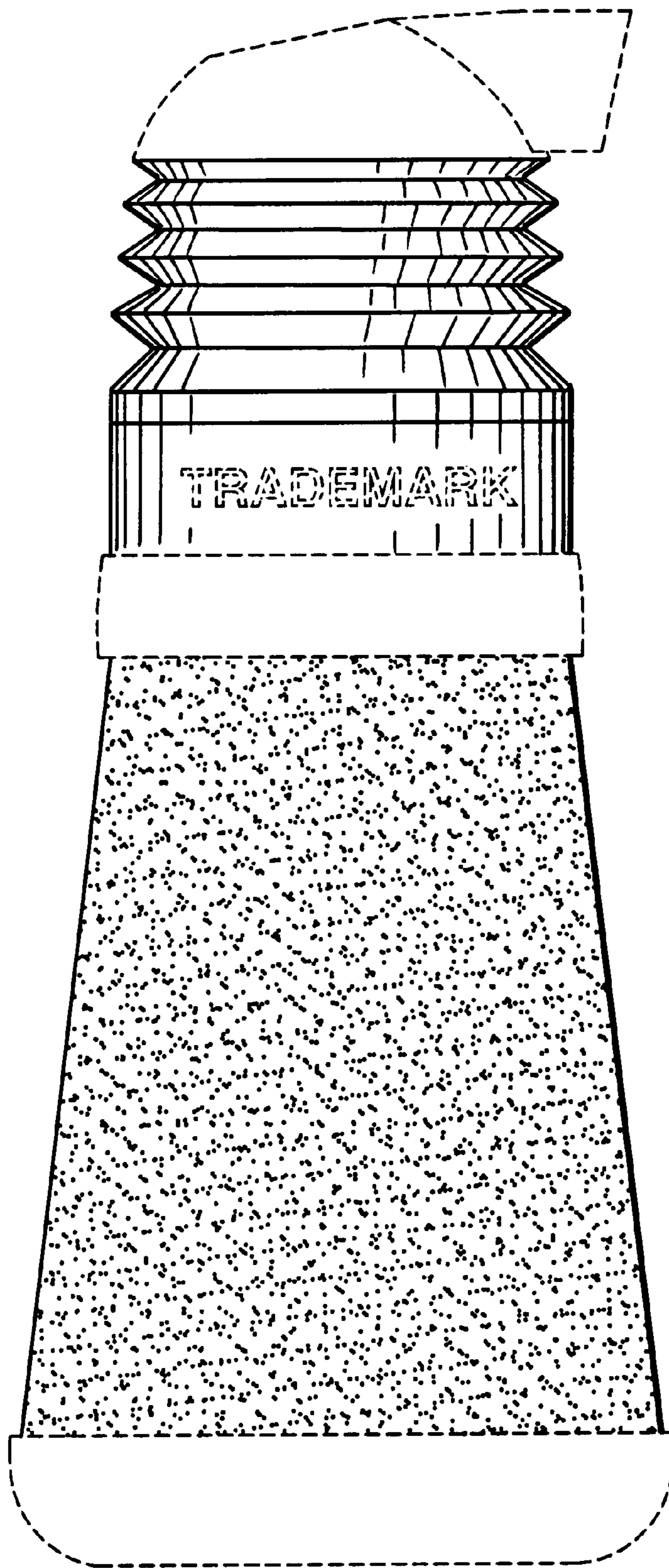


FIG. 7

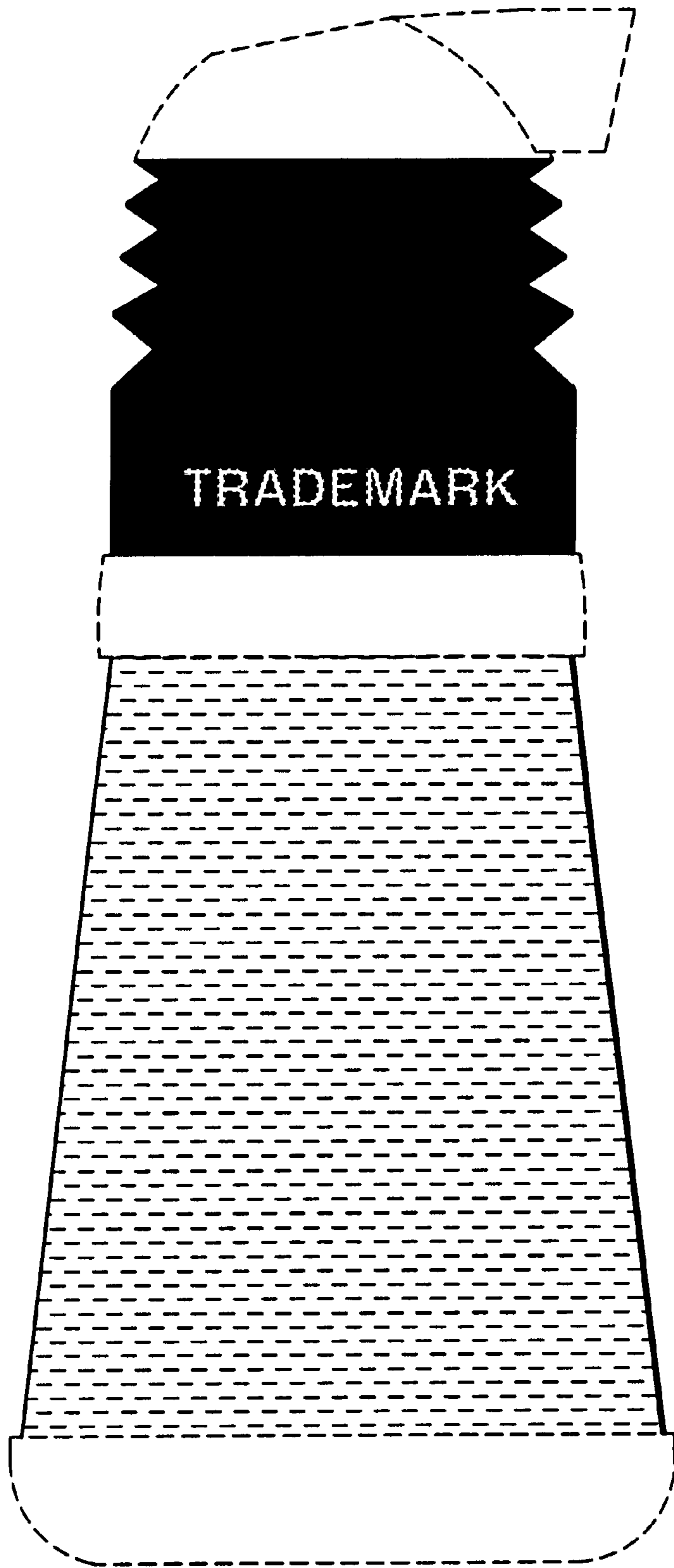


FIG.8

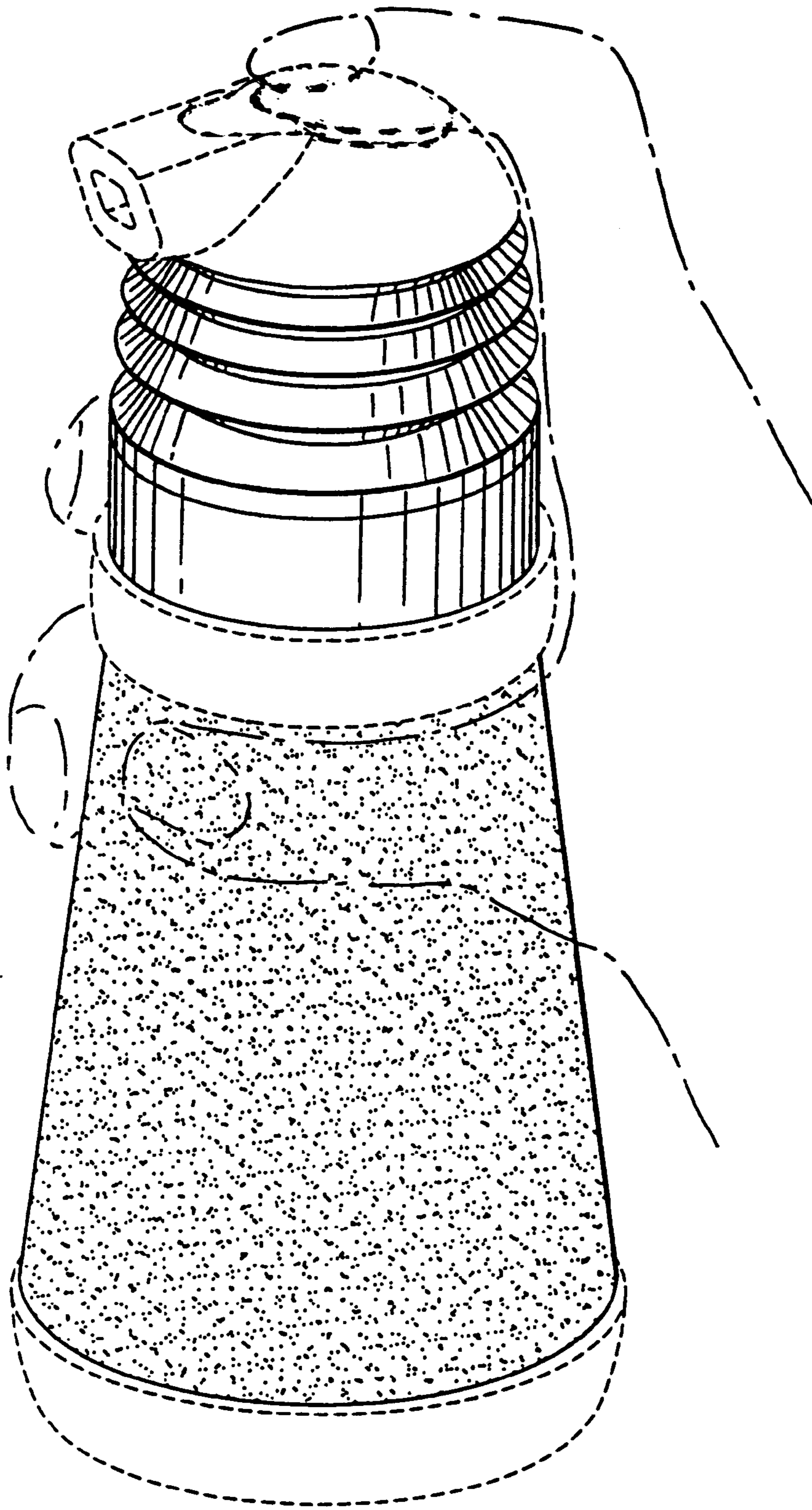


FIG.9

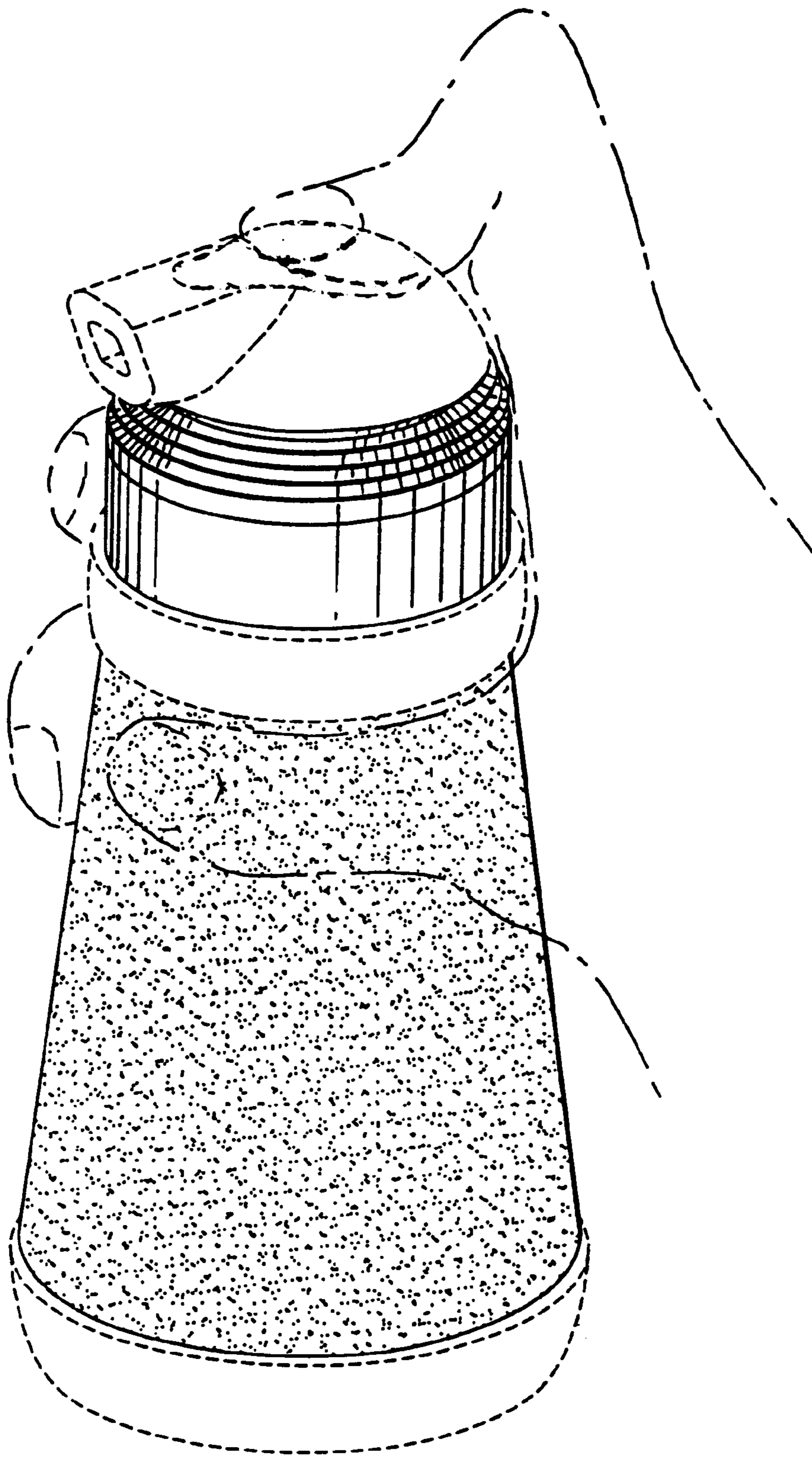


FIG. 10