



US00D434971S

United States Patent [19]
Cheng

[11] **Patent Number: Des. 434,971**

[45] **Date of Patent: ** Dec. 12, 2000**

[54] **REVOLVING HOOK**

D. 355,585 2/1995 Tereda et al. D8/367
D. 394,202 5/1998 Anscher D8/367

[76] Inventor: **Yung-Chun Cheng**, 52 Lane 137,
Chung Ching Nan Road, Set 3, Taipei,
Taiwan

Primary Examiner—Holly Baynham
Attorney, Agent, or Firm—Bacon & Thomas, PLLC

[**] Term: **14 Years**

[57] **CLAIM**

[21] Appl. No.: **29/123,850**

The ornamental design for a revolving hook, as shown and described.

[22] Filed: **May 26, 2000**

DESCRIPTION

[51] **LOC (7) Cl.** **08-05**

[52] **U.S. Cl.** **D8/367**

[58] **Field of Search** D8/367, 382; 24/265 H,
24/265 R, 599.8

FIG. 1. is a front elevational view of a revolving hook showing my new design;

FIG. 2. is a rear elevational view thereof;

FIG. 3. is a left side elevational view thereof;

FIG. 4. is a right side elevational view thereof;

FIG. 5. is a top plan view thereof;

FIG. 6. is a bottom plan view thereof; and,

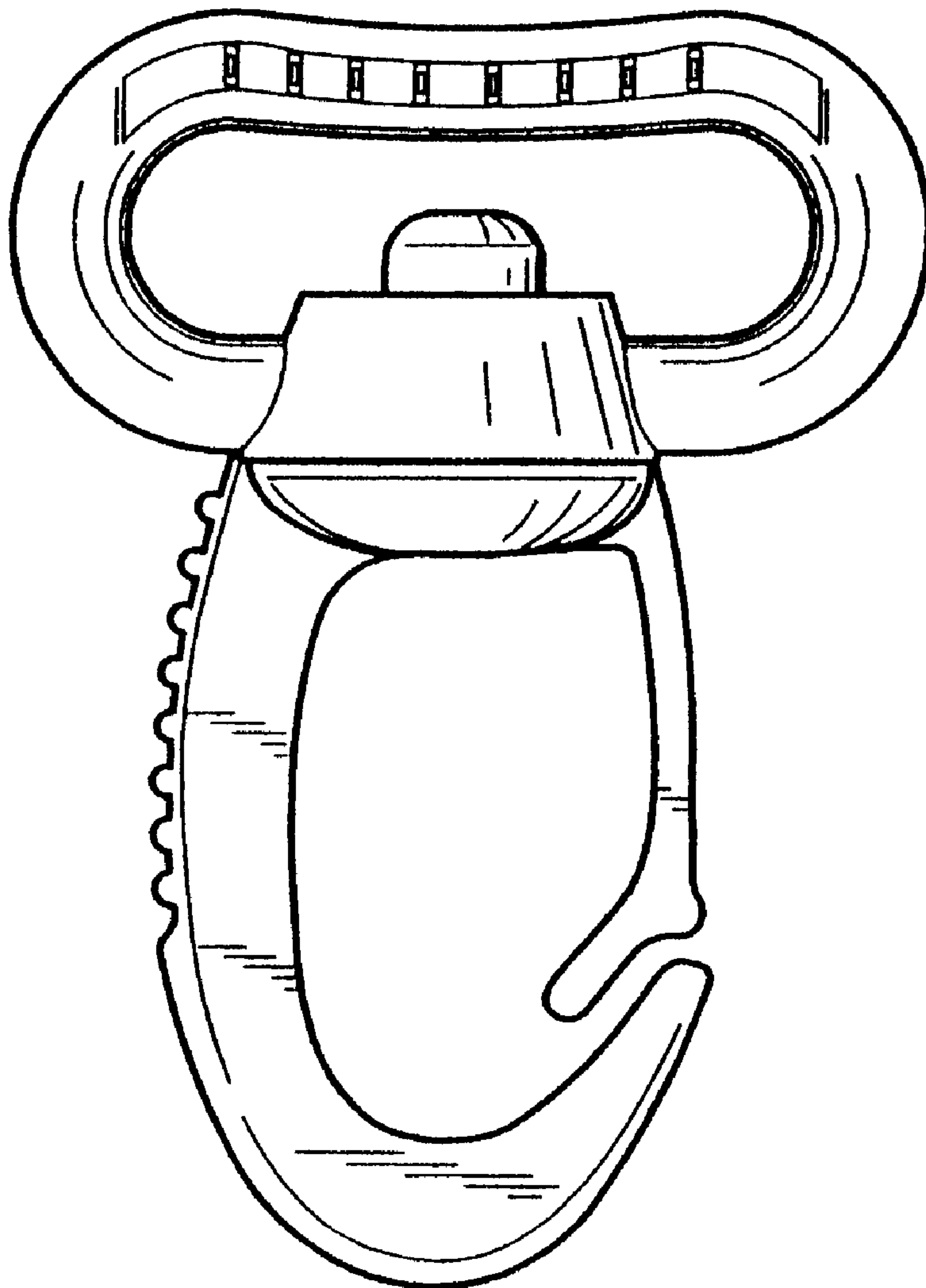
FIG. 7. is a perspective view thereof.

[56] **References Cited**

U.S. PATENT DOCUMENTS

D. 348,385 7/1994 Krauss D8/367
D. 354,433 1/1995 Anscher D8/382 X
D. 354,676 1/1995 Izumi et al. D8/367

1 Claim, 4 Drawing Sheets



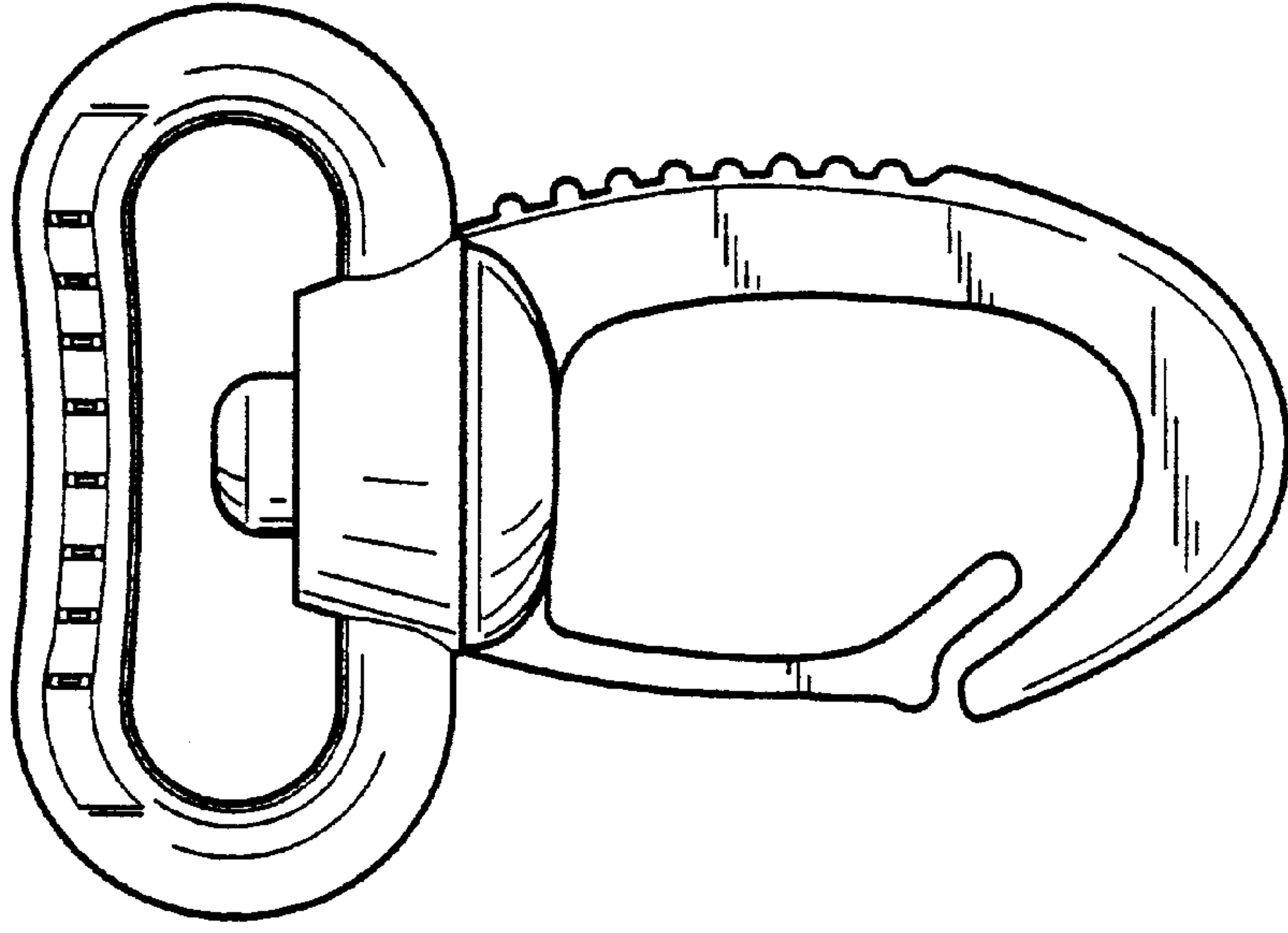


FIG. 2

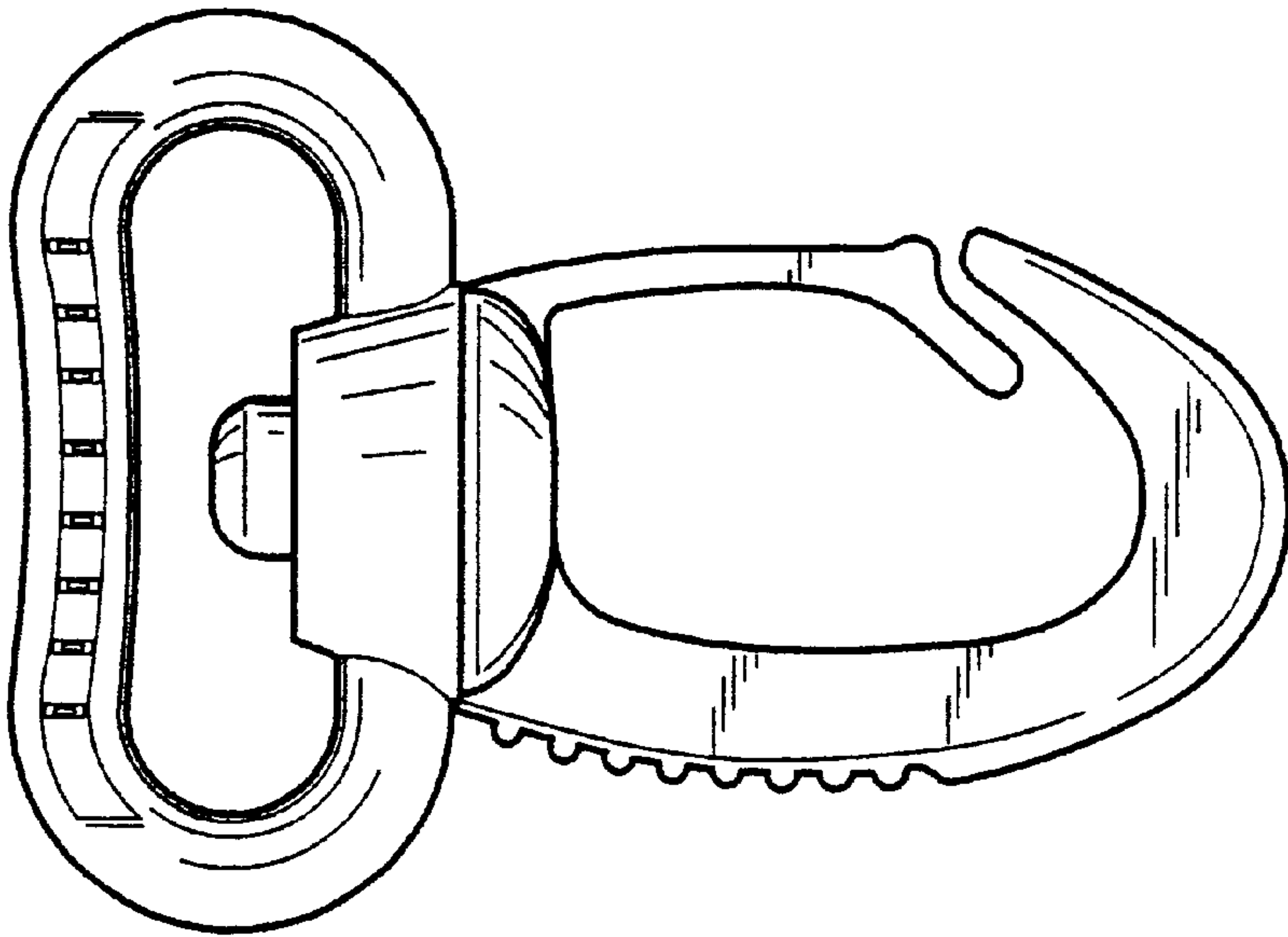


FIG. 1

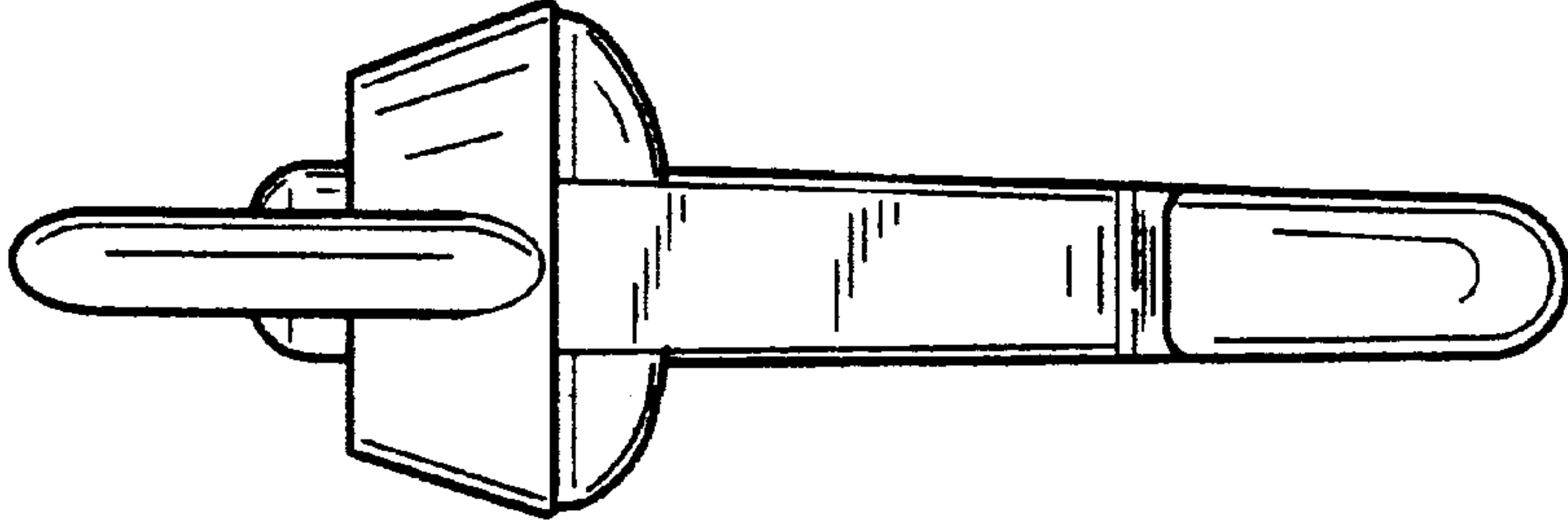


FIG. 4

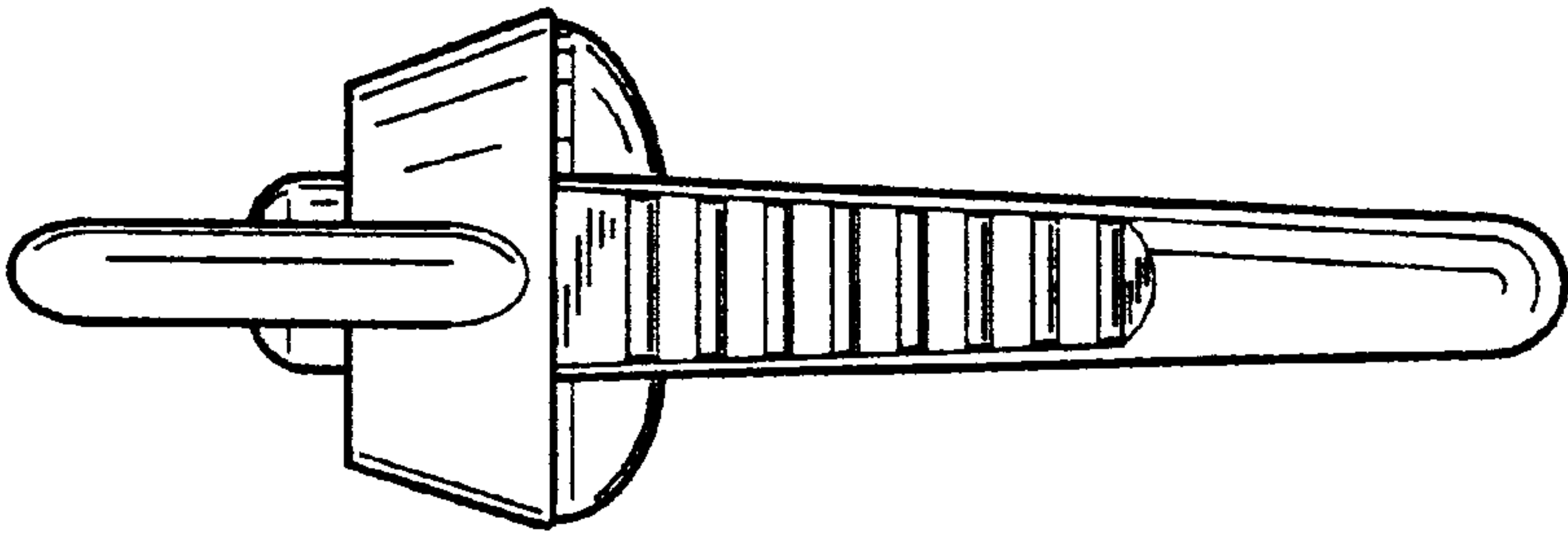


FIG. 3

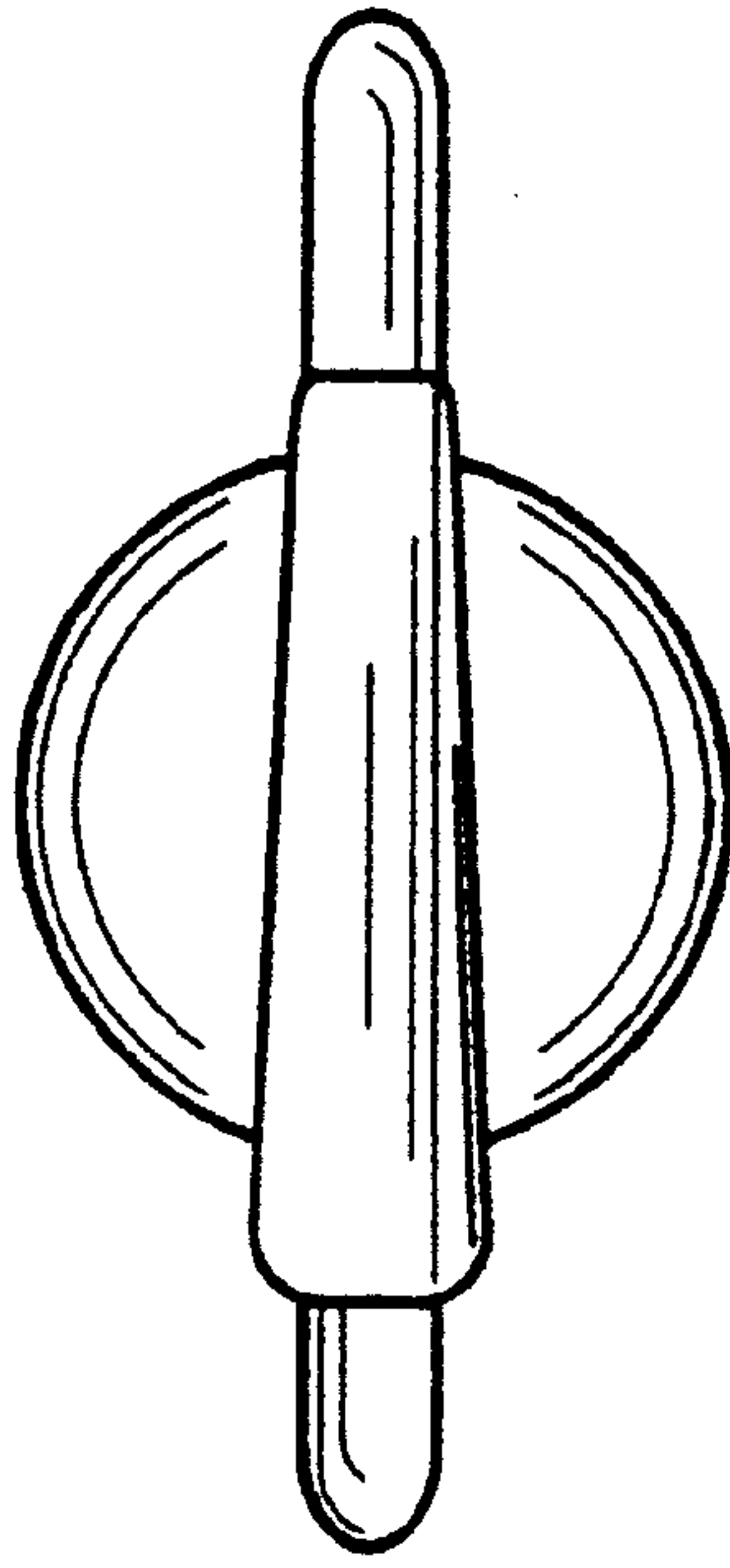


FIG. 6

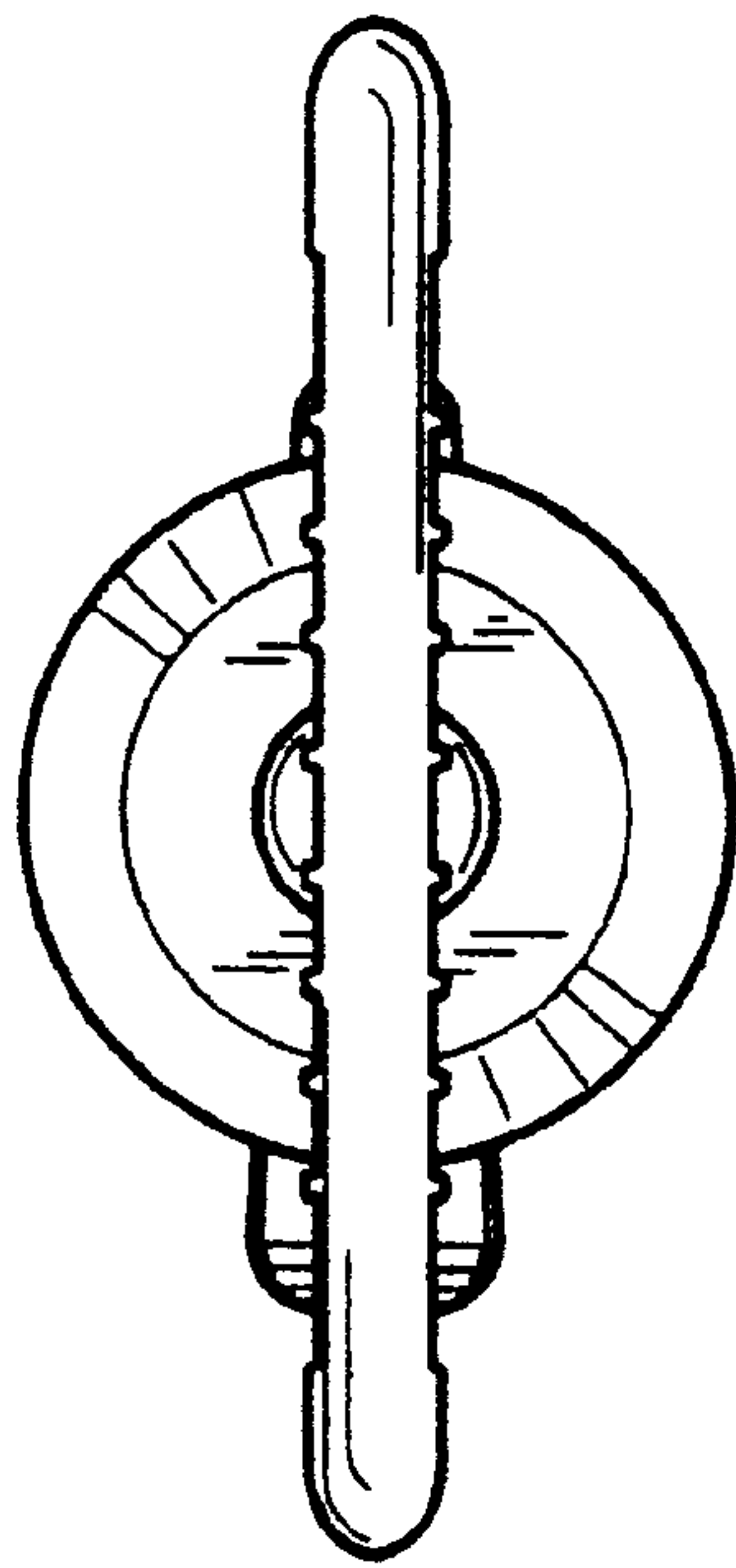


FIG. 5

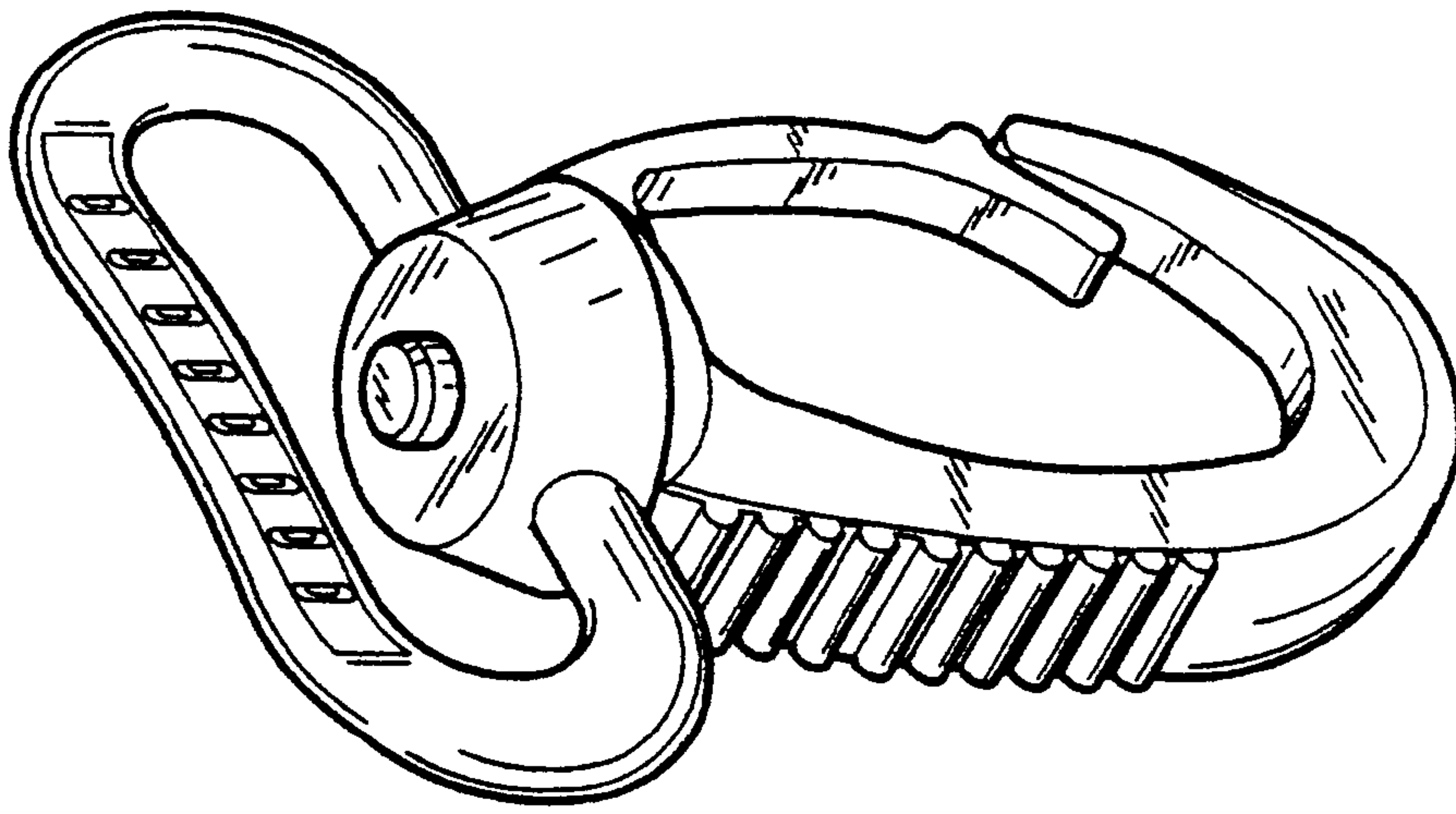


FIG. 7