



US00D434970S

**United States Patent** [19]  
**Wang**

[11] **Patent Number: Des. 434,970**

[45] **Date of Patent: \*\* Dec. 12, 2000**

[54] **STRING ROLLER FOR KITE**

D. 365,013 12/1995 Fujino ..... D8/359

[76] Inventor: **Ching-Hsing Wang**, No. 34, Tai-Shun St., Da An District, Taipei, Taiwan

*Primary Examiner*—Holly Baynham  
*Attorney, Agent, or Firm*—Varndell & Varndell PLLC

[\*\*] Term: **14 Years**

[57] **CLAIM**

[21] Appl. No.: **29/124,550**

The ornamental design for a string roller for kite, as shown and described.

[22] Filed: **Jun. 8, 2000**

**DESCRIPTION**

[51] **LOC (7) Cl.** ..... **08-05**

[52] **U.S. Cl.** ..... **D8/359**

[58] **Field of Search** ..... D8/359; D22/137; 242/395, 405.3, 129.8, 128; 244/155 R

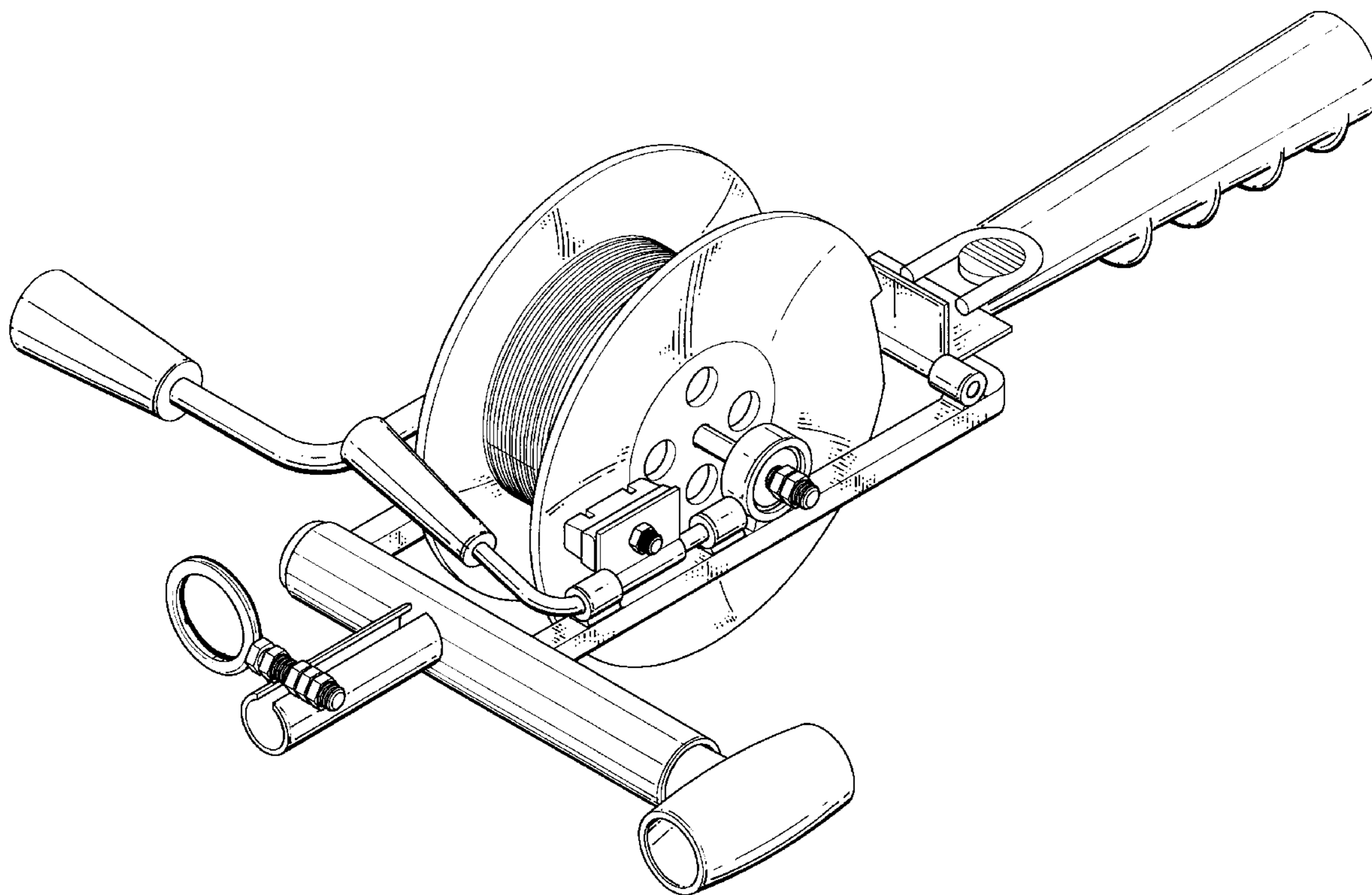
FIG. 1 is a perspective view of the string roller for kite showing the new design;  
FIG. 2 is a reduced front view of the new design;  
FIG. 3 is a rear view of the new design;  
FIG. 4 is a left side view of the new design;  
FIG. 5 is a right view of the new design;  
FIG. 6 is a top view of the new design; and,  
FIG. 7 is a bottom view of the new design.

[56] **References Cited**

**U.S. PATENT DOCUMENTS**

- D. 275,729 10/1984 Stoddard ..... D8/359
- D. 292,669 11/1987 Fomby ..... D8/359
- D. 338,391 8/1993 Price ..... D8/359

**1 Claim, 7 Drawing Sheets**



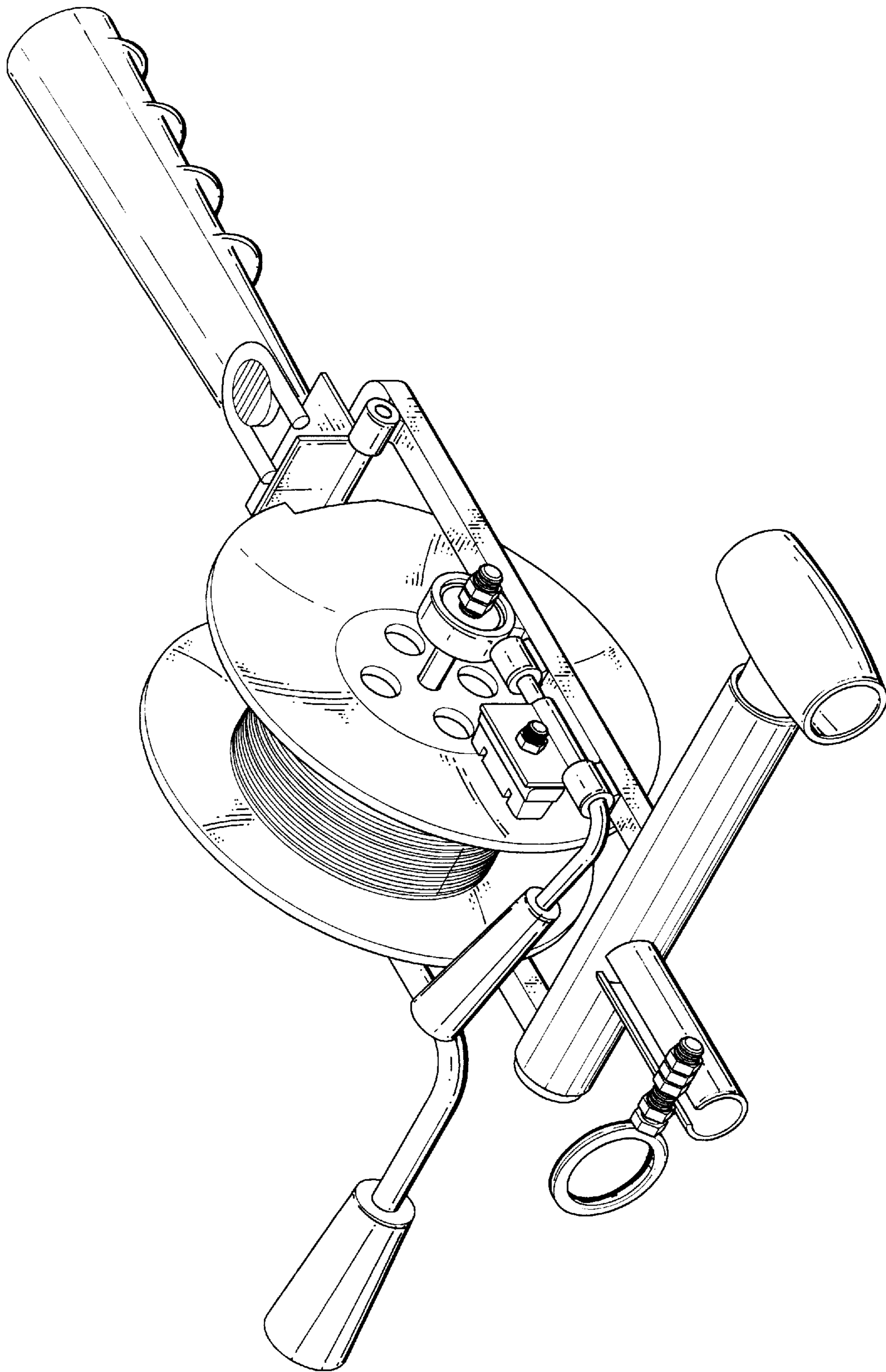


Fig. 1

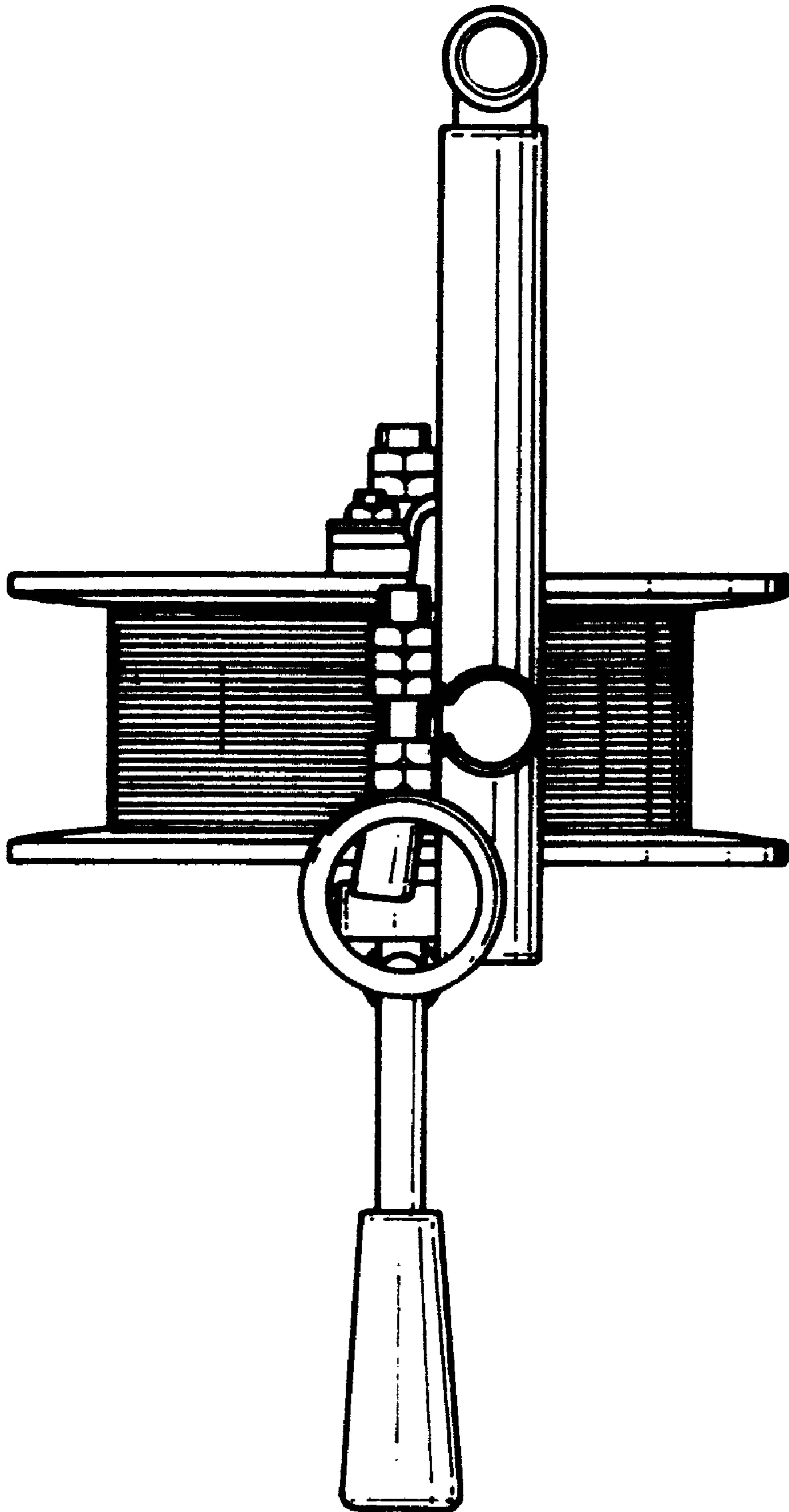


Fig. 2

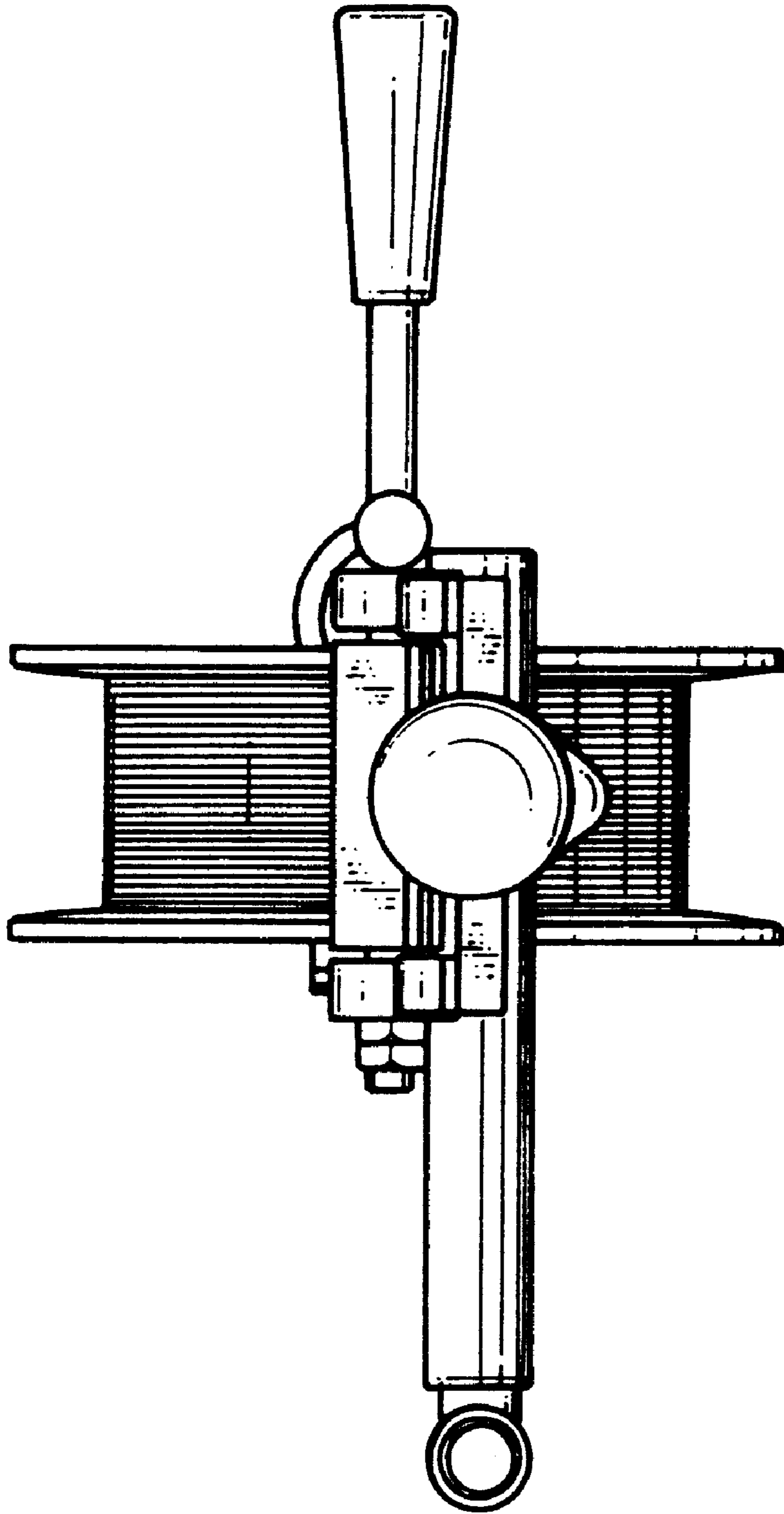


Fig. 3

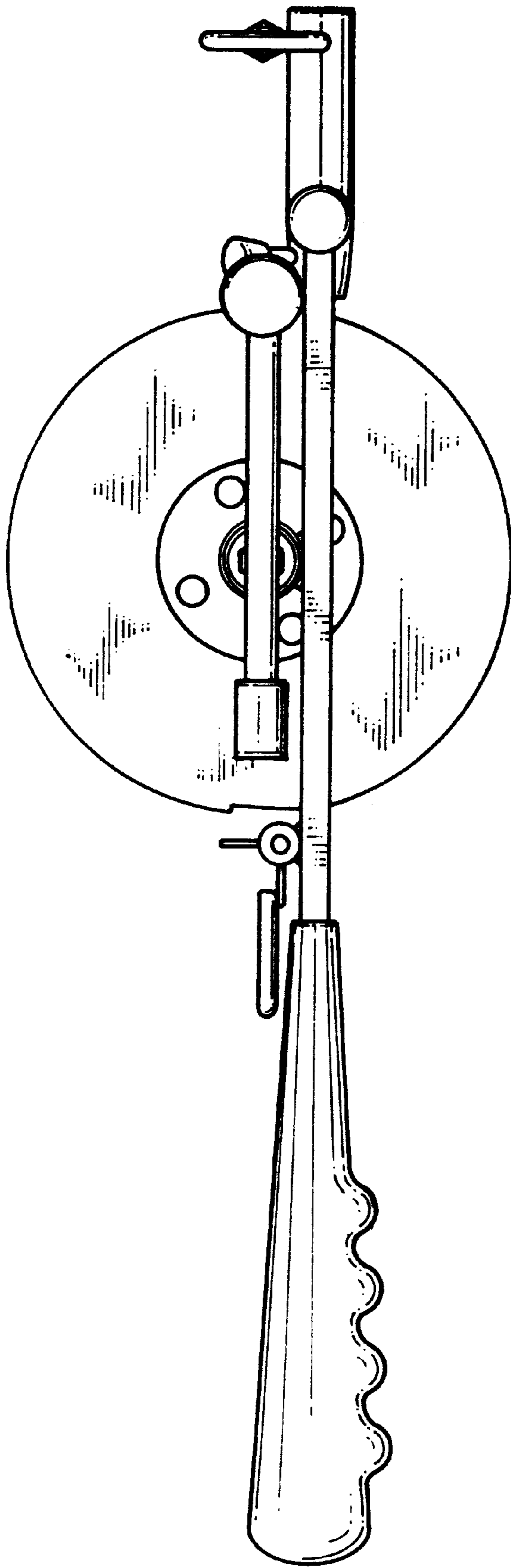


Fig. 4

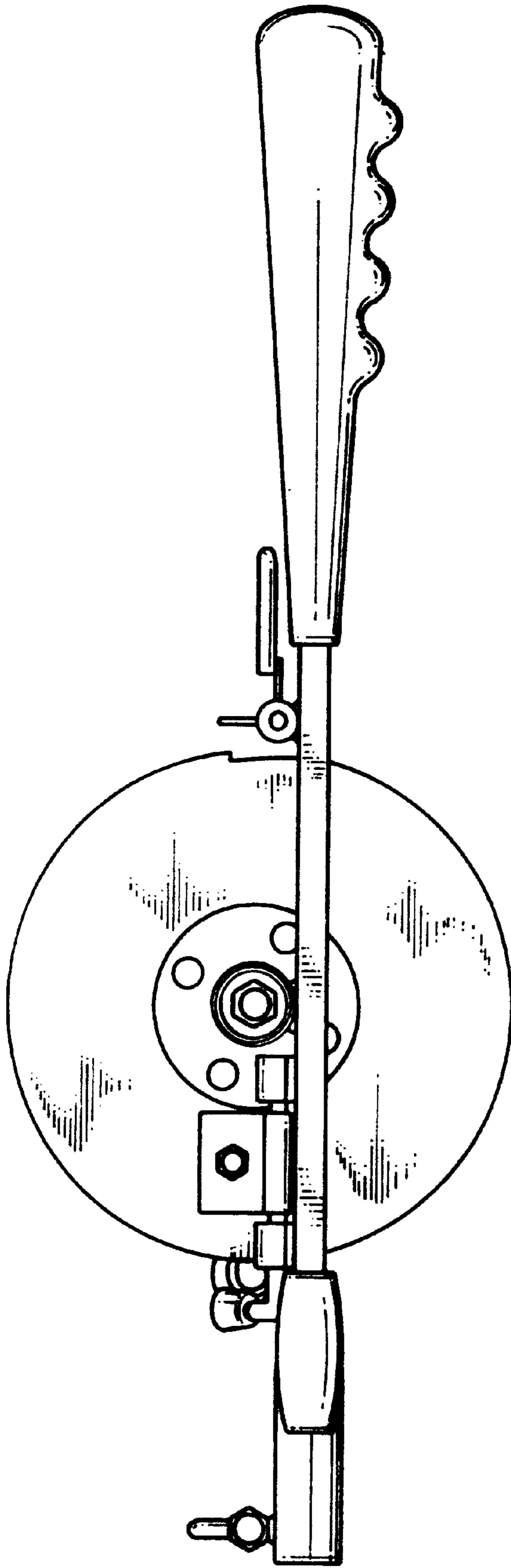


Fig. 5

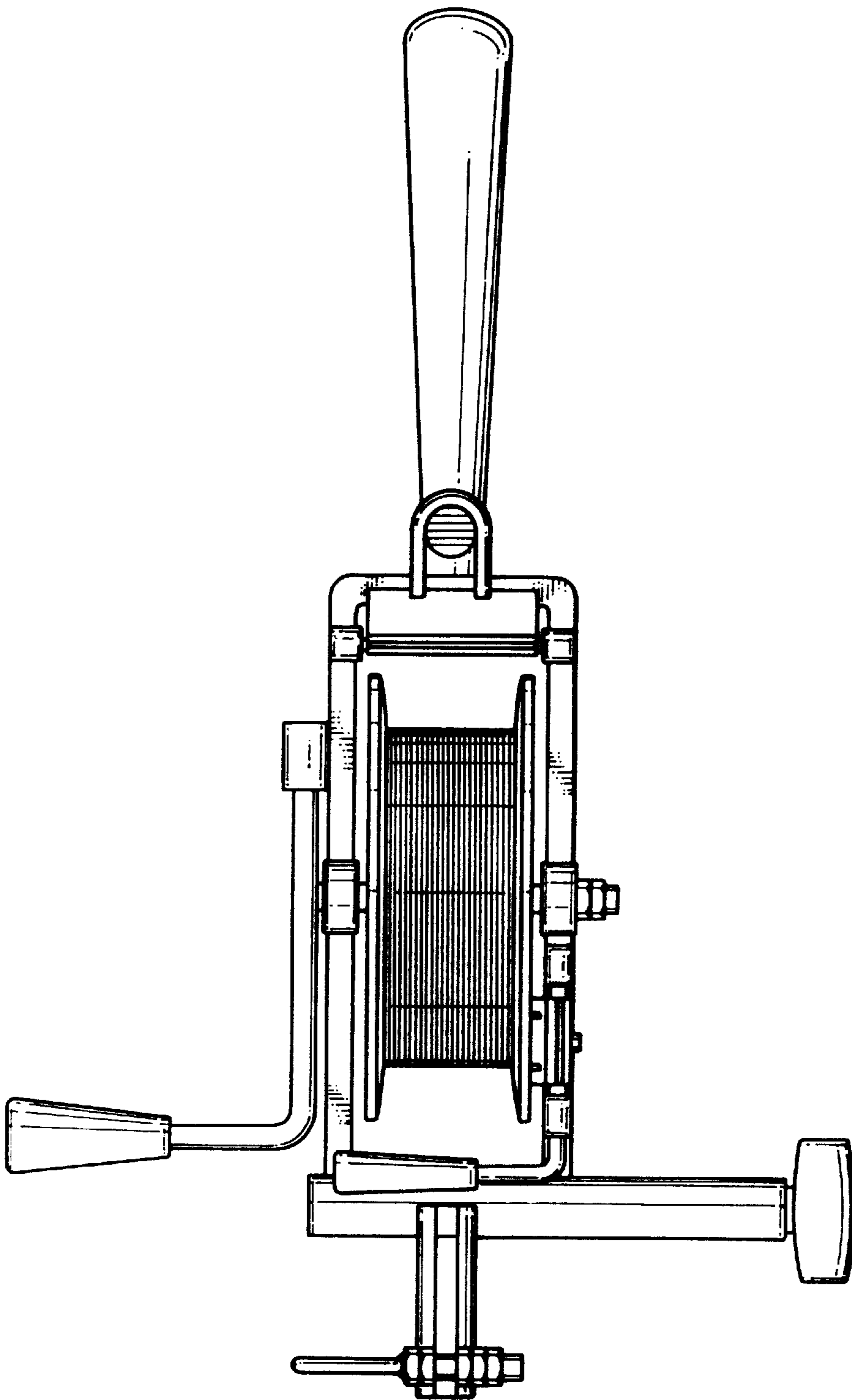


Fig. 6

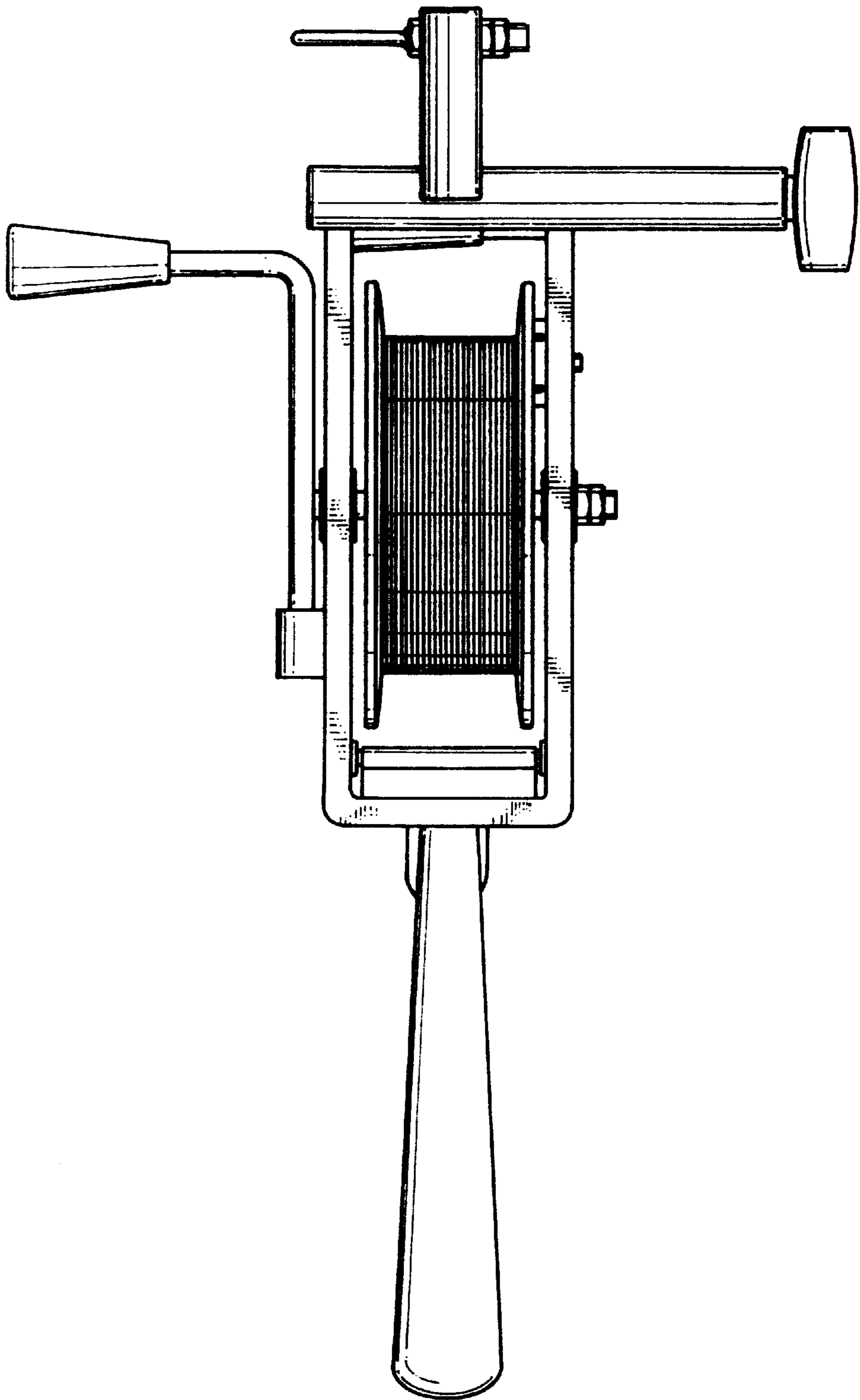


Fig. 7