



US00D434968S

United States Patent [19] Fortier

[11] **Patent Number: Des. 434,968**

[45] **Date of Patent: ** Dec. 12, 2000**

[54] **SUPPORTING BRACKET**

Attorney, Agent, or Firm—Swabey Ogilvy Renault

[75] Inventor: **Michel Fortier**, Montreal, Canada

[57] **CLAIM**

[73] Assignee: **Force et Forme**, Montreal, Canada

The ornamental design for a “supporting bracket”, as shown and described.

[**] Term: **14 Years**

[21] Appl. No.: **29/113,819**

[22] Filed: **Nov. 15, 1999**

[51] **LOC (7) Cl.** **08-05**

[52] **U.S. Cl.** **D8/354**

[58] **Field of Search** D8/382, 394, 399;
248/229.15, 229.25, 230.1

DESCRIPTION

FIG. 1 is a perspective view of the supporting bracket showing my new design;

FIG. 2 is a left side view of the supporting bracket, the opposite view being a mirror image thereof;

FIG. 3 is a top plan view of the supporting bracket;

FIG. 4 is a front view of the supporting bracket;

FIG. 5 is a rear view of the supporting bracket;

FIG. 6 is a bottom plan view of the supporting bracket;

FIG. 7 is a perspective view of another embodiment of the supporting bracket showing my new design;

FIG. 8 is a left side view of the supporting bracket, the opposite view being a mirror image thereof;

FIG. 9 is a top plan view of the supporting bracket;

FIG. 10 is a front view of the supporting bracket;

FIG. 11 is a rear view of the supporting bracket; and,

FIG. 12 is a bottom plan view of the supporting bracket.

[56] **References Cited**

U.S. PATENT DOCUMENTS

D. 272,718 2/1984 Knudson D8/382
D. 383,050 9/1997 Palmer D8/354

FOREIGN PATENT DOCUMENTS

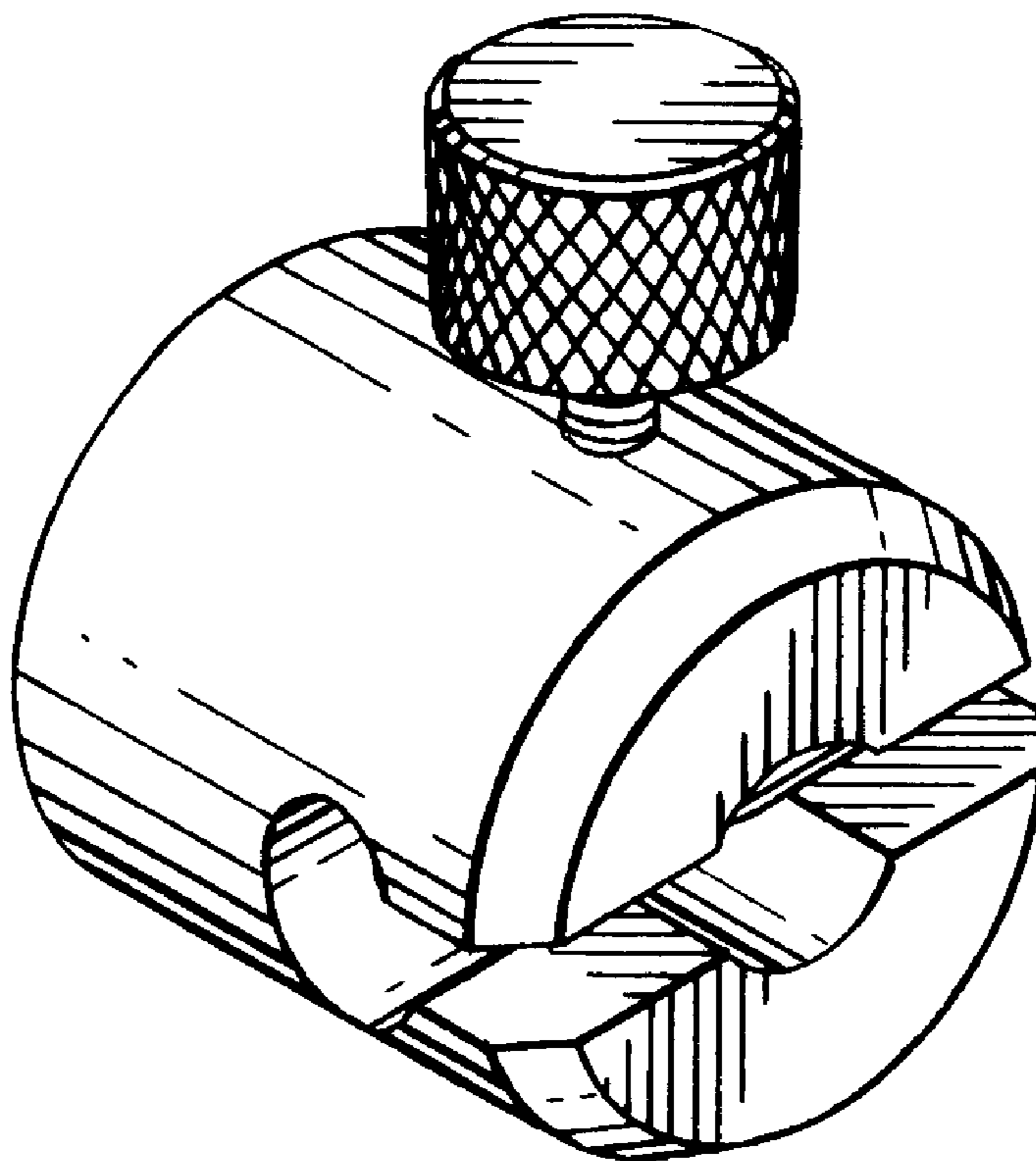
51079 3/1983 Canada .
60613 4/1988 Canada .

OTHER PUBLICATIONS

Sterling Instruments, p. 418, clamps, located at bottom of page, Jan. 1977.

Primary Examiner—Holly Baynham

1 Claim, 2 Drawing Sheets



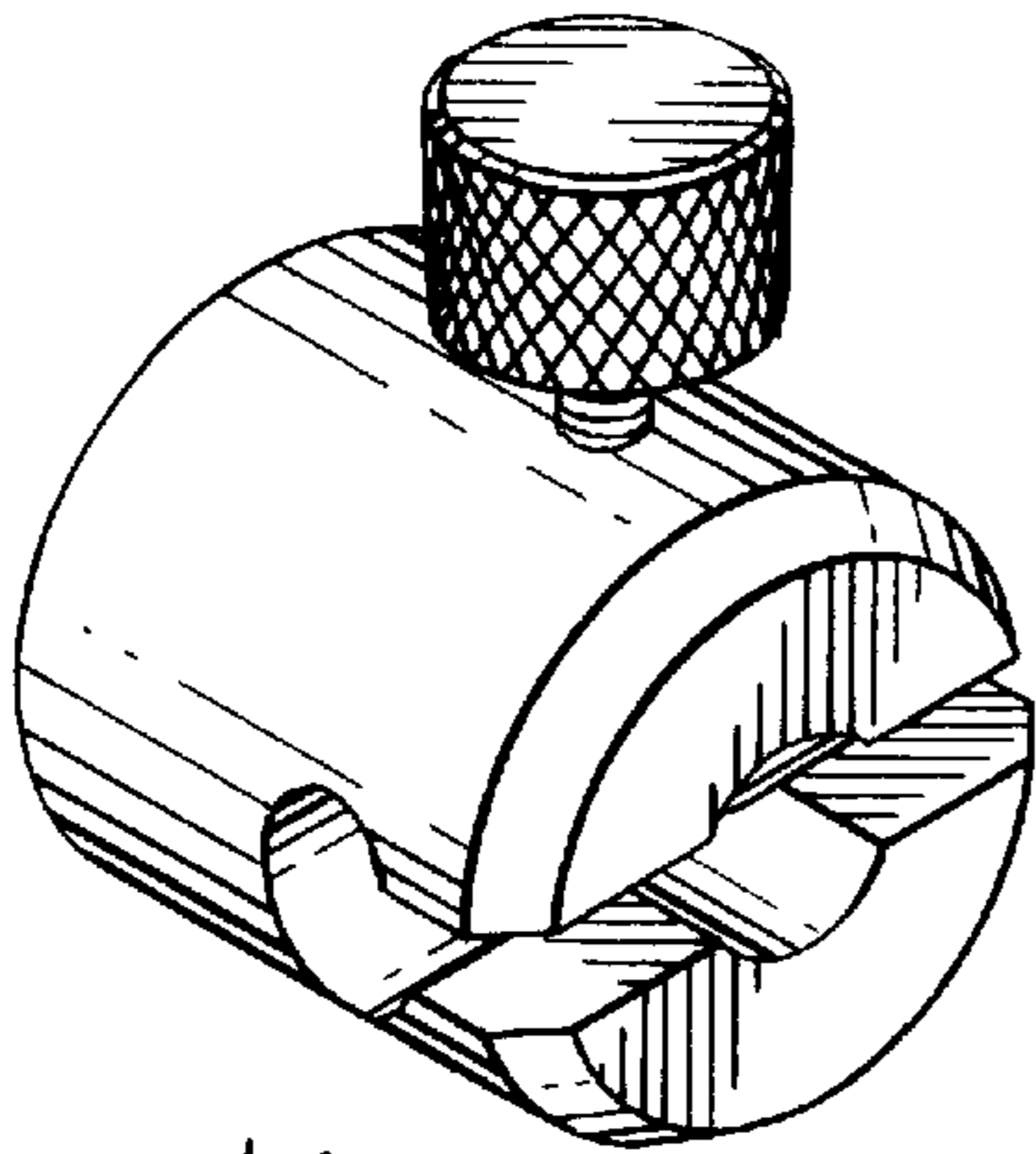


Fig. 1

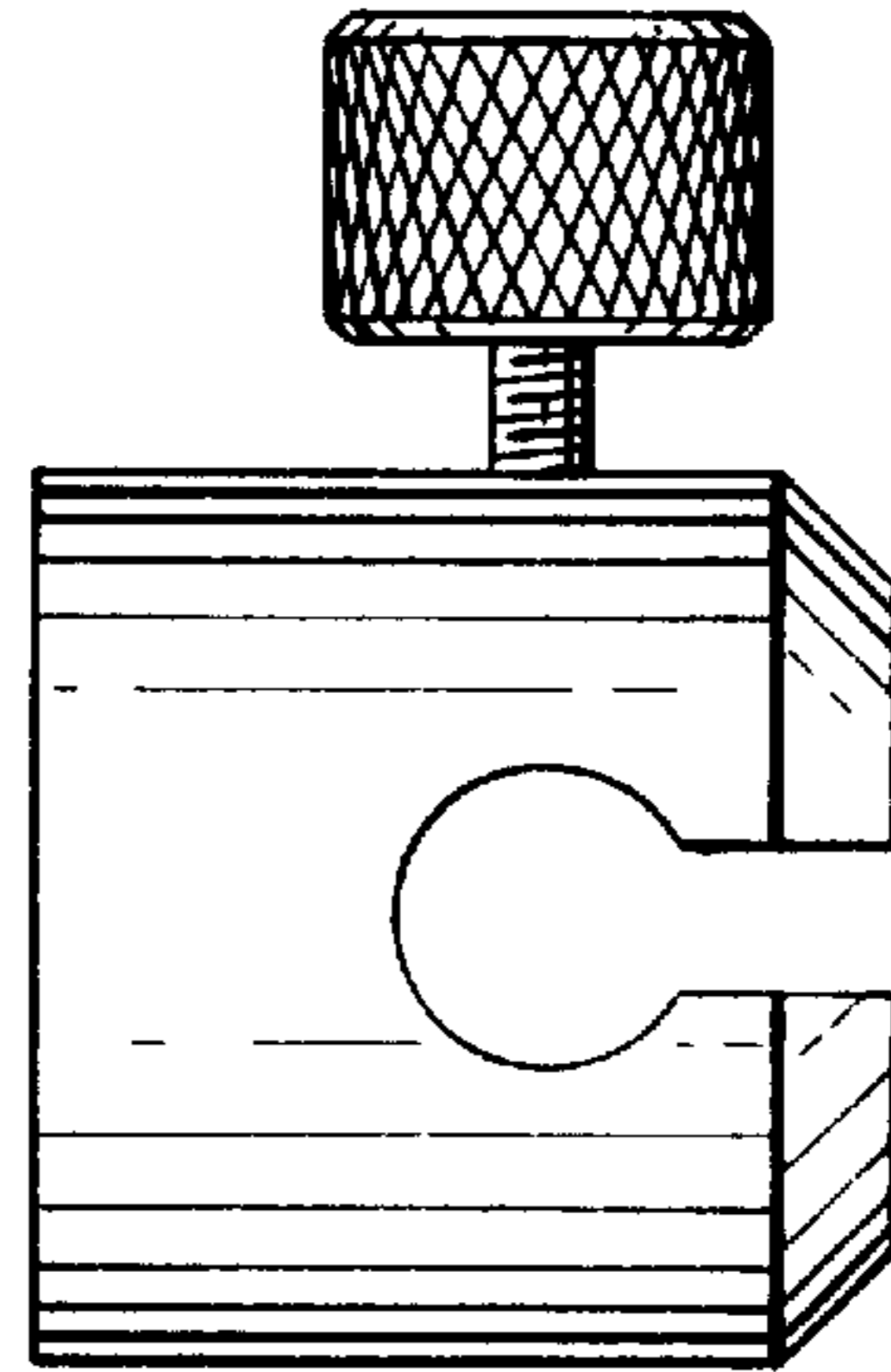


Fig. 2

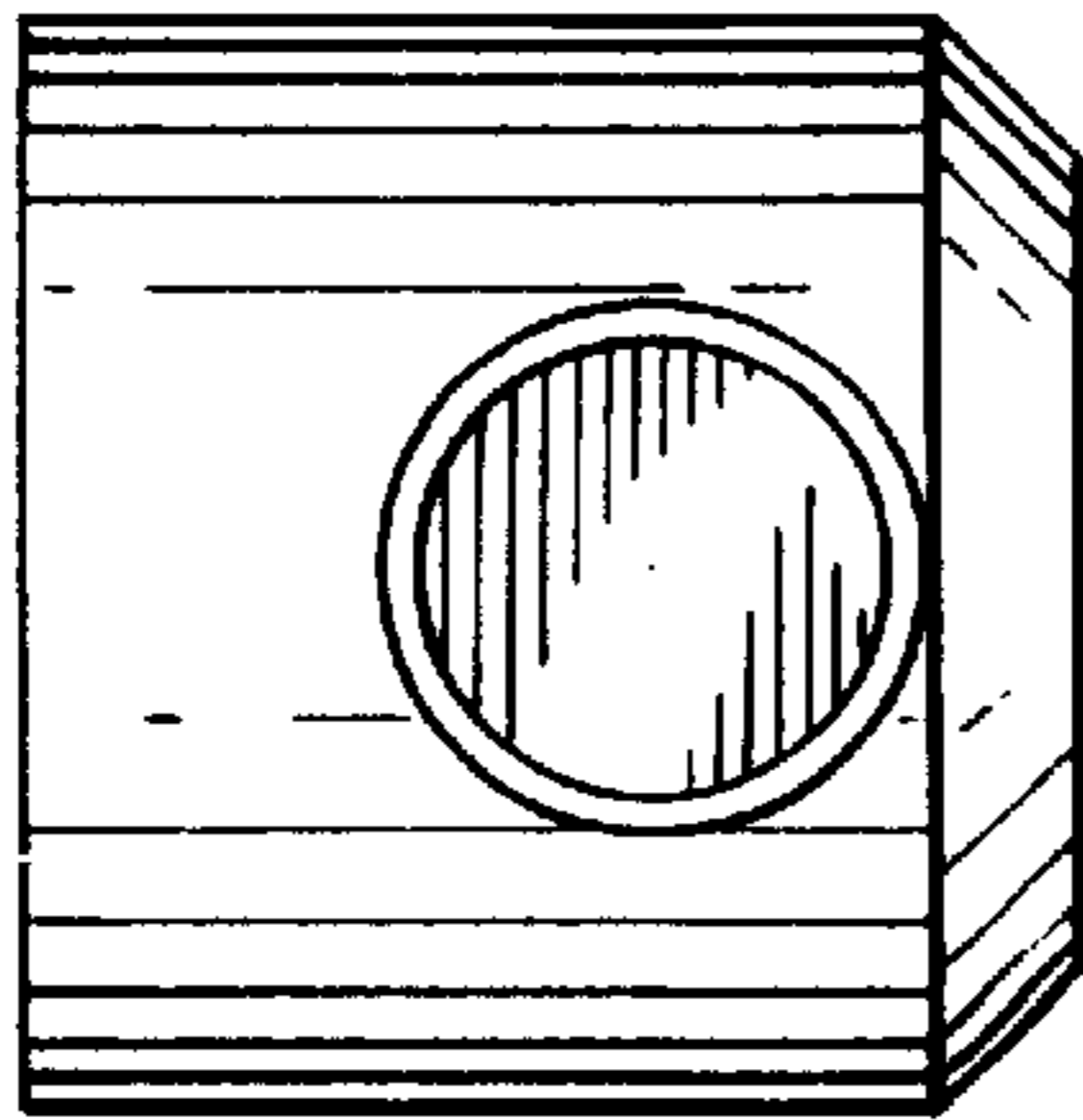


Fig. 3

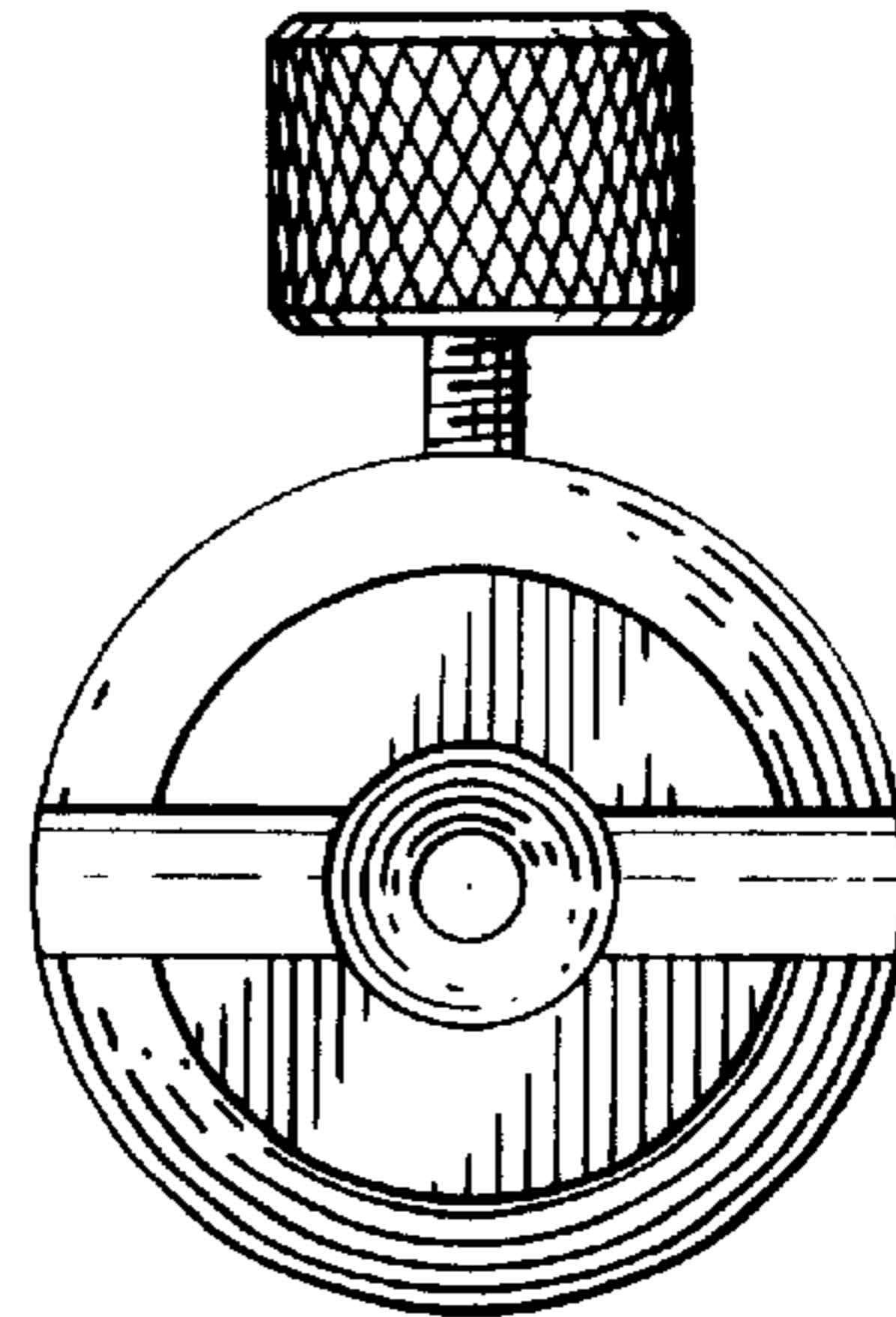


Fig. 4

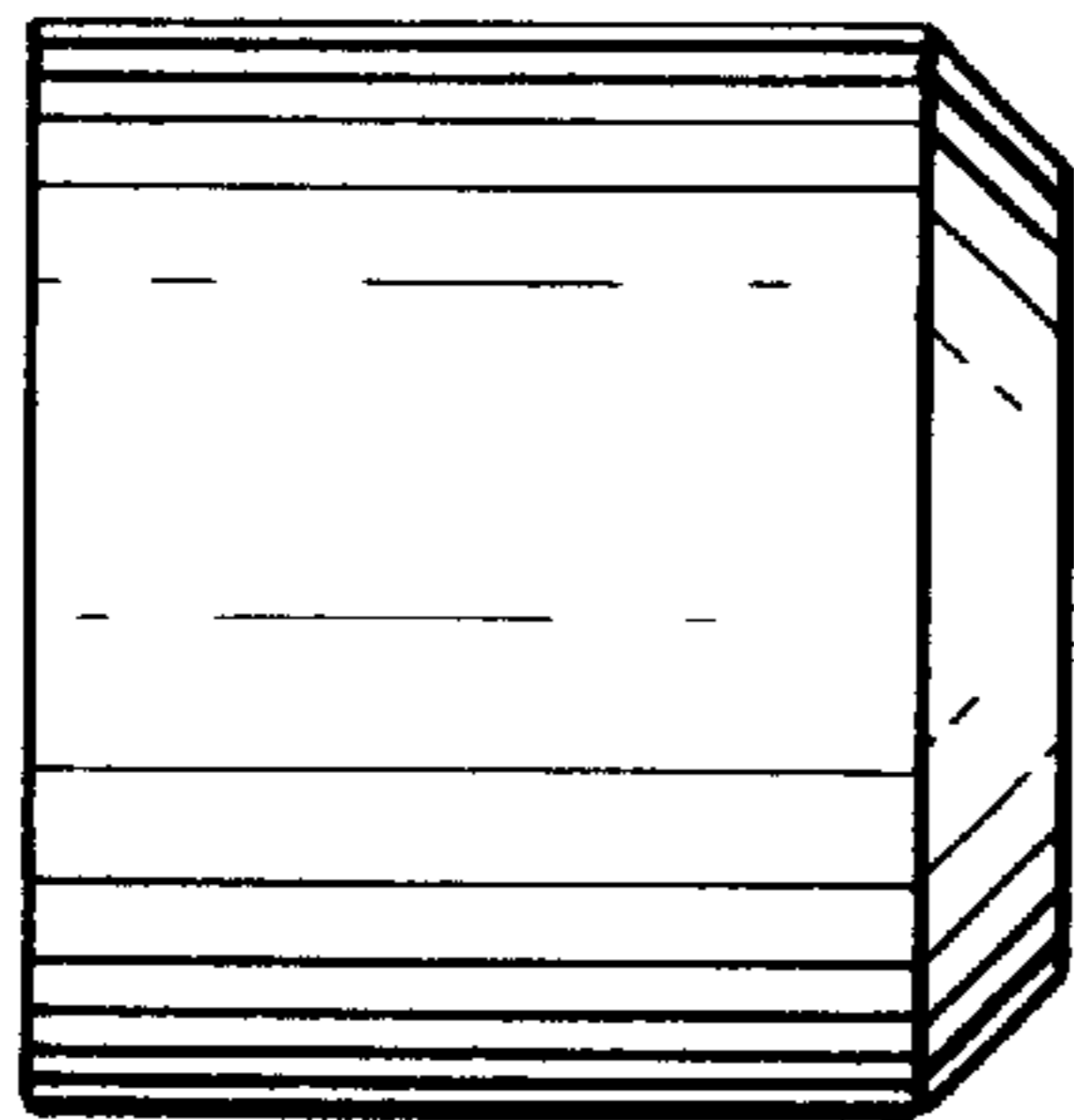


Fig. 6

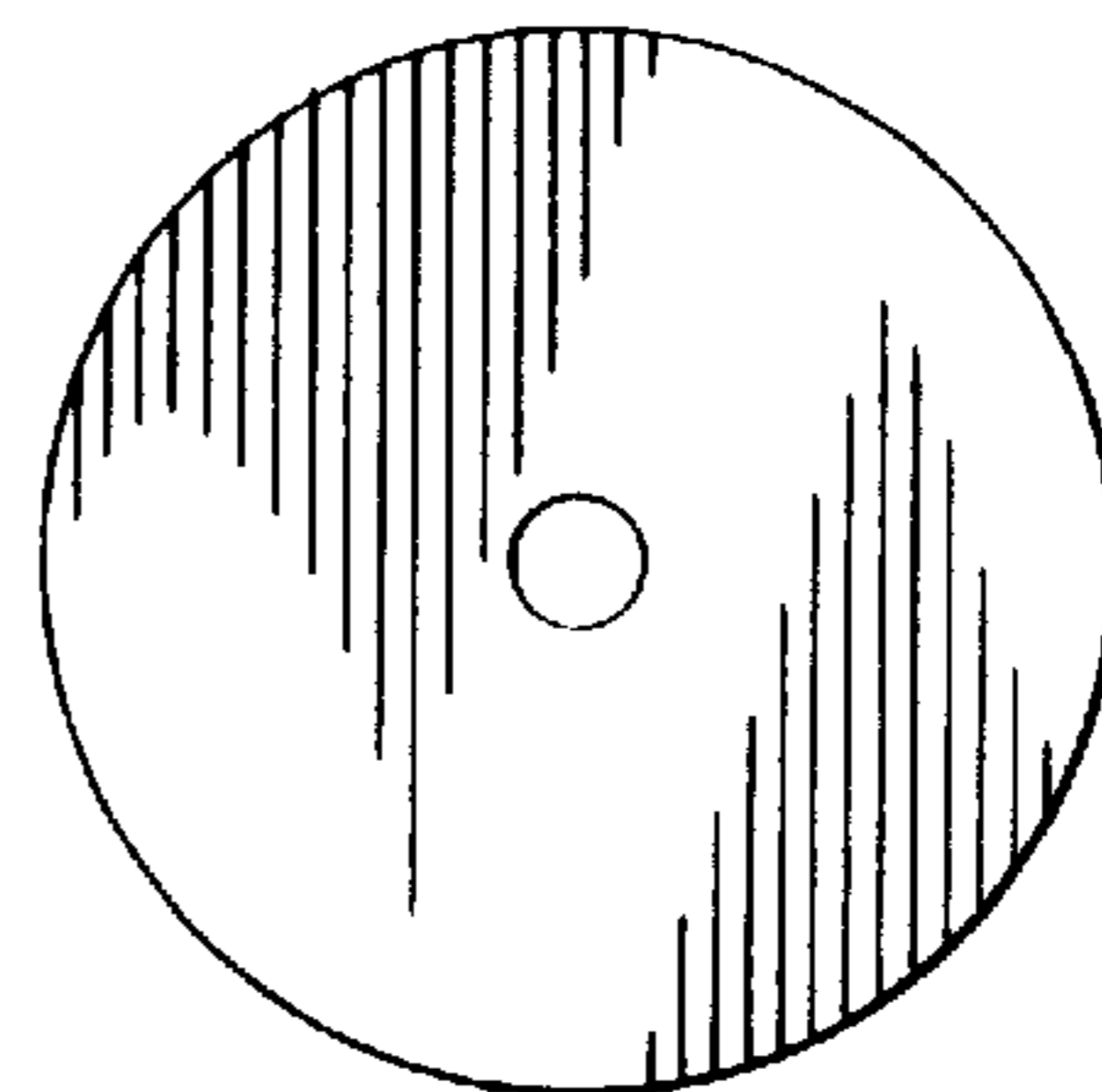


Fig. 5

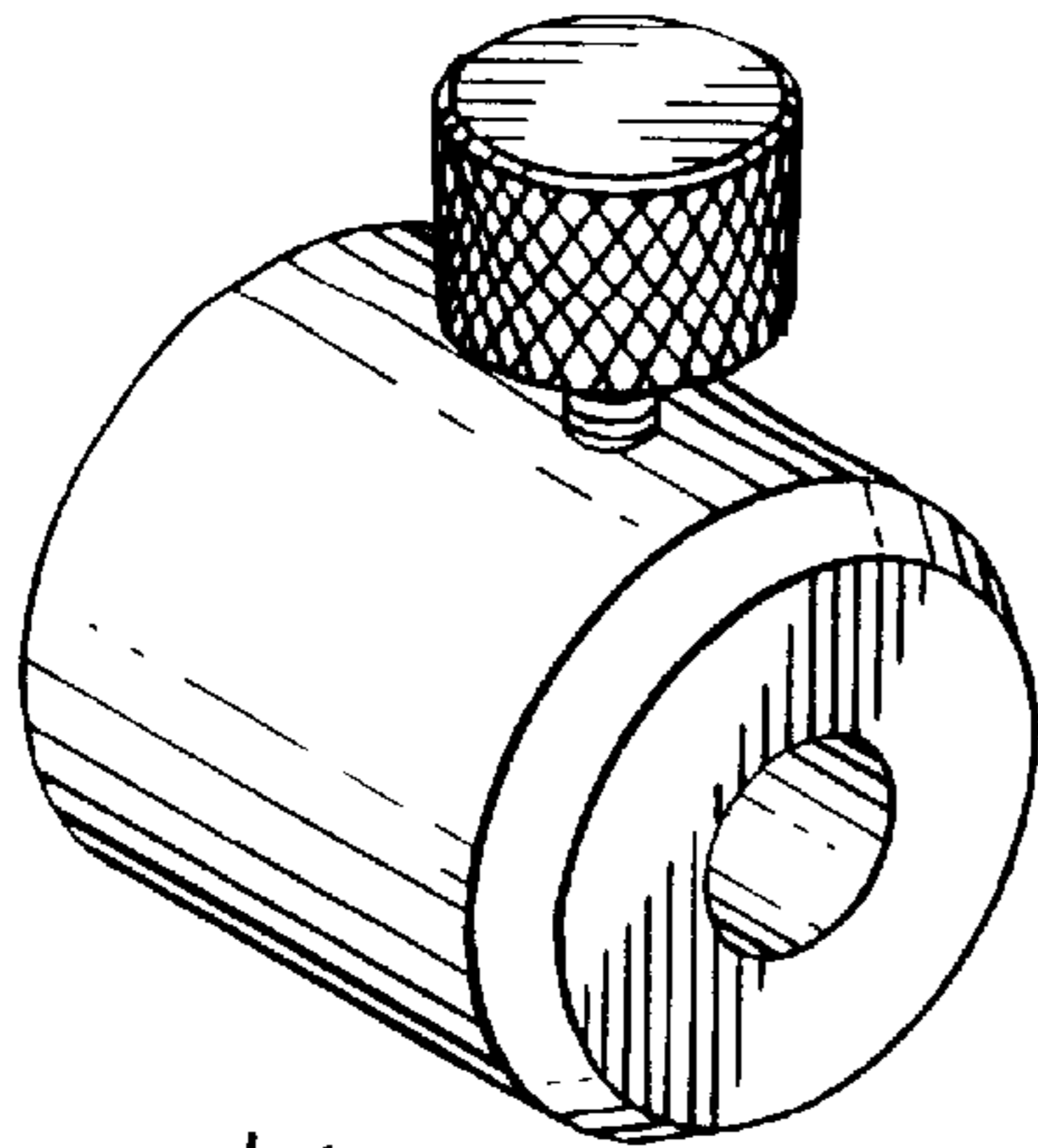


Fig. 7

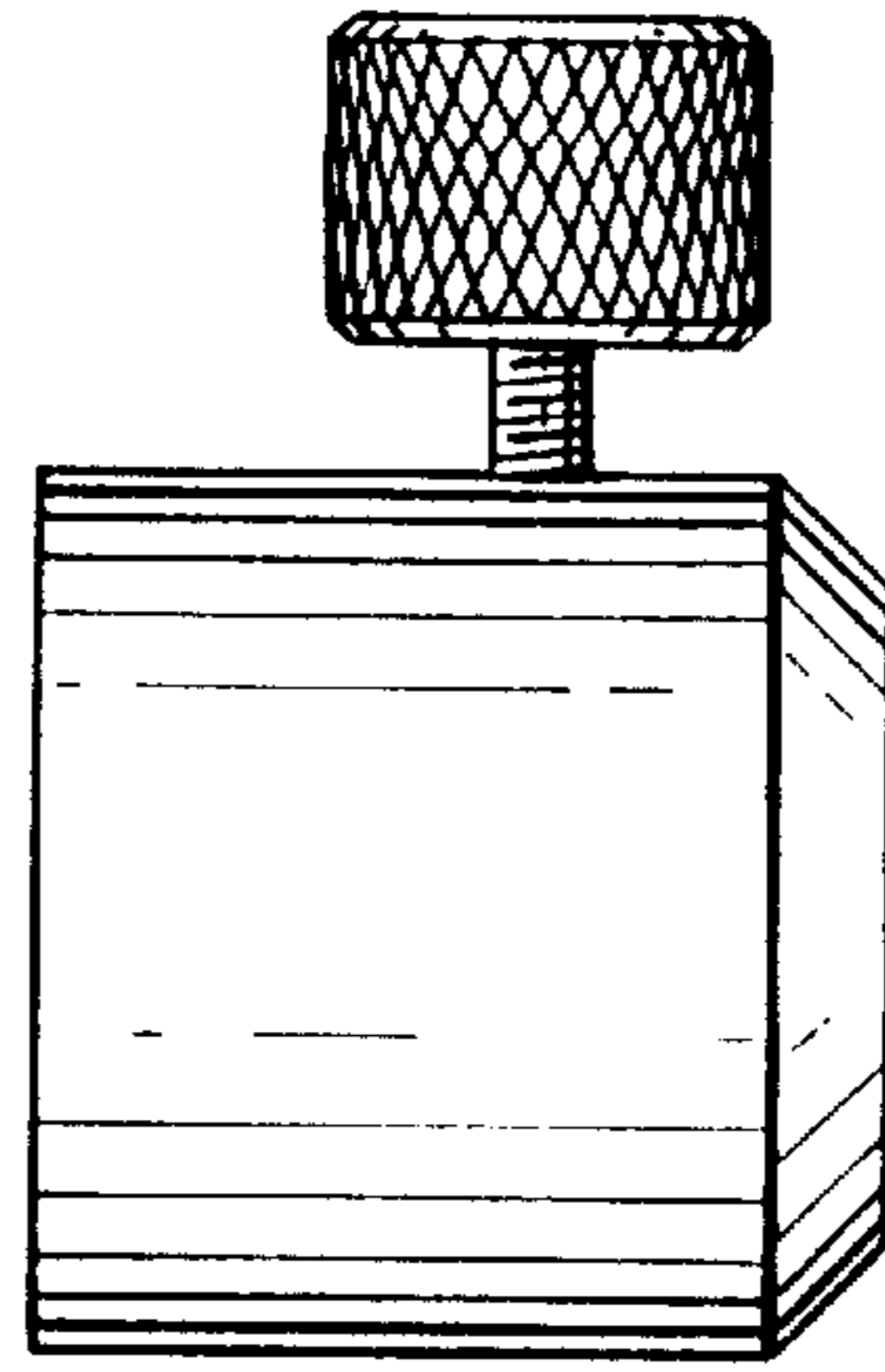


Fig. 8

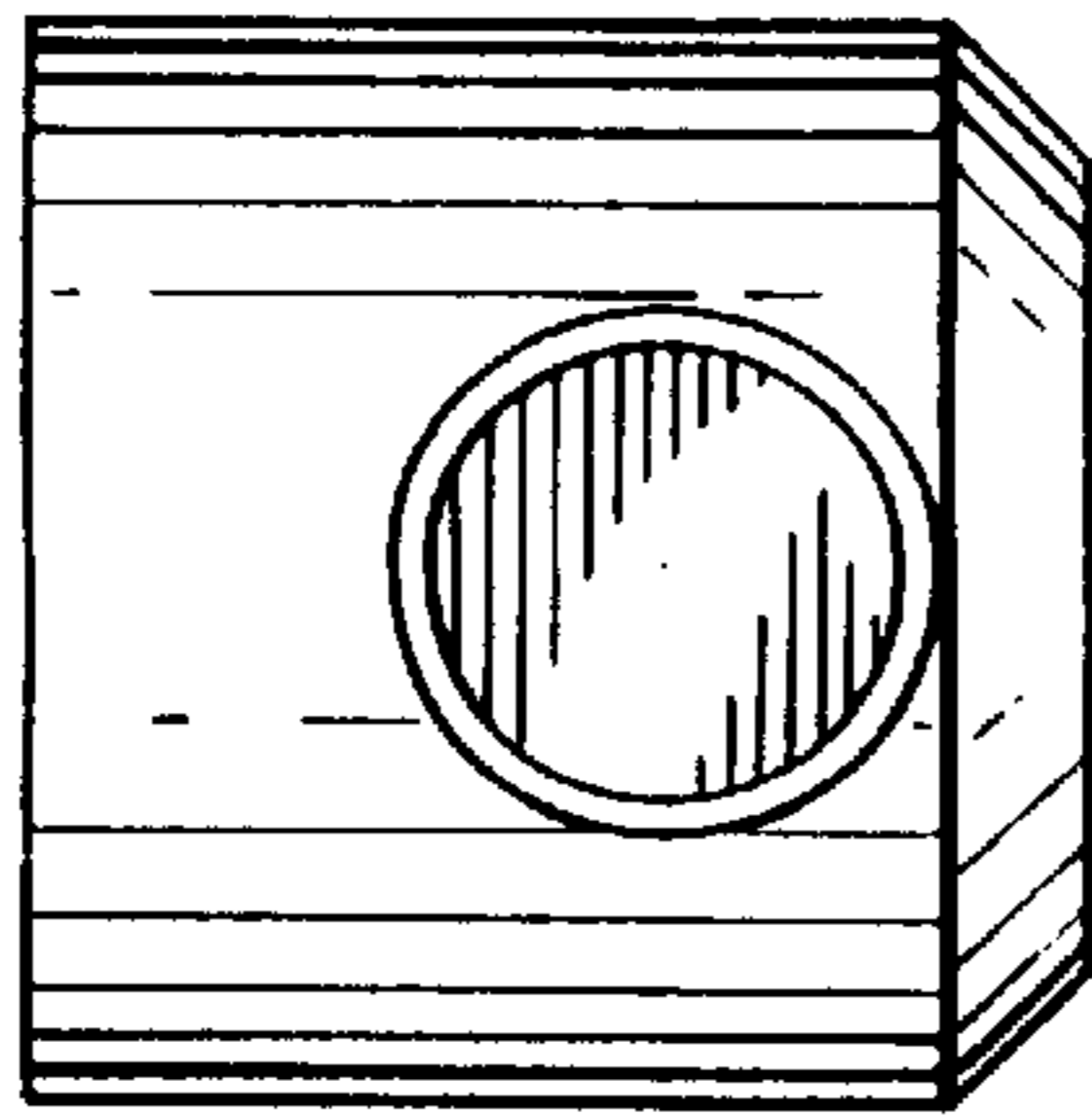


Fig. 9

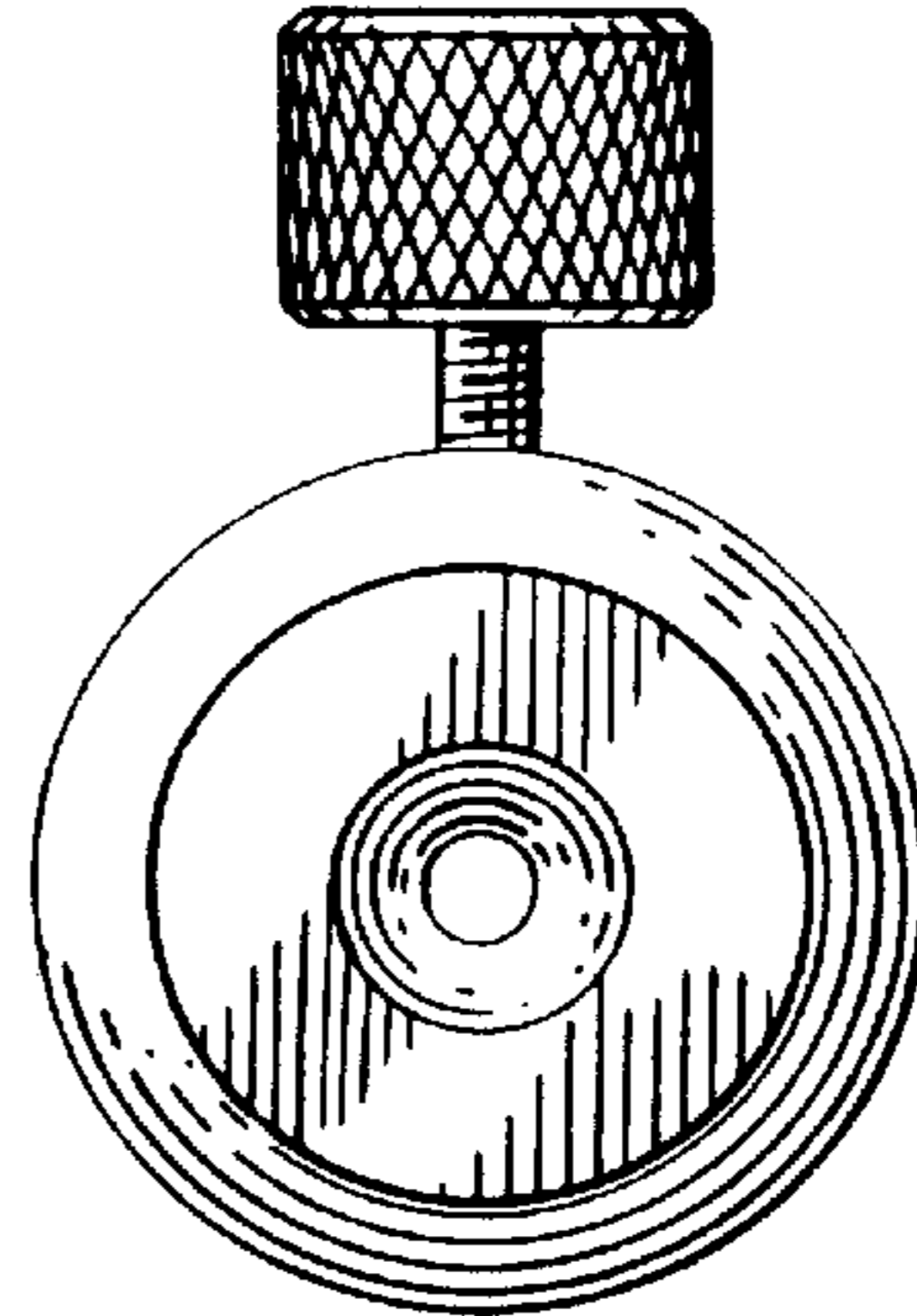


Fig. 10

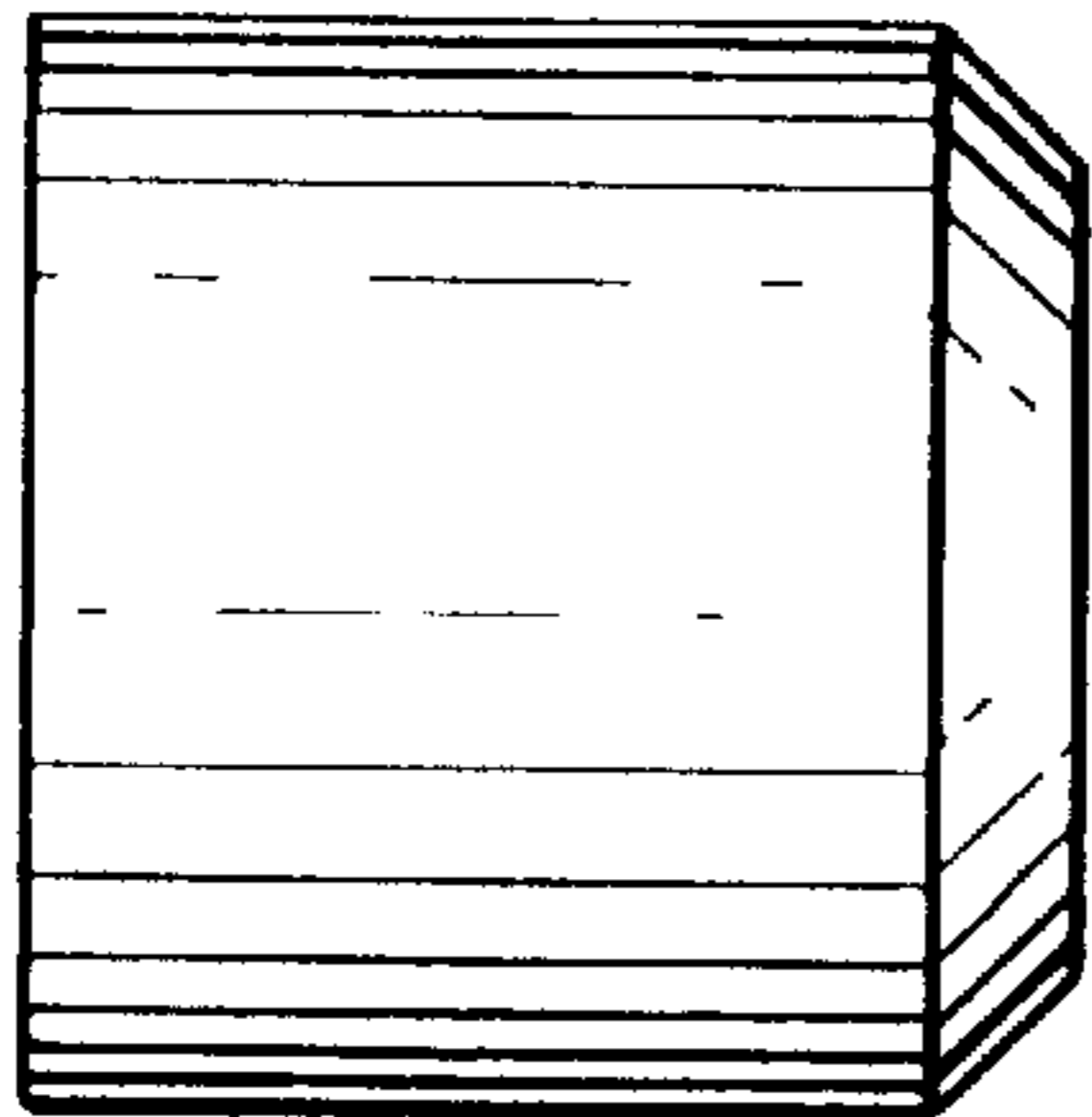


Fig. 12

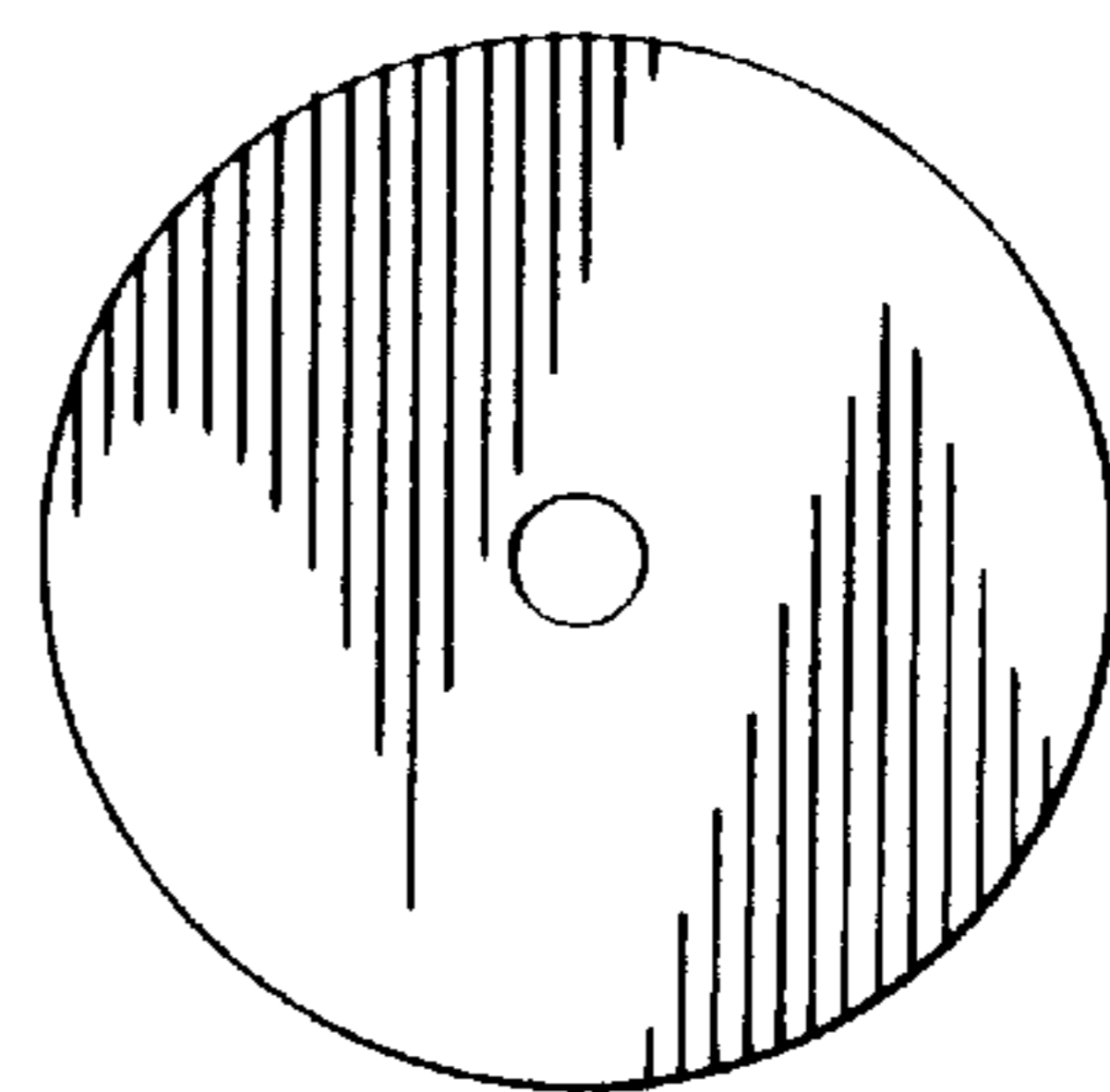


Fig. 11