



US00D434964S

United States Patent [19]

Korn et al.

[11] Patent Number: Des. 434,964

[45] Date of Patent: ** Dec. 12, 2000

[54] HANDLE

[75] Inventors: Francis E. Korn, Durham, Conn.;
Allen Epstein, Clifton, N.J.

[73] Assignee: The Durham Manufacturing
Company, Durham, Conn.

[**] Term: 14 Years

[21] Appl. No.: 29/121,546

[22] Filed: Apr. 7, 2000

3,291,266	12/1966	Komroff	190/115
4,374,555	2/1983	March	190/115 X
5,530,990	7/1996	Chen	16/115
5,833,065	11/1998	Burgess	206/373
5,855,408	1/1999	Rickabus	190/115 X

Primary Examiner—Louis S. Zarfaz
Assistant Examiner—Robert A. Delehanty
Attorney, Agent, or Firm—John H. Crozier

[57] CLAIM

The ornamental design for a handle, as shown and described.

DESCRIPTION

FIG. 1 is a left/top/front isometric view of a handle of our new design shown in an upright position, it being understood that the carrying case shown in broken lines is for illustrative purposes only and forms no part of the claimed design; FIG. 2 is a left/top/rear isometric view of the handle shown in a folded position thereof; FIG. 3 is an enlarged front elevational view thereof; FIG. 4 is an enlarged rear elevational view thereof; FIG. 5 is an enlarged top plan view thereof; FIG. 6 is an enlarged bottom plan view thereof; FIG. 7 is an enlarged left side view thereof; FIG. 8 is an enlarged right side view thereof; and, FIG. 9 is an enlarged left side cross-sectional elevational view taken along line "9—9" of FIG. 3 thereto.

Related U.S. Application Data

[62] Division of application No. 29/110,156, Sep. 1, 1999, Pat. No. Des. 426,761, which is a division of application No. 29/080,647, Dec. 12, 1997, Pat. No. Des. 417,080.

[51] LOC (7) Cl. 08-06

[52] U.S. Cl. D8/317; D3/318

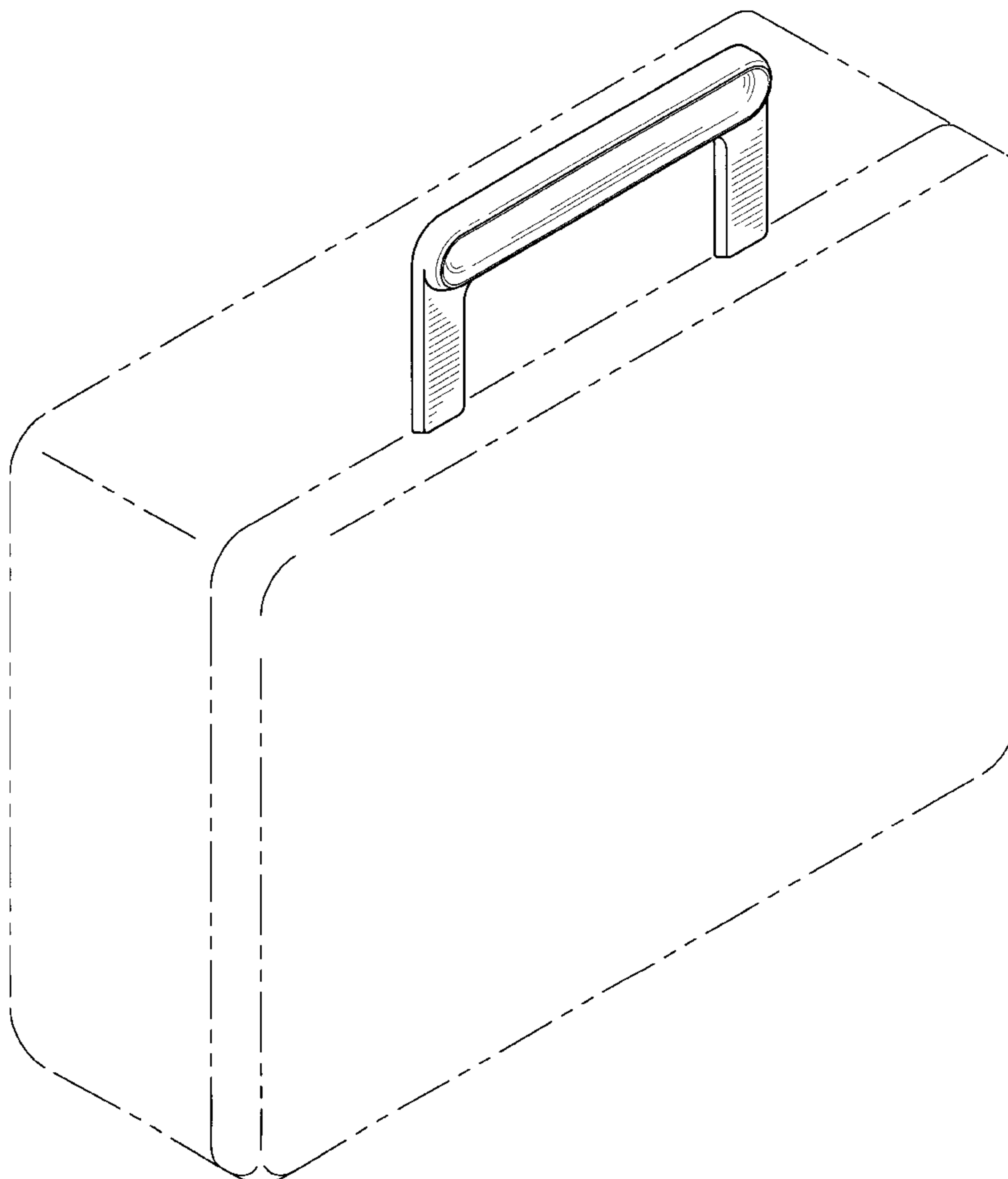
[58] Field of Search D8/300-302, 315-320;
D3/276, 279, 281-282, 291, 318; 16/114.1,
406, 408-410; 190/115-118, 900-902

[56] References Cited

U.S. PATENT DOCUMENTS

D. 221,737	9/1971	Rheinart	D8/306
D. 291,405	8/1987	Finesman et al.	D8/317

1 Claim, 4 Drawing Sheets



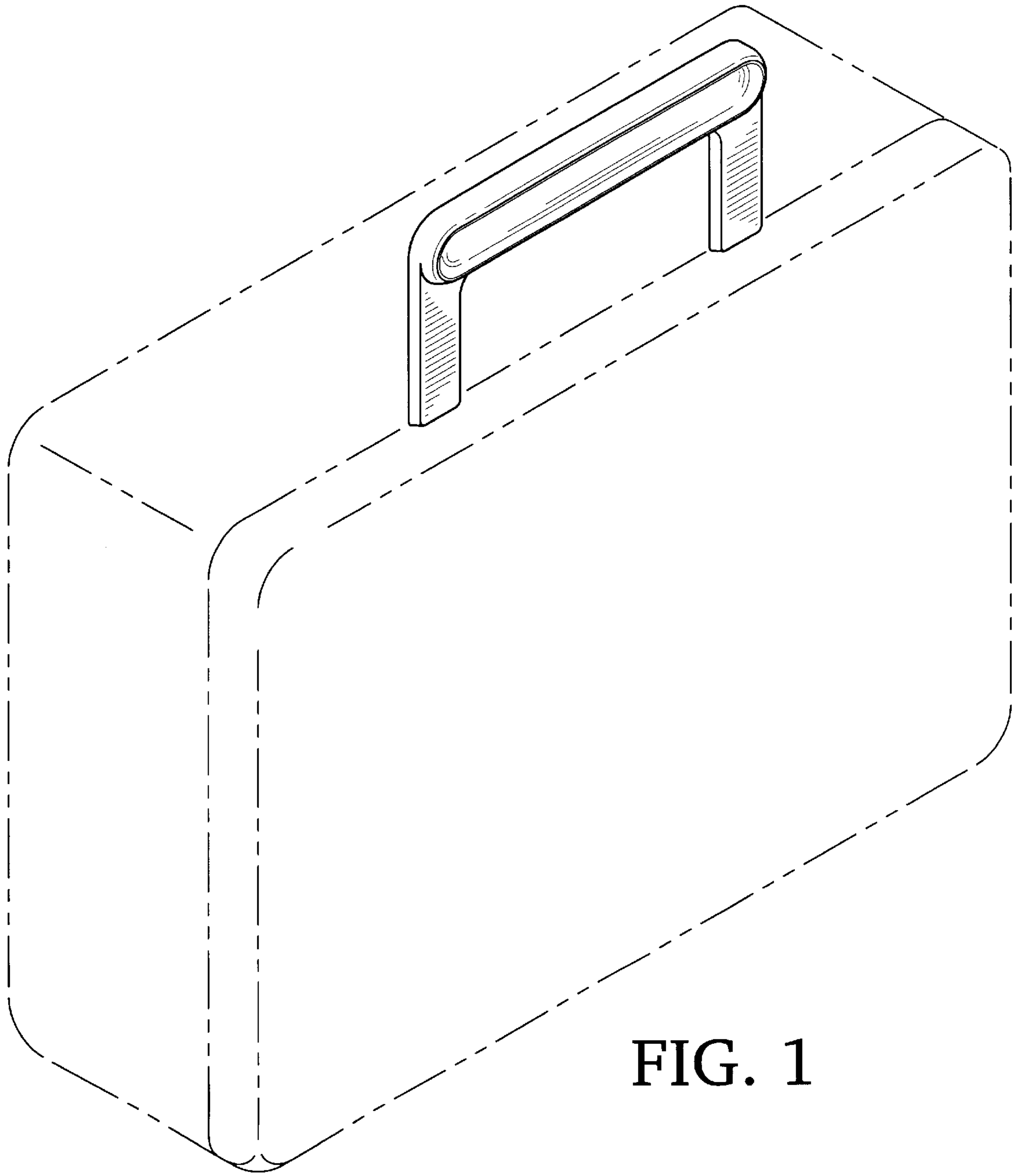


FIG. 1

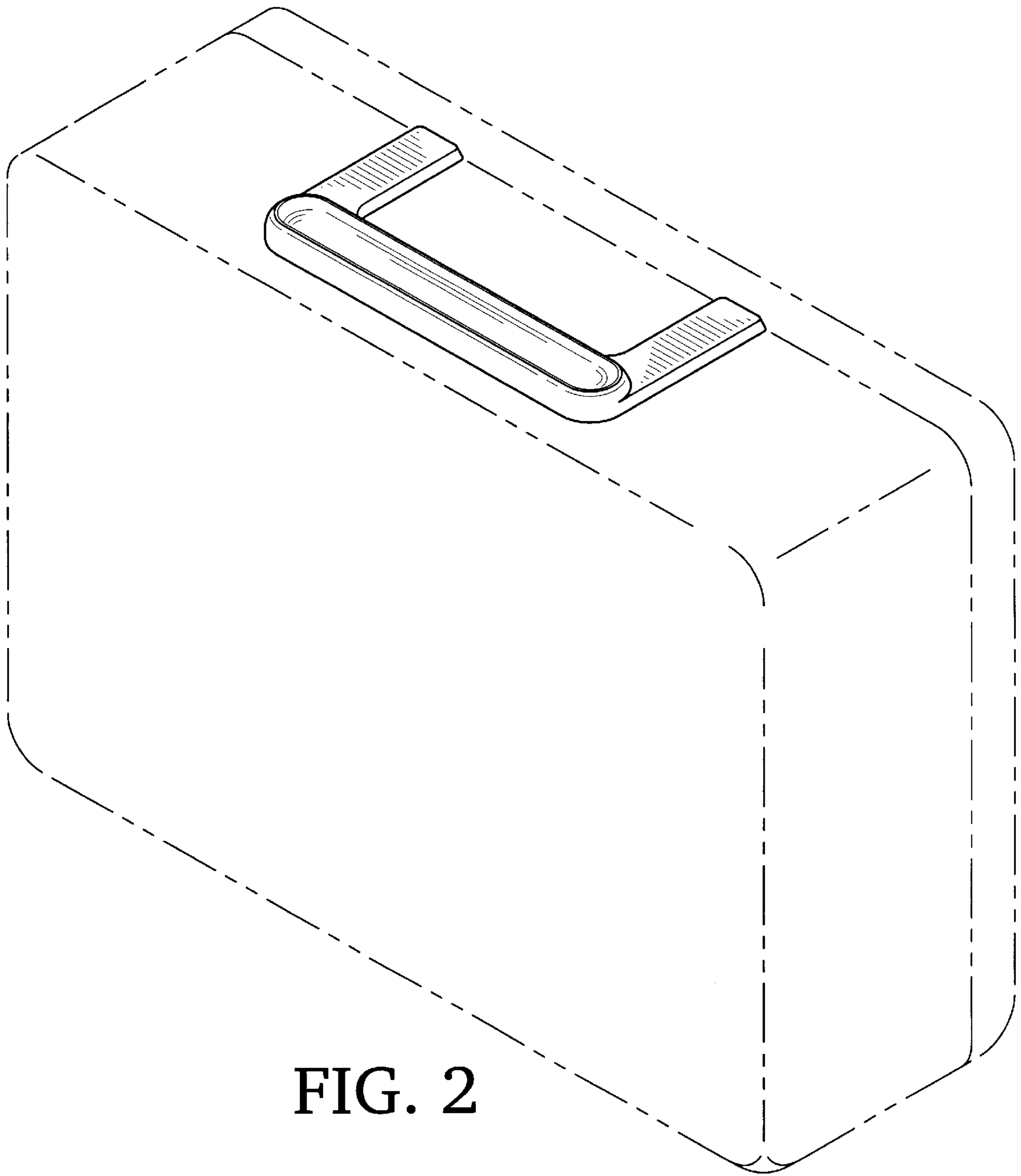


FIG. 2

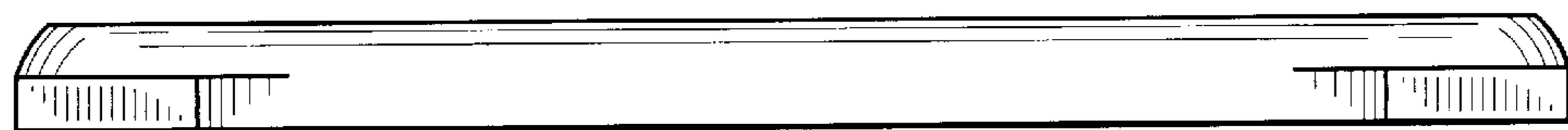
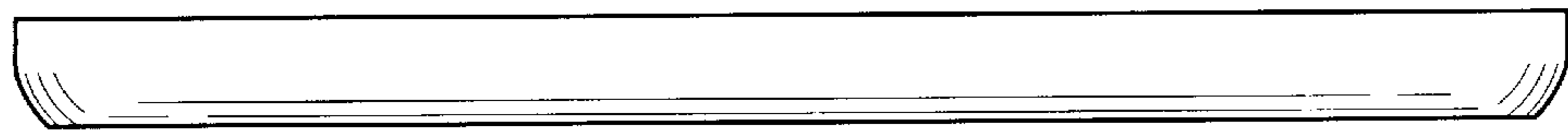
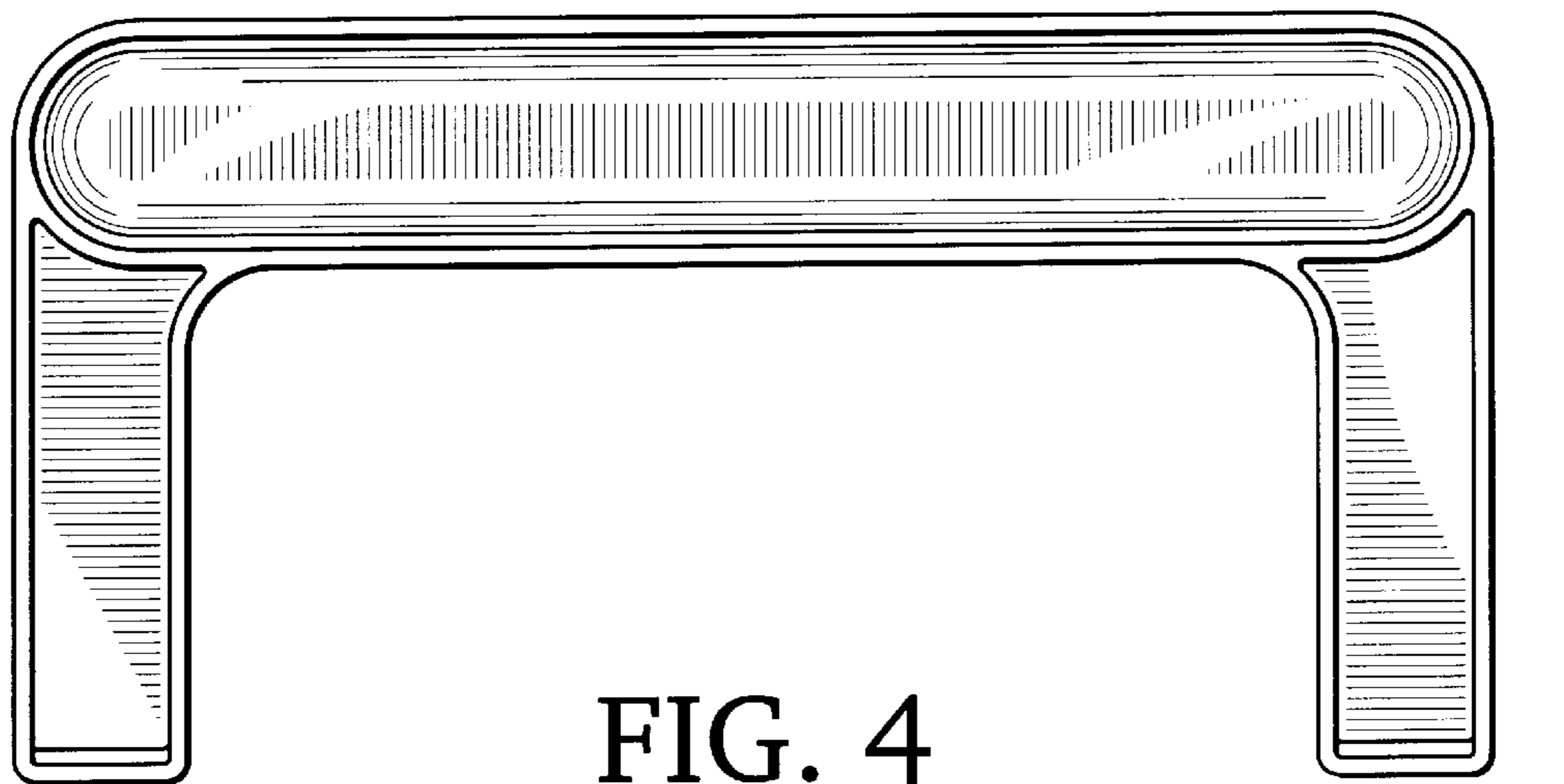
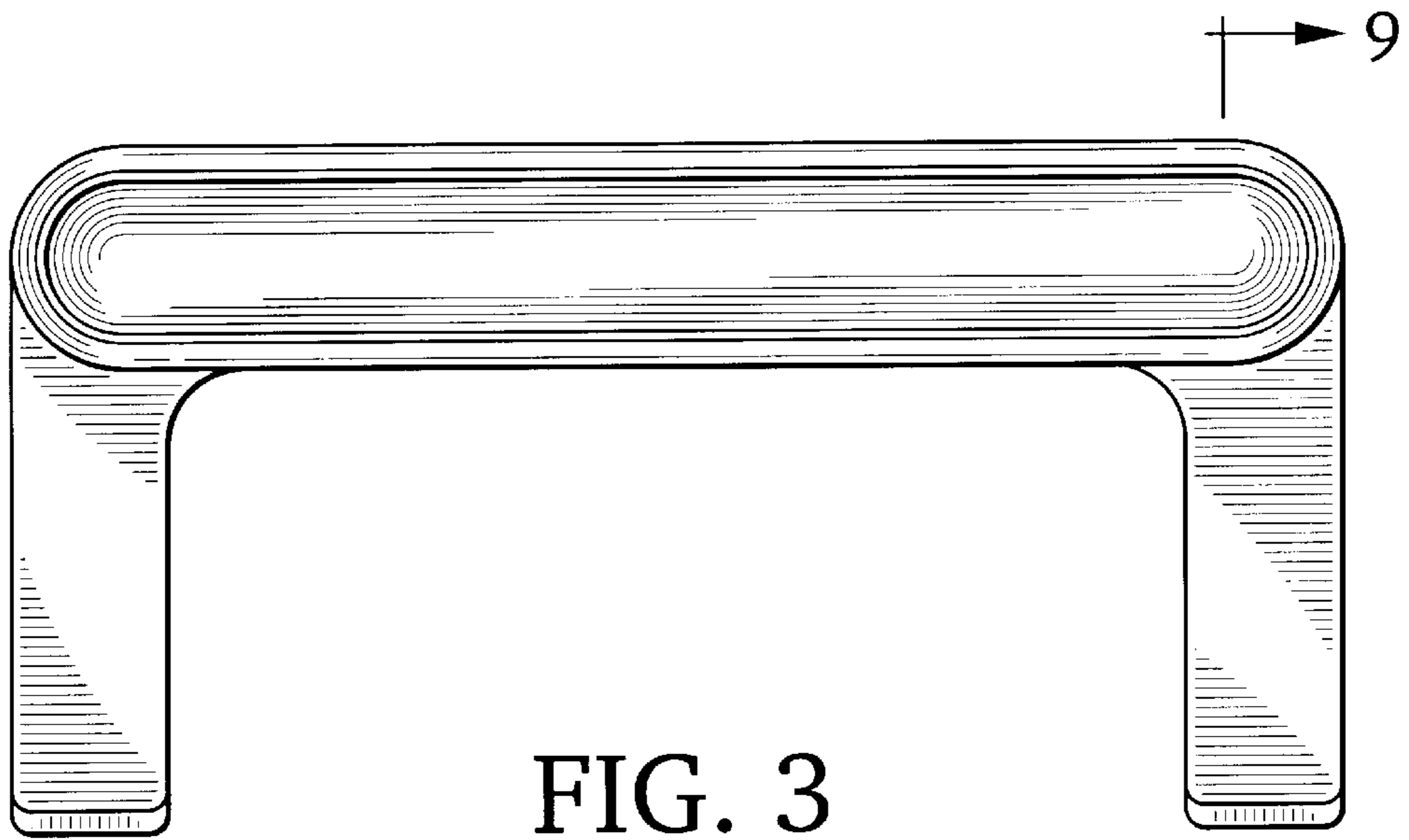




FIG. 7

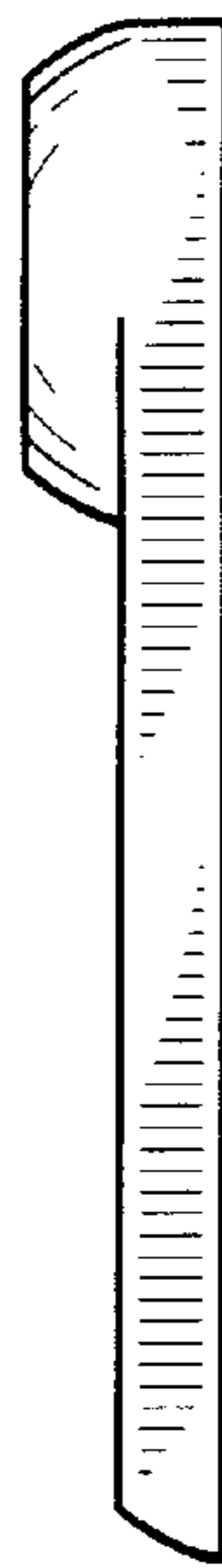


FIG. 8

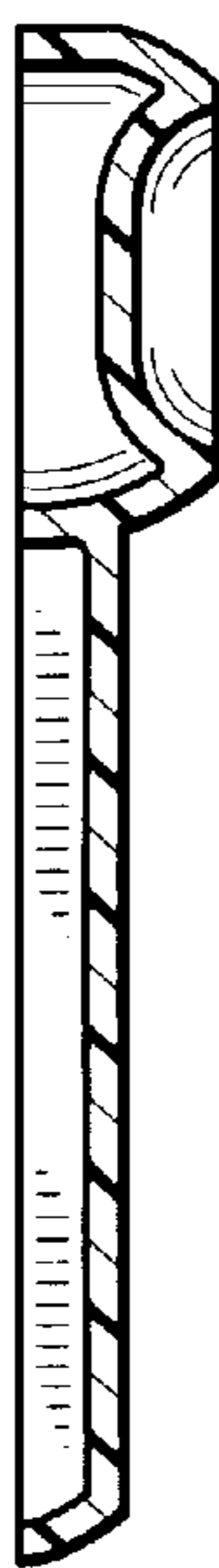


FIG. 9