



US00D434963S

United States Patent [19] Short

[11] **Patent Number: Des. 434,963**

[45] **Date of Patent: ** Dec. 12, 2000**

[54] **PULL**

[75] Inventor: **Kevin G. Short**, LaGrange, Ill.

[73] Assignee: **Newell Operating Company**, Freeport, Ill.

[**] Term: **14 Years**

[21] Appl. No.: **29/118,034**

[22] Filed: **Feb. 3, 2000**

[51] **LOC (7) Cl.** **08-06**

[52] **U.S. Cl.** **D8/316**

[58] **Field of Search** D8/300-302, 315-320,
D8/307, 310; 16/110.1, 412, 415, 414,
417

[56] **References Cited**

U.S. PATENT DOCUMENTS

- D. 194,968 4/1963 Stelma .
- D. 290,493 6/1987 Dragos D8/307
- 5,255,413 10/1993 Sabo .

OTHER PUBLICATIONS

Trimco Cat; p. 54A, pull 279.

Primary Examiner—B. J. Bullock

Attorney, Agent, or Firm—Foley & Lardner

[57] **CLAIM**

I claim the ornamental design for a pull, as shown and described.

DESCRIPTION

FIG. 1 is a perspective view of the pull according to a preferred embodiment.

FIG. 2 is a top plan view of the pull.

FIG. 3 is a front elevation view of the pull.

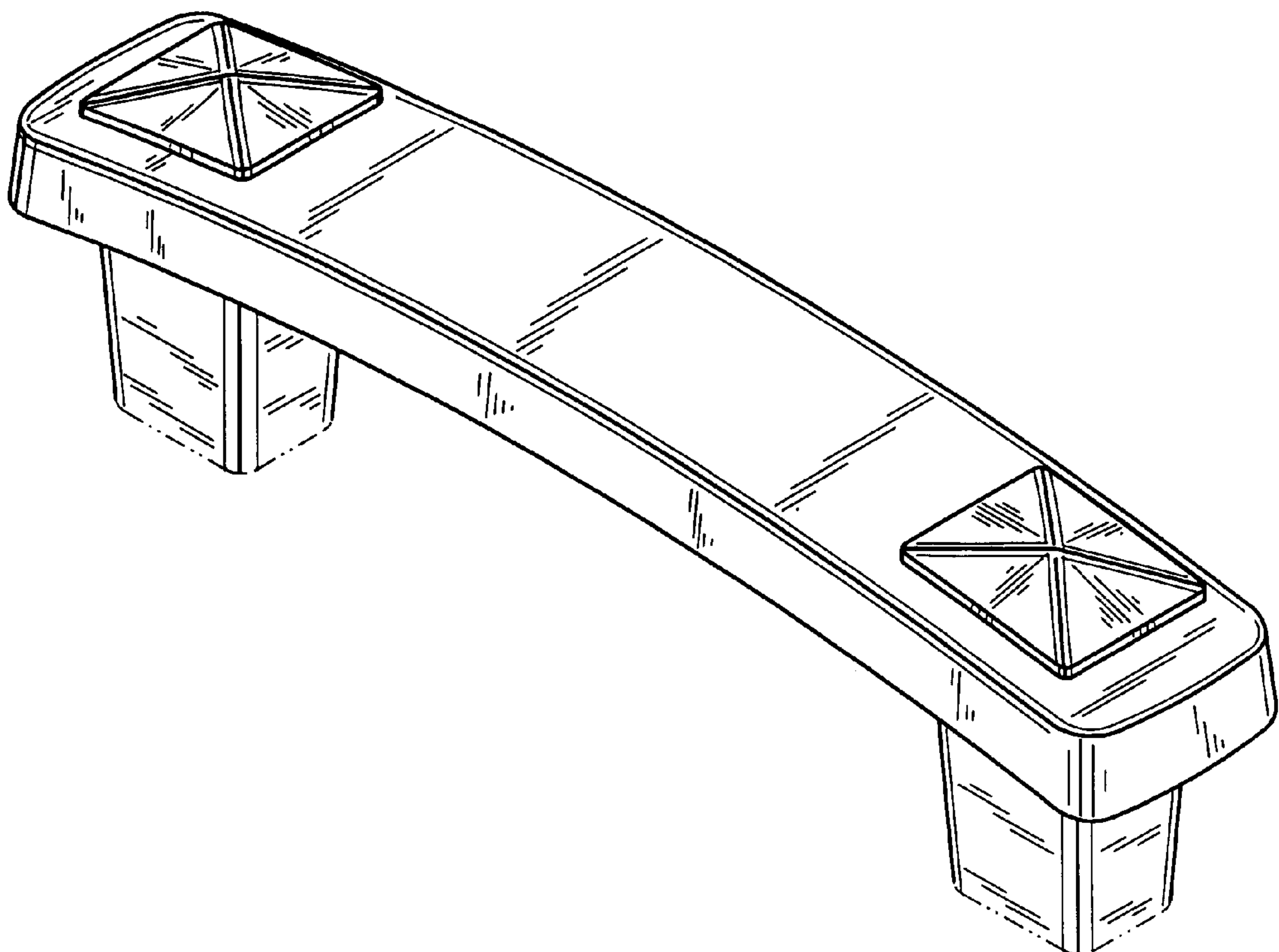
FIG. 4 is a bottom plan view of the pull; and,

FIG. 5 is a side elevation view of the pull.

The broken lines at the base of the stems and in the center of the bottom surface represent the bounds of the claim and all others are for illustrative purposes only. None of the broken lines form a part of the claimed design.

The surface(s) or portion(s) of the article not shown in the drawing or described in the specification form(s) no part of the claimed design.

1 Claim, 2 Drawing Sheets



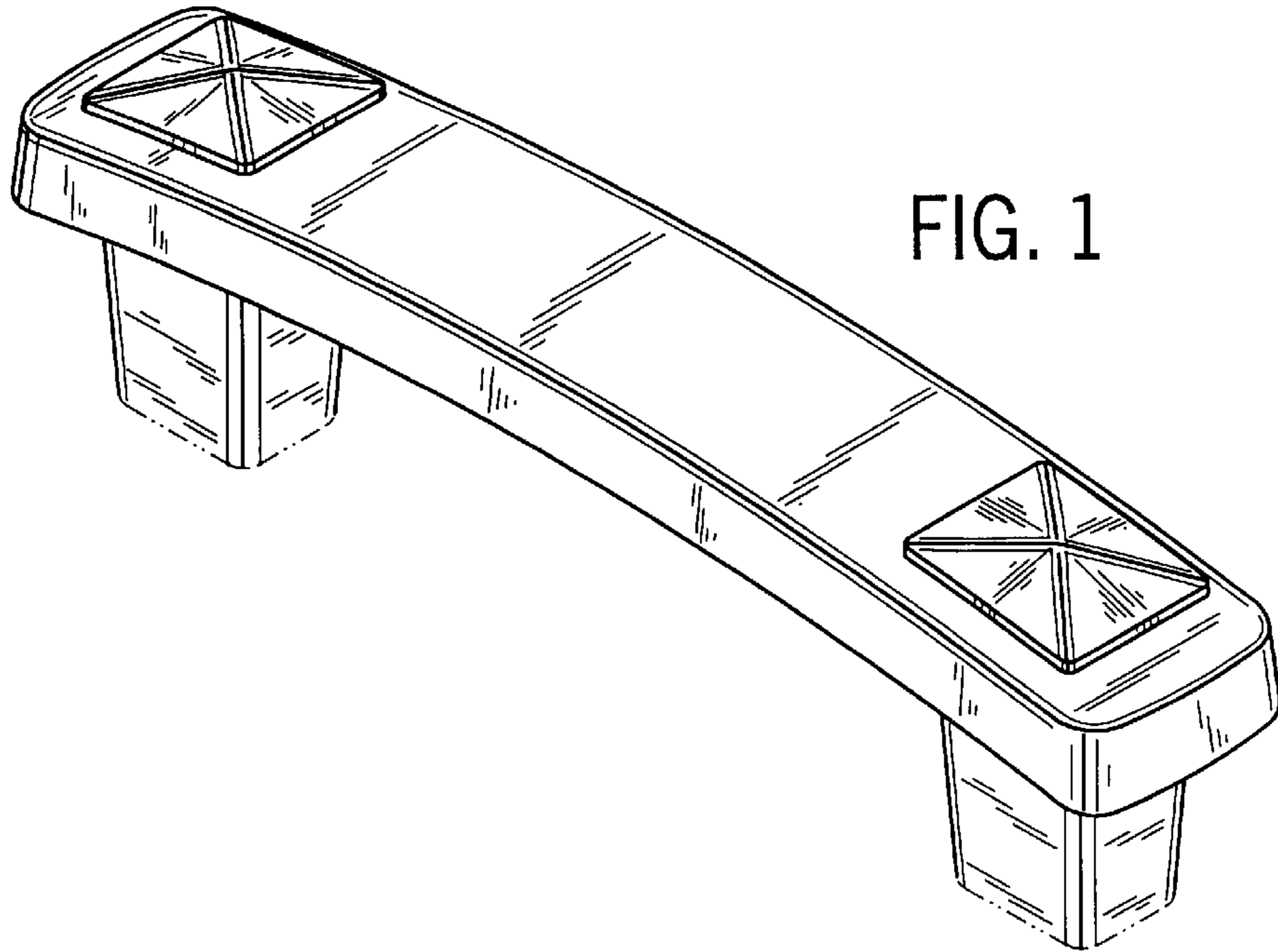


FIG. 1

FIG. 2

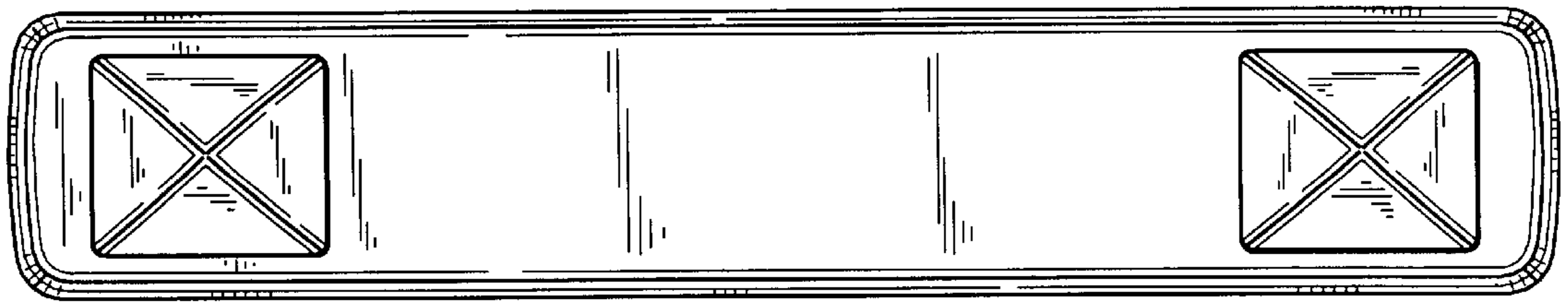


FIG. 3

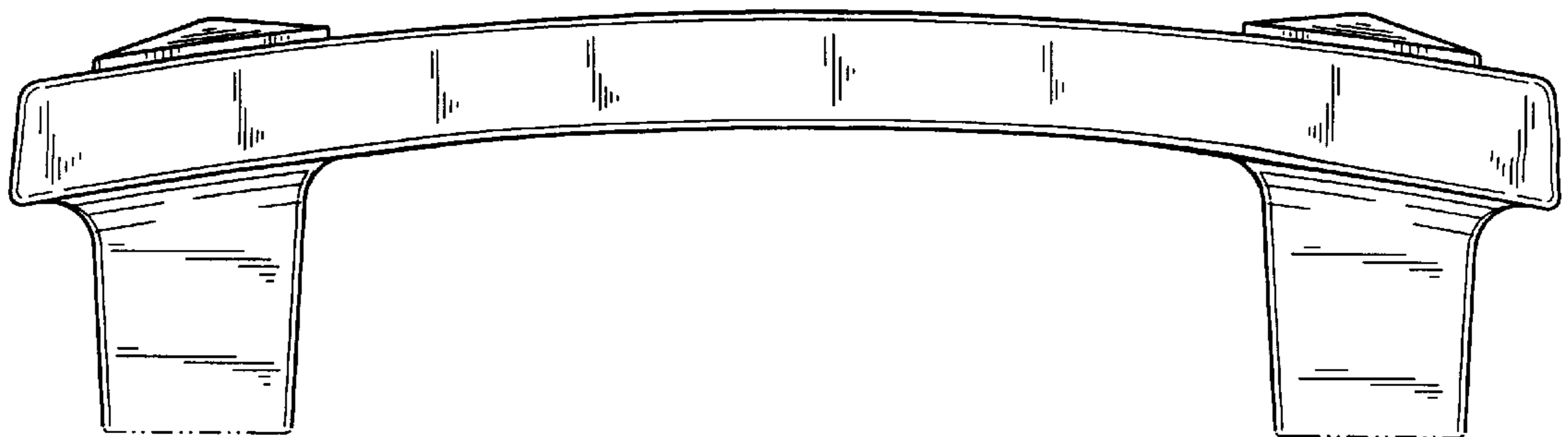


FIG. 4

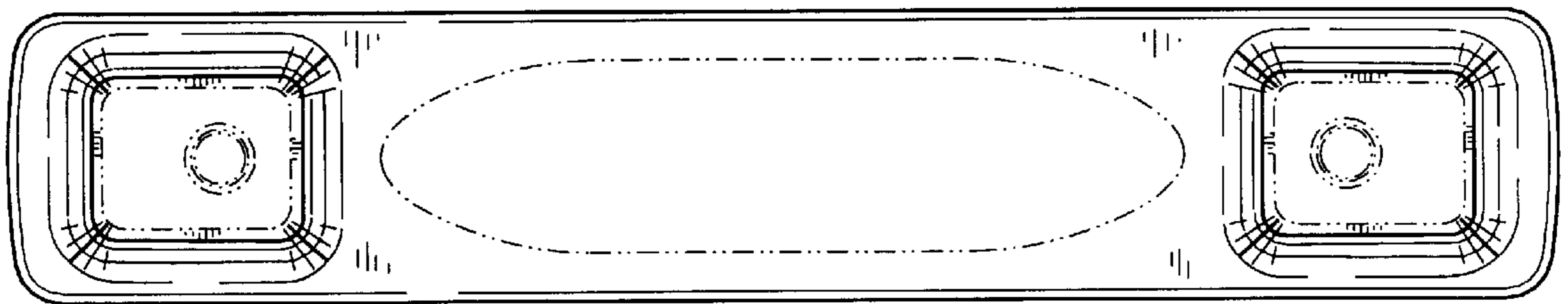
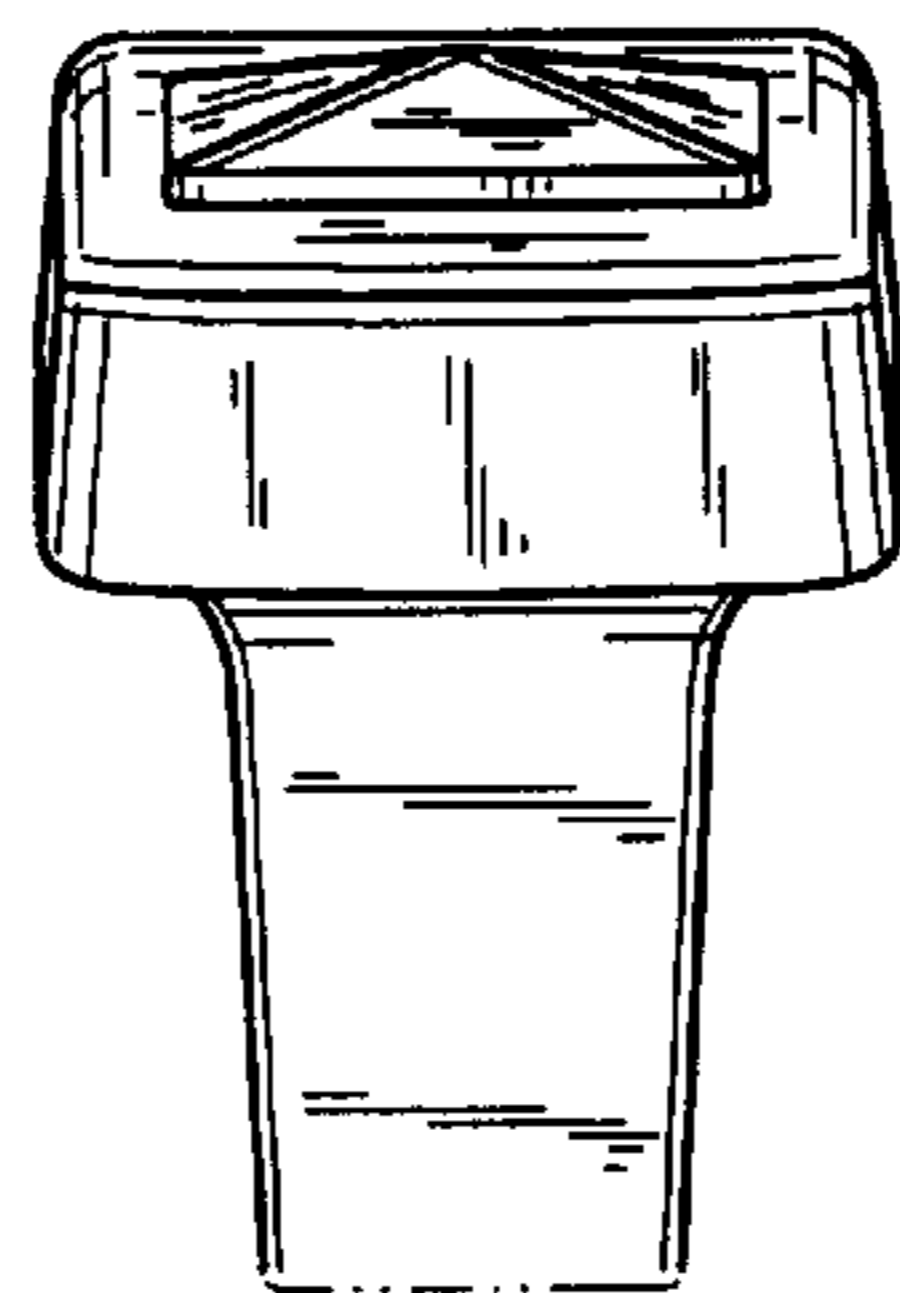


FIG. 5



UNITED STATES PATENT AND TRADEMARK OFFICE
CERTIFICATE OF CORRECTION

PATENT NO. : Des. 434,963
DATED : Dec. 12, 2000
INVENTOR(S) : Short

It is certified that error appears in the above-identified patent and that said Letters Patent is hereby corrected as shown below:

Delete "FIG. 4 is a bottom plan view of the pull; and," and replace with
—FIG. 4 is a bottom plan view of the pull.—

Signed and Sealed this
Fifteenth Day of May, 2001



Attest:

NICHOLAS P. GODICI

Attesting Officer

Acting Director of the United States Patent and Trademark Office