



US00D434962S

United States Patent [19]
Short

[11] **Patent Number: Des. 434,962**

[45] **Date of Patent: ** Dec. 12, 2000**

[54] **KNOB**

Amerock Cat. 109; p. 23; Knob 551.

[75] Inventor: **Kevin G. Short**, LaGrange, Ill.

Primary Examiner—B. J. Bullock
Attorney, Agent, or Firm—Foley & Lardner

[73] Assignee: **Newell Operating Company**, Freeport, Ill.

[**] Term: **14 Years**

[57] **CLAIM**

I claim the ornamental design for a knob, as shown and described.

[21] Appl. No.: **29/118,036**

[22] Filed: **Feb. 3, 2000**

DESCRIPTION

[51] **LOC (7) Cl.** **08-06**

FIG. 1 is a perspective view of the knob according to a preferred embodiment.

[52] **U.S. Cl.** **D8/310**

FIG. 2 is a top plan view of the knob.

[58] **Field of Search** D8/300-302, 307,
D8/310; D23/250-254; 16/414, 417, 441,
110.1

FIG. 3 is a front elevation view of the knob; and,

FIG. 4 is a bottom plan view of the knob.

[56] **References Cited**

The broken lines at the base of the stem represents the bounds of the claim and all others are for illustrative purposes only. None of the broken lines form a part of the claimed design.

U.S. PATENT DOCUMENTS

D. 51,333 10/1917 Heizmann .

OTHER PUBLICATIONS

The Ironmonger Cat; p. 41; Knob 556, ©1978.
Stock Molded Plastic Knobs by Rogan; p. 2; Knob RB-2120.

The surface(s) or portion(s) of the article not shown in the drawing or described in the specification form(s) no part of the claimed design.

1 Claim, 1 Drawing Sheet

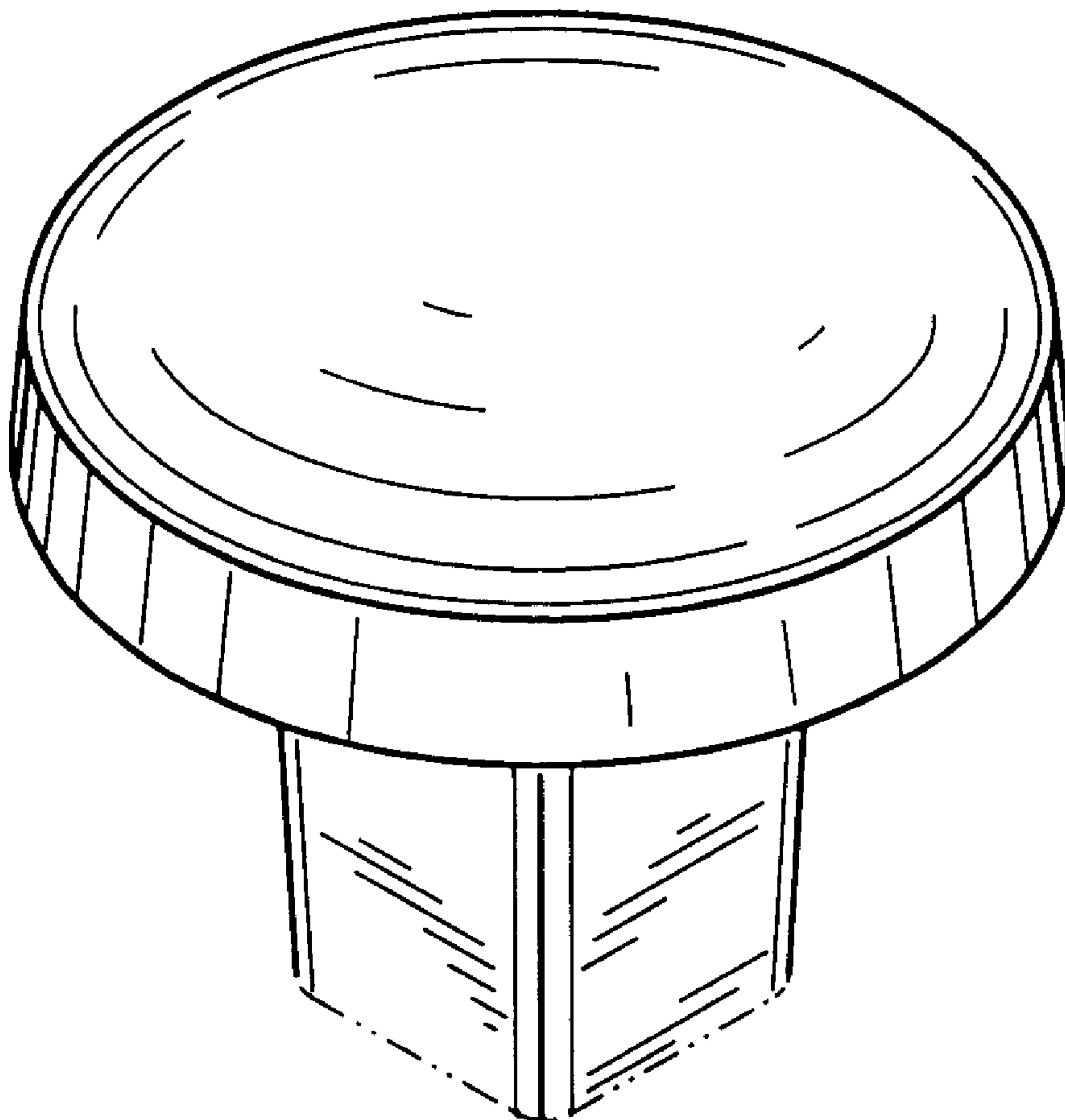


FIG. 1

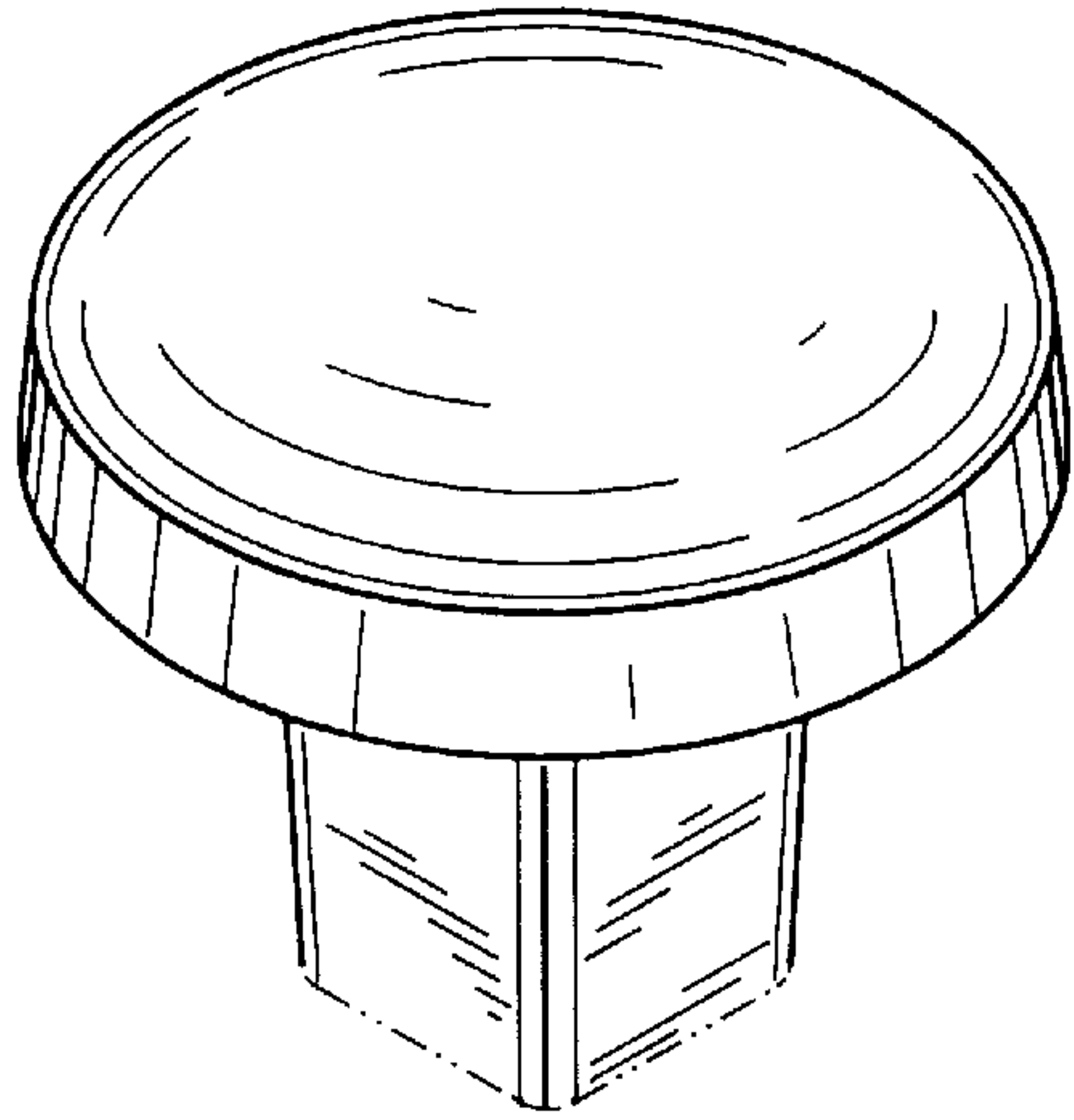


FIG. 2

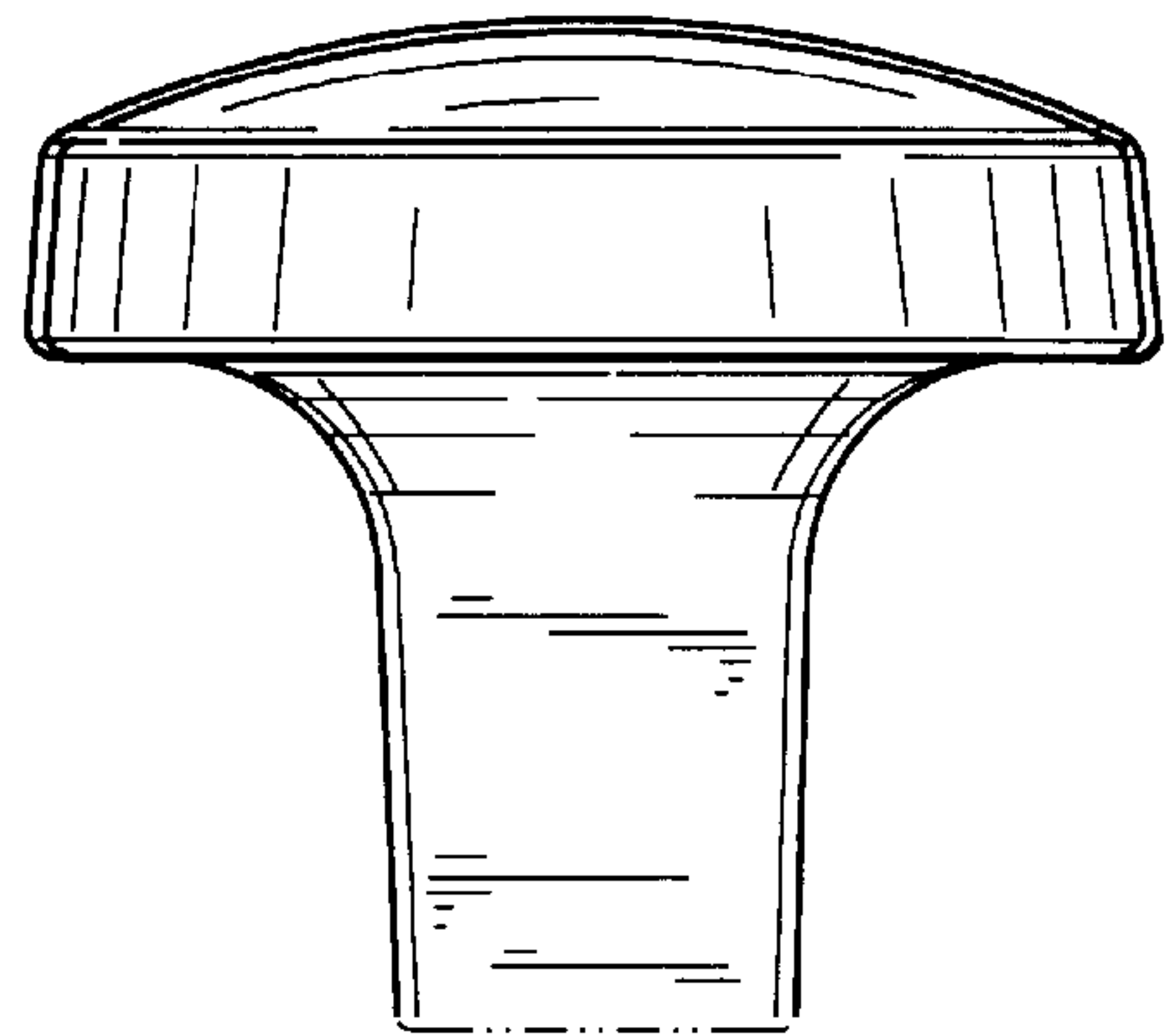
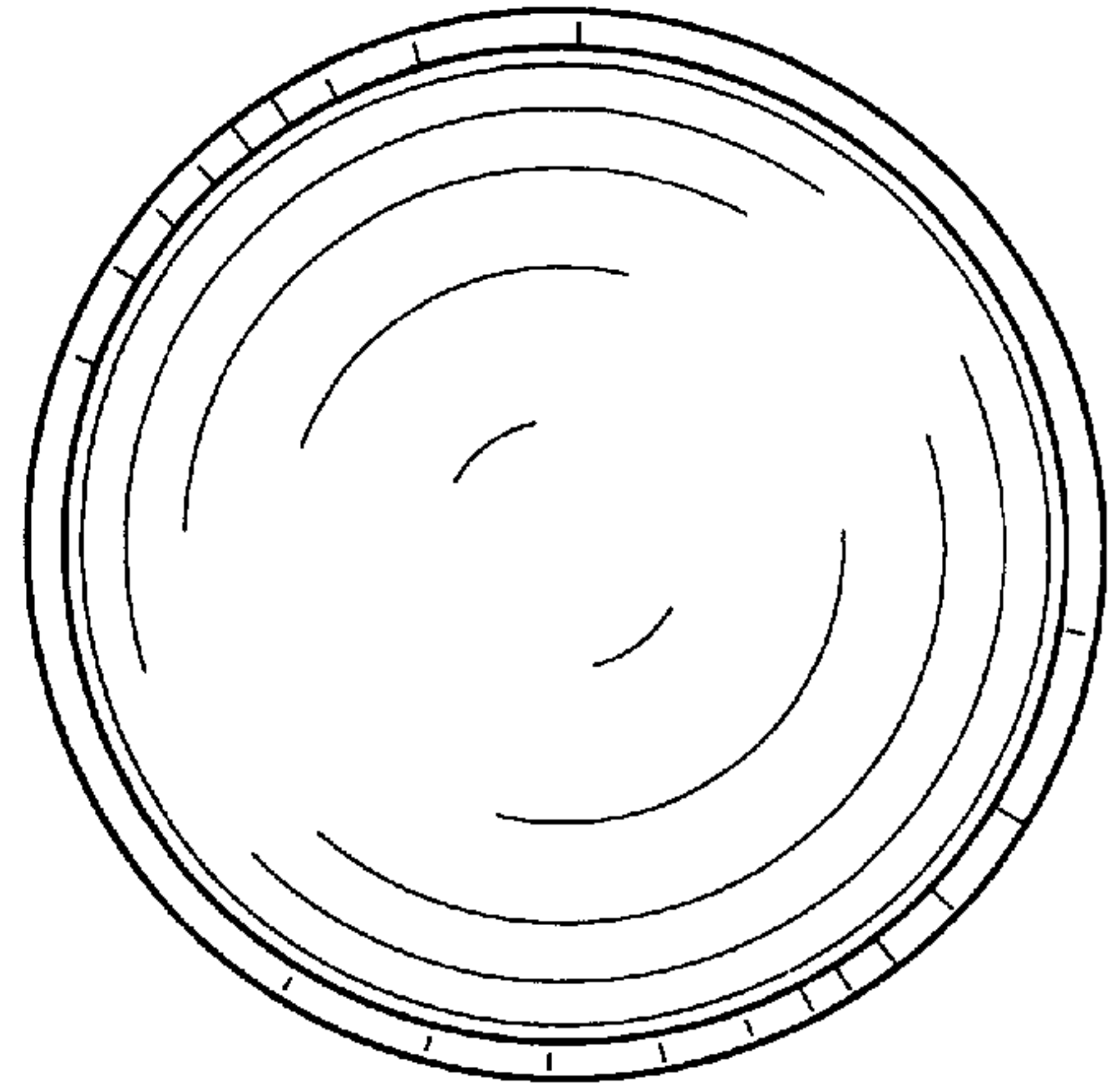


FIG. 3

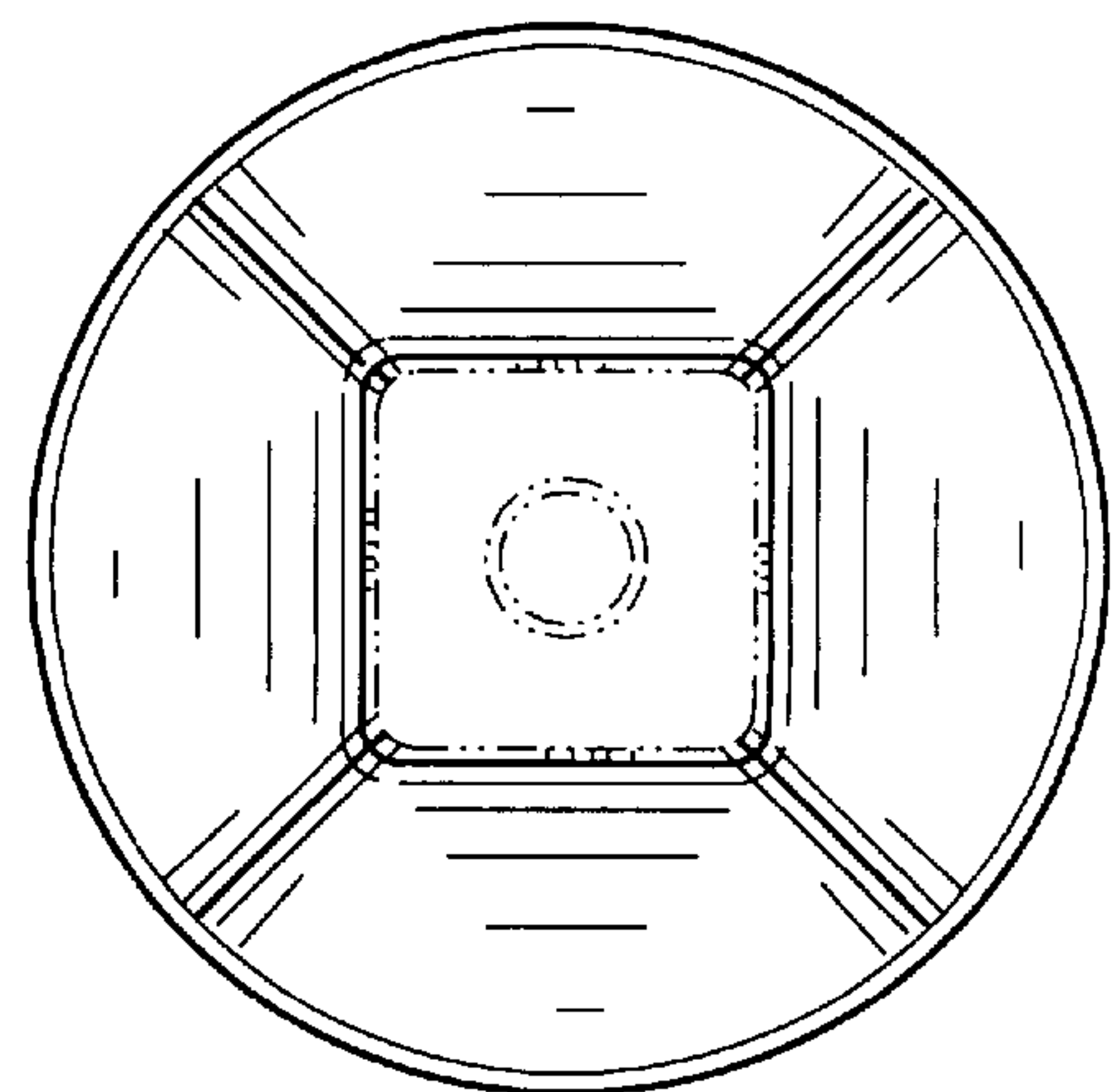


FIG. 4

UNITED STATES PATENT AND TRADEMARK OFFICE
CERTIFICATE OF CORRECTION

PATENT NO. : Des. 434,962
DATED : December 12, 2000
INVENTOR(S) : Short

Page 1 of 1

It is certified that error appears in the above-identified patent and that said Letters Patent is hereby corrected as shown below:

Delete "Fig. 3 is a front elevation view of the knob; and," and replace with --FIG. 3 is a front elevation view of the knob.--

Signed and Sealed this
Twelfth Day of June, 2001

Nicholas P. Godici

Attest:

Attesting Officer

NICHOLAS P. GODICI
Acting Director of the United States Patent and Trademark Office