



US00D434961S

United States Patent [19]

Elsener, Sr.

[11] Patent Number: **Des. 434,961**

[45] Date of Patent: **** Dec. 12, 2000**

[54] **TRANSLUCENT SCALE FOR A POCKET TOOL**

[75] Inventor: **Carl S. Elsener, Sr.**, Ibach-Schwyz, Switzerland

[73] Assignee: **Victorinox AG**, Switzerland

[**] Term: **14 Years**

[21] Appl. No.: **29/116,566**

[22] Filed: **Jan. 5, 2000**

[51] **LOC (7) Cl.** **08-05**

[52] **U.S. Cl.** **D8/107; D8/105**

[58] **Field of Search** D8/105, 26, 99, D8/55, 81, 87, 98, 107; 30/161, 164, 408, 147, 153, 152, 155, 125; 7/118, 125-135, 138, 143, 164, 170, 128; 81/177.1, 177.2, 440, 3.35, 177.6, 427.5

[56] References Cited

U.S. PATENT DOCUMENTS

D. 308,462	6/1990	Komatsu	D8/105
D. 333,252	2/1993	Pogue	D8/99
D. 350,271	9/1994	Landy et al.	D8/99
D. 364,327	11/1995	Graham	D8/105
D. 382,190	8/1997	Blackston et al.	D8/107
D. 390,440	2/1998	Kayson et al.	D8/99
390,633	10/1888	Weck et al.	30/153
D. 407,620	4/1999	Cachot	D8/105
D. 410,189	5/1999	Wehrs et al.	D8/105
D. 419,851	2/2000	Cheng	D8/107
D. 424,907	5/2000	Wonderley	D8/99

613,698	11/1898	Martin	30/152 X
1,015,026	1/1912	Jackson et al.	30/152 X
1,828,121	10/1931	Adam et al.	7/128
2,718,695	9/1955	Elsener	30/152
4,539,749	9/1985	Hyeong-Woon	30/147
4,854,045	8/1989	Schaub	30/155
4,882,841	11/1989	Margolis	30/125
5,964,035	10/1999	Poehlmann	30/161
6,047,619	4/2000	Anderson et al.	8/440
6,085,374	7/2000	Richey	7/118

Primary Examiner—Jeffrey Asch
Attorney, Agent, or Firm—Pennie & Edmonds LLP

[57] CLAIM

The ornamental design for a translucent scale for a pocket tool, as shown and described.

DESCRIPTION

FIG. 1 is a perspective view of a translucent scale for a pocket tool showing our new design, the remainder of the pocket tool being shown in broken lines in this Fig. and FIGS. 2-7 is for environment purposes only and not constituting a part of the claimed design;

FIG. 2 is a right end view thereof;

FIG. 3 is a bottom plan view thereof;

FIG. 4 is a rear elevational view thereof;

FIG. 5 is a top plan view thereof;

FIG. 6 is a front elevational view thereof;

FIG. 7 is a left end view thereof;

FIG. 8 is an enlarged plan view along line 8-8 of FIG. 6; and,

FIG. 9 is an enlarged plan view along line 9-9 of FIG. 6.

1 Claim, 3 Drawing Sheets

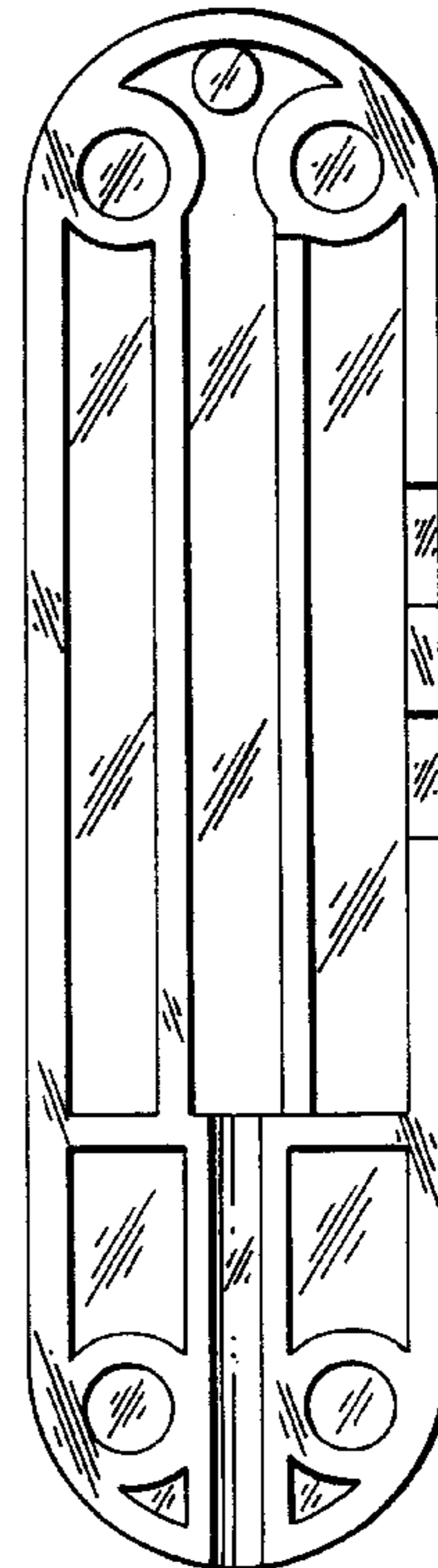
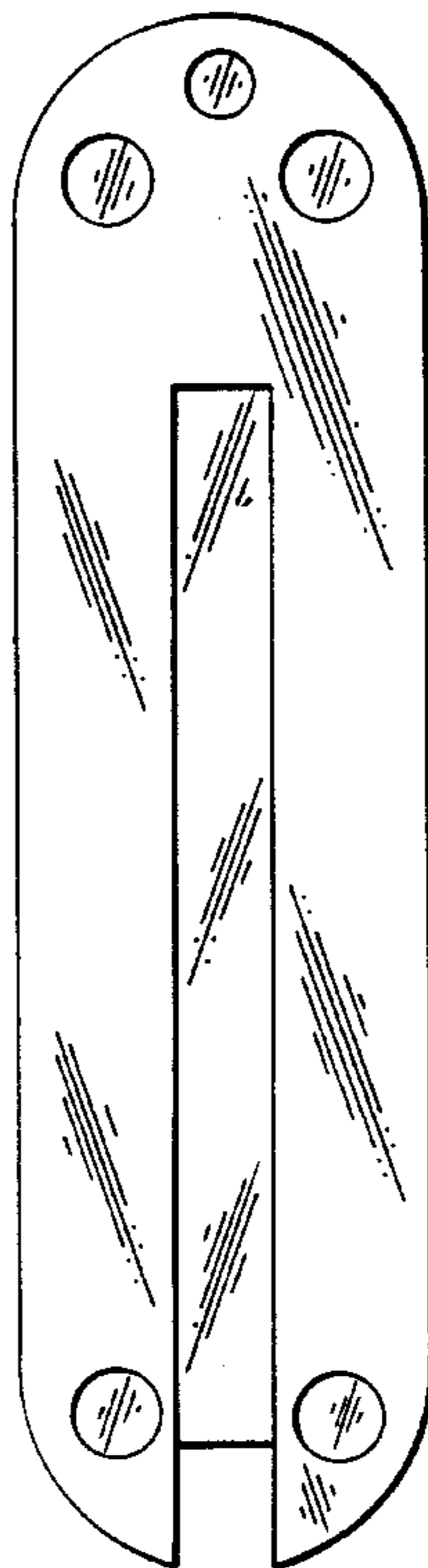
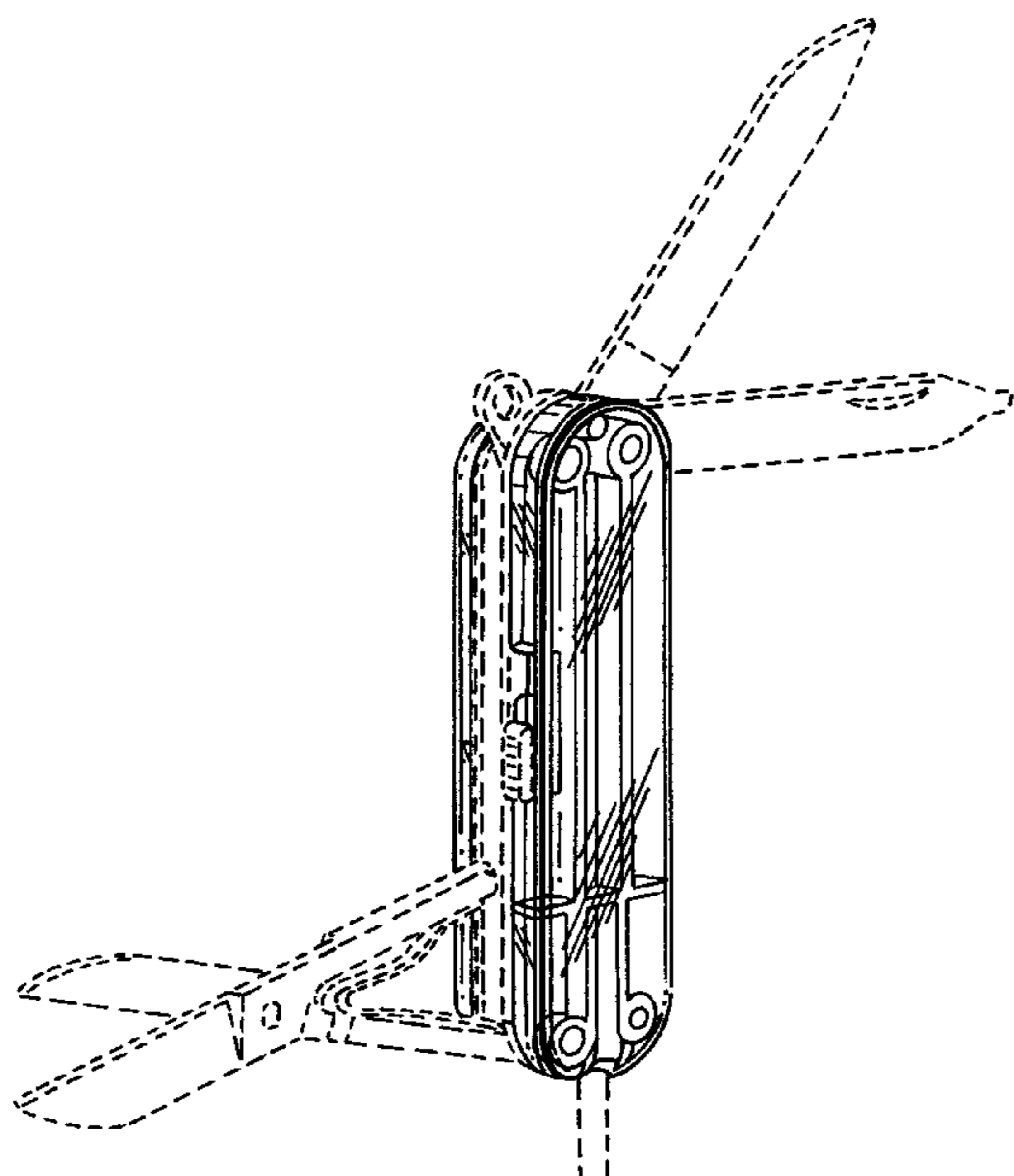


FIG. 1

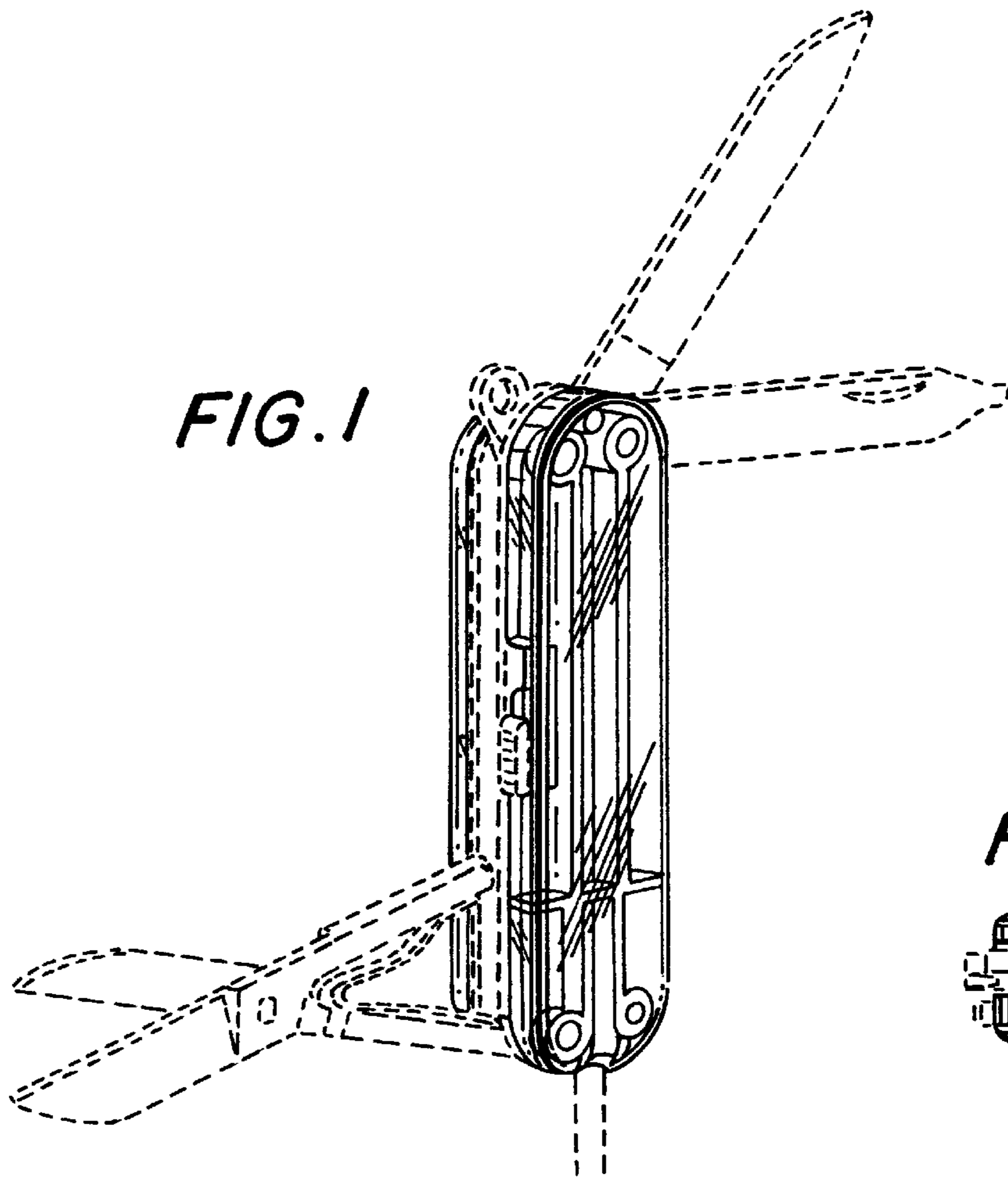


FIG. 2

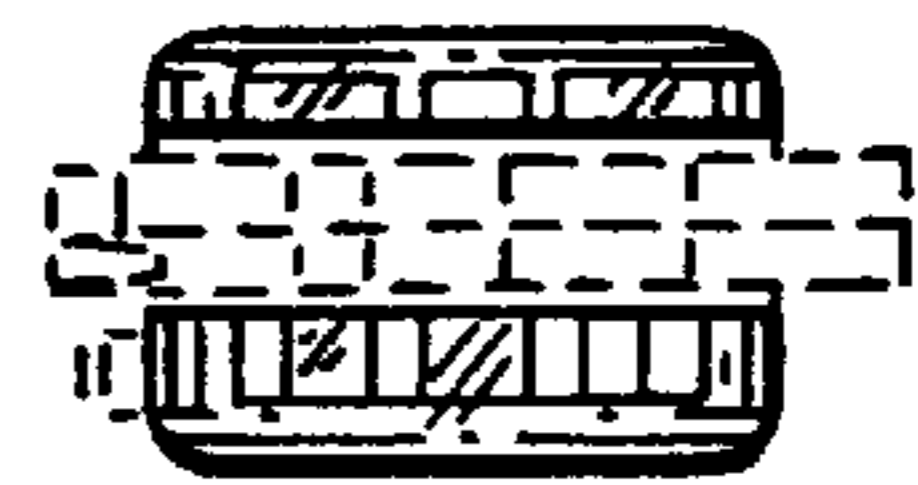


FIG. 3

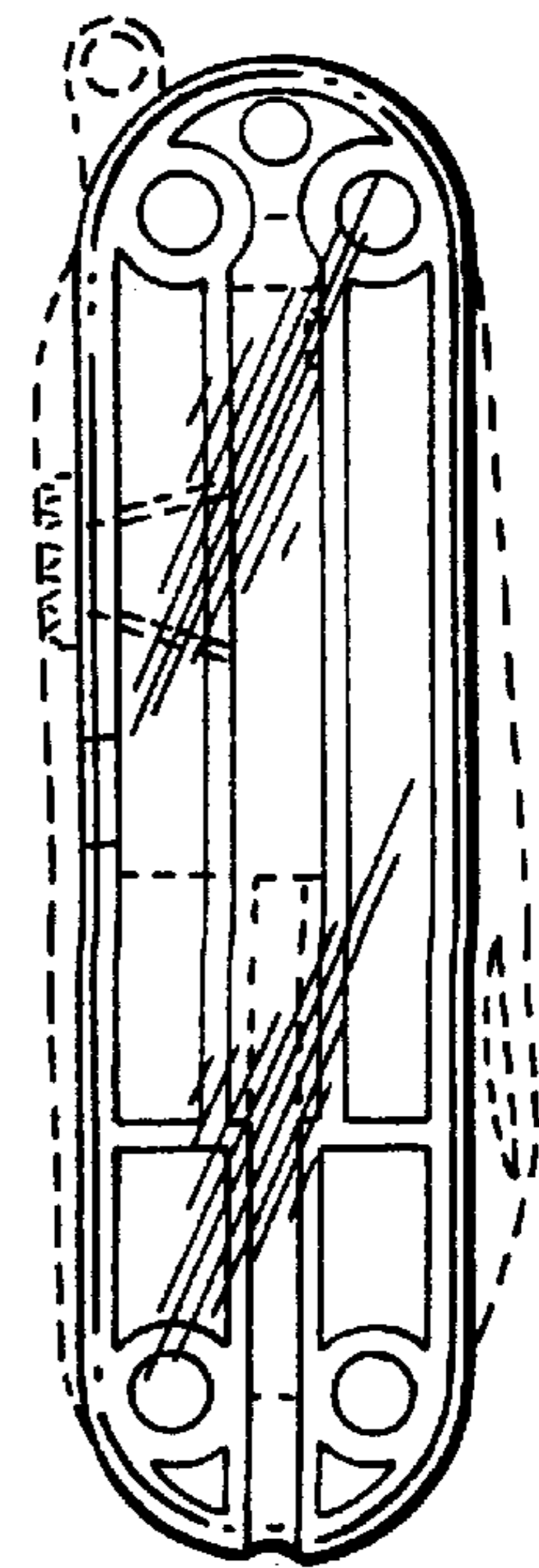


FIG. 4

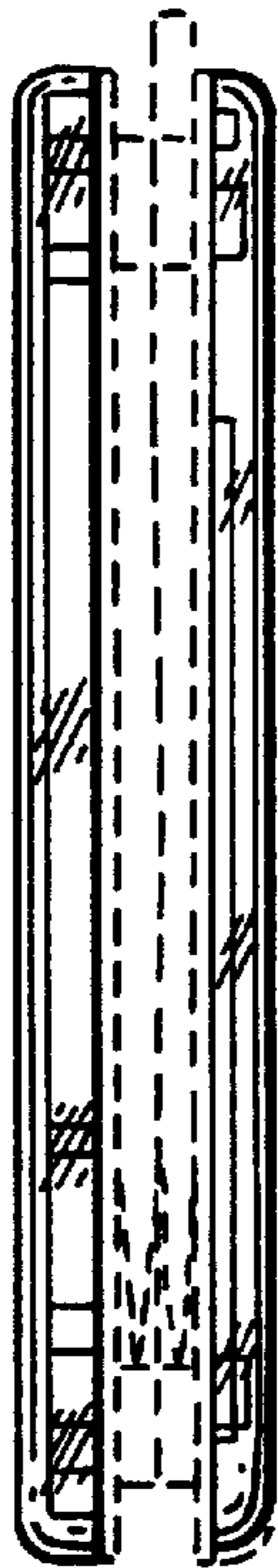


FIG. 5

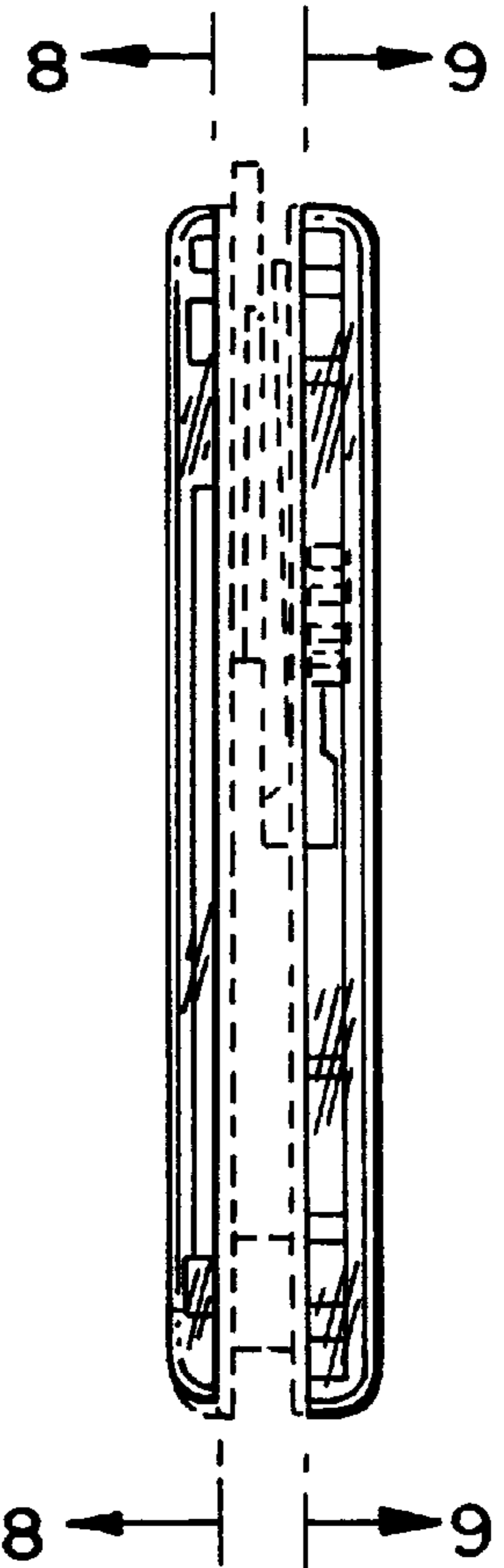
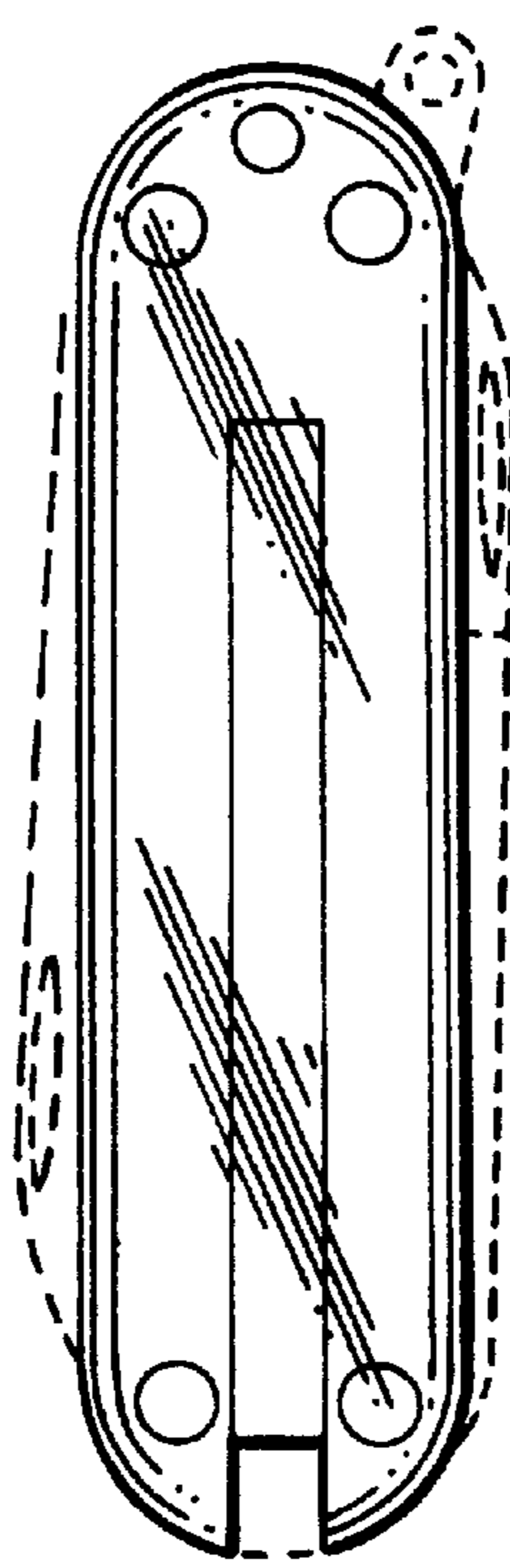


FIG. 6

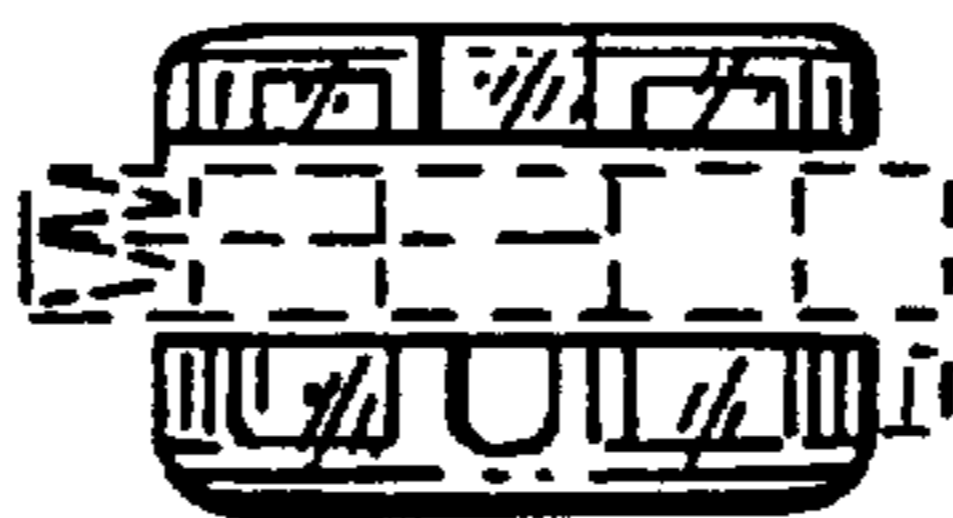


FIG. 7

FIG. 8

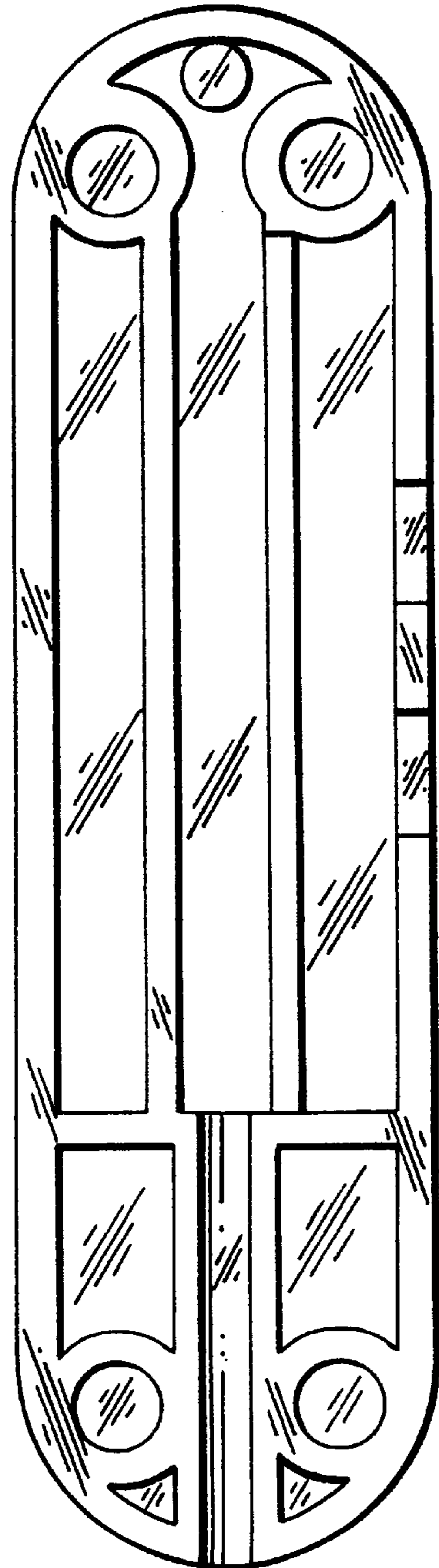
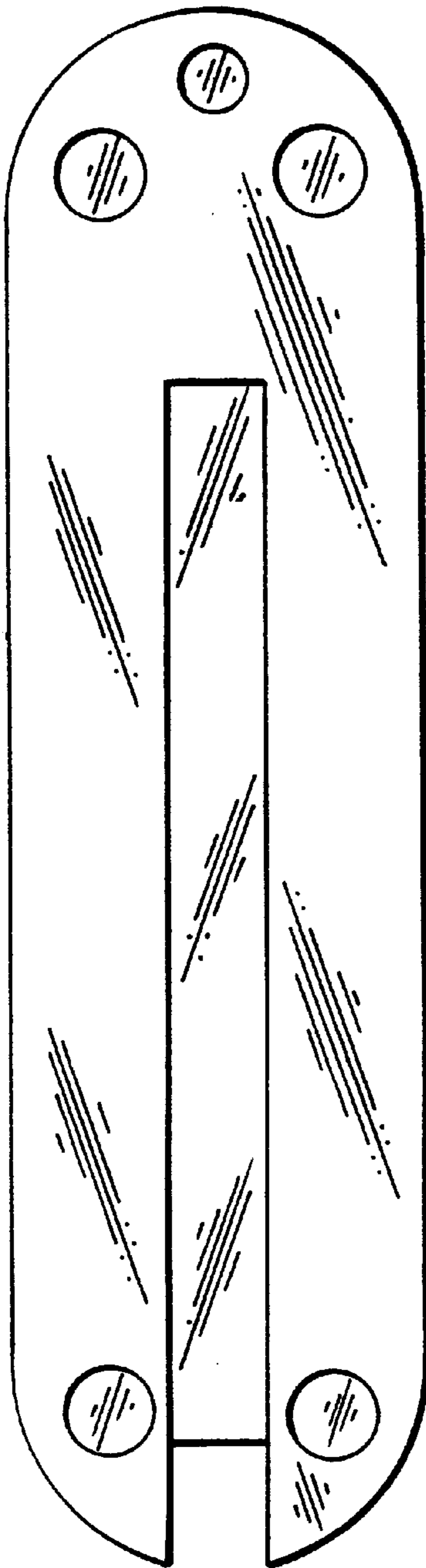


FIG. 9