



US00D434959S

**United States Patent** [19]  
**McCallops et al.**

[11] **Patent Number: Des. 434,959**

[45] **Date of Patent: \*\* Dec. 12, 2000**

[54] **PNEUMATIC TOOL**

[75] Inventors: **John A. McCallops**, Easton; **Kurt E. Ashbaugh**, Walnutport; **John E. Conrad**, Effort, all of Pa.; **Paul K. Metaxatos**, West Hartford, Conn.

[73] Assignee: **Ingersoll-Rand Company**, Woodcliff Lake, N.J.

[\*\*] Term: **14 Years**

[21] Appl. No.: **29/118,528**

[22] Filed: **Feb. 10, 2000**

[51] **LOC (7) Cl.** ..... **08-05**

[52] **U.S. Cl.** ..... **D8/68; D8/61**

[58] **Field of Search** ..... D15/140; D8/61, D8/62, 68, 70, 83, 94, 97, 107, 303, DIG. 7; 81/52, 54, 55, 57, 57.13, 57.26-57.29, 57.39, 177.1, 177.8, 177.9, 177.85, 463, 464, 470, 489; 418/150, 13, 48, 904, 152; 173/90-93, 104, 121, 128, 168, 178, 213, 217; 403/83, 84; 477/174

[56] **References Cited**

**U.S. PATENT DOCUMENTS**

D. 301,496 6/1989 Yonesawa et al. .... D8/68

D. 325,861 5/1992 Saito et al. .... D8/68  
D. 341,761 11/1993 Weimann ..... D8/97  
D. 403,936 1/1999 Sommers ..... D8/68  
D. 412,273 7/1999 Chung ..... D8/62  
4,522,270 6/1985 Kishi ..... 173/217  
4,862,972 9/1989 Sudinshnikov et al. .... 173/121  
5,251,367 10/1993 Ward et al. .... 173/168 X

*Primary Examiner*—Martie K. Holtje  
*Attorney, Agent, or Firm*—Leon Nigohosian, Jr.

[57] **CLAIM**

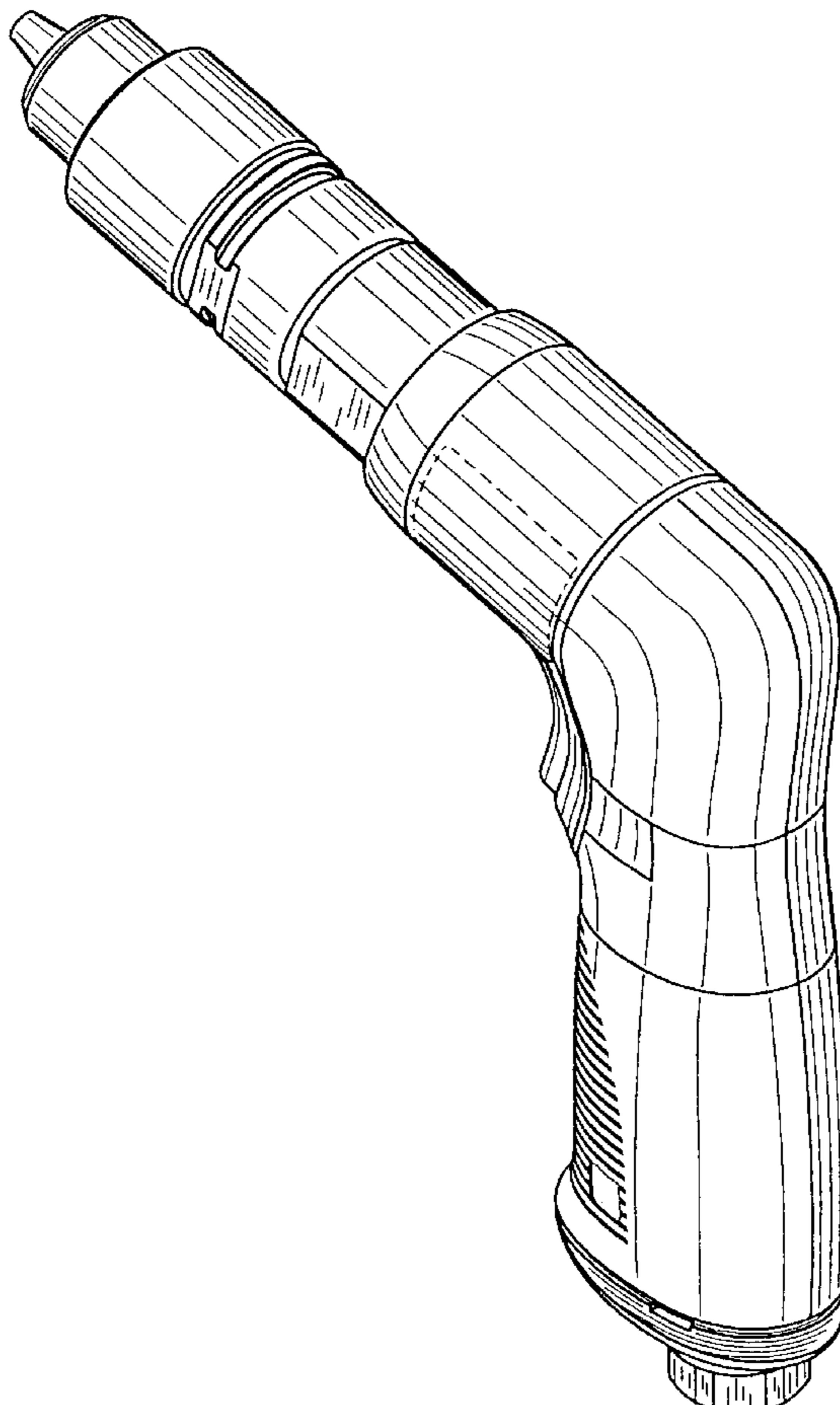
The ornamental design for a pneumatic tool, as shown and described.

**DESCRIPTION**

FIG. 1 is an isometric view of a pneumatic tool showing our design;  
FIG. 2 is a top view of FIG. 1;  
FIG. 3 is a bottom view of FIG. 1;  
FIG. 4 is a right side view of FIG. 1;  
FIG. 5 is a left side view of FIG. 1;  
FIG. 6 is a front elevational view of FIG. 1; and,  
FIG. 7 is a rear elevational view of FIG. 1.

The structural features depicted by means of broken lines in the drawing have been shown for illustrative purposes only and form no part of the claimed design.

**1 Claim, 3 Drawing Sheets**



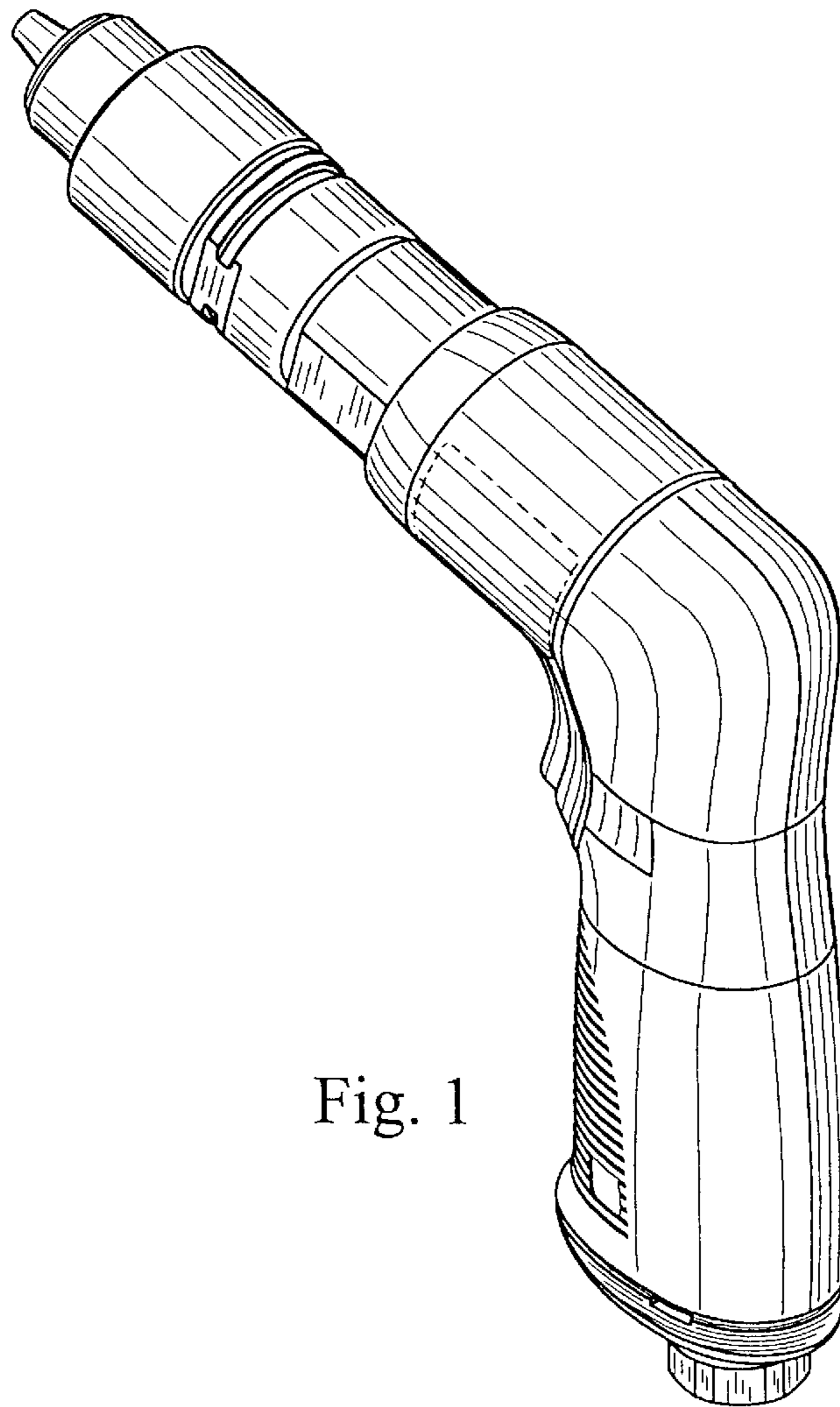


Fig. 1

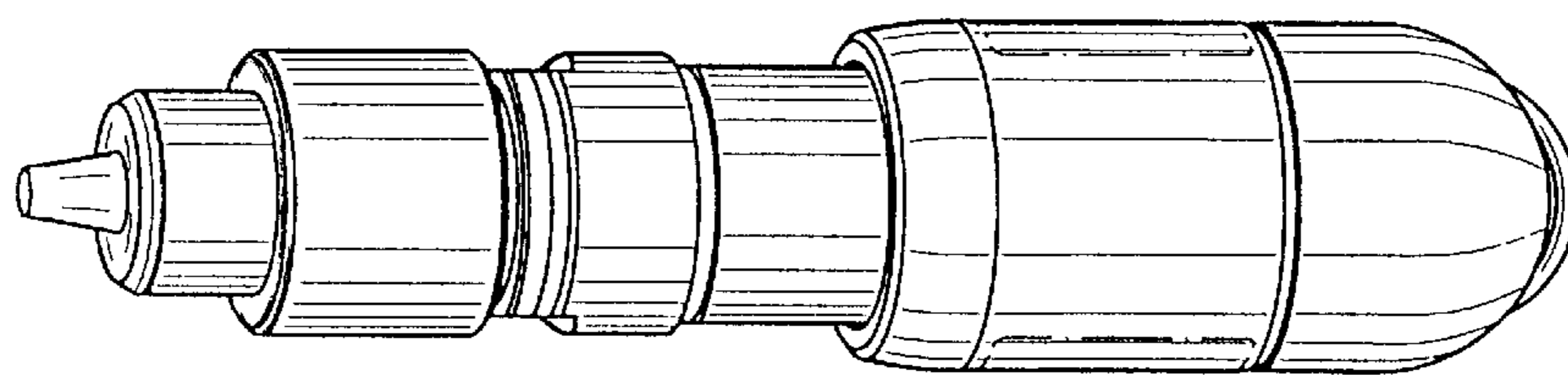


Fig. 2

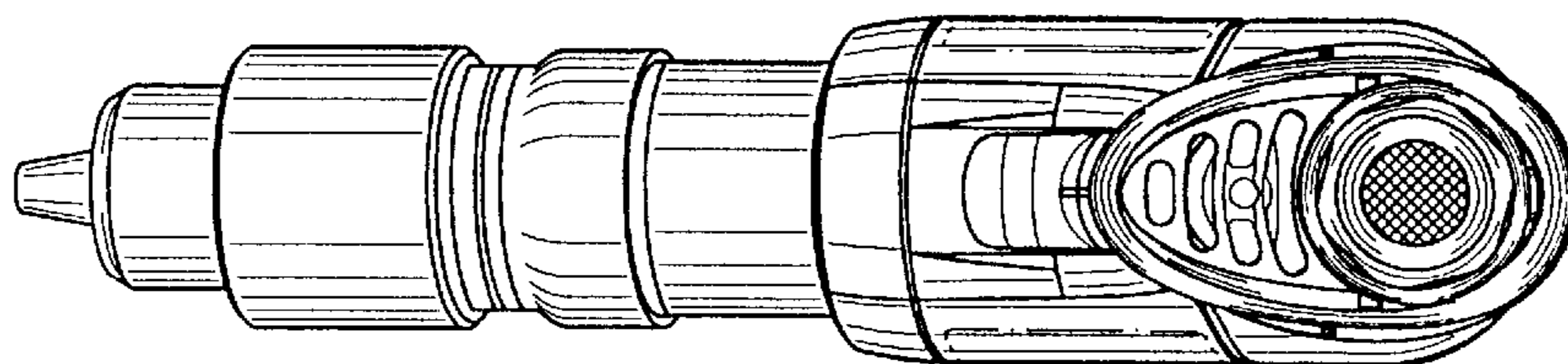


Fig. 3

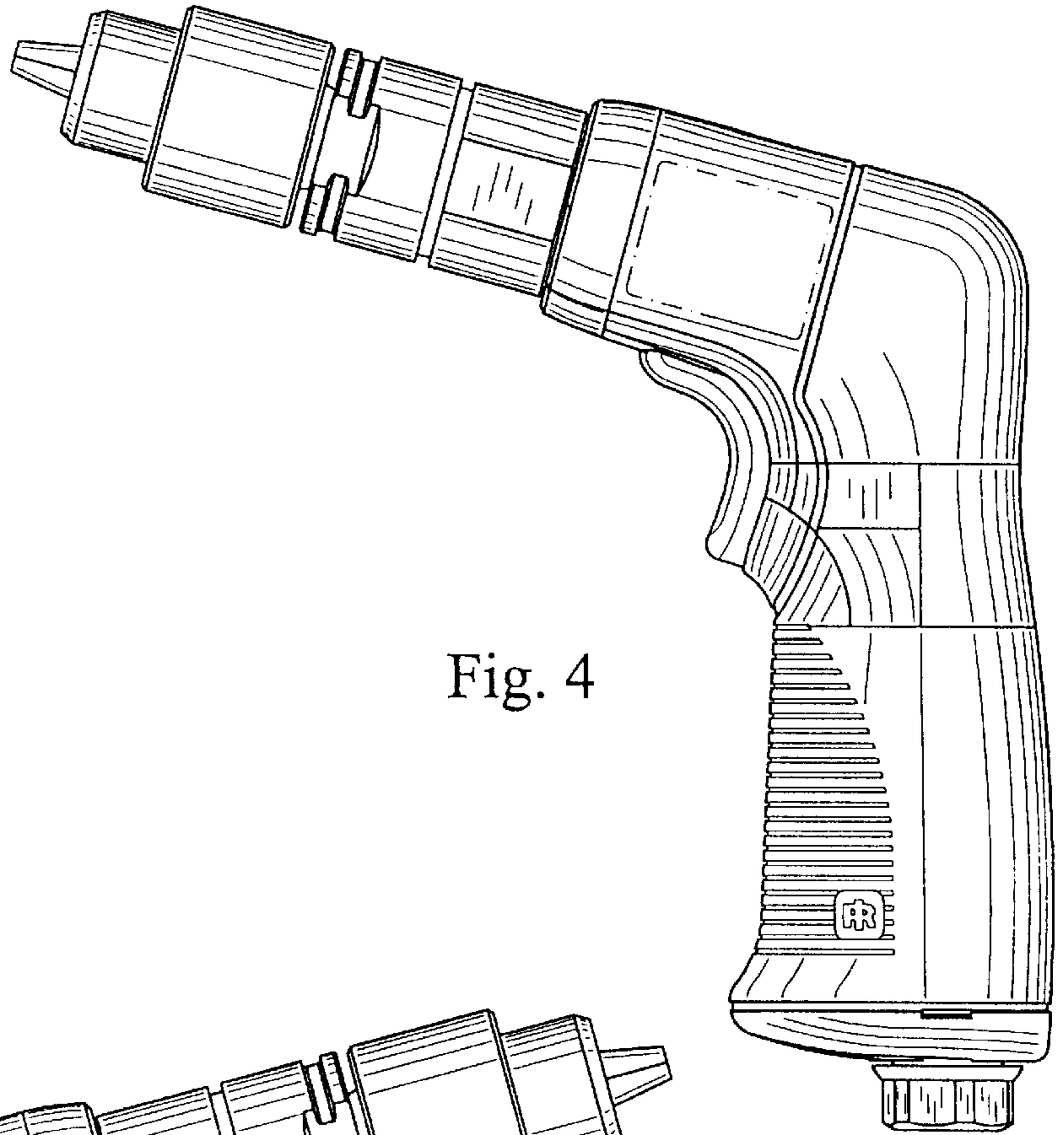


Fig. 4

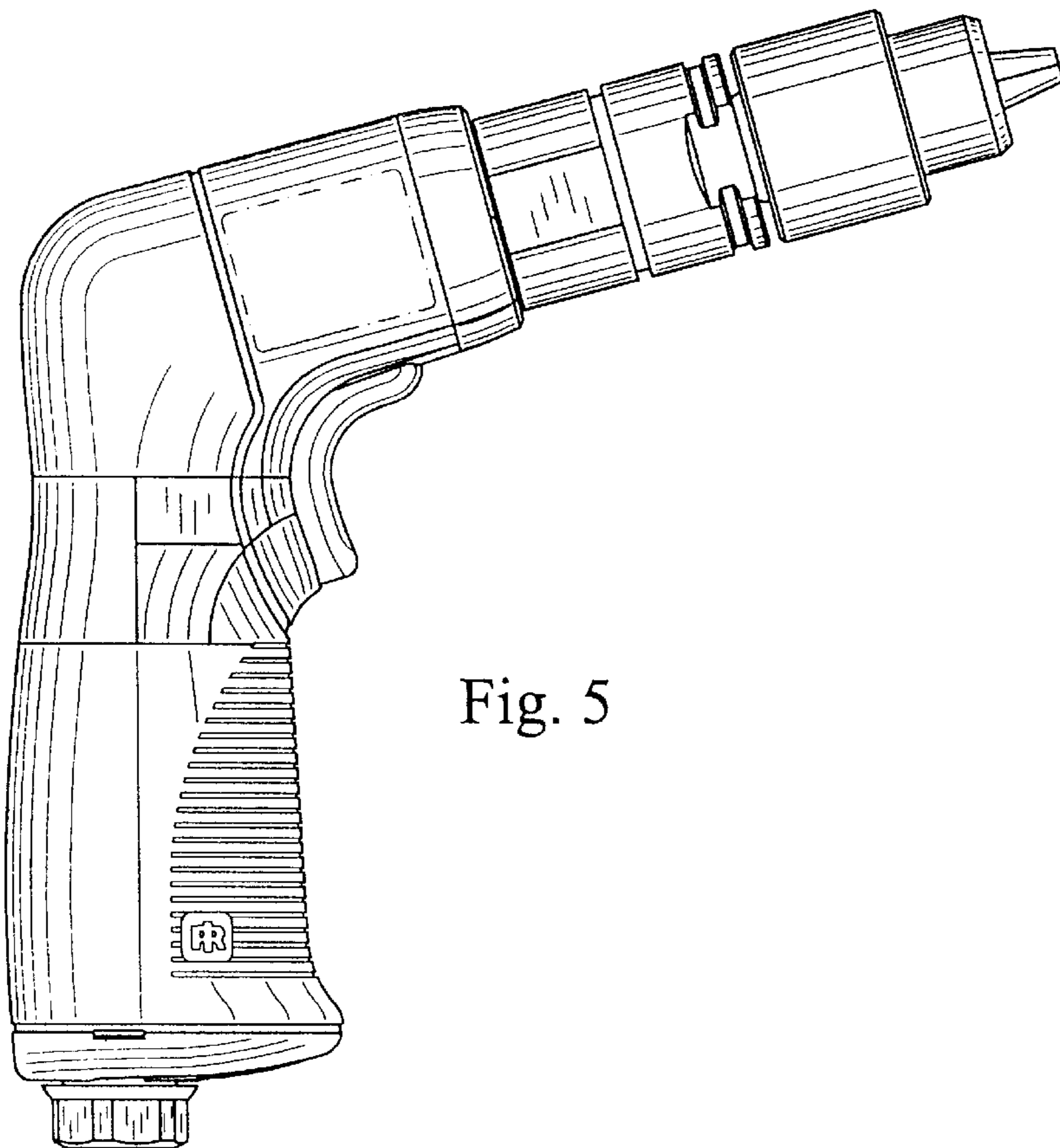


Fig. 5

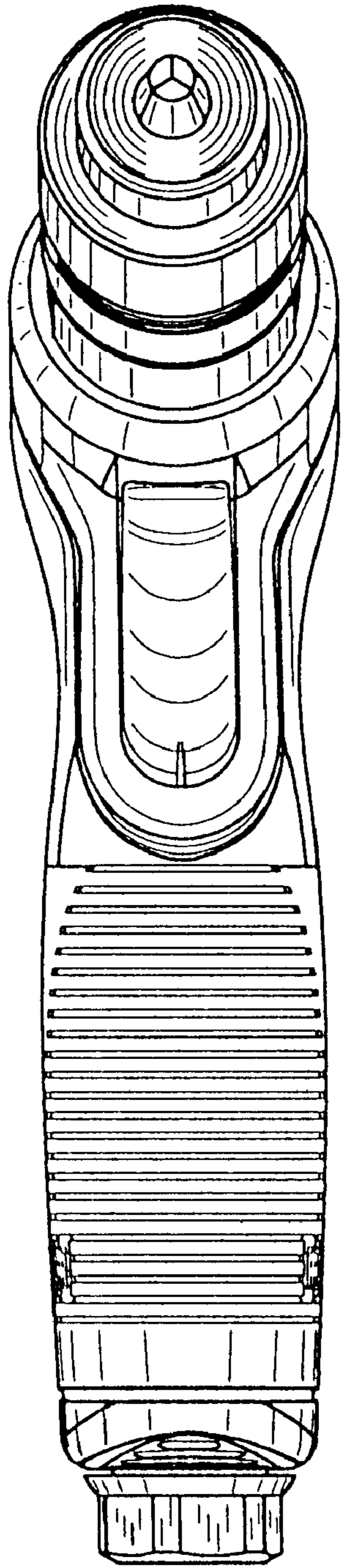


Fig. 6

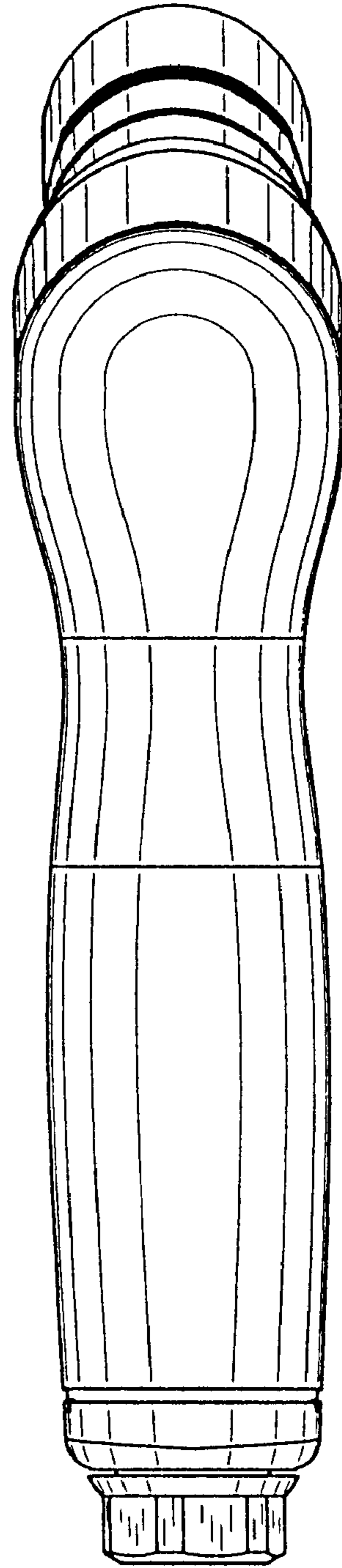


Fig. 7